

Модули, IGBT, Еурес, Infineon, купить в Минске tel. +375447584780
www.fotorele.net www.tiristor.by радиодетали, электронные компоненты
email minsk17@tut.by tel.+375 29 758 47 80 МТС

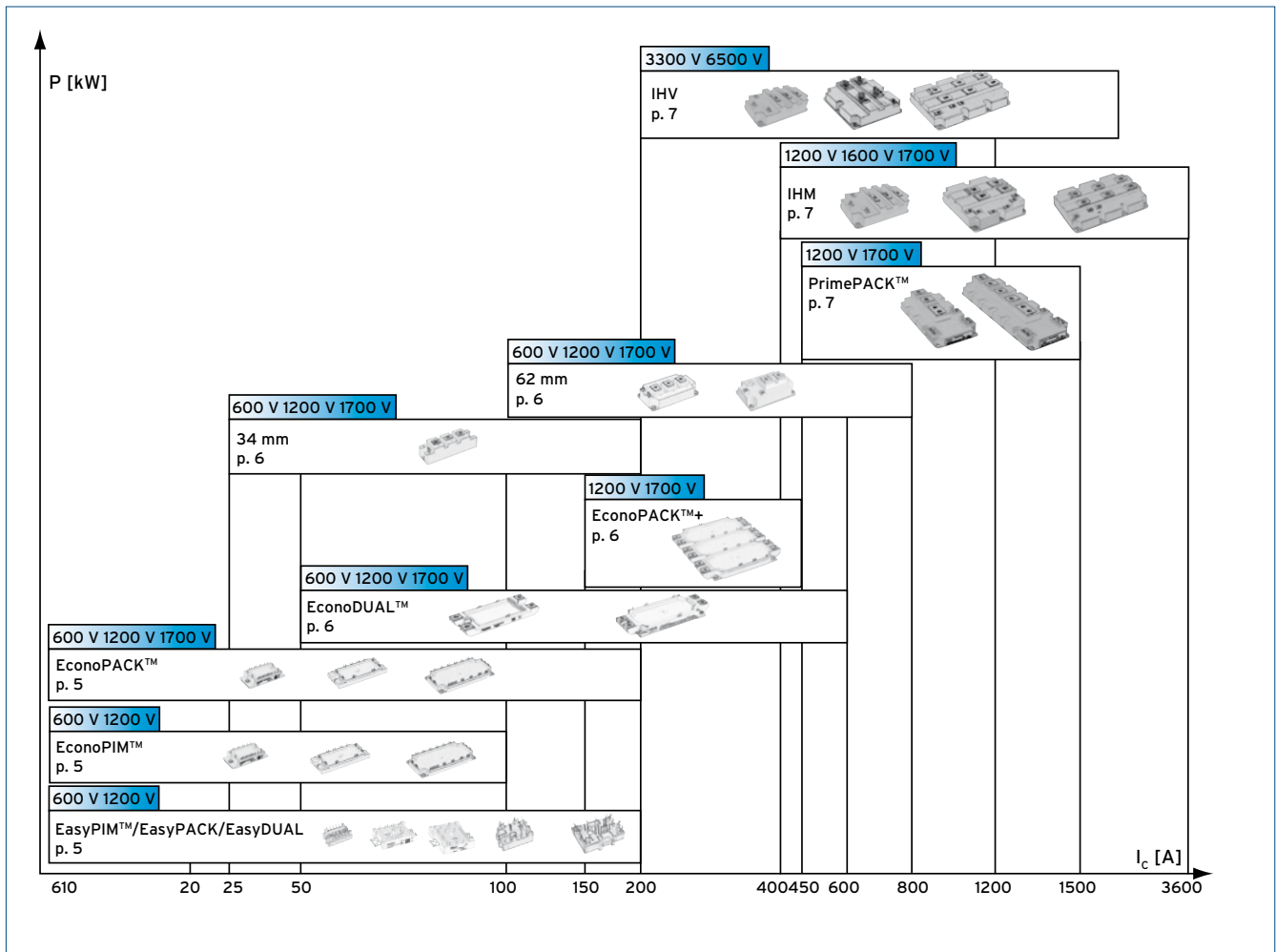
каталог, описание, технические, характеристики, datasheet, параметры, маркировка, габариты, фото

QR код



CONTENT

- Introduction 3
 - ECoDesign..... 3
 - Example standard for electronic motors..... 3
 - Nomenclature 3
 - Package description 4
 - Basics and glossary..... 4
 - Main circuits of IGBT modules..... 4
(Single Switch, SixPACK, Dual or Half-Bridge, PIM)
- Product overview low power modules 5
 - EasyPIM™, EasyPACK, EasyDUAL
 - EconoPIM™, EconoPACK™
- Product overview medium power modules 6
 - 34 mm, 62 mm, EconoPACK™+, EconoDUAL™
- Product overview high power modules..... 7
 - IGBT High Current modules IHM, PrimePACK™
 - IGBT High Voltage modules IHV
- Power electronic modules with higher functionality..... 8
 - MIPAQ™
 - EiceDriver™ IGBT Driver Boards and ICs
- The new pressfit mounting technology 9
- Solutions for industrial drives 10
 - Typical module configurations in low power applications
- Solution for renewable energy systems 11
- Solutions for Uninterruptible Power Supply (UPS) Systems..... 12
- Power converter solutions 13
- Solutions for traction systems..... 13-14



Infineon IGBT Modules

High-Power Semiconductors for Industrial Drives,
Renewable Energy Systems,
Power Supply Systems and Transportation

Infineon's leading edge high power semiconductors are designed to meet the highest demands of standardised and application specific industrial applications in the power range of 0.5 kW up to more than 1 mega watt, such as industrial drives, renewable energy systems, transportation, power supplies and medical equipment.

We offer different types of packages covering all power segments from low, medium and high power. Our chip expertise combined with our many years' package know-how enable you to select the right solution for your applications.

ECODESIGN

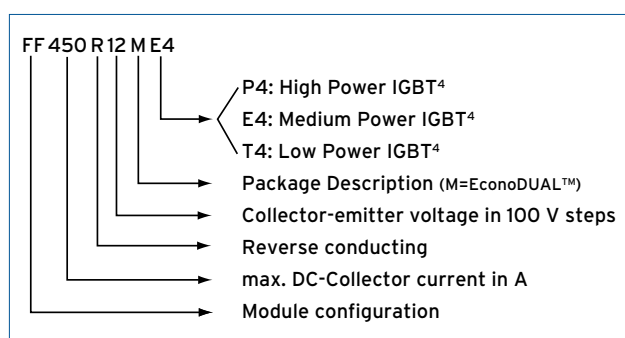
The worldwide demand of electrical energy is growing every year and consumption will increase by more than 60% in the next 20 years. Increased environmental awareness and limited fossil energy resources enforce the use of renewable energy today. This modern and attractive segment ranges from a domestic solar inverter with a few kilowatts up to a wind power or hydro electric power plant with several megawatts. For all these decentralised energy generation systems power semiconductor devices play a key role. They enable the connection of an individual energy generation system to the electric grid and ensure high quality of grid voltage and frequency. The broad Infineon product portfolio provides components for the whole variety of renewable energy systems. The use of Infineon innovative components enables the realisation of highly reliable systems with negligible maintenance costs and high efficiency. We invest our experience in the development of new technologies and products. With innovative solutions like the 4th generation of IGBT technology with trench structures & field stop concept, silicon carbide diodes and CoolMOS™ switches with the highest efficiency, we ensure optimised products for the requirements of our customers.

Example Standard for Electronic Motors

Electric motors today are abundant in industry, businesses, and households. They form an integral part of ventilation systems, office equipment, and transportation systems. In fact, there are hardly any electrical appliances without a motor today. This opens an enormous area for potential savings because 40...60% of the energy consumed in such devices is used by the motor. A recent study by the European Centre for Power Electronics emphasises the importance of mechanical energy use in the EU. In the EU-15 (2004), an amount of 1.33 TWh was consumed in this area alone with 50% used by industry, 25% by trade and services, 20% in households, and 4% in transport. 20% of the electric drives are used in pumps, 18% in ventilators, and 17% in aerial compressors. Let us consider pumps as just one simple example. Pumps are ubiquitous both in industry and households, from heating to ventilation and often operating for 24 hours per day. The savings potential with the use of more efficient pumps is huge – nearly 40% – when compared to conventional pumps, mostly due to improved system control.

This clearly shows that the most important lever to pull is improving system control. This also shows that in the case of motors, the whole system needs to be taken into account. What is exemplified here for pumps also is feasible for all other systems using motors. For industrial drives in the power range from 100...4 MW, variable speed drives can typically save 40% energy with respect to direct grid connected motors. In order to achieve this, inverters for speed control and power electronic components are key. These improved systems not only exhibit lower consumption of electrical energy, but also offer reduced wear and unnecessary stress for materials and machines. The resulting reduction in mechanical dimensioning includes further savings in costs and resources. Process optimisation through optimised speed and clock adaptation and relief of process control through decentralised systems are further advantages.

NOMENCLATURE



Module Configuration

- BSM: Switch with IGBT and FWD
- BYM: Diode Module
- DD: Dual diode Module
- FB: Integrated modules in B2 configuration with IGBT & NTC
- FD/DF: Chopper module
- FF: Half Bridge (two IGBTs and FWDs)
- FP: Power Integrated Module
- FS: SixPACK
- FZ: Single switch with one IGBT and FDW
- F4: FourPACK

PACKAGE DESCRIPTION

#	Package	Configuration
H	IHM/IHV B series	IHM/IHV also 3.3 kv and 6.5 kv
I	PrimePACK™	PrimePACK™
K	K-Module	34 & 62 mm modules, EconoPACK™ 2 and 3, EconoPIM™ 2 and 3, EconoPACK™+, IHM
M	EconoDUAL™	EconoDUAL™ 2, EconoDUAL™ 3
N	Econo	EconoPACK™2, EconoPIM™ 1, 2 and 3
P	Econo 4	eupec™ EconoBRIDGE™, MIPAQ™
V1	Easy 750	EasyPIM™, EasyPACK750
W1	Easy 1B	EasyPIM™1B, EasyPACK1B, EasyFourPACK1B
W2	Easy 2B	EasyPIM™ 2B, EasyPACK2B
X	Easy1	EasyPIM™1, EasyPACK1
Y	Easy2	EasyPIM™ 2, EasyPACK2, EasyDUAL2

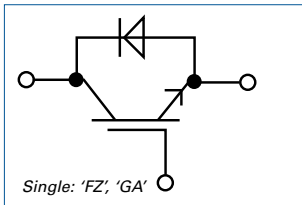
BASICS AND GLOSSARY

AC Alternating current
AISC Aluminum Silicon Carbide

CNC Computer Numeric Control
CTI Comparative Tracking Index
DC Direct current
FWD Freewheeling diode
IGBT Insulated gate bipolar transistor
IHM IGBT high power module
IHV IGBT high voltage module
LTT Light Triggered Thyristor
NF Noise figure
NTC Temperature sensor with negative temperature coefficient
PIM Power Integrated Module
RBSOA Reserve bias safe operation area
SCR Silicon Controlled Rectifier
SMPS Switching mode power supply
SOA Save operation area
SVARC Static voltage and reactive control

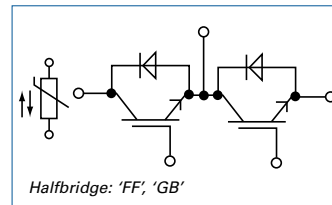
MAIN CIRCUITS OF IGBT MODULES

Single Switch Module



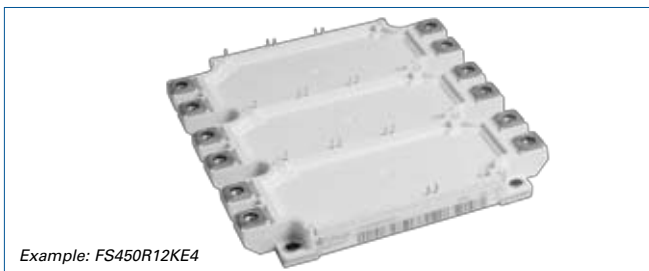
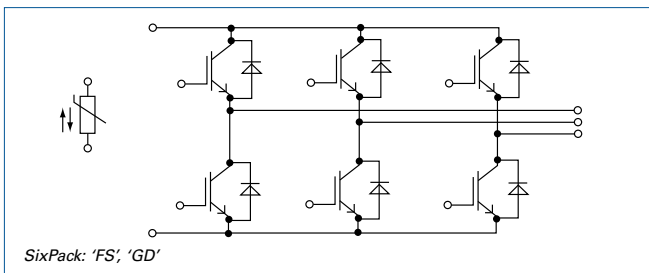
The single switch modules consist of one IGBT and one FWD. Typically used in high current application.

Dual or Half-Bridge Module



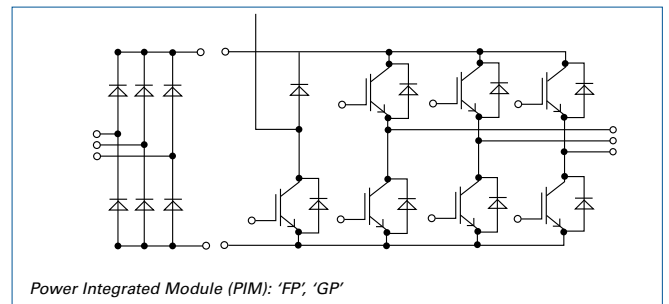
The dual switch modules consist of two IGBT and two FWD. Some modules are including an NTC.

SixPACK Module



The SixPACK modules consist of six IGBT and six FWD. Some modules are including an NTC.

PIM Module



The PIM modules consist of six IGBT, six FWD for the inverter part and six rectifier diodes. Some modules are including an brake chopper made by an IGBT and a diode and some modules are including an NTC.

PRODUCT OVERVIEW LOW POWER MODULES

Our low Power modules in Easy and Econo designs were developed in order to have a more cost effective compact design as well as a simplified and reliable mounting. Both product families are available with the well known solder or the new state-of-the-art PressFIT connections.

The Easy family with different configurations like EasyPIM™, EasyPACK, and EasyDUAL covers a full product scope in the power range from I_c 6 A up to 200 A at 600/1200 V. These modules without base plates are equipped with screw clamps for a new, fast, reliable and low cost mounting concept. With reduced height from 17 mm to 12 mm and injected mounting screw clamps, the new Easy 1B and Easy 2B housings are the optimal choice. The Econo family extends the power range from I_c 10 A up to 200 A at 600/1200/1700 V. The available configurations are the well known EconoPIM™ and EconoPACK™ series. The Econo housing is with copper base plate for optimised heat spread and includes a Thermistor (NTC). Beside the standard planar IGBT chip technology for low switching losses, saturation voltage and high switching frequency, both module families are available with the optimised newest IGBT⁴.

EasyPIM™, EasyPACK, EasyDUAL

Product Range

- 600 V, 6...200 A
- 1200 V, 10...150 A

Circuit Design

- Bridge rectifier
- PIM
- FourPACK, SixPACK
- Dual, halfbridge

Applications

- Air-conditioning
- Household appliances
- General purpose drives from 150 W...30 kW
- Pumps, fans
- Uninterruptible power supplies

Features

- Compact module concept
- High reliability and power density
- PressFIT technology available
- Configuration flexibility
- Low cost design of modules
- Modules without base plates
- Easy's with clamping system
- Latest IGBT⁴ 1200 V chip technology with t_{jop} of 150 °C
- IGBT 600 V with t_{jop} of 150 °C
- High automated production line
- RoHS compliant

EconoPIM™, EconoPACK™

Product Range

- 600 V, 10...200 A
- 1200 V, 10...150 A
- 1700 V, 50...100 A

Circuit design

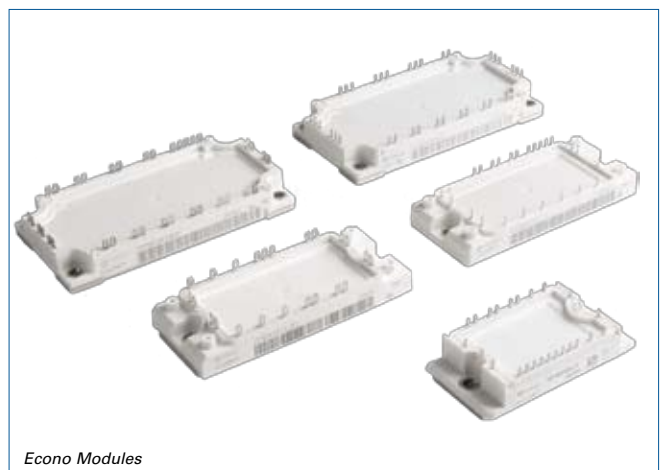
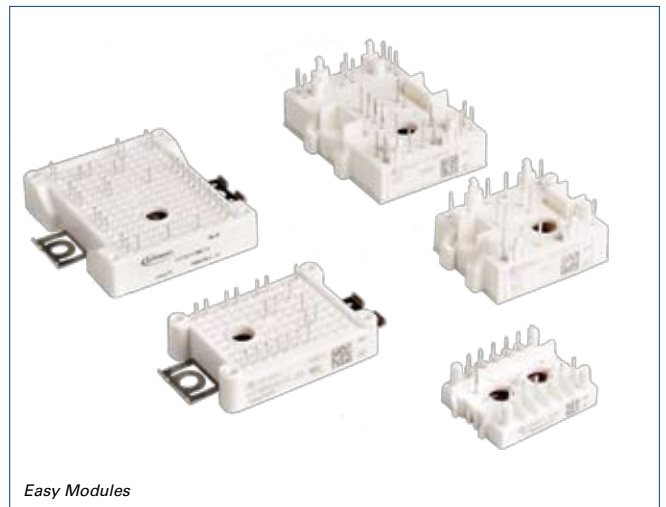
- PIM
- FourPACK, SixPACK
- TriPACK
- 12PACK
- Shunt modules
- SixPACK active front-end

Applications

- Variable speed drives
- Uninterruptible Power Supplies
- Welding
- Inductive heating
- Renewable energy systems

Features

- Modules with copper baseplate
- Optimised heat spread
- Included thermistor (NTC)
- High reliability and power density
- Latest IGBT⁴ chip technology



PRODUCT OVERVIEW MEDIUM POWER MODULES

Our well know 34 mm and 62 mm standard IGBT modules are available in various configurations like Single Switch, Half Bridge, Chopper and Diode modules. Besides the standard Planar IGBT chip technology for low switching losses, saturation voltage and high switching frequency, the 62 mm modules are also available with the optimised IGBT⁴ KE4 Trench with Field Stop or with the fast IGBT⁴ KT4 for higher switching frequency. The power range covers current ranges from I_c 50 A up to 800 A at 600/1200/1700 V.

The EconoPACK™+ and EconoDUAL™ modules combine 17 mm height and leading edge IGBT technology for highest power density and inverter applications in the power range from 20...200 kVA and above. A key issue for parallel operation is the symmetrical design of the module, resulting in an optimised current sharing on the IGBT legs. This concept allows to create one inverter design for all line voltages up to 690 V_{AC}. The EconoPACK™+ and EconoDUAL™ product lines offer the complete current range from I_c 50 A up to 600 A at 600, 1200 and 1700V.

34 mm, 62 mm, EconoPACK™+, EconoDUAL™ Modules

Product Range

- 34 mm, 62 mm modules
 - 600 V, 50...400 A
 - 1200 V, 25...800 A
 - 1700 V, 50...600 A
- EconoPACK™+
 - 1200 V, 150...450 A
 - 1700 V, 150...450 A
- EconoDUAL™ 2
 - 600 V, 200...400 A
 - 1200 V, 50...200 A
- EconoDUAL™ 3
 - 600 V, 450...600A
 - 1200 V, 150...450 A
 - 1700 V, 150...450 A

Circuit Design

- 34 mm, 62 mm modules
 - Single half-bridge
 - Chopper modules
 - Diode modules
 - Single switch with series diode

EconoPACK™+, EconoDUAL™

- SixPACK
- Dual modules
- FourPACK

Applications

- Variable speed drives
- Uninterruptible power supplies
- Resonant converters
- Welding applications

- Renewable energy systems
- Inductive heating

Features

- High reliability
- Full product range in various configurations
- Latest IGBT⁴ chip technology for maximum power density and best power cycling capability
- Symmetrical construction for even and low stray inductance
- EconoDUAL™ module concept enables more compact inverter designs
- RoHS-compliant



PRODUCT OVERVIEW HIGH POWER MODULES

The new PrimePACK™ IGBT module presents a specially optimised concept for integration in modern converters. The most important benefits are improved thermal properties, low stray inductance, and a wide range of operating temperatures. In combination with an advantageous interface to both, driver board and load circuitry, a powerful, compact, and modular converter concept can be realised.

With the introduction of the IHM/IHV housing, we established a standard for high power IGBT modules which was adopted by all well known manufacturers and used in countless applications all over the world. Under permanent load in daily demanding use of transportation applications or in rough environments like industrial inverters and also in wind turbines, the IHM/IHV modules convince with their high reliability and robustness.

The IHM/IHV product group covers all possible inverter power sizes as Single switch, Halfbridge, Chopper and Diode modules in the voltage range from 1200 V up to 6500 V and current ratings from I_c 200 A up to 3600 A.

IGBT High Current Modules IHM, PrimePACK™

Product Range

- IHM
 - 1200 V, 400...3600 A
 - 1700 V, 400...3600 A
- PrimePACK™
 - 1200 V, 450...1400 A
 - 1700 V, 450...1000 A

Circuit Design

- Single
- Halfbridge
- Chopper modules
- H-bridge
- SixPACK
- Diode modules

Applications

- Variable speed drives
- Commuter trains
- Tramways and trolley buses
- Welding applications
- Medical X-ray technology
- Uninterruptible power supplies
- Renewable energy systems
- Inductive heating

Features

- High power density for compact converter designs
- Modules setting a world standard in their class
- Broad range of products
- Increased creepage and clearance for use in rough environments
- Good saturation and switching characteristics with wide RBSOA

- Robust module design
- IHM B-Series and PrimePACK™ are RoHS compliant
- IHM A and IHM B-Series are offered with Copper and AlSiC baseplate: Copper baseplate for industrial drives, AlSiC for traction application

IGBT High Voltage Modules IHV

Product Range

- 3300 V, 200...1500 A
- 6500 V, 200...750 A

Circuit Design

- Single
- Dual
- Chopper modules
- Diode modules

Applications

- Industrial drives for medium AC voltage
- Traction (commuter trains, locomotives as well as rapid trains)
- Large drives

Features

- High power density for compact converter design
- AlSiC base plate for highest reliability and high power cycling capability
- Increased creepage and clearance for use in rough environments
- Package material with CTI up to 600
- IHV B-series, the second generation with operating temperature up to 150 °C available
- Lightweight materials for reduction of overall converter weight
- Extended DC stability



IHM, IHV and PrimePACK™ Modules

POWER ELECTRONIC MODULES WITH HIGHER FUNCTIONALITY

The new MIPAQ™ family of Infineon is offering Modules Integrating Power, Application and Quality. One of the first family members is MIPAQ™ base which provides an IGBT SixPACK with integrated shunts. Due to the integration of specially designed shunts, the performance of this module family with regard to system cost is excellent.

These modules in SixPACK configuration with NTC are available in the well-proven EconoPACK™ 3 housing with 75 A, 100 A and even 150 A nominal current. The integrated shunt for current measurement makes current sensors or external shunts redundant. While external shunts can generate significant heat on the inverter's PCB, the integration of shunts into the IGBT module allows an improved distribution of heat to the heat sink. External current sensors are often quite costly and require valuable space. Thus, MIPAQ™ base shunt modules save space, reduce system cost, help to manage the temperature on the PCB while allowing very high measurement accuracy.

Infineon's IGBT⁴ technology makes it possible to increase the power density of IGBT modules. This is how MIPAQ™ base shunt modules featuring IGBT⁴ can be realised up to 150 A nominal current in 1200 V for the SixPACK configuration with NTC resistor for temperature sensing. IGBT⁴ does not only provide approx. 20% lower switching losses than IGBT³ but also a significantly higher power cycling capability. The operation junction temperature of IGBT⁴ is 150 °C offering even more output power and more reliability for a variety of applications.

Hence, MIPAQ™ base supports our customers in mastering the challenge of designing powerful and compact inverters at low costs, contributing to energy savings to improve profitability and protect our environment at the same time.

By using MIPAQ™ base, the application will benefit from eliminating large external shunts and hotspots on the PCB. MIPAQ™ base will allow an easy and highly reliable phase current measurement.

Applications

- Industrial drives
- Ideal for inverters used in machine tools

Key Benefits

- Compact modules with a height of only 17 mm
- Well-proven Econo design
- SixPACK configuration with shunts and NTC
- Allows accurate current measurement
- Up to 150 A nominal current
- Saves space and system cost
- Ideal for low inductive system designs
- 150 °C operation junction temperature
- Excellent power cycling capability
- High power density for compact inverter designs
- UL/CSA Certification by UL1557 E83336
- RoHS compliant
- Improved reliability
- Better thermal cycling and thermal shock test capability

- Product range: 1200 V
- Optimised thermal heat spread



EICEDRIVER™ IGBT DRIVER BOARDS AND ICs

2ED300C17-S/ST

Features

- For 1200/1700 V IGBT modules
- V_{CEsat} monitoring 'Soft shut down' for fault conditions
- Safe electrical isolation according to EN 50178
- Integrated DC-DCSMPS 8 W
- High peak output current 30 A
- ± 15 V secondary drive voltage

Applications

- Traction
- Large drives
- Distributed power
- Other applications > 100 kVA
- Renewable energy systems

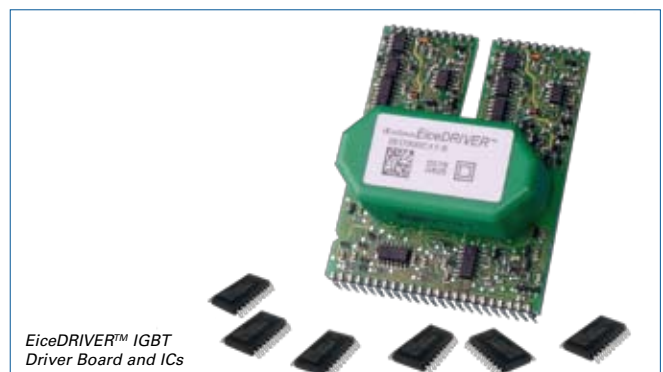
2ED020I12-FI

Features

- Fully operational to 1200 V
- Gate drive supply range from 13...18 V
- Gate drive currents of +1 A/-2 A
- Matched propagation delay for both channels
- High dV/dt immune
- General purpose operational amplifier
- General purpose comparator

Applications

- General purpose drives
- Other applications up to 15 kVA



THE NEW PRESSFIT MOUNTING TECHNOLOGY

Infineon's new PressFIT technology offers the possibility for reliable, solderless mounting of power modules, meeting the nowadays demands of lead free technology. According to the RoHS directive, since 2006 most lead containing solder alloys have to be replaced by lead free solders. This results in higher melting point solders and lead free tin metallisation of the PCB, which has significant effects on the mounting process.

PressFIT technology is one possibility for lead free solderless mounting of power modules and reduces the mounting time of the assembly. For lower currents, different pin geometries for Easy and Econo with different plating materials have been developed. The low electrical and thermal contact resistance enables the use of the contact for a wide range of currents and applications, while the current carrying capability is not limited by the contact resistance. Environmental tests show that vibration loads and climate sequences have no negative influence on the contact resistance. This results from the gastight contact and high contact force. The high holding forces of the contact are independent to the PCB hole tolerances. This reduces the effort for mechanical fixing similar to solder connections.

The PressFIT process can be separated from soldering and allows module mounting on soldering and component side of PCB. This increases the design flexibility. Additionally the module mounting process can be separated from the soldering process of the PCB. The high reliability of PressFIT contacts in general promises to increase the system reliability. This is especially of interest, if modules are operating in harsh environments.

Quality of PressFIT modules

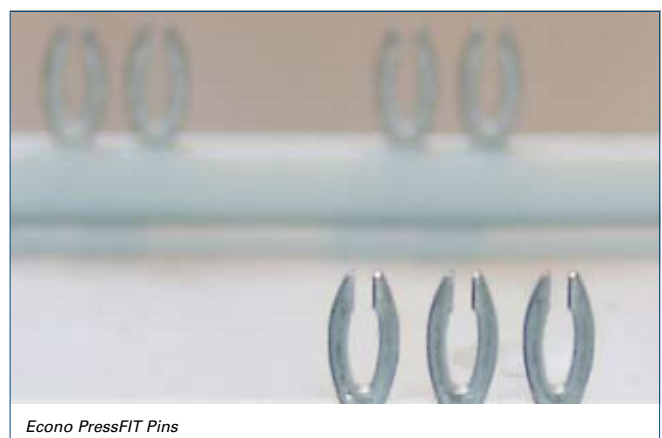
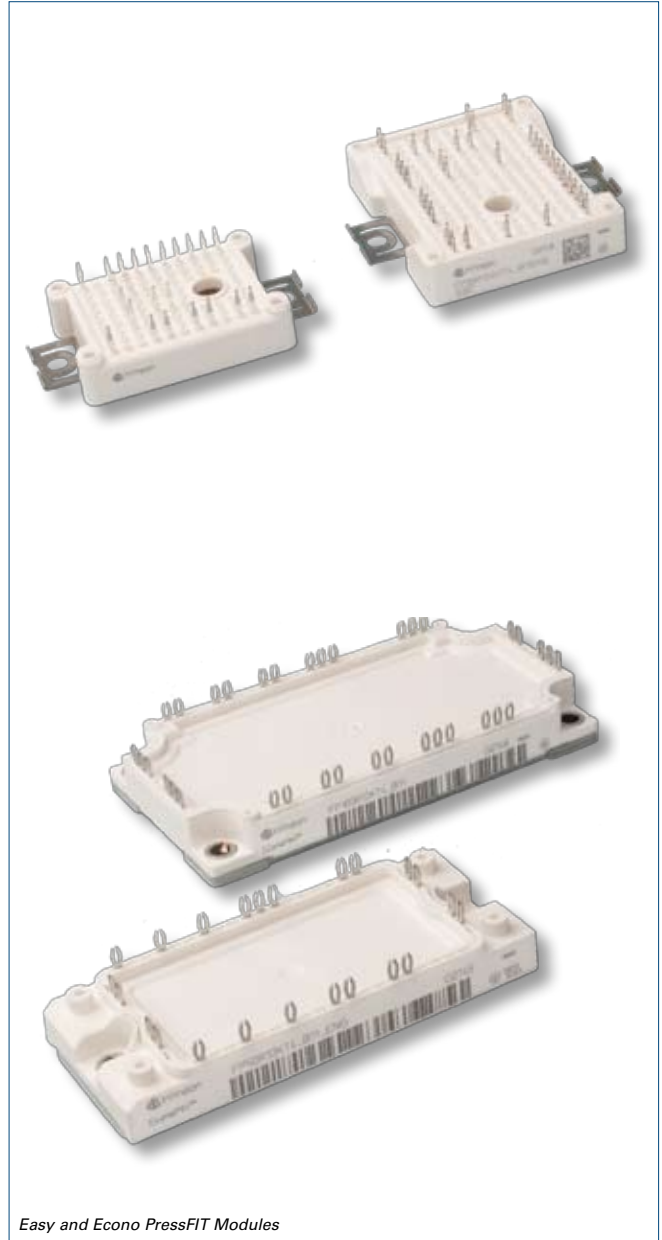
A lot of tests regarding the application of the PressFIT technology and its reliability in power modules have been performed according to the well known IEC standards (e.g. IEC 60352-5), but with enhanced conditions. The result of the whole program can be concluded as follows: Not one of the tests caused any measurable contact degradation. The resistance of the connection, which is the leading value for the quality of the connection, is very stable during and after several loadings. This means not only that high current can be handled safely over the lifetime, but also the advanced integrated functions with low voltage and current (e.g. current sensing) will be kept absolute stable beyond the lifetime of the system. Due to this, the PressFIT technology is well suited for the application of power semiconductor modules – especially for future requirements of higher reliability.

Features

- PressFIT saves process time
- Reliable cold welding connection of module pins and PCB
- Low ohmic resistance
- Module mounting possible on soldering and component side of PCB
- Established technology in automotive, communication and industrial applications
- Decrease of FIT-rate

Applications

- Industrial drives
- UPS/Power supplies
- Solar inverter
- Aircondition
- Welding
- Inductive heating



SOLUTIONS FOR INDUSTRIAL DRIVES

Introduction

Electrical drives systems play a key role in saving energy. They account for two-thirds of industrial power requirements and they are a central feature of automation systems. In industrial drive technology, two different groups can basically be distinguished. Driven machines requiring an electronic speed control system for process technology reasons form one group. This group includes, for example, machine tools and metering machines. The second group, to which pumps and fans belong, can also be operated without speed control. With regards to this second group, energy-wasting mechanical throttling systems are still being used today in many cases. Here, there is great potential for saving energy

with electronic speed control systems (Variable Speed Drives) and for increased performance. VSDs are available for all power levels, from just a few watts up to several thousand kilowatts. Control and information electronics are still improving and so are the power semiconductors. The dynamic performance of a drive with electronic speed control meets the highest requirements. Infineon's leading edge high power semiconductors are designed to meet the highest demands of standardised and application specific industrial applications in the power range of 0.5 kW up to more than 1 giga watt, such as industrial drives, renewable energy systems, transportation, power supplies and medical equipment. We offer different types of packages covering all power segments from low, medium and high power.

Applications and Configurations



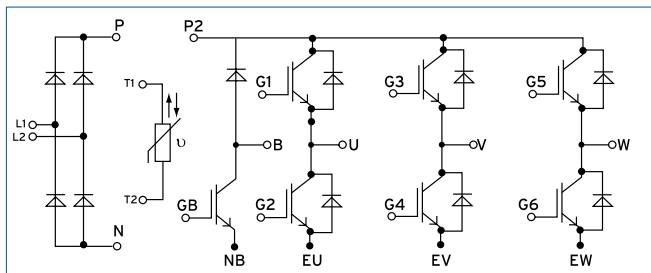
Low Power Modules
750 W...22 kW

Medium Power Modules
18.5...500 kW

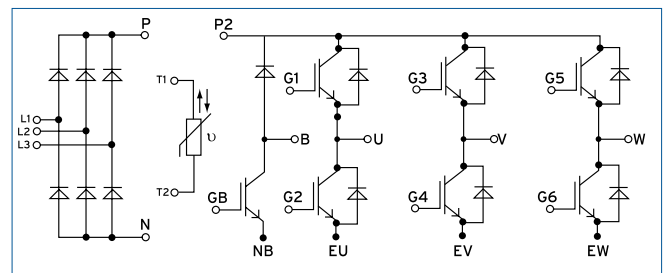
High Power Modules
160 kW...>1 MW

Typical Module Configurations in Low Power Applications

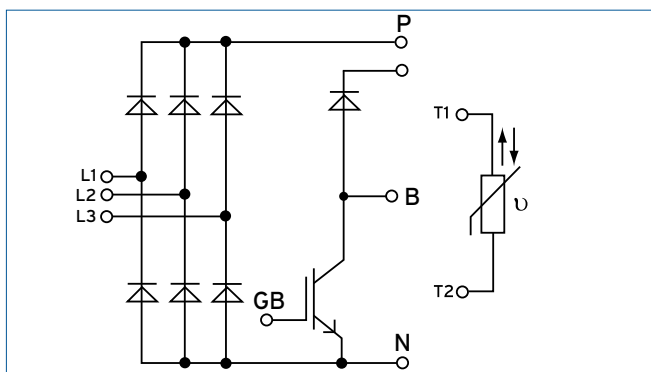
Schematic Single Phase-PIM + NTC



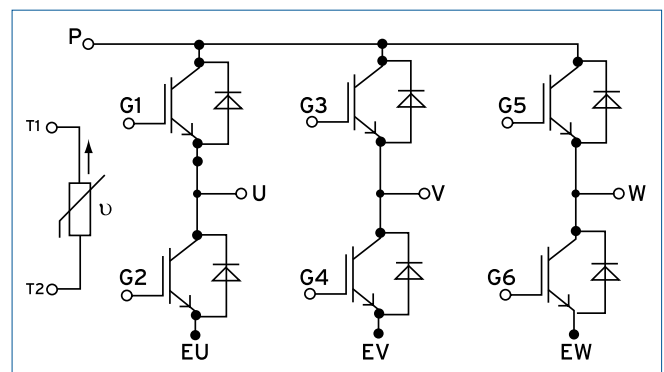
Schematic Three Phase-PIM + NTC



Schematic Diode Bridge + Chopper



Schematic SixPACK + NTC



SOLUTIONS FOR RENEWABLE ENERGY SYSTEMS

Applications and Configurations



Product Overview

Class	Type	Blocking Voltage	Current Range
Low Power IGBT Modules	EasyPIM™, EasyPACK, EasyDUAL, EasyBRIDGE™ EconoPACK™, EconoPIM™, eupec™, EconoBRIDGE™	600 V 1200 V 1700 V	6...200 A
Medium Power IGBT Modules	34 mm, 62 mm, EconoPACK™ 4, EconoDUAL™, EconoPACK™+	600 V 1200 V 1700 V	50...900 A
High Power IGBT Modules	PrimePACK™ 2 and 3	1200 V 1700 V	450...1400 A 450...1000 A
	IHM	600 V 1200 V 1700 V	200...1200 A
	IHV	3300 V 6500 V	450...1400 A
Stacks and Assemblies	PrimeSTACK	600 V 1200 V 1700 V	100...1200 A
	ModSTACK™	200...1100 V	220...650 A
High Power Bipolar Discs	Presspack Thyristors and Diodes	200...9000 V	100...8400 A
High Power Bipolar Modules	Thyristors and Diode Modules	1200...4400 V	60...1100 A
Driver	EiceDRIVER™ ICs EiceDRIVER™ Boards	600...1200 V 600...1700 V	6...100 A 400...3600 A

Great Opportunities

- High energy efficiency and reliability
- Reduced maintenance efforts
- Lowest power consumption
- Compact design
- Increased flexibility
- Optimised networking
- Easy scalability

Summary

Solutions for renewable energy systems present many challenges and requirements but also opportunities. In addition there is the strong demand for cost saving and fast time-to-market while reducing the design cycles and making use of technical support from the supplier. For this it is essential to get reliable and appropriate components and solutions or design-in support.

SOLUTIONS FOR UNINTERRUPTIBLE POWER SUPPLY (UPS) SYSTEMS

Introduction

UPS Systems are in use in many areas, including:

- Telecommunications
- Computer systems in banks and insurance companies
- Process supply, e.g., in the chemical and petrochemical industries
- Aviation, air traffic control, traffic management
- Security lighting for escape and emergency routes in meeting halls, hotels, sports facilities, workplaces, schools and local authority buildings
- Power supply in the hospital field, in operating rooms and intensive care units as well as examination and treatment equipment

Uninterruptible Power Supply (UPS) systems ensure a constant supply of power to devices and protect critical operating equipment that is vulnerable to any loss of voltage. They guarantee the power supply to the devices if the main power fails for any length of time and if it is briefly interrupted. UPS systems at the same time protect sensitive equipment using a filter function and shield it from voltage distortions and fluctuations in frequency or amplitude.

UPS systems are installed in the circuit between the main supply and the application. If the mains supply fails, the equipment continues to be supplied from energy stored in battery arrays or flywheels, without any interruption. In the private field as well, securing the power supply to PCs, UPS Systems are finding more and more applications. A major reason for their use is that they avoid the costs that would occur if the main supply to the equipment fails.

- Waiting times for personnel and customers
- Running up computer systems
- Downtime in production
- Shortfalls in product quality
- Danger to people and property

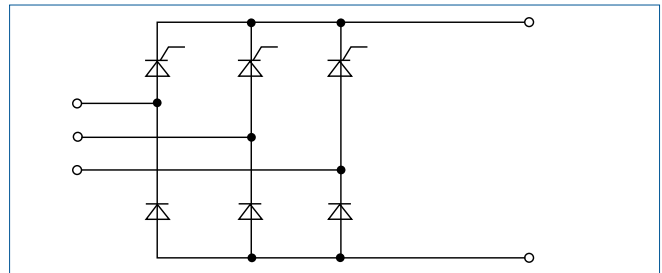
The Requirements for Semiconductors

- Low loss
- Good overload behavior
- Good short-circuit behavior
- Easy to install and connect
- Simple to control

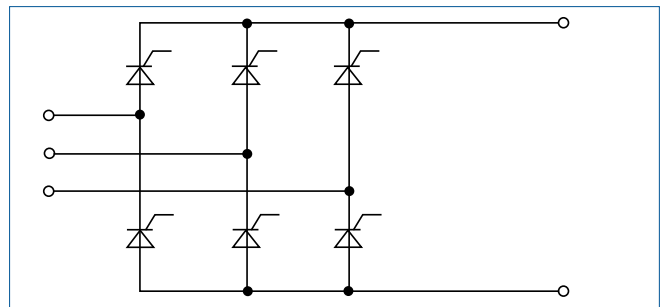
In order to be able to provide all the properties that are required at a UPS system, the components contained in it must be selected carefully and exactly in line with the application and the desired costs. The criteria above apply to the requirements for the high-performance semiconductor.

Typical Configurations

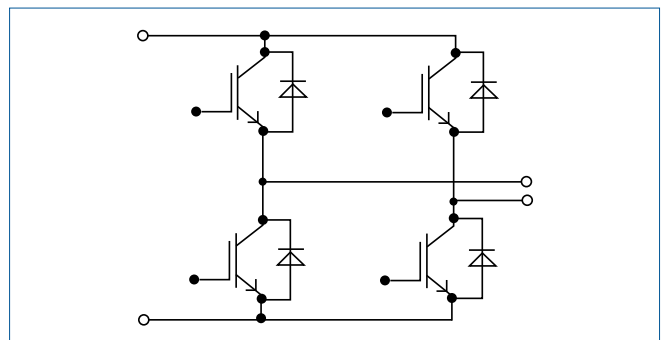
3-Phase Bridge Rectifier Half Controlled



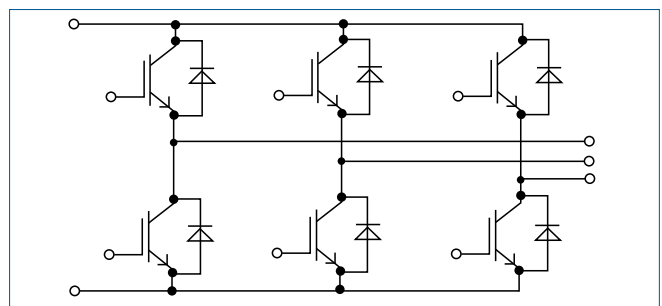
3-Phase Bridge Rectifier Fully Controlled



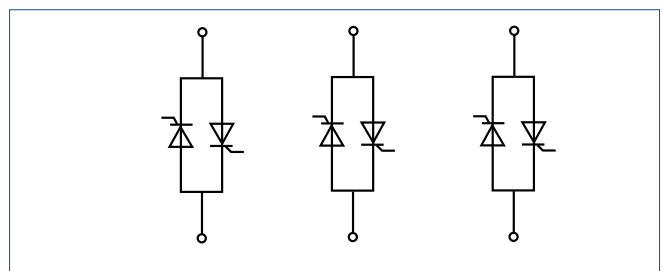
Inverter Single Phase



Inverter 3-Phase



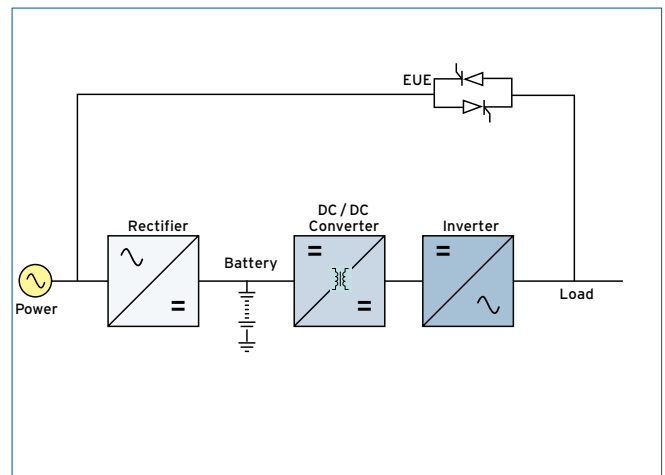
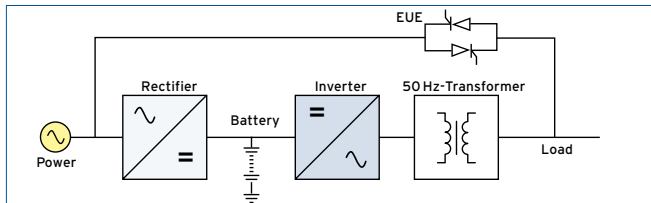
Static Bypass Switch



POWER CONVERTER SOLUTIONS

The Main Component Groups

- Rectifier to generate the intercircuit voltage and thus supply the inverter and at the same time charge the batteries wired to it in parallel
- Battery array as the store of energy
- Inverter to generate the consumer alternating current



Product Overview

Class	Type	Blocking Voltage	Current Range
Low Power IGBT Modules	EasyPIM™, EasyPACK™ EasyDUAL™, EasyBRIDGE™ EconoPACK™, EconoPIM™	600 V 1200 V 1700 V	6...200 A
Medium Power IGBT Modules	34 mm, 62 mm, EconoPACK™ 4, EconoDUAL™, EconoPACK™+	600 V 1200 V 1700 V	50...900 A
High Power IGBT Modules	PrimePACK™ 2 and 3	1200 V 1700 V	450...1400 A 450...1000 A
	IHM/IHV	1200 V 1700 V	400...3600 A
Bridge Rectifier Low Power	eupec™ IsoPACK™ eupec™ EconoBRIDGE™	1600 V	30...200 A
High Power Bipolar Discs	Presspack Thyristors and Diodes	200...9000 V	100...8400 A
High Power Bipolar Modules	Thyristors and Diode Modules	1200...4400 V	60...1100 A

SOLUTIONS FOR TRACTION SYSTEMS

Applications and Configurations



IHM B/IHV B and PrimePACK™

PrimePACK™

- New module concept for 1200 and 1700 V
- Modular concept to ease bus bar and heat sink design
- Low stray inductance
- Low thermal resistance for high inverter output current
- Ultrasonic welding leads to increased mechanical stability and improved thermal cycling capability

IHM/IHV-B Series

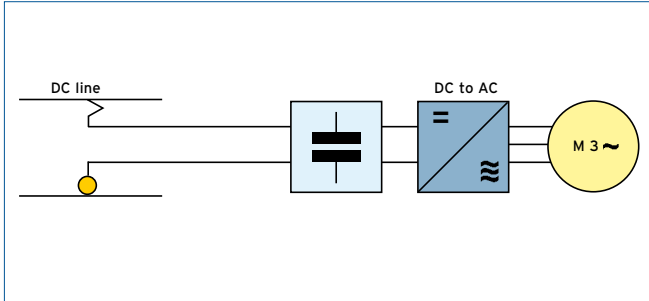
- 100% mechanically compatible to A-series single switch
- Improved reliability
- Increased power cycling capability
- Better thermal cycling and thermal shock test capability
- Product range: 1200, 1700 and 3300 V
- Optimised thermal heat spread

Power Converter Solution

DC to AC Power Converter Solution with Voltage Step-Up

Application Examples

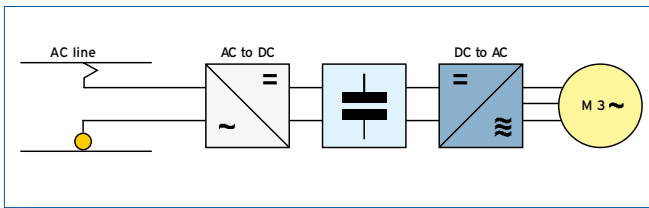
- Locomotives
- Trains
- Subway
- Trolleybuses



AC to AC Power Converter Solution

Application Examples

- Locomotives
- Trains



Services, Support and Solutions

Support and Tools

- Calculation and simulation tools
- Technical support
- Driver
- Evolution boards



EiceDriver™ IGBT Driver Boards

ABOUT INFINEON TECHNOLOGIES

As one of the leading players in the semiconductor industry, Infineon Technologies is world renowned for its customer focus and operational excellence. The company continually sets the pace for semiconductor and system solution innovations targeted at automotive, industrial, security and communication applications. With its global presence, it has gained unique insight into market and customer-specific needs. Infineon provides one of the broadest component portfolios for motor control applications. Its leading expertise maximizes motor and power control efficiency in industrial and automotive applications. For more information about Infineon visit www.infineon.com

ABOUT EBV

EBV Elektronik, an Avnet (NYSE:AVT) company, was founded in 1969 and is the leading specialist in European semiconductor distribution. EBV maintains its successful strategy of personal commitment to customers and excellent services. 250 Technical Sales Specialists provide a strong focus on a selected group of long-term manufacturing partners. 120 continuously trained Application Specialists offer extensive application know-how and design expertise. Warehouse operations, complete logistics solutions and value-added services such as programming, taping & reeling and laser marking are fulfilled by Avnet Logistics, EBV's logistical backbone and Europe's largest service centre. EBV operates from 60 offices in 28 countries throughout EMEA (Europe – Middle East – Africa). More information about EBV Elektronik under www.ebv.com



Interested in more product highlights from EBV Elektronik? Subscribe for our Newsletter at www.ebv.com/newsletter



Product Catalog for Distribution 2014

Microcontrollers

1

Power Semiconductors

2

RF & Protection Devices

3

General Purpose Diodes & Transistors

4

LED Driver & Lighting ICs

5

Sensors & Wireless Control

6

Chip Card & Security ICs

7

Summary of Types

8

Introduction

We are pleased to present the updated Product Catalog for Distribution 2014. This catalog outlines the full range of semiconductors available from Infineon Technologies through our distribution channel.

Reflecting the depth and range of our offering, this overview extends from communication devices and microcontrollers through power semiconductors and discretes to sensors and security solutions. For fast and easy reference, we have kept technical details to a minimum and added an overview of all device names and order codes at the back. Please refer to our data sheets, data books and user's manuals if you require in-depth technical data on a given product.

We work closely with our distributors to ensure that these products are available for rapid delivery. However, please be aware that individual distributors may not necessarily be authorized to offer the entire range of products outlined in this catalog. The choice of products held in stock and available for delivery is entirely at the discretion of the individual distributor. Please note that most products listed in this overview are RoHS-compliant. However, please check the actual status and availability with your distributor. Similarly, Infineon does not assume responsibility for the accuracy or completeness of the information contained in this overview.

For general information, please visit www.infineon.com.

For a complete list of our distribution partners, please go to www.infineon.com/distribution.

Explanation of Symbols

- ▼ Newly included components
- Components not suitable for new design
- ◆ Products available through dedicated distributors
- SMD (Surface Mounted Devices)
gray lines indicate SMDs
- ® Registered trademark
- TM Trademark

CanPAK™, EiceDRIVER™, HITFET™, ISOFACE™, my-d™, NovalithIC™, OPTIGA™, PROFET™, SatRIC™, SmartLEWIS™, TEMPFET™, TRENCHSTOP™, TriCore™ are trademarks of Infineon Technologies.

Infineon® is a registered trademark of Infineon Technologies AG.

ARM®Cortex™-4 are registered trademark of ARM Limited.

CanPAK™ uses DirectFET® technology licensed from International Rectifier Corporation.

DirectFET® is a registered trademark of International Rectifier Corporation.

FlexRay™ is a trademark of the FlexRay Consortium and used under license.

MIFARE™ is a trademark of NXP B.V.

Contents

Microcontrollers		
Microcontrollers, 8-bit	11	1
Microcontrollers, 16-bit	23	
Microcontrollers, 32-bit	64	
<hr/>		
Power Semiconductors		
Automotive N-Channel MOSFETs	79	
Automotive P-Channel MOSFETs	88	
N-Channel MOSFETs	90	
P-Channel MOSFETs	116	
Complementary MOSFETs	118	
Depletion MOSFETs	119	2
IGBT Power Transistors	120	
Power Diodes	127	
Smart Power Switches	130	
Power Management ICs	141	
Industrial Stand-alone CAN and LIN Transceivers	162	
Automotive Transceivers and SBCs	163	
Specific Automotive ICs	167	
<hr/>		
RF & Protection Devices		
RF Bipolar Transistors & Active Bias Controller	171	
RF Switches	174	
RF MMICs	175	3
RF Diodes	177	
RF MOSFETs	182	
RF Schottky Diodes	183	
ESD and EMI Protection Devices and Filters	184	
<hr/>		
General Purpose Diodes & Transistors		
Schottky Diodes	189	4
Digital Transistors	191	
General Purpose Transistors	194	
General Purpose Diodes	200	
<hr/>		
LED Driver & Lighting ICs		
LED Drivers for Outdoor & Indoor Lighting	205	5
Off-Line LED Driver ICs	206	
Smart Ballast Control ICs for Fluorescent Lamp Ballasts	206	
Switch-Mode and Linear LED Drivers for Automotive Lighting Applications	207	
<hr/>		
Sensors & Wireless Control		
Integrated Pressure Sensor ICs	211	6
Tire Pressure Sensors (TPMS)	211	
Magnetic Sensors	212	
Wireless Control	217	
<hr/>		
Chip Card & Security ICs		
Smart Card Memories	223	7
Contactless Products	224	
Embedded Security	227	
<hr/>		
Summary of Types	231	8

Microcontrollers

Microcontrollers, 8-bit	11
Microcontrollers, 16-bit	23
Microcontrollers, 32-bit	64

Type	Ordering Code	Orderable Part Number	Package	Description
Microcontrollers, 8-bit				
XC800 Family				
XC822 & XC824 Series				
SAF-XC822-1FRA AA-Step	SP000873390	XC8221FRAAAFUMA1	PG-TSSOP-16-1	High performance XC800 core, based on industry standard 8051 architecture, 8-Kbyte boot ROM, 4-Kbyte program flash, 0.128-Kbyte data flash, automotive quality level, 256-byte RAM, 256-byte XRAM, capture/compare unit, three 16-bit timers/counters, four 10-bit ADC channels, embedded voltage regulator (EVR), programmable 16-bit watchdog timer, no multiplication/division unit (MDU), no LED and touch sense controller (LEDTSCU), 24-MHz clock frequency, -40°C to 85°C, tape & reel
SAF-XC822-1FRI AA-Step	SP000795354	XC8221FRIAAFUMA1	PG-TSSOP-16-1	as SAF-XC822-1FRA, industry quality level, tape & reel
SAK-XC822-1FRA AA-Step	SP000873388	XC8221FRAAAKUMA1	PG-TSSOP-16-1	as SAF-XC822-1FRA, -40°C to 125°C, tape & reel
SAF-XC822M-1FRI AA-Step	SP000771768	XC822M1FRIAAFUMA1	PG-TSSOP-16-1	as SAF-XC822-1FRA, industry quality level, multiplication/division unit (MDU), no LED and touch sense controller (LEDTSCU), tape & reel
SAK-XC822MT-0FRA AA-Step	SP000898396	XC822MT0FRAAAKUMA1	PG-TSSOP-16-1	as SAF-XC822-1FRA, 2-Kbyte program flash, multiplication/division unit (MDU), LED and touch sense controller (LEDTSCU), -40°C to 125°C, tape & reel
SAF-XC822MT-1FRA AA-Step	SP000873396	XC822MT1FRAAAFUMA1	PG-TSSOP-16-1	as SAK-XC822MT-0FRA, 4-Kbyte program flash, -40°C to 85°C, tape & reel
SAK-XC822MT-1FRA AA-Step	SP000847976	XC822MT1FRAAAKUMA1	PG-TSSOP-16-1	as SAF-XC822MT-1FRA, -40°C to 125°C, tape & reel
SAF-XC822MT-1FRI AA-Step	SP000795358	XC822MT1FRIAAFUMA1	PG-TSSOP-16-1	as SAF-XC822MT-1FRA, industry quality level, tape & reel
SAF-XC822T-0FRI AA-Step	SP000795350	XC822T0FRIAAFUMA1	PG-TSSOP-16-1	as SAF-XC822MT-1FRI, 2-Kbyte program flash, no multiplication/division unit (MDU), LED and touch sense controller (LEDTSCU), tape & reel
SAF-XC822T-1FRI AA-Step	SP000797572	XC822T1FRIAAFUMA1	PG-TSSOP-16-1	as SAF-XC822-1FRI, no multiplication/division unit (MDU), LED and touch sense controller (LEDTSCU), tape & reel

SMD = Surface Mounted Device

Microcontrollers

Type	Ordering Code	Orderable Part Number	Package	Description
Microcontrollers, 8-bit				
XC800 Family XC835 & XC836 Series				
SAF-XC836-2FRI AB-Step	SP000843562	XC8362FRIABFXUMA1	PG-TSSOP-28-1	High performance XC800 core, based on industry standard 8051 architecture, 8-Kbyte boot ROM, 8-Kbyte program flash, 0.128-Kbyte data flash, industry quality level, 256-byte RAM, 256-byte XRAM, capture/compare unit, three 16-bit timers/counters, eight 10-bit ADC channels, 16-bit vector computer for Field-Oriented Control (FOC), programmable 16-bit watchdog timer, multiplication/division unit (MDU) and CORDIC module, LED and touch sense controller (LEDTSCU), no multiplication/division unit (MDU), no LED and touch sense controller (LEDTSCU), 24-MHz clock frequency, -40°C to 85°C, tape & reel
SAF-XC836M-1FRI AB-Step	SP000843556	XC836M1FRIABFXUMA1	PG-TSSOP-28-1	as SAF-XC836-2FRI, 4-Kbyte program flash, multiplication/division unit (MDU) and CORDIC module, no LED and touch sense controller (LEDTSCU), tape & reel
SAF-XC836M-2FRI AB-Step	SP000843558	XC836M2FRIABFXUMA1	PG-TSSOP-28-1	as SAF-XC836-2FRI, multiplication/division unit (MDU) and CORDIC module, no LED and touch sense controller (LEDTSCU), tape & reel
SAK-XC836MT-1FRA AB-Step	SP000848856	XC836MT1FRAABKXUMA1	PG-TSSOP-28-1	as SAF-XC836M-1FRI, automotive quality level, multiplication/division unit (MDU) and CORDIC module, LED and touch sense controller (LEDTSCU), -40°C to 125°C, tape & reel
SAK-XC836MT-2FRA AB-Step	SP000847972	XC836MT2FRAABKXUMA1	PG-TSSOP-28-1	as SAK-XC836MT-1FRA, 8-Kbyte program flash, tape & reel
SAF-XC836MT-2FRI AB-Step	SP000843560	XC836MT2FRIABFXUMA1	PG-TSSOP-28-1	as SAF-XC836M-2FRI, multiplication/division unit (MDU) and CORDIC module, LED and touch sense controller (LEDTSCU), tape & reel
SAF-XC836T-2FRI AB-Step	SP000843554	XC836T2FRIABFXUMA1	PG-TSSOP-28-1	as SAF-XC836MT-2FRI, no multiplication/division unit (MDU) and CORDIC module, tape & reel

SMD = Surface Mounted Device

Type	Ordering Code	Orderable Part Number	Package	Description
Microcontrollers, 8-bit				
XC800 Family				
XC866 Series				
SAK-XC866-1FRA AB-Step	SP000235420	XC8661FRAABKXUMA1	PG-TSSOP-38-1	High performance XC800 core, based on industry standard 8051 architecture, 8-Kbyte boot ROM, 4-Kbyte program flash, up to 8-Kbyte data flash, automotive quality level, 256-byte RAM, 512-byte XRAM, capture/compare unit, three 16-bit timers/counters, 10-bit ADC, port- and core voltage watchdog circuit with RESET generation, watchdog timer, -40°C to 125°C, tape & reel
SAF-XC866-1FRI AB-Step	SP000244527	XC8661FRIABFXUMA1	PG-TSSOP-38-1	as SAK-XC866-1FRA, industry quality level, -40°C to 85°C, tape & reel
SAA-XC866-2FRA BE-Step	SP000281789	XC8662FRA5VBEAXUMA1	PG-TSSOP-38-1	as SAF-XC866-1FRA, 8-Kbyte program flash, -40°C to 140°C, tape & reel
SAF-XC866-2FRA BE-Step	SP000281796	XC8662FRABEFXUMA1	PG-TSSOP-38-1	as SAA-XC866-1FRA, -40°C to 85°C, tape & reel
SAK-XC866-2FRA BE-Step	SP000272971	XC8662FRABEKXUMA1	PG-TSSOP-38-1	as SAF-XC866-2FRA, -40°C to 125°C, tape & reel
SAF-XC866-2FRI BE-Step	SP000245777	XC8662FRIBEFXUMA1	PG-TSSOP-38-1	as SAF-XC866-2FRA, industry quality level, tape & reel
SAK-XC866-2FRI BE-Step	SP000245783	XC8662FRIBEKXUMA1	PG-TSSOP-38-1	as SAF-XC866-2FRI, -40°C to 125°C, tape & reel
SAA-XC866-4FRA BE-Step	SP000281792	XC8664FRA5VBEAXUMA1	PG-TSSOP-38-1	as SAA-XC866-2FRA, 16-Kbyte program flash, tape & reel
SAF-XC866-4FRA BE-Step	SP000281799	XC8664FRABEFXUMA1	PG-TSSOP-38-1	as SAA-XC866-2FRA, -40°C to 85°C, tape & reel
SAK-XC866-4FRA BE-Step	SP000245770	XC8664FRABEKXUMA1	PG-TSSOP-38-1	as SAF-XC866-4FRA, -40°C to 125°C, tape & reel

SMD = Surface Mounted Device

Microcontrollers

Type	Ordering Code	Orderable Part Number	Package	Description
Microcontrollers, 8-bit				
XC800 Family				
XC866 Series				
(cont'd)				
SAL-XC866-4FRA 3V BE-Step	SP000908370	XC8664FRA3VBELXUMA1	PG-TSSOP-38-1	as SAF-XC866-4FRA, 3-V power supply, -40°C to 150°C, tape & reel
SAL-XC866-4FRA 5V BE-Step	SP000876776	XC8664FRA5VBELXUMA1	PG-TSSOP-38-1	as SAL-XC866-4FRA, 5-V power supply, tape & reel
SAF-XC866-4FRI BE-Step	SP000245780	XC8664FRIBEFXUMA1	PG-TSSOP-38-1	as SAF-XC866-4FRA, industry quality level, tape & reel
SAK-XC866-4FRI BE-Step	SP000245786	XC8664FRIBEKXUMA1	PG-TSSOP-38-1	as SAF-XC866-4FRI, -40°C to 125°C, tape & reel
SAF-XC866-2RRA AB-Step	SP000232712	XC8662RRAABFZZA1	PG-TSSOP-38-1	High performance XC800 core, based on industry standard 8051 architecture, 8-Kbyte ROM, 8-Kbyte boot ROM, 8-Kbyte program flash, up to 8-Kbyte data flash, automotive quality level, 256-byte RAM, 512-byte XRAM, capture/compare unit, three 16-bit timers/counters, 10-bit ADC, port- and core voltage watchdog circuit with RESET generation, watchdog timer, -40°C to 85°C, tape & reel
SAK-XC866-2RRA AB-Step	SP000232708	XC8662RRAABKZZA1	PG-TSSOP-38-1	as SAF-XC866-2RRA, -40°C to 125°C, tape & reel
SAA-XC866-4RRA AB-Step	SP000266176	XC8664RRAABAZZA1	PG-TSSOP-38-1	as SAF-XC866-2RRA, 16-Kbyte ROM, -40°C to 140°C, tape & reel
SAF-XC866-4RRA AB-Step	SP000232710	XC8664RRAABFZZA1	PG-TSSOP-38-1	as SAA-XC866-4RRA, -40°C to 85°C, tape & reel
SAK-XC866-4RRA AB-Step	SP000232706	XC8664RRAABKZZA1	PG-TSSOP-38-1	as SAF-XC866-4RRA, -40°C to 125°C, tape & reel
XC866L Series				
SAK-XC866L-1FRA AB-Step	SP000235421	XC866L1FRAABKXUMA1	PG-TSSOP-38-1	High performance XC800 core, based on industry standard 8051 architecture, 8-Kbyte boot ROM, 4-Kbyte program flash, up to 8-Kbyte data flash, automotive quality level, 256-byte RAM, 512-byte XRAM, capture/compare unit, three 16-bit timers/counters, 10-bit ADC, port- and core voltage watchdog circuit with RESET generation, watchdog timer, with LIN BSL support, -40°C to 125°C, tape & reel
SAL-XC866L-2FRA 3V BE-Step	SP000915406	XC866L2FRA3VBELXUMA1	PG-TSSOP-38-1	as SAK-XC866L-1FRA, 8-Kbyte program flash , 3-V power supply, -40°C to 150°C, tape & reel
SAL-XC866L-2FRA 5V BE-Step	SP000914682	XC866L2FRA5VBELXUMA1	PG-TSSOP-38-1	as SAL-XC866L-2FRA, 5-V power supply, tape & reel
SAK-XC866L-4FRA BE-Step	SP000245771	XC866L4FRABEKXUMA1	PG-TSSOP-38-1	as SAF-XC866L-1FRA, 16-Kbyte flash (12-Kbyte program flash, 4-Kbyte data flash), tape & reel

SMD = Surface Mounted Device

Type	Ordering Code	Orderable Part Number	Package	Description
Microcontrollers, 8-bit				
XC800 Family				
XC866L Series				
(cont'd)				
SAK-XC866L-4FRA 3V BE-Step	SP000442054	XC866L4FRA3VBEKXUMA1	PG-TSSOP-38-1	as SAK-XC866L-4FRA, 3-V power supply, tape & reel
SAL-XC866L-4FRA 3V BE-Step	SP000908378	XC866L4FRA3VBELXUMA1	PG-TSSOP-38-1	as SAK-XC866L-4FRA 3V, -40°C to 150°C, tape & reel
SAL-XC866L-4FRA 5V BE-Step	SP000876778	XC866L4FRA5VBELXUMA1	PG-TSSOP-38-1	as SAL-XC866L-4FRA, 5-V power supply, tape & reel
SAK-XC866L-4FRI BE-Step	SP000245787	XC866L4FRIBEKXUMA1	PG-TSSOP-38-1	as SAK-XC866L-4FRA, industry quality level, tape & reel

XC874 Series

SAK-XC874-13FVA 5V AC-Step	SP000858084	XC87413FVA5VACKXUMA1	PG-VQFN-48-1	High performance XC800 core, based on industry standard 8051 architecture, 52-Kbyte flash memory, automotive quality level, 256-byte RAM, 3-Kbyte XRAM, capture/compare unit (CCU6), 16-bit timers/counters, 10-bit ADC, port- and core voltage watchdog circuit with RESET generation, watchdog timer, on-chip debug support (JTAG), 5-V power supply, 26.7-MHz clock frequency, -40°C to 125°C, tape & reel
SAK-XC874-16FVA 5V AC-Step	SP000858096	XC87416FVA5VACKXUMA1	PG-VQFN-48-1	as SAK-XC874CM-13FVA 5V, 64-Kbyte flash memory, tape & reel
SAK-XC874CLM-16FVA5V AC-Step	SP000858092	XC874CLM16FVA5VACKXUMA1	PG-VQFN-48-1	as SAK-XC874-13FVA 5V, 64-Kbyte flash memory, with LIN BSL support , with CAN- and MDU module, tape & reel
SAK-XC874CM-13FVA 5V AC-Step	SP000793736	XC874CM13FVA5VACKXUMA1	PG-VQFN-48-1	as SAK-XC874CLM-16FVA 5V, 52-Kbyte flash memory, no LIN BSL support, tape & reel
SAK-XC874CM-16FVA 5V AC-Step	SP000858090	XC874CM16FVA5VACKXUMA1	PG-VQFN-48-1	as SAK-XC874CM-13FVA 5V, 64-Kbyte flash memory, tape & reel
SAK-XC874LM-13FVA 5V AC-Step	SP000858082	XC874LM13FVA5VACKXUMA1	PG-VQFN-48-1	as SAK-XC874CLM-16FVA 5V, 52-Kbyte flash memory, no CAN module, tape & reel
SAK-XC874LM-16FVA 5V AC-Step	SP000858086	XC874LM16FVA5VACKXUMA1	PG-VQFN-48-1	as SAK-XC874LM-13FVA 5V, 64-Kbyte flash memory, tape & reel

SMD = Surface Mounted Device

Microcontrollers

Type	Ordering Code	Orderable Part Number	Package	Description
Microcontrollers, 8-bit				
XC800 Family				
XC878 Series				
SAF-XC878-13FFA 5V AC-Step	SP000756808	XC87813FFA5VACFXUMA1	PG-LQFP-64-1	High performance XC800 core, based on industry standard 8051 architecture, 52-Kbyte flash memory, automotive quality level, 256-byte RAM, 3-Kbyte XRAM, capture/compare unit (CCU6), 16-bit timers/counters, 10-bit ADC, port- and core voltage watchdog circuit with RESET generation, watchdog timer, on-chip debug support (JTAG), 26.7-MHz clock frequency, 5-V power supply, -40°C to 85°C, tape & reel
SAK-XC878-13FFA 5V AC-Step	SP000847062	XC87813FFA5VACKXUMA1	PG-LQFP-64-1	as SAF-XC878-13FFA 5V , -40°C to 125°C, tape & reel
SAF-XC878-16FFI 5V AC-Step	SP000696772	XC87816FFI5VACFXUMA1	PG-LQFP-64-1	as SAF-XC878-13FFI 5V, 64-Kbyte flash memory, industry quality level, tape & reel
SAK-XC878-16FFA 5V AC-Step	SP000847066	XC87816FFA5VACKXUMA1	PG-LQFP-64-1	as SAF-XC878-16FFA 5V, -40°C to 125°C, tape & reel
SAK-XC878CLM-16FFA 5V AC-Step	SP000761974	XC878CLM16FFA5VACKXUMA1	PG-LQFP-64-1	as SAF-XC878-13FFA 5V, 64-Kbyte flash memory, with LIN BSL support, with CAN- and MDU module, -40°C to 125°C, tape & reel
SAX-XC878CLM-16FFA5V AC-Step	SP000608972	XC878CLM16FFA5VACXXUMA1	PG-LQFP-64-1	as SAK-XC878CLM-16FFA 5V, -40°C to 105°C, tape & reel
SAF-XC878CM-16FFA 5V AC-Step	SP000772210	XC878CM16FFA5VACFXUMA1	PG-LQFP-64-1	as SAK-XC878CLM-16FFA 5V, no LIN BSL support, -40°C to 85°C, tape & reel
SAK-XC878CM-16FFA 5V AC-Step	SP000847064	XC878CM16FFA5VACKXUMA1	PG-LQFP-64-1	as SAF-XC878CM-16FFA 5V, -40°C to 125°C, tape & reel
SAX-XC878CM-16FFA 5V AC-Step	SP000409562	XC878CM16FFA5VACXXUMA1	PG-LQFP-64-1	as SAK-XC878CM-16FFA 5V, -40°C to 105°C, tape & reel
SAF-XC878CM-16FFI 3V3 AC-Step	SP000696786	XC878CM16FFI3V3ACFXUMA1	PG-LQFP-64-1	as SAF-XC878CM-16FFA 5V, industry quality level, 3.3-V power supply, tape & reel
SAF-XC878CM-16FFI 5V AC-Step	SP000679860	XC878CM16FFI5VACFXUMA1	PG-LQFP-64-1	as SAF-XC878CM-16FFI 3V3, 5-V power supply, tape & reel
SAF-XC878M-13FFI 3V3 AC-Step	SP000696774	XC878M13FFI3V3ACFXUMA1	PG-LQFP-64-1	as SAF-XC878CM-16FFI 3V3, 52-Kbyte flash memory, with MDU module, no CAN module, tape & reel
SAF-XC878M-16FFI 3V3 AC-Step	SP000696778	XC878M16FFI3V3ACFXUMA1	PG-LQFP-64-1	as SAF-XC878M-13FFI 3V3, 64-Kbyte flash memory, tape & reel
SAF-XC878M-16FFI 5V AC-Step	SP000696780	XC878M16FFI5VACFXUMA1	PG-LQFP-64-1	as SAF-XC878M-16FFI 3V3, 5-V power supply, tape & reel
SAX-XC878LM-13FFA 5V AC-Step	SP000447320	XC878LM13FFA5VACXXUMA1	PG-LQFP-64-1	as SAF-XC878M-13FFI 3V3, automotive quality level, with LIN BSL support and MDU module, 5-V power supply, -40°C to 105°C, tape & reel
SAK-XC878LM-16FFA 5V AC-Step	SP000844190	XC878LM16FFA5VACKXUMA1	PG-LQFP-64-1	as SAX-XC878LM-13FFA 5V, 64-Kbyte flash memory, -40°C to 125°C, tape & reel

SMD = Surface Mounted Device

Type	Ordering Code	Orderable Part Number	Package	Description
Microcontrollers, 8-bit				
XC800 Family				
XC886 Series				
SAK-XC886-6FFA 5V AC-Step	SP000210978	XC8866FFA5VACKXUMA1	PG-TQFP-48	High performance XC800 core, based on industry standard 8051 architecture, 24-Kbyte flash memory, automotive quality level, 256-byte RAM, 1536-byte XRAM, capture/compare unit (CCU6), 16-bit timers/counters, 10-bit ADC, port- and core voltage watchdog circuit with RESET generation, watchdog timer, on-chip debug support (JTAG), -40°C to 125°C, tape & reel
SAF-XC886-6FFI 5V AC-Step	SP000607048	XC8866FFI5VACFXUMA1	PG-TQFP-48	as SAK-XC886-6FFA 5V, industry quality level, -40°C to 85°C, tape & reel
SAF-XC886-8FFI 5V AC-Step	SP000607054	XC8868FFI5VACFXUMA1	PG-TQFP-48	as SAK-XC886-6FFA 5V, 32-Kbyte flash memory, industry quality level, -40°C to 85°C, tape & reel
SAK-XC886-8FFI 5V AC-Step	SP000607058	XC8868FFI5VACKXUMA1	PG-TQFP-48	as SAF-XC886-8FFI, -40°C to 125°C, tape & reel
SAF-XC886C-6FFA 5V AC-Step	SP000607068	XC886C6FFA5VACFXUMA1	PG-TQFP-48	as SAK-XC886-6FFA 5V, MultiCAN with 2 nodes, -40°C to 85°C, tape & reel
SAK-XC886C-6FFA 5V AC-Step	SP000607004	XC886C6FFA5VACKXUMA1	PG-TQFP-48	as SAF-XC886C-6FFA, -40°C to 125°C, tape & reel
SAF-XC886C-6FFI 3V3 AC-Step	SP000655548	XC886C6FFI3V3ACFXUMA1	PG-TQFP-48	as SAF-XC886C-6FFA, industry quality level, 3.3-V power supply, tape & reel
SAF-XC886C-6FFI 5V AC-Step	SP000607056	XC886C6FFI5VACFXUMA1	PG-TQFP-48	as SAF-XC886C-6FFA, industry quality level, 5-V power supply, tape & reel
SAK-XC886C-8FFA 5V AC-Step	SP000606668	XC886C8FFA5VACKXUMA1	PG-TQFP-48	as SAF-XC886C-6FFA 5V, 32-Kbyte flash memory, -40°C to 125°C, tape & reel
SAF-XC886C-8FFI 5V AC-Step	SP000607010	XC886C8FFI5VACFXUMA1	PG-TQFP-48	as SAK-XC886C-8FFA, industry quality level, -40°C to 85°C, tape & reel

SMD = Surface Mounted Device

Microcontrollers

Type	Ordering Code	Orderable Part Number	Package	Description
Microcontrollers, 8-bit				
XC800 Family				
XC886CLM Series				
SAA-XC886CLM-8FFA AC-Step	SP000618282	XC886CLM8FFAACAXUMA1	PG-TQFP-48	High performance XC800 core, based on industry standard 8051 architecture, 32-Kbyte flash memory, automotive quality level, 256-byte RAM, 1536-byte XRAM, MultiCAN with 2 nodes, capture/compare unit (CCU6), 16-bit timers/counters, 10-bit ADC, port- and core voltage watchdog circuit with RESET generation, watchdog timer, on-chip debug support (JTAG), with LIN BSL support, with CAN- and MDU module, -40°C to 140°C, tape & reel
SAK-XC886CLM-8FFA 5V AC-Step	SP000606750	XC886CLM8FFA5VACKXUMA1	PG-TQFP-48	as SAA-XC886CLM-8FFA, -40°C to 125°C, 5-V power supply, tape & reel
SAL-XC886CLM-8FFA 5V AC-Step	SP000829526	XC886CLM8FFA5VACLXUMA1	PG-TQFP-48	as SAK-XC886CLM-8FFA, -40°C to 150°C, tape & reel

XC886CM Series

SAF-XC886CM-6RFA	SP000254732	XC886CM6RFAFZZA1	PG-TQFP-48	High performance XC800 core, based on industry standard 8051 architecture, 24-Kbyte ROM, automotive quality level, 256-byte RAM, 1536-byte XRAM, MultiCAN with 2 nodes, capture/compare unit (CCU6), 16-bit timers/counters, 10-bit ADC, port- and core voltage watchdog circuit with RESET generation, watchdog timer, on-chip debug support (JTAG), with CAN- and MDU module, -40°C to 85°C, tape & reel
SAK-XC886CM-6RFA 5V AA-Step	SP000245804	XC886CM6RFA5VAAKZZA1	PG-TQFP-48	as SAF-XC886CM-6RFA, 5-V power supply, -40°C to 125°C, tape & reel
SAA-XC886CM-8FFA AC-Step	SP000639468	XC886CM8FFA5VACAXUMA1	PG-TQFP-48	High performance XC800 core, based on industry standard 8051 architecture, 32-Kbyte flash memory, automotive quality level, 256-byte RAM, 1536-byte XRAM, MultiCAN with 2 nodes, capture/compare unit (CCU6), 16-bit timers/counters, 10-bit ADC, port- and core voltage watchdog circuit with RESET generation, watchdog timer, on-chip debug support (JTAG), with CAN- and MDU module, -40°C to 140°C, tape & reel
SAK-XC886CM-8FFA 3V3 AC-Step	SP000607082	XC886CM8FFA3V3ACKXUMA1	PG-TQFP-48	as SAA-XC886CM-8FFA, -40°C to 125°C, 3.3-V power supply, tape & reel

SMD = Surface Mounted Device

Type	Ordering Code	Orderable Part Number	Package	Description
Microcontrollers, 8-bit				
XC800 Family				
XC886CM Series				
(cont'd)				
SAL-XC886CM-8FFA AC-Step	SP000844270	XC886CM8FFA5VACLXUMA1	PG-TQFP-48	as SAA-XC886CM-8FFA, -40°C to 150°C, tape & reel
SAK-XC886CM-8FFA 5V AC-Step	SP000606964	XC886CM8FFA5VACKXUMA1	PG-TQFP-48	as SAF-XC886CM-8FFA, 40°C to 125°C, tape & reel
SAF-XC886CM-8FFI 5V AC-Step	SP000607014	XC886CM8FFI5VACFXUMA1	PG-TQFP-48	as SAF-XC886CM-8FFA, industry quality level, tape & reel
SAF-XC886CM-8RFA AA-Step	SP000235443	XC886CM8RFAAAFZZA1	PG-TQFP-48	as SAF-XC886CM-6RFA, 32-Kbyte ROM, tape & reel
SAK-XC886CM-8RFA 5V AA-Step	SP000245801	XC886CM8RFA5VAAKZZA1	PG-TQFP-48	as SAF-XC886CM-8RFA, 5-V power supply, -40°C to 125°C, tape & reel

XC886LM Series

SAF-XC886LM-6FFA 5V AC-Step	SP000657428	XC886LM6FFA5VACFXUMA1	PG-TQFP-48	High performance XC800 core, based on industry standard 8051 architecture, 24-Kbyte flash memory, automotive quality level, 256-byte RAM, 1536-byte XRAM, capture/compare unit (CCU6), 16-bit timers/counters, 10-bit ADC, port- and core voltage watchdog circuit with RESET generation, watchdog timer, on-chip debug support (JTAG), with LIN BSL support and MDU module, 5-V power supply, -40°C to 85°C, tape & reel
SAK-XC886LM-6FFA 5V AC-Step	SP000606754	XC886LM6FFA5VACKXUMA1	PG-TQFP-48	as SAF-XC886LM-6FFA, -40°C to 125°C, tape & reel
SAF-XC886LM-6FFI 5V AC-Step	SP000607050	XC886LM6FFI5VACFXUMA1	PG-TQFP-48	as SAK-XC886LM-6FFA, industry quality level, -40°C to 85°C, tape & reel
SAA-XC886LM-8FFA AC-Step	SP000368485	XC886LM8FFA5VACAXUMA1	PG-TQFP-48	as SAK-XC886LM-6FFA, 32-Kbyte flash memory, -40°C to 140°C, tape & reel
SAK-XC886LM-8FFA 5V AC-Step	SP000606752	XC886LM8FFA5VACKXUMA1	PG-TQFP-48	as SAA-XC886LM-8FFA, 5-V power supply, -40°C to 125°C, tape & reel
SAL-XC886LM-8FFA 5V AC-Step	SP000844272	XC886LM8FFA5VACLXUMA1	PG-TQFP-48	as SAK-XC886LM-8FFA, -40°C to 150°C, tape & reel
SAF-XC886LM-8FFI 5V AC-Step	SP000607052	XC886LM8FFI5VACFXUMA1	PG-TQFP-48	as SAF-XC886LM-8FFI, industry quality level, tape & reel

SMD = Surface Mounted Device

Microcontrollers

Type	Ordering Code	Orderable Part Number	Package	Description
Microcontrollers, 8-bit				
XC800 Family XC888 Series				
SAF-XC888-6FFI 5V AC-Step	SP000607062	XC8886FFI5VACFXUMA1	PG-LQFP-64	High performance XC800 core, based on industry standard 8051 architecture, 24-Kbyte flash memory, industry quality level, 256-byte RAM, 1536-byte XRAM, capture/compare unit (CCU6), 16-bit timers/counters, 10-bit ADC, port- and core voltage watchdog circuit with RESET generation, watchdog timer, on-chip debug support (JTAG), 5-V power supply, -40°C to 85°C, tape & reel
SAF-XC888-8FFI 5V AC-Step	SP000646588	XC8888FFI5VACFXUMA1	PG-LQFP-64	as SAF-XC888-6FFI, 32-Kbyte flash memory, tape & reel
SAK-XC888C-8FFA 5V AC-Step	SP000606958	XC888C8FFA5VACKXUMA1	PG-LQFP-64	High performance XC800 core, based on industry standard 8051 architecture, 32-Kbyte flash memory, automotive quality level, 256-byte RAM, 1536-byte XRAM, MultiCAN with 2 nodes, capture/compare unit (CCU6), 16-bit timers/counters, 10-bit ADC, port- and core voltage watchdog circuit with RESET generation, watchdog timer, on-chip debug support (JTAG), 5-V power supply, -40°C to 125°C, tape & reel
XC888CLM Series				
SAK-XC888CLM-8FFA 5V AC-Step	SP000606756	XC888CLM8FFA5VACKXUMA1	PG-LQFP-64	High performance XC800 core, based on industry standard 8051 architecture, 32-Kbyte flash memory, automotive quality level, 256-byte RAM, 1536-byte XRAM, MultiCAN with 2 nodes, capture/compare unit (CCU6), 16-bit timers/counters, 10-bit ADC, port- and core voltage watchdog circuit with RESET generation, watchdog timer, on-chip debug support (JTAG), 5-V power supply, with LIN BSL support and MDU module, -40°C to 125°C, tape & reel
■ SAF-XC888CLM-8FFI 5V AC-Step	SP000253397	XC888CLM8FFI5VACFXUMA1	PG-LQFP-64	as SAK-XC888CLM-8FFA, industry quality level, -40°C to 85°C, tape & reel

SMD = Surface Mounted Device

Type	Ordering Code	Orderable Part Number	Package	Description
Microcontrollers, 8-bit				
XC800 Family				
XC888CM Series				
SAF-XC888CM-6RFA	SP000257476	XC888CM6RFAFZZA1	PG-LQFP-64	High performance XC800 core, based on industry standard 8051 architecture, 24-Kbyte ROM, automotive quality level, 256-byte RAM, 1536-byte XRAM, MultiCAN with 2 nodes, capture/compare unit (CCU6), 16-bit timers/counters, 10-bit ADC, port- and core voltage watchdog circuit with RESET generation, watchdog timer, on-chip debug support (JTAG), with MDU module, -40°C to 85°C, tape & reel
SAK-XC888CM-6RFA 5V AA-Step	SP000257472	XC888CM6RFA5VAAKZZA1	PG-LQFP-64	as SAF-XC888CM-6RFA, 5-V power supply, -40°C to 125°C, tape & reel
SAF-XC888CM-8RFA AA-Step	SP000245812	XC888CM8RFAAAFZZA1	PG-LQFP-64	as SAF-XC888CM-6RFA 32-Kbyte ROM, -40°C to 85°C, tape & reel
SAK-XC888CM-8FFA 5V AC-Step	SP000607006	XC888CM8FFA5VACKXUMA1	PG-LQFP-64	as SAF-XC888CM-6RFA 32-Kbyte flash memory, 5-V power supply, with MDU module, -40°C to 125°C, tape & reel
SAF-XC888CM-8FFI 3V3 AC-Step	SP000607084	XC888CM8FFI3V3ACFXUMA1	PG-LQFP-64	as SAK-XC888CM-8FFA, industry quality level, 3.3-V power supply, -40°C to 85°C, tape & reel
SAF-XC888CM-8FFI 5V AC-Step	SP000655550	XC888CM8FFI5VACFXUMA1	PG-LQFP-64	as SAF-XC888CM-8FFA 5V, industry quality level, tape & reel
▼ SAK-XC888CM-8FFA 3V3 AC-Step	SP000715010	XC888CM8FFA3V3ACKXUMA1	PG-LQFP-64	as SAF-XC888CM-8FFI 3V3, -40°C to 125°C, tape & reel

XC888LM Series

SAK-XC888LM-6FFA 5V AC-Step	SP000210994	XC888LM6FFA5VACKXUMA1	PG-LQFP-64	High performance XC800 core, based on industry standard 8051 architecture, 24-Kbyte flash memory, automotive quality level, 256-byte RAM, 1536-byte XRAM, capture/compare unit (CCU6), 16-bit timers/counters, 10-bit ADC, port- and core voltage watchdog circuit with RESET generation, watchdog timer, on-chip debug support (JTAG), 5-V power supply, with LIN BSL support and MDU module, -40°C to 125°C, tape & reel
SAF-XC888LM-6FFI 3V3 AC-Step	SP000307472	XC888LM6FFI3V3ACFXUMA1	PG-LQFP-64	as SAF-XC888LM-6FFA, industry quality level, 3.3V power supply, -40°C to 85°C, tape & reel
SAF-XC888LM-8FFI 5V AC-Step	SP000607064	XC888LM8FFI5VACFXUMA1	PG-LQFP-64	as SAK-XC888LM-6FFA 5V 24-Kbyte flash memory, industry quality level, -40°C to 85°C, tape & reel

SMD = Surface Mounted Device

Microcontrollers

Type	Ordering Code	Orderable Part Number	Package	Description
Microcontrollers, 8-bit				
C500 Family				
C505 Series				
SAF-C505CA-LM CA-Step	SP000106669	C505CALMCAFXQMA1	PG-MQFP-44-2	ROMless, 256-byte on-chip RAM, 1-Kbyte XRAM, oscillator watchdog, watchdog timer, full CAN-controller (V 2.0 B active), 10-bit ADC, three 16-bit timers/counters, 20-MHz clock frequency, tray
SAF-C505CA-LM CA-Step	SP000106390	C505CALMCAFXUMA1	PG-MQFP-44-2	as SAF-C505CA-LM, tape & reel
SAB-C505CA-4EM CA-Step	SP000106391	C505CA4EMCABXQMA1	PG-MQFP-44-2	as SAF-C505CA-LM, 32-Kbyte OTP memory, 0°C to 70°C, tray
SAB-C505CA-4EM CA-Step	SP000106392	C505CA4EMCABXUMA1	PG-MQFP-44-2	as SAB-C505CA-4EM, tape & reel
SAF-C505CA-4EM CA-Step	SP000106394	C505CA4EMCAFXQMA1	PG-MQFP-44-2	as SAB-C505CA-4 EM, -40°C to 85°C, tray
SAF-C505CA-4EM CA-Step	SP000106395	C505CA4EMCAFXUMA1	PG-MQFP-44-2	as SAF-C505CA-4EM, tape & reel
SAK-C505CA-4EM CA-Step	SP000106396	C505CA4EMCAKXQMA1	PG-MQFP-44-2	as SAF-C505CA-4EM, -40°C to 125°C, tray
SAK-C505CA-4EM CA-Step	SP000106397	C505CA4EMCAKXUMA1	PG-MQFP-44-2	as SAK-C505CA-4EM, tape & reel
C515 Series				
SAF-C515C-8EM CA-Step	SP000106398	C515C8EMCAFXQMA1	PG-MQFP-80-1	64-Kbyte OTP memory, 256 x 8-bit RAM, additional 2K x 8-bit on-chip RAM, three 16-bit timer/counters, power saving modes, 10-bit A/D converter, programmable watchdog timer, oscillator watchdog, 10-MHz CPU clock frequency, for external memory, full CAN-controller (V 2.0 B active), -40°C to 85°C, tray
SAF-C515C-8EM CA-Step	SP000106399	C515C8EMCAFXUMA1	PG-MQFP-80-1	as SAF-C515C-8EM, tape & reel
▼ SAF-C515C-8EM CA-Step	SP000106400	C515C8EMCAFXUMA2	PG-MQFP-80-1	as SAF-C515C-8EM, tape & reel

SMD = Surface Mounted Device

Type	Ordering Code	Orderable Part Number	Package	Description
Microcontrollers, 16-bit				
XC166 Family				
XC161CJ/CS Series				
SAF-XC161CJ-16F40F BB-Step	SP000280516	XC161CJ16F40FBBFXQMA1	PG-TQFP-144-19	128-Kbyte on-chip program memory (flash memory), 8-Kbyte RAM, programmable watchdog timer, oscillator watchdog, two 16-channel general purpose capture/compare units, TwinCAN module, two Full-CAN nodes, serial data link module (J1850), 12-channel 10-bit A/D converter, 40-MHz clock frequency, -40°C to 85°C, tray
SAF-XC161CJ-16F40F BB-Step	SP000224537	XC161CJ16F40FBBFXUMA1	PG-TQFP-144-19	as SAF-XC161CJ-16F20F, 40-MHz clock frequency, tape & reel
SAK-XC161CJ-16F40F BB-Step	SP000224540	XC161CJ16F40FBBKXUMA1	PG-TQFP-144-19	as SAF-XC161CJ-16F40F, -40°C to 125°C, tape & reel
SAF-XC161CS-32F40F BB-A-Step	SP000224542	XC161CS32F40FBBAFXUMA1	PG-TQFP-144-19	256-Kbyte on-chip program memory (flash memory), 12-Kbyte RAM, programmable watchdog timer, oscillator watchdog, two 16-channel general purpose capture/compare units, TwinCAN module, two Full-CAN nodes, serial data link module (J1850), 40-MHz clock frequency, -40°C to 85°C, tape & reel
SAK-XC161CS-32F40F BB-A-Step	SP000224544	XC161CS32F40FBBAXUMA1	PG-TQFP-144-19	as SAF-XC161CS-32F40F, -40°C to 125°C, tape & reel

XC164CM Series

SAK-XC164CM-8F20F AA-Step	SP000065643	XC164CM8F20FAAKXUMA1	PG-LQFP-64-4	64-Kbyte on-chip program memory (flash memory), 2-Kbyte embedded static RAM, programmable watchdog timer, oscillator watchdog, one 16-channel purpose capture/compare units, TwinCAN module, one Full-CAN nodes, 14-channel 10-Bit A/D converter, 20-MHz clock frequency, -40°C to 125°C, tape & reel
SAF-XC164CM-8F40F AA-Step	SP000203865	XC164CM8F40FAAFXQMA1	PG-LQFP-64-4	as SAK-XC164CM-8F20F, 40-MHz clock frequency, -40°C to 85°C, tray
SAF-XC164CM-8F40F AA-Step	SP000065635	XC164CM8F40FAAFXUMA1	PG-LQFP-64-4	as SAF-XC164CM-8F40F, tape & reel
SAK-XC164CM-8F40F AA-Step	SP000203869	XC164CM8F40FAAKXQMA1	PG-LQFP-64-4	as SAF-XC164CM-8F40F, -40°C to 125°C, tray
SAK-XC164CM-8F40F AA-Step	SP000065644	XC164CM8F40FAAKXUMA1	PG-LQFP-64-4	as SAK-XC164CM-8F40F, tape & reel

SMD = Surface Mounted Device

Microcontrollers

Type	Ordering Code	Orderable Part Number	Package	Description
Microcontrollers, 16-bit				
XC166 Family				
XC164CM Series				
(cont'd)				
SAK-XC164CM-16F20F BA-Step	SP000245661	XC164CM16F20FBAKXUMA1	PG-LQFP-64-4	as SAK-XC164CM-8F20F, 128-Kbyte on-chip program memory (flash memory), tape & reel
SAF-XC164CM-16F40F BA-Step	SP000258386	XC164CM16F40FBAFXQMA1	PG-LQFP-64-4	as SAK-XC164CM-16F20F, 40-MHz clock frequency, -40°C to 85°C, tray
SAK-XC164CM-16F40F BA-Step	SP000258408	XC164CM16F40FBAKXQMA1	PG-LQFP-64-4	as SAF-XC164CM-16F40F, -40°C to 125°C, tray
SAK-XC164CM-16F40F BA-Step	SP000258407	XC164CM16F40FBAKXUMA1	PG-LQFP-64-4	as SAK-XC164CM-16F40F, tape & reel
XC164CS Series				
SAF-XC164CS-16F40F BB-Step	SP000224553	XC164CS16F40FBBFXQMA1	PG-TQFP-100-16	128-Kbyte on-chip program memory (flash memory), 6-Kbyte embedded static RAM, programmable watchdog timer, oscillator watchdog, two 16-channel purpose capture/compare units, TwinCAN module, two Full-CAN nodes, 14-channel 10-bit A/D converter, 40-MHz clock frequency, -40°C to 85°C, tray
SAF-XC164CS-16F40F BB-Step	SP000224552	XC164CS16F40FBBFXUMA1	PG-TQFP-100-16	as SAF-XC164CS-16F40F, tape & reel
SAK-XC164CS-16F40F BB-Step	SP000224561	XC164CS16F40FBBKXQMA1	PG-TQFP-100-16	as SAF-XC164CS-16F40F, -40°C to 125°C, tray
SAK-XC164CS-16F40F BB-Step	SP000224560	XC164CS16F40FBBKXUMA1	PG-TQFP-100-16	as SAK-XC164CS-16F40F, tape & reel
SAK-XC164CS-32F20F BB-A-Step	SP000224594	XC164CS32F20FBBKXUMA1	PG-TQFP-100-16	as SAF-XC164CS-16F40F, 256-Kbyte on-chip program memory (flash memory), 20-MHz clock frequency, -40°C to 125°C, tape & reel
SAF-XC164CS-32F40F BB-A-Step	SP000224593	XC164CS32F40FBBAFXQMA1	PG-TQFP-100-16	as SAK-XC164CS-32F20F, 40-MHz clock frequency, -40°C to 85°C, tray
SAF-XC164CS-32F40F BB-A-Step	SP000224592	XC164CS32F40FBBAFXUMA1	PG-TQFP-100-16	as SAF-XC164CS-32F40F, tape & reel
SAK-XC164CS-32F40F BB-A-Step	SP000224597	XC164CS32F40FBBKXQMA1	PG-TQFP-100-16	as SAF-XC164CS-32F40F, -40°C to 125°C, tray
SAK-XC164CS-32F40F BB-A-Step	SP000224596	XC164CS32F40FBBKXUMA1	PG-TQFP-100-16	as SAK-XC164CS-32F40F, tape & reel

SMD = Surface Mounted Device

Type	Ordering Code	Orderable Part Number	Package	Description
Microcontrollers, 16-bit				
XC166 Family				
XC167CI Series				
SAF-XC167CI-16F40F BB-Step	SP000224690	XC167CI16F40FBBFXQMA1	PG-TQFP-144-19	128-Kbyte on-chip program memory (flash memory), 8-Kbyte on-chip RAM, programmable watchdog timer, oscillator watchdog, two 16-channel purpose capture/compare units, 16-channel 10-bit A/D converter, TwinCAN module, two Full-CAN nodes, 40-MHz clock frequency, -40°C to 85°C, tray
SAF-XC167CI-16F40F BB-Step	SP000224689	XC167CI16F40FBBFXUMA1	PG-TQFP-144-19	as SAF-XC167CI-16F40F, tape & reel
SAK-XC167CI-16F40F BB-Step	SP000224695	XC167CI16F40FBBKXQMA1	PG-TQFP-144-19	as SAF-XC167CI-16F40F, -40°C to 125°C, tray
SAK-XC167CI-16F40F BB-Step	SP000224694	XC167CI16F40FBBKXUMA1	PG-TQFP-144-19	as SAK-XC167CI-16F40F, tape & reel
SAF-XC167CI-32F40F BB-A-Step	SP000224703	XC167CI32F40FBBAFXQMA1	PG-TQFP-144-19	as SAF-XC167CI-16F20F, 256-Kbytes on-chip program memory (flash memory), 12-Kbyte RAM, 40-MHz clock frequency, tray
SAF-XC167CI-32F40F BB-A-Step	SP000224702	XC167CI32F40FBBAFXUMA1	PG-TQFP-144-19	as SAF-XC167CI-32F40F, tape & reel
SAK-XC167CI-32F40F BB-A-Step	SP000224707	XC167CI32F40FBBAXQMA1	PG-TQFP-144-19	as SAF-XC167CI-32F40F, -40°C to 125°C, tray
SAK-XC167CI-32F40F BB-A-Step	SP000224706	XC167CI32F40FBBAXUMA1	PG-TQFP-144-19	as SAK-XC167CI-32F40F, tape & reel

SMD = Surface Mounted Device

Microcontrollers

Type	Ordering Code	Orderable Part Number	Package	Description
Microcontrollers, 16-bit				
C166 Family				
C161CS, JC, JI Series				
SAB-C161CS-LF CA-Step	SP000106860	C161CSLFCABXQMA1	PG-TQFP-128-2	ROMless, 10-Kbyte on-chip SRAM, two on-chip CAN-interfaces (CAN1,CAN2), two 16-channel capture/ compare units, 12-channel 10-bit ADC, watchdog timer, oscillator watchdog, additional 32-kHz oscillator, 25-MHz clock frequency, 0°C to 70°C, tray
SAB-C161CS-LF CA-Step	SP000106861	C161CSLFCABXUMA1	PG-TQFP-128-2	as SAB-C161CS-LF, tape & reel
SAF-C161CS-LF CA-Step	SP000106865	C161CSLFCAFXQMA1	PG-TQFP-128-2	as SAB-C161CS-LF, -40°C to 85°C, tray
■ SAF-C161CS-LF CA-Step	SP000106866	C161CSLFCAFXUMA1	PG-TQFP-128-2	as SAB-C161CS-LF, -40°C to 85°C, tape & reel
SAK-C161CS-LF CA-Step	SP000106868	C161CSLFCAXQMA1	PG-TQFP-128-2	as SAF-C161CS-LF, -40°C to 125°C, tray
SAB-C161JC-LF CA-Step	SP000106862	C161JCLFCABXQMA1	PG-TQFP-128-2	as SAB-C161CS-LF, one on-chip CAN-interface (CAN1), serial data link module J1850 (SDLM), tray
SAK-C161JC-LF CA-Step	SP000106870	C161JCLFCAXQMA1	PG-TQFP-128-2	as SAB-C161JC-LF, -40°C to 125°C, tray

SMD = Surface Mounted Device

Type	Ordering Code	Orderable Part Number	Package	Description
Microcontrollers, 16-bit				
C166 Family				
C161K/O Series				
SAB-C161K-LM HA-Step	SP000011584	C161KLMHABXQMA1	PG-MQFP-80-1	ROMless, 1-Kbyte on-chip RAM, one general purpose timer unit with 3 timers, two serial interfaces, 4 fast external interrupt inputs, 4-Mbyte address range, two chip select signals, DMUX bus, additional timer unit with capture input, operating range 5V, 20-MHz clock frequency, 0°C to 70°C, tray
SAB-C161K-LM HA-Step	SP000011585	C161KLMHABXUMA1	PG-MQFP-80-1	as SAB-C161K-LM, tape & reel
SAF-C161K-LM HA-Step	SP000011620	C161KLMHAFXQMA1	PG-MQFP-80-1	as SAB-C161K-LM, -40°C to 85°C, tray
SAF-C161K-LM3V HA-Step	SP000011621	C161KLM3VHAFXUMA1	PG-MQFP-80-1	as SAB-C161K-LM, operating range 3V, -40°C to 85°C, tape & reel
SAB-C161O-LM HA-Step	SP000011586	C161OLMHABXQMA1	PG-MQFP-80-1	as SAB-C161K-LM, 2-Kbyte on-chip internal RAM, two general purpose timer units with 5 timers, four chip-select signals, tray
SAB-C161O-LM HA-Step	SP000011587	C161OLMHABXUMA1	PG-MQFP-80-1	as SAB-C161O-LM, tape & reel
SAF-C161O-LM HA-Step	SP000011622	C161OLMHAFXQMA1	PG-MQFP-80-1	as SAB-C161O-LM, -40°C to 85°C, tray
SAF-C161O-LM HA-Step	SP000011623	C161OLMHAFXUMA1	PG-MQFP-80-1	as SAB-C161O-LM, -40°C to 85°C, tape & reel
SAB-C161O-L25M HA-Step	SP000014268	C161OL25MHABXUMA1	PG-MQFP-80-1	as SAB-C161O-LM, 25-MHz clock frequency, tape & reel
SAB-C161O-LM3V HA-Step	SP000011588	C161OLM3VHABXUMA1	PG-MQFP-80-1	as SAB-C161O-LM, operating range 3V, tape & reel
SAF-C161O-LM3V HA-Step	SP000011624	C161OLM3VHAFXUMA1	PG-MQFP-80-1	as SAB-C161O-LM3V, -40°C to 85°C, tape & reel

SMD = Surface Mounted Device

Microcontrollers

Type	Ordering Code	Orderable Part Number	Package	Description
Microcontrollers, 16-bit				
C166 Family				
C161PI Series				
SAB-C161PI-LF CA-Step	SP000014344	C161PILFCABXUMA1	PG-TQFP-100-1	ROMless, 3-Kbyte RAM, 8-bit ADC, real time clock, general purpose timer units, I ² C Bus, USART, watchdog timer, idle and power down mode, operating range 5V, 10-bit ADC, 20-MHz clock frequency, 0°C to 70°C, tape & reel
SAF-C161PI-LF CA-Step	SP000014359	C161PILFCAFXUMA1	PG-TQFP-100-1	as SAB-C161PI-LF, -40°C to 85°C, tape & reel
SAB-C161PI-LF3V CA-Step	SP000014360	C161PILF3VCABXUMA1	PG-TQFP-100-1	as SAB-C161PI-LF, operating range 3V, tape & reel
SAF-C161PI-LF3V CA-Step	SP000014361	C161PILF3VCAFXUMA1	PG-TQFP-100-1	as SAB-C161PI-LF 3V, -40°C to 85°C, tape & reel
SAB-C161PI-L25F CA-Step	SP000014362	C161PIL25FCABXUMA1	PG-TQFP-100-1	as SAB-C161PI-LF, 25-MHz clock frequency, tape & reel
SAF-C161PI-L25F CA-Step	SP000014363	C161PIL25FCAFXUMA1	PG-TQFP-100-1	as SAB-C161PI-L25F, -40°C to 85°C, tape & reel
SAB-C161PI-LM CA-Step	SP000014345	C161PILMCABXUMA1	PG-MQFP-100-2	as SAB-C161PI-LF, MQFP package, tape & reel
SAF-C161PI-LM CA-Step	SP000014364	C161PILMCAFXUMA1	PG-MQFP-100-2	as SAB-C161PI-LM, -40°C to 85°C, tape & reel
SAB-C161PI-LM3V CA-Step	SP000014365	C161PILM3VCABXUMA1	PG-MQFP-100-2	as SAB-C161PI-LM, operating range 3V, tape & reel
SAF-C161PI-LM3V CA-Step	SP000014366	C161PILM3VCAFXUMA1	PG-MQFP-100-2	as SAB-C161PI-LM 3V, -40°C to 85°C, tape & reel
SAB-C161PI-L25M CA-Step	SP000014367	C161PIL25MCABXUMA1	PG-MQFP-100-2	as SAB-C161PI-LM, 25-MHz clock frequency, tape & reel
SAF-C161PI-L25M CA-Step	SP000014368	C161PIL25MCAFXUMA1	PG-MQFP-100-2	as SAB-C161PI-L25M, -40°C to 85°C, tape & reel
C161S Series				
SAB-C161S-L25M AA-Step	SP000014739	C161SL25MAABXUMA1	PG-MQFP-80-7	as SAB-C161PI-LM, low cost version, 25-MHz clock frequency, 0°C to 70°C, tape & reel
SAF-C161S-L25M AA-Step	SP000014947	C161SL25MAAFXUMA1	PG-MQFP-80-7	as SAB-C161S-L25M, -40°C to 85°C, tape & reel
SAB-C161S-LM3V AA-Step	SP000014946	C161SLM3VAABXUMA1	PG-MQFP-80-7	as SAB-C161PI-LM, low cost version, operating range 3V, tape & reel
SAF-C161S-LM3V AA-Step	SP000014948	C161SLM3VAAFXUMA1	PG-MQFP-80-7	as SAB-C161PI-LM, -40°C to 85°C, tape & reel

SMD = Surface Mounted Device

Type	Ordering Code	Orderable Part Number	Package	Description
Microcontrollers, 16-bit				
C166 Family				
C164CI Series				
SAF-C164CI-LM CA+-Step	SP000103495	C164CILMCAFXUMA1	PG-MQFP-80-7	ROMless, 4-Kbyte on-chip static RAM, 10-bit- ADC, real time clock, programmable watchdog timer, oscillator watchdog, idle and power down mode, full CAN-controller (V 2.0 B active), 20-MHz clock frequency, -40°C to 85°C, tape & reel
SAK-C164CI-LM CA+-Step	SP000103497	C164CILMCAKXUMA1	PG-MQFP-80-7	as SAF-C164CI-LM, -40°C to 125°C, tape & reel
SAK-C164CI-L25M CA+-Step	SP000103496	C164CIL25MCAKXUMA1	PG-MQFP-80-7	as SAF-C164CI-LM, 25-MHz clock frequency, tape & reel
SAB-C164CI-LM3V CA+-Step	SP000103494	C164CILM3VCABXUMA1	PG-MQFP-80-7	as SAF-C164CI-LM, operating range 3V, 0°C to 70°C, tape & reel
SAF-C164CI-8EM CB-Step	SP000103498	C164CI8EMCBFXQMA1	PG-MQFP-80-7	as SAF-C164CI-LM, 64-Kbyte OTP-memory, 4-Kbyte on-chip static RAM, 10-bit ADC, real time clock, programmable watchdog timer, oscillator watchdog, idle and power down mode, full CAN-controller (V 2.0 B active), drive control unit, 20-MHz clock frequency, -40°C to 85°C, tray
SAF-C164CI-8EM CB-Step	SP000103499	C164CI8EMCBFXUMA1	PG-MQFP-80-7	as SAF-C164CI-8EM, tape & reel
SAF-C164CI-8EM DB-Step	SP000104055	C164CI8EMDBFXQMA1	PG-MQFP-80-7	as SAF-C164CI-8EM, DB-Step, tray
SAF-C164CI-8EM DB-Step	SP000104056	C164CI8EMDBFXUMA1	PG-MQFP-80-7	as SAF-C164CI-8EM, DB-Step, tape & reel
SAK-C164CI-8EM CB-Step	SP000103500	C164CI8EMCBKXQMA1	PG-MQFP-80-7	as SAF-C164CI-8M, -40°C to 125°C, tray
SAK-C164CI-8EM CB-Step	SP000103501	C164CI8EMCBKXUMA1	PG-MQFP-80-7	as SAK-C164CI-8EM, tape & reel
SAK-C164CI-8EM DB-Step	SP000104059	C164CI8EMDBKXQMA1	PG-MQFP-80-7	as SAK-C164CI-8EM, DB-Step, tray
SAK-C164CI-8EM DB-Step	SP000104060	C164CI8EMDBKXUMA1	PG-MQFP-80-7	as SAK-C164CI-8EM, tape & reel
SAF-C164CI-8E25M DB-Step	SP000104053	C164CI8E25MDBFXQMA1	PG-MQFP-80-7	as SAF-C164CI-8EM, 25-MHz clock frequency, tray
SAF-C164CI-8E25M DB-Step	SP000104054	C164CI8E25MDBFXUMA1	PG-MQFP-80-7	as SAF-C164CI-8E25M, tape & reel
SAK-C164CI-8E25M DB-Step	SP000104057	C164CI8E25MDBKXQMA1	PG-MQFP-80-7	as SAF-C164CI-825M, tray
SAK-C164CI-8E25M DB-Step	SP000104058	C164CI8E25MDBKXUMA1	PG-MQFP-80-7	as SAK-C164CI-8E25M, tape & reel
SAF-C164CI-8RM CA-Step	SP000957756	C164CI8RMCAFZZA1	PG-MQFP-80-7	as SAF-C164CI-8EM, 64-Kbyte ROM, tape & reel

SMD = Surface Mounted Device

Microcontrollers

Type	Ordering Code	Orderable Part Number	Package	Description
Microcontrollers, 16-bit				
C166 Family C164CM Series				
SAF-C164CM-4EF AB-Step	SP000104062	C164CM4EFABFXUMA1	PG-TQFP-64-4	32-Kbyte OTP memory, 2-Kbyte on-chip static RAM, 10-bit ADC, real time clock, programmable watchdog timer, oscillator watchdog, on-chip CAN-interface (V 2.0 B active), drive control unit, 20-MHz clock frequency, -40°C to 85°C, tape & reel
SAK-C164CM-4EF AB-Step	SP000104063	C164CM4EFABKXUMA1	PG-TQFP-64-4	as SAF-C164CM-4EF, -40°C to 125°C, tape & reel

C165 Series

SAB-C165-LF HA-Step	SP000011595	C165LFHABXQMA1	PG-TQFP-100-1	ROMless, 2-Kbyte RAM, MCU-Core, additional 8 fast ext. interrupt inputs, 16-Mbyte address range, watchdog timer, 2 complex timer units, 2 serial interfaces, operating range 5V, 20-MHz clock frequency, 0°C to 70°C, tray
SAB-C165-LF HA-Step	SP000011596	C165LFHABXUMA1	PG-TQFP-100-1	as SAB-C165-LF, tape & reel
SAF-C165-LF HA-Step	SP000011631	C165LFHAFXUMA1	PG-TQFP-100-1	as SAB-C165-LF, -40°C to 85°C, tape & reel
SAB-C165-LF3V HA-Step	SP000011597	C165LF3VHABXUMA1	PG-TQFP-100-1	as SAB-C165-LF, operating range 3V, tape & reel
SAF-C165-LF3V HA-Step	SP000011632	C165LF3VHAFXUMA1	PG-TQFP-100-1	as SAB-C165-LF3V, -40°C to 85°C, tape & reel
SAB-C165-L25F HA-Step	SP000011591	C165L25FHABFQMA1	PG-TQFP-100-1	as SAB-C165-LF, 25-MHz clock frequency, tray
SAB-C165-L25F HA-Step	SP000011592	C165L25FHABXUMA1	PG-TQFP-100-1	as SAB-C165-LF, tape & reel
SAF-C165-L25F HA-Step	SP000012870	C165L25FHAFXUMA1	PG-TQFP-100-1	as SAB-C165-L25F, -40°C to 85°C, tape & reel
SAB-C165-LM HA-Step	SP000011598	C165LMHABXQMA1	PG-MQFP-100-2	as SAB-C165-LF, MQFP package, tray
SAB-C165-LM HA-Step	SP000011599	C165LMHABXUMA1	PG-MQFP-100-2	as SAB-C165-LM, tape & reel
SAF-C165-LM HA-Step	SP000011633	C165LMHAFXQMA1	PG-MQFP-100-2	as SAB-C165-LM, -40°C to 85°C, tray
SAF-C165-LM HA-Step	SP000011634	C165LMHAFXUMA1	PG-MQFP-100-2	as SAB-C165-LM, tape & reel
SAF-C165-LM3V HA-Step	SP000011635	C165LM3VHAFXUMA1	PG-MQFP-100-2	as SAB-C165-LM, operating range 3V, -40°C to 85°C, tape & reel
SAB-C165-L25M HA-Step	SP000011593	C165L25MHABXQMA1	PG-MQFP-100-2	as SAB-C165-LM, 25-MHz clock frequency, tray
SAB-C165-L25M HA-Step	SP000011594	C165L25MHABXUMA1	PG-MQFP-100-2	as SAB-C165-LM, tape & reel
SAF-C165-L25M HA-Step	SP000011629	C165L25MHAFXQMA1	PG-MQFP-100-2	as SAB-C165-L25M, -40°C to 85°C, tray
SAF-C165-L25M HA-Step	SP000011630	C165L25MHAFXUMA1	PG-MQFP-100-2	as SAB-C165-LM, tape & reel

SMD = Surface Mounted Device

Type	Ordering Code	Orderable Part Number	Package	Description
Microcontrollers, 16-bit				
C166 Family C167CR Series				
SAB-C167CR-LM HA+-Step	SP000103462	C167CRLMHABXQLA1	PG-MQFP-144-6	ROMless, 2 × 2-Kbyte RAM, MCU-Core, 10-bit A/D converter, PWM unit, additional 8 fast ext. interrupt inputs, 16-Mbyte address range, watchdog timer, 2 complex timer units, two capture/compare units (32 registers, 4 timers), additional I/O lines, 2 serial interfaces, with CAN, with PLL, 20-MHz clock frequency, 0°C to 70°C, tray
SAB-C167CR-LM HA+-Step	SP000103463	C167CRLMHABXUMA1	PG-MQFP-144-6	as SAB-C167CR-LM, tape & reel
SAF-C167CR-LM HA+-Step	SP000103464	C167CRLMHAFXQLA1	PG-MQFP-144-6	as SAF-C167CR-LM, tray
SAF-C167CR-LM HA+-Step	SP000103465	C167CRLMHAFXUMA1	PG-MQFP-144-6	as SAF-C167CR-LM, tape & reel
SAK-C167CR-LM HA+-Step	SP000103466	C167CRLMHAKXQLA1	PG-MQFP-144-6	as SAK-C167CR-LM, HA+-Step, tray
SAK-C167CR-LM HA+-Step	SP000103467	C167CRLMHAKXUMA1	PG-MQFP-144-6	as SAK-C167CR-LM, HA+-Step, tape & reel
SAK-C167CR-L33M HA+-Step	SP000103460	C167CRL33MHAKXQLA1	PG-MQFP-144-6	as SAK-C167CR-L33M, HA+-Step, tray
SAK-C167CR-L33M HA+-Step	SP000103461	C167CRL33MHAKXUMA1	PG-MQFP-144-6	as SAK-C167CR-L33M, HA+-Step, tape & reel

C167CS Series

SAB-C167CS-LM CA+-Step	SP000103483	C167CSLMCABXQLA1	PG-MQFP-144-6	as SAB-C167CR-LM, two on-chip CAN-interfaces, tray
SAB-C167CS-LM CA+-Step	SP000103484	C167CSLMCABXUMA1	PG-MQFP-144-6	as SAB-C167CS-LM, tape & reel
SAF-C167CS-LM CA+-Step	SP000103487	C167CSLMCAFXQLA1	PG-MQFP-144-6	as SAB-C167CS-LM, -40°C to 85°C, tray
SAF-C167CS-LM CA+-Step	SP000103488	C167CSLMCAFXUMA1	PG-MQFP-144-6	as SAF-C167CS-LM, tape & reel
SAK-C167CS-LM CA+-Step	SP000103492	C167CSLMCAKXQLA1	PG-MQFP-144-6	as SAB-C167CS-LM, -40°C to 125°C, tray
SAK-C167CS-LM CA+-Step	SP000103493	C167CSLMCAKXUMA1	PG-MQFP-144-6	as SAK-C167CS-LM, tape & reel
SAF-C167CS-L16M3V CA+-Step	SP000103469	C167CSL16M3VCAFXQLA1	PG-MQFP-144-6	as SAB-C167CS-LM, 16-MHz clock frequency, operating range 3V, tray
SAF-C167CS-L16M3V CA+-Step	SP000103470	C167CSL16M3VCAFXUMA1	PG-MQFP-144-6	as SAF-C167CS-L16M3V, tape & reel
SAF-C167CS-L33M CA+-Step	SP000103485	C167CSL33MCAFXQLA1	PG-MQFP-144-6	as SAB-C167CS-LM, 33-MHz clock frequency, -40°C to 85°C, tray
SAF-C167CS-L33M CA+-Step	SP000103486	C167CSL33MCAFXUMA1	PG-MQFP-144-6	as SAF-C167CS-L33M, tape & reel
SAK-C167CS-L33M CA+-Step	SP000103489	C167CSL33MCAKXUMA1	PG-MQFP-144-6	as SAF-C167CS-L33M, -40°C to 125°C, tape & reel

SMD = Surface Mounted Device

Microcontrollers

Type	Ordering Code	Orderable Part Number	Package	Description
Microcontrollers, 16-bit				
C166 Family				
C167CS Series				
(cont'd)				
SAB-C167CS-L40M CA+-Step	SP000103471	C167CSL40MCABXQLA1	PG-MQFP-144-6	as SAB-C167CS-LM, 40-MHz clock frequency, tray
SAB-C167CS-L40M CA+-Step	SP000103468	C167CSL40MCABXUMA1	PG-MQFP-144-6	as SAB-C167CS-LM, 40-MHz clock frequency, tape & reel
SAK167CS-L40M CA+-Step	SP000103490	C167CSL40MCAKXQLA1	PG-MQFP-144-6	as SAB-C167CS-L40M, -40°C to 125°C, tray
SAK-C167CS-L40M CA+-Step	SP000103491	C167CSL40MCAKXUMA1	PG-MQFP-144-6	as SAK-C167CS-L40M, tape & reel
C167SR Series				
SAB-C167SR-LM HA+-Step	SP000103456	C167SRLMHABXQLA1	PG-MQFP-144-6	as SAB-C167CR-LM, without CAN interface, tray
SAB-C167SR-LM HA+-Step	SP000103457	C167SRLMHABXUMA1	PG-MQFP-144-6	as SAB-C167SR-LM, tape & reel
SAK-C167SR-LM HA+-Step	SP000103458	C167SRLMHAKXQLA1	PG-MQFP-144-6	as SAB-C167SR-LM, -40°C to 125°C, tray
SAK-C167SR-LM HA+-Step	SP000103459	C167SRLMHAKXUMA1	PG-MQFP-144-6	as SAK-C167SR-LM, tape & reel

SMD = Surface Mounted Device

Type	Ordering Code	Orderable Part Number	Package	Description
Microcontrollers, 16-bit				
XE166 Family				
XE160 Series				
■ SAK-XE160FU-4F40R AA-Step	SP000859272	XE160FU4F40RAAKXUMA1	PG-TSSOP-38-8	Real time signal controller/ Compact Line 32-Kbyte on-chip program memory (flash memory), 4-Kbyte on-chip program/data SRAM (PSRAM), memory protection unit (MPU), programmable watchdog timer, oscillator watchdog, one 16-channel purpose capture/compare unit (CAPCOM2), capture/compare unit (CCU60), 8-channel 12-bit A/D converter, two serial interface channels, 40-MHz clock frequency, -40°C to 125°C, tape & reel
■ SAF-XE160FU-4F66R AA-Step	SP000859274	XE160FU4F66RAAFXUMA1	PG-TSSOP-38-8	as SAK-XE160FU-4F40R 66-MHz clock frequency, -40°C to 85°C, tape & reel
■ SAK-XE160FU-8F40R AA-Step	SP000859276	XE160FU8F40RAAKXUMA1	PG-TSSOP-38-8	as SAK-XE160FU-4F40R 64-Kbyte on-chip program memory (flash memory), tape & reel
SAF-XE160FU-8F66R AA-Step	SP000859278	XE160FU8F66RAAFXUMA1	PG-TSSOP-38-8	as SAK-XE160FU-8F40R 66-MHz clock frequency, -40°C to 85°C, tape & reel

XE161 Series

■ SAK-XE161FL-12F66V AA-Step	SP000859296	XE161FL12F66VAAKXUMA1	PG-VQFN-48-54	Real time signal controller/ Econo Line 96-Kbyte on-chip program memory (flash memory), 4-Kbyte on-chip program/data SRAM (PSRAM), memory protection unit (MPU), programmable watchdog timer, oscillator watchdog, one 16-channel purpose capture/ compare unit (CAPCOM2), two capture/compare units (CCU60), 10-channel 12-bit A/D converter, two Full-CAN nodes, four serial interface channels, 66-MHz clock frequency, -40°C to 125°C, tape & reel
SAK-XE161FL-20F66V AA-Step	SP000859288	XE161FL20F66VAAKXUMA1	PG-VQFN-48-54	as SAK-XE161FL-12F66V, 160-Kbyte on-chip program memory (flash memory), tape & reel
■ SAF-XE161FL-12F80V AA-Step	SP000859298	XE161FL12F80VAAFUMA1	PG-VQFN-48-54	as SAK-XE161FL-20F66V, 96-Kbyte on-chip program memory (flash memory), 80-MHz clock frequency, -40°C to 85°C, tape & reel

SMD = Surface Mounted Device

Microcontrollers

Type	Ordering Code	Orderable Part Number	Package	Description
Microcontrollers, 16-bit				
XE166 Family				
XE161 Series				
(cont'd)				
SAF-XE161FL-20F80V AA-Step	SP000859290	XE161FL20F80VAAFUMA1	PG-VQFN-48-54	as SAF-XE161FL-12F80V 160-Kbyte on-chip program memory (flash memory), tape & reel
SAK-XE161HL-12F66V AA-Step	SP000859300	XE161HL12F66VAAKUMA1	PG-VQFN-48-54	as SAF-XE161FL-12F80V, no Full-CAN node, 66-MHz clock frequency, -40°C to 125°C, tape & reel
SAK-XE161HL-20F66V AA-Step	SP000859292	XE161HL20F66VAAKUMA1	PG-VQFN-48-54	as SAK-XE161FL-12F66V, 160-Kbyte on-chip program memory (flash memory), tape & reel
SAF-XE161HL-12F80V AA-Step	SP000859302	XE161HL12F80VAAFUMA1	PG-VQFN-48-54	as SAF-XE161FL-12F80V no Full-CAN node, tape & reel
SAF-XE161HL-20F80V AA-Step	SP000966484	XE161HL20F80VAAFUMA1	PG-VQFN-48-54	as SAF-XE161FL-20F80V no Full-CAN node, tube
SAF-XE161HL-20F80V AA-Step	SP000859294	XE161HL20F80VAAFUMA1	PG-VQFN-48-54	as SAF-XE161HL-20F80V, tape & reel
■ SAF-XE161FU-4F66V AA-Step	SP000859282	XE161FU4F66VAAFUMA1	PG-VQFN-48-54	Real time signal controller/ Compact Line 32-Kbyte on-chip program memory (flash memory), 4-Kbyte on-chip program/data SRAM (PSRAM), memory protection unit (MPU), programmable watchdog timer, oscillator watchdog, one 16-channel purpose capture/compare unit (CAPCOM2), two capture/compare units (CCU60), 10-channel 12-bit A/D converter, two serial interface channels, 66-MHz clock frequency, -40°C to 85°C, tape & reel
SAF-XE161FU-8F66V AA-Step	SP000859286	XE161FU8F66VAAFUMA1	PG-VQFN-48-54	as SAF-XE161FU-4F66V, 64-Kbyte on-chip program memory (flash memory), tape & reel
■ SAK-XE161FU-4F40V AA-Step	SP000859280	XE161FU4F40VAAKUMA1	PG-VQFN-48-54	as SAF-XE161FU-4F66V, 40-MHz clock frequency, -40°C to 125°C, tape & reel
SAK-XE161FU-8F40V AA-Step	SP000859284	XE161FU8F40VAAKUMA1	PG-VQFN-48-54	as SAK-XE161FU-4F40V, 64-Kbyte on-chip program memory (flash memory), tape & reel

SMD = Surface Mounted Device

Type	Ordering Code	Orderable Part Number	Package	Description
Microcontrollers, 16-bit				
XE166 Family				
XE162 Series				
■ SAK-XE162FL-12F66L AA-Step	SP000859312	XE162FL12F66LAAKXQSA1	PG-LQFP-64-22	Real time signal controller/ Econo Line 96-Kbyte on-chip program memory (flash memory), 4-Kbyte on-chip program/data SRAM (PSRAM), memory protection unit (MPU), programmable watchdog timer, oscillator watchdog, one 16-channel purpose capture/compare unit (CAPCOM2), two capture/compare units (CCU60), 19-channel 12-bit A/D converter, two Full-CAN nodes, four serial interface channels, 66-MHz clock frequency, -40°C to 125°C, tray
■ SAF-XE162FL-12F80L AA-Step	SP000859314	XE162FL12F80LAAFQSA1	PG-LQFP-64-22	as SAK-XE162FL-12F66L, 80-MHz clock frequency, -40°C to 85°C, tray
SAF-XE162FL-20F80L AA-Step	SP000859306	XE162FL20F80LAAFQSA1	PG-LQFP-64-22	as SAF-XE162FL-12F80L, 160-Kbyte on-chip program memory (flash memory), tray
SAK-XE162FL-20F66L AA-Step	SP000859304	XE162FL20F66LAAKXUMA1	PG-LQFP-64-22	as SAF-XE162FL-12F80L, 160-Kbyte on-chip program memory (flash memory), 4-Kbyte on-chip program/data SRAM (PSRAM), 66-MHz clock frequency, -40°C to 125°C, tape & reel
■ SAF-XE162FM-24F80L AA-Step	SP000397634	XE162FM24F80LAAFQUMA1	PG-LQFP-64-13	Real time signal controller/Base Line 192-Kbyte on-chip program memory (flash memory), 10-Kbyte on-chip program/data SRAM (PSRAM), memory protection unit (MPU), one 16-channel purpose capture/compare unit (CAPCOM2), programmable watchdog timer, oscillator watchdog, capture/compare unit (CCU60), 7 + 2-channel 10-bit A/D converter, six serial interface, two Full-CAN nodes, 80-MHz clock frequency, -40°C to 85°C, tape & reel
SAF-XE162FM-72F80L AA-Step	SP000397630	XE162FM72F80LAAFQUMA1	PG-LQFP-64-13	as SAFXE162FM-24F80L, 576-Kbyte on-chip program memory (flash memory), 32-Kbyte on-chip program/data SRAM (PSRAM), tape & reel
■ SAF-XE162FN-16F80L AA-Step	SP000518060	XE162FN16F80LAAFQUMA1	PG-LQFP-64-13	as SAF-XE162FM-24F80L, Value Line 128-Kbyte on-chip program memory (flash memory), 16-Kbyte on-chip program/data SRAM (PSRAM), tape & reel

SMD = Surface Mounted Device

Microcontrollers

Type	Ordering Code	Orderable Part Number	Package	Description
Microcontrollers, 16-bit				
XE166 Family				
XE162 Series				
(cont'd)				
■ SAF-XE162FN-24F80L AA-Step	SP000518062	XE162FN24F80LAAFUMA1	PG-LQFP-64-13	as SAF-XE162FN-16F80L, 192-Kbyte on-chip program memory (flash memory), tape & reel
■ SAF-XE162FN-40F80L AA-Step	SP000726684	XE162FN40F80LAAFQSA1	PG-LQFP-64-13	as SAF-XE162FN-24F80L, 320-Kbyte on-chip program memory (flash memory), tray
■ SAK-XE162FN-40F80L AA-Step	SP000726686	XE162FN40F80LAAKXQSA1	PG-LQFP-64-13	as SAF-XE162FN-40F80L, -40°C to 125°C, tray
■ SAK-XE162FN-40F80L AA-Step	SP000634794	XE162FN40F80LAAKXUMA1	PG-LQFP-64-13	as SAK-XE162FN-40F80L, tape & reel
■ SAK-XE162HL-12F66L AA-Step	SP000859316	XE162HL12F66LAAKXQSA1	PG-LQFP-64-22	Real time signal controller/ Econo Line 96-Kbyte on-chip program memory (flash memory), 4-Kbyte on-chip program/data SRAM (PSRAM), memory protection unit (MPU), programmable watchdog timer, oscillator watchdog, one 16-channel purpose capture/compare unit (CAPCOM2), two capture/compare units (CCU60), 19-channel 12-bit A/D converter, two Full-CAN nodes, four serial interface channels, 66-MHz clock frequency, -40°C to 125°C, tray
SAK-XE162HL-20F66L AA-Step	SP000859308	XE162HL20F66LAAKXQSA1	PG-LQFP-64-22	as SAF-XE162HL-12F66L, 160-Kbyte on-chip program memory (flash memory), tray
■ SAF-XE162HL-12F80L AA-Step	SP000859318	XE162HL12F80LAAFQSA1	PG-LQFP-64-22	as SAK-XE162HL-12F66L, 80-MHz clock frequency, -40°C to 85°C, tray
■ SAF-XE162HL-20F80L AA-Step	SP000859310	XE162HL20F80LAAFQSA1	PG-LQFP-64-22	as SAF-XE162HL-12F80L, 160-Kbyte on-chip program memory (flash memory), tray
▼ SAF-XE162HL-20F80L AA-Step	SP000966486	XE162HL20F80LAAFQSA2	PG-LQFP-64-22	as SAF-XE162HL-12F80L, 160-Kbyte on-chip program memory (flash memory), tray
SAF-XE162HM-72F80L AA-Step	SP000397638	XE162HM72F80LAAFUMA1	PG-LQFP-64-13	as SAF-XE162FM-72F80L/ High Line, no Full-CAN node, -40°C to 85°C, tape & reel
■ SAF-XE162HN-16F80L AA-Step	SP000518066	XE162HN16F80LAAFUMA1	PG-LQFP-64-13	as SAK-XE162FN-40F80L, Value Line 128-Kbyte on-chip program memory (flash memory), 8-Kbyte on-chip program/data SRAM (PSRAM), no Full-CAN node, -40°C to 85°C, tape & reel

SMD = Surface Mounted Device

Type	Ordering Code	Orderable Part Number	Package	Description
Microcontrollers, 16-bit				
XE166 Family				
XE162 Series				
(cont'd)				
■ SAF-XE162HN-24F80L AA-Step	SP000518068	XE162HN24F80LAAFXUMA1	PG-LQFP-64-13	as SAF-XE162HN-16F80L, 192-Kbyte on-chip program memory (flash memory), tape & reel
SAK-XE162HN-24F80L AA-Step	SP000692014	XE162HN24F80LAAKXUMA1	PG-LQFP-64-13	as SAF-XE162HN-24F80L, -40°C to 125°C, tape & reel
■ SAK-XE162HN-40F80L AA-Step	SP000692016	XE162HN40F80LAAKXUMA1	PG-LQFP-64-13	as SAF-XE162FN-24F80L, 320-Kbyte on-chip program memory (flash memory), 16-Kbyte on-chip program/data SRAM (PSRAM), -40°C to 125°C, tape & reel

SMD = Surface Mounted Device

Microcontrollers

Type	Ordering Code	Orderable Part Number	Package	Description
Microcontrollers, 16-bit				
XE166 Family				
XE164F Series				
■ SAF-XE164F-24F66L AC-Step	SP000363794	XE164F24F66LACFXQMA1	PG-LQFP-100-3	Real time signal controller High performance CPU with five-stage pipeline, 192-Kbyte on-chip program memory (flash memory), 10-Kbyte on-chip program/data SRAM (PSRAM), programmable watchdog timer, oscillator watchdog, one 16-channel purpose capture/compare unit (CAPCOM2), three capture/compare units (CCU6), 11 + 5-channel 10-bit A/D converter, four Full-CAN nodes, six serial interface channels, 66-MHz clock frequency, -40°C to 85°C, tray
■ SAF-XE164F-24F66L AC-Step	SP000363793	XE164F24F66LACFXUMA1	PG-LQFP-100-3	as SAF-XE164F-24F66L, tape & reel
■ SAF-XE164F-48F66L AC-Step	SP000363785	XE164F48F66LACFXQMA1	PG-LQFP-100-3	as SAF-XE164F-24F66L, 384-Kbyte on-chip program memory (flash memory), 16-Kbyte on-chip program/data SRAM (PSRAM), tray
■ SAF-XE164F-48F66L AC-Step	SP000363784	XE164F48F66LACFXUMA1	PG-LQFP-100-3	as SAF-XE164F-48F66L, tape & reel
■ SAF-XE164F-72F66L AC-Step	SP000363775	XE164F72F66LACFXQMA1	PG-LQFP-100-3	as SAF-XE164F-24F66L, 576-Kbyte on-chip program memory (flash memory), 32-Kbyte on-chip program/data SRAM (PSRAM), tray
■ SAF-XE164F-96F66L AC-Step	SP000363762	XE164F96F66LACFXQMA1	PG-LQFP-100-3	as SAF-XE164F-72F66L, 768-Kbyte on-chip program memory (flash memory), 64-Kbyte on-chip program/data SRAM (PSRAM), tray
■ SAF-XE164F-96F66L AC-Step	SP000363761	XE164F96F66LACFXUMA1	PG-LQFP-100-3	as SAF-XE164F-96F66L, tape & reel
■ SAF-XE164F-96F80L AC-Step	SP000884948	XE164F96F80LACFXQMA1	PG-LQFP-100-3	as SAF-XE164F-96F66L, 80-MHz clock frequency, tray
SAF-XE164F-96F80L AC-Step	SP000450812	XE164F96F80LACFXUMA1	PG-LQFP-100-3	as SAF-XE164F-96F80L, tape & reel
■ SAF-XE164FM-24F80L AA-Step	SP000397562	XE164FM24F80LAAFUMA1	PG-LQFP-100-8	as SAF-XE164F-24F66L, Base Line, memory protection unit (MPU), 80-MHz clock frequency, -40°C to 85°C, tape & reel
■ SAK-XE164FM-48F80L AA-Step	SP000628602	XE164FM48F80LAAKXUMA1	PG-LQFP-100-8	as SAF-XE164FM-24F80L, 384-Kbyte on-chip program memory (flash memory), 16-Kbyte on-chip program/data SRAM (PSRAM), -40°C to 125°C, tape & reel

SMD = Surface Mounted Device

Type	Ordering Code	Orderable Part Number	Package	Description
Microcontrollers, 16-bit				
XE166 Family				
XE164F Series				
(cont'd)				
■ SAF-XE164FM-72F80L AA-Step	SP000397558	XE164FM72F80LAAFUMA1	PG-LQFP-100-8	as SAF-XE164FM-24F80L, 576-Kbyte on-chip program memory (flash memory), 32-Kbyte on-chip program/data SRAM (PSRAM), tape & reel
SAK-XE164FM-72F80L AA-Step	SP000628606	XE164FM72F80LAAKUMA1	PG-LQFP-100-8	as SAF-XE164FM-72F80L, -40°C to 125°C, tape & reel
■ SAF-XE164FN-16F80L AA-Step	SP000518034	XE164FN16F80LAAFUMA1	PG-LQFP-100-8	as SAF-XE164F-24F66L, Value Line 128-Kbyte on-chip program memory (flash memory), 8-Kbyte on-chip program/data SRAM (PSRAM), 80-MHz clock frequency, -40°C to 85°C, tape & reel
■ SAF-XE164FN-40F80L AA-Step	SP000726688	XE164FN40F80LAAFQSA1	PG-LQFP-100-8	as SAF-XE164F-24F66L, 320-Kbyte on-chip program memory (flash memory), tray
■ SAF-XE164FN-40F80L AA-Step	SP000518038	XE164FN40F80LAAFUMA1	PG-LQFP-100-8	as SAF-XE164F-24F66L, tape & reel
SAK-XE164FN-40F80L AA-Step	SP000634792	XE164FN40F80LAAKUMA1	PG-LQFP-100-8	as SAF-XE164FN-40F80L, -40°C to 125°C, tape & reel

SMD = Surface Mounted Device

Microcontrollers

Type	Ordering Code	Orderable Part Number	Package	Description
Microcontrollers, 16-bit				
XE166 Family				
XE164G Series				
■ SAF-XE164G-24F66L AC-Step	SP000363797	XE164G24F66LACFXQMA1	PG-LQFP-100-3	Real time signal controller High performance CPU with five-stage pipeline, 192-Kbyte on-chip program memory (flash memory), 10-Kbyte on-chip program/data SRAM (PSRAM), programmable watchdog timer, oscillator watchdog, one 16-channel purpose capture/compare unit (CAPCOM2), two capture/compare units (CCU6), 6+ 5-channel 10-Bit A/D converter, two Full-CAN nodes, four serial interface channels, 66-MHz clock frequency, -40°C to 85°C, tray
■ SAF-XE164G-24F66L AC-Step	SP000363795	XE164G24F66LACFXUMA1	PG-LQFP-100-3	as SAF-XE164G-24F66L, tape & reel
■ SAF-XE164G-48F66L AC-Step	SP000363787	XE164G48F66LACFXQMA1	PG-LQFP-100-3	as SAF-XE164G-24F66L, 384-Kbyte on-chip program memory (flash memory), 16-Kbyte on-chip program/data SRAM (PSRAM), tray
■ SAF-XE164G-96F66L AC-Step	SP000363764	XE164G96F66LACFXQMA1	PG-LQFP-100-3	as SAF-XE164G-24F66L, 768-Kbyte on-chip program memory (flash memory), 64-Kbyte on-chip program/data SRAM (PSRAM), tray
■ SAF-XE164GM-24F80L AA-Step	SP000397568	XE164GM24F80LAAFUMA1	PG-LQFP-100-8	as SAF-XE164G-24F66L, Base Line memory protection unit (MPU), 80-MHz clock frequency, tape & reel
■ SAF-XE164GM-72F80L AA-Step	SP000397564	XE164GM72F80LAAFUMA1	PG-LQFP-100-8	as SAF-XE164GM-24F80L, 576-Kbyte on-chip program memory (flash memory), 32-Kbyte on-chip program/data SRAM (PSRAM), tape & reel
■ SAK-XE164GM-72F80L AA-Step	SP000628618	XE164GM72F80LAAKXUMA1	PG-LQFP-100-8	as SAF-XE164GM-72F80L, -40°C to 125°C, tape & reel

SMD = Surface Mounted Device

Type	Ordering Code	Orderable Part Number	Package	Description
Microcontrollers, 16-bit				
XE166 Family				
XE164H Series				
■ SAF-XE164H-72F66L AC-Step	SP000363780	XE164H72F66LACFXQMA1	PG-LQFP-100-3	Real time signal controller High performance CPU with five-stage pipeline, 576-Kbyte on-chip program memory (flash memory), 32-Kbyte on-chip program/data SRAM (PSRAM), programmable watchdog timer, oscillator watchdog, one 16-channel purpose capture/compare unit (CAPCOM2), three capture/compare units (CCU6), 11 + 5-channel 10-Bit A/D converter, no Full-CAN node, six serial interface channels, 66-MHz clock frequency, -40°C to 85°C, tray
■ SAF-XE164H-72F66L AC-Step	SP000363779	XE164H72F66LACFXUMA1	PG-LQFP-100-3	as SAF-XE164H-72F66L, tape & reel
■ SAF-XE164H-96F66L AC-Step	SP000363766	XE164H96F66LACFXQMA1	PG-LQFP-100-3	as SAF-XE164H-24F66L, 768-Kbyte on-chip program memory (flash memory), 64-Kbyte on-chip program/data SRAM (PSRAM), tray
■ SAF-XE164H-96F66L AC-Step	SP000363765	XE164H96F66LACFXUMA1	PG-LQFP-100-3	as SAF-XE164H-96F66L, tape & reel
■ SAF-XE164HM-72F80L AA-Step	SP000397570	XE164HM72F80LAAFXUMA1	PG-LQFP-100-8	as SAF-XE164H-72F66L, Base Line memory protection unit (MPU), 80-MHz clock frequency, tape & reel
■ SAF-XE164HN-16F80L AA-Step	SP000518046	XE164HN16F80LAAFXUMA1	PG-LQFP-100-8	as SAF-XE164HM-72F80L, Value Line 128-Kbyte on-chip program memory (flash memory), 16-Kbyte on-chip program/data SRAM (PSRAM), -40°C to 85°C, tape & reel
■ SAF-XE164HN-40F80L AA-Step	SP000518048	XE164HN40F80LAAFXUMA1	PG-LQFP-100-8	as SAF-XE164HN-16F80L, 320-Kbyte on-chip program memory (flash memory), tape & reel

SMD = Surface Mounted Device

Microcontrollers

Type	Ordering Code	Orderable Part Number	Package	Description
Microcontrollers, 16-bit				
XE166 Family				
XE164K Series				
■ SAF-XE164K-48F66L AC-Step	SP000363791	XE164K48F66LACFXQMA1	PG-LQFP-100-3	Real time signal controller High performance CPU with five-stage pipeline, 384-Kbyte on-chip program memory (flash memory), 16-Kbyte on-chip program/data SRAM (PSRAM), programmable watchdog timer, oscillator watchdog, one 16-channel purpose capture/ compare unit (CAPCOM2), two capture/compare units (CCU6), 6 + 5-channel 10-Bit A/D converter, no Full-CAN node, four serial interface channels, 66-MHz clock frequency, -40°C to 85°C, tray
■ SAF-XE164K-96F66L AC-Step	SP000363771	XE164K96F66LACFXQMA1	PG-LQFP-100-3	as SAF-XE164K-48F66L, 768-Kbyte on-chip program memory (flash memory), 64-Kbyte on-chip program/data SRAM (PSRAM), tray
■ SAF-XE164K-96F66L AC-Step	SP000363770	XE164K96F66LACFXUMA1	PG-LQFP-100-3	as SAF-XE164K-96F66L, tape & reel
■ SAF-XE164KM-48F80L AA-Step	SP000397578	XE164KM48F80LAAFUMA1	PG-LQFP-100-8	as SAF-XE164K-48F66L, Base Line memory protection unit (MPU), 80-MHz clock frequency, tape & reel
■ SAF-XE164KM-72F80L AA-Step	SP000397576	XE164KM72F80LAAFUMA1	PG-LQFP-100-8	as SAF-XE164KM-24F80L, 576-Kbyte on-chip program memory (flash memory), 32-Kbyte on-chip program/data SRAM (PSRAM), tape & reel
■ SAF-XE164KN-16F80L AA-Step	SP000518054	XE164KN16F80LAAFUMA1	PG-LQFP-100-8	as SAF-XE164KM-24F80L, Value Line 128-Kbyte on-chip program memory (flash memory), 8-Kbyte on-chip program/data SRAM (PSRAM), tape & reel

SMD = Surface Mounted Device

Type	Ordering Code	Orderable Part Number	Package	Description
Microcontrollers, 16-bit				
XE166 Family XE167F Series				
■ SAF-XE167F-48F66L AC-Step	SP000363822	XE167F48F66LACFXQMA1	PG-LQFP-144-4	Real time signal controller 384-Kbyte on-chip program memory (flash memory), 16-Kbyte on-chip program/data SRAM (PSRAM), programmable watchdog timer, oscillator watchdog, one 16-channel purpose capture/ compare unit (CAPCOM2), four capture/ compare units (CCU6), 16 + 8-channel 10-Bit A/D converter, five Full-CAN nodes, six serial interface channels, 66-MHz clock frequency, -40°C to 85°C, tray
■ SAF-XE167F-72F66L AC-Step	SP000363813	XE167F72F66LACFXQMA1	PG-LQFP-144-4	as SAF-XE167F-48F66L, 576-Kbyte on-chip program memory (flash memory), 32-Kbyte on-chip program/data SRAM (PSRAM), tray
■ SAF-XE167F-96F66L AC-Step	SP000363803	XE167F96F66LACFXQMA1	PG-LQFP-144-4	as SAF-XE167F-48F66L, 768-Kbyte on-chip program memory (flash memory), 64-Kbyte on-chip program/data SRAM (PSRAM), tray
■ SAF-XE167F-96F66L AC-Step	SP000363802	XE167F96F66LACFXUMA1	PG-LQFP-144-4	as SAF-XE167F-96F66L, tape & reel
■ SAF-XE167F-96F80L AC-Step	SP000450816	XE167F96F80LACFXUMA1	PG-LQFP-144-4	as SAF-XE167F-96F66L, 80-MHz clock frequency, tape & reel
■ SAF-XE167FH-136F100L AB-Step	SP000874840	XE167FH136F100LABFXUMA1	PG-LQFP-144-13	Real time signal controller/ High Line 1,088-Kbyte on-chip program memory (flash memory), 112-Kbyte on-chip program/ data SRAM (PSRAM), memory protection unit (MPU), programmable watchdog timer, oscillator watchdog, two 16-channel purpose capture/ compare units (CAPCOM2), four capture/compare units (CCU6), 16 + 8-channel 10-Bit A/D converter, six Full-CAN nodes, eight serial interface channels, 100-MHz clock frequency, -40°C to 85°C, tape & reel
■ SAF-XE167FH-200F100L AB-Step	SP000845646	XE167FH200F100LABFXUMA1	PG-LQFP-144-13	as SAF-XE167FH-136F100L 1,600-Kbyte on-chip program memory (flash memory), tape & reel
SAK-XE167FH-200F100L AB-Step	SP000845650	XE167FH200F100LABKXUMA1	PG-LQFP-144-13	as SAF-XE167FH-200F100L, -40°C to 125°C, tape & reel

SMD = Surface Mounted Device

Microcontrollers

Type	Ordering Code	Orderable Part Number	Package	Description
Microcontrollers, 16-bit				
XE166 Family				
XE167F Series				
(cont'd)				
■ SAF-XE167FM-72F80L AA-Step	SP000397582	XE167FM72F80LAAFQUMA1	PG-LQFP-144-13	as SAF-XE167FH-200F100L, Base Line 576-Kbyte on-chip program memory (flash memory), 32-Kbyte on-chip program/data SRAM (PSRAM), memory protection unit (MPU), five Full-CAN nodes, six serial interface channels, 80-MHz clock frequency, -40°C to 85°C, tape & reel
■ SAK-XE167FM-72F80L AA-Step	SP000966480	XE167FM72F80LAAKXQMA1	PG-LQFP-144-13	as SAF-XE167FM-72F80L, -40°C to 125°C, tray
■ SAK-XE167FM-72F80L AA-Step	SP000628636	XE167FM72F80LAAKXUMA1	PG-LQFP-144-13	as SAK-XE167FM-72F80L, tape & reel
XE167G Series				
■ SAF-XE167G-72F66L AC-Step	SP000363815	XE167G72F66LACFXQMA1	PG-LQFP-144-4	Real time signal controller 576-Kbyte on-chip program memory (flash memory), 32-Kbyte on-chip program/data SRAM (PSRAM), programmable watchdog timer, oscillator watchdog, one 16-channel purpose capture/compare unit (CAPCOM2), two capture/compare units (CCU6), 8 + 8-channel 10-Bit A/D converter, two Full-CAN nodes, four serial interface channels, 66-MHz clock frequency, -40°C to 85°C, tray
■ SAF-XE167G-96F66L AC-Step	SP000363805	XE167G96F66LACFXQMA1	PG-LQFP-144-4	as SAF-XE167G-72F66L, 768-Kbyte on-chip program memory (flash memory), 64-Kbyte on-chip program/data SRAM (PSRAM), tray

SMD = Surface Mounted Device

Type	Ordering Code	Orderable Part Number	Package	Description
Microcontrollers, 16-bit				
XE166 Family XE167H Series				
■ SAF-XE167H-48F66L AC-Step	SP000363826	XE167H48F66LACFXQMA1	PG-LQFP-144-4	Real time signal controller 384-Kbyte on-chip program memory (flash memory), 16-Kbyte on-chip program/data SRAM (PSRAM), programmable watchdog timer, oscillator watchdog, one 16-channel purpose capture/compare unit (CAPCOM2), four capture/ compare units (CCU6), 16 + 8-channel 10-Bit A/D converter, no Full-CAN nodes, six serial interface channels, 66-MHz clock frequency, -40°C to 85°C, tray
■ SAF-XE167H-96F66L AC-Step	SP000363806	XE167H96F66LACFXUMA1	PG-LQFP-144-4	as SAF-XE167H-48F66L, 768-Kbyte on-chip program memory (flash memory), 64-Kbyte on-chip program/data SRAM (PSRAM), tape & reel
■ SAF-XE167HM-72F80L AA-Step	SP000397594	XE167HM72F80LAAFUMA1	PG-LQFP-144-13	as SAF-XE167H-48F66L, Base Line 576-Kbyte on-chip program memory (flash memory), 32-Kbyte on-chip program/data SRAM (PSRAM), memory protection unit (MPU), 80-MHz clock frequency, -40°C to 85°C, tape & reel
■ SAK-XE167HM-72F80L AA-Step	SP000628646	XE167HM72F80LAAKXUMA1	PG-LQFP-144-13	as SAF-XE167HM-72F80L, -40°C to 125°C, tape & reel

SMD = Surface Mounted Device

Microcontrollers

Type	Ordering Code	Orderable Part Number	Package	Description
Microcontrollers, 16-bit				
XE166 Family				
XE167K Series				
■ SAF-XE167K-48F66L AC-Step	SP000363828	XE167K48F66LACFXQMA1	PG-LQFP-144-4	Real time signal controller 384-Kbyte on-chip program memory (flash memory), 16-Kbyte on-chip program/data SRAM (PSRAM), programmable watchdog timer, oscillator watchdog, one 16-channel purpose capture/ compare unit (CAPCOM2), two capture/ compare units (CCU6), 8 + 8-channel 10-Bit A/D converter, no Full-CAN nodes, four serial interface channels, 66-MHz clock frequency, -40°C to 85°C, tray
■ SAF-XE167K-72F66L AC-Step	SP000363819	XE167K72F66LACFXQMA1	PG-LQFP-144-4	as SAF-XE167K-48F66L, 576-Kbyte on-chip program memory (flash memory), 32-Kbyte on-chip program/data SRAM (PSRAM), tray
■ SAF-XE167K-96F66L AC-Step	SP000363809	XE167K96F66LACFXQMA1	PG-LQFP-144-4	as SAF-XE167K-48F66L, 768-Kbyte on-chip program memory (flash memory), 64-Kbyte on-chip program/data SRAM (PSRAM), tray

XE169F Series

■ SAF-XE169FH-136F100L AB-Step	SP000874844	XE169FH136F100LABFXUMA1	PG-LQFP-176-12	Real time signal controller/ High Line 1,088-Kbyte on-chip program memory (flash memory), 112-Kbyte on-chip program/ data SRAM (PSRAM), memory protection unit (MPU), programmable watchdog timer, oscillator watchdog, two 16-channel purpose capture/ compare units (CAPCOM2), four capture/compare units (CCU6), 16 + 14-channel 10-Bit A/D converter, six Full-CAN nodes, ten serial interface channels, 100-MHz clock frequency, -40°C to 85°C, tape & reel
■ SAF-XE169FH-200F100L AB-Step	SP000874838	XE169FH200F100LABFXUMA1	PG-LQFP-176-12	as SAF-XE169FH-136F100L 1,600-Kbyte on-chip program memory (flash memory), tape & reel
■ SAK-XE169FH-200F100L AB-Step	SP000966482	XE169FH200F100LABKXQSA1	PG-LQFP-176-12	as SAF-XE169FH-200F100L -40°C to 125°C, tray
SAK-XE169FH-200F100L AB-Step	SP000845654	XE169FH200F100LABKXUMA1	PG-LQFP-176-12	as SAK-XE169FH-200F100L tape & reel

SMD = Surface Mounted Device

Type	Ordering Code	Orderable Part Number	Package	Description
Microcontrollers, 16-bit				
XC2000 Family XC22xx Series (Body)				
SAK-XC2220U-8F40V AA-Step	SP000846742	XC2220U8F40VAAKXUMA1	PG-VQFN-48-54	16/32-bit single-chip microcontroller with 32-bit performance XC2200 family/Compact Line High performance CPU with 5-stage pipeline, 64-Kbyte on-chip program memory, 4-Kbyte on-chip program/data SRAM (PSRAM), 1024 bytes on-chip special function register area (C166 family compatible), programmable watchdog timer and oscillator watchdog, capture/compare unit (CCU6), 10-channel 12-Bit A/D converter, two serial interface channels, 40-MHz clock frequency, -40°C to 125°C, tape & reel
SAK-XC2210U-4F40R AA-Step	SP000858094	XC2210U4F40RAAKXUMA1	PG-TSSOP-38-8	16/32-bit single-chip microcontroller with 32-bit performance XC2200 family/Compact Line High performance CPU with 5-stage pipeline, 32-Kbyte on-chip program memory, 8-Kbyte on-chip program/data SRAM (PSRAM), 1024 bytes on-chip special function register area (C166 family compatible), programmable watchdog timer and oscillator watchdog, capture/compare unit (CCU6), 8-channel 12-Bit A/D converter, two serial interface channels, 40-MHz clock frequency, -40°C to 125°C, tape & reel
SAK-XC2220U-4F40V AA-Step	SP000858088	XC2220U4F40VAAKFUMA1	PG-VQFN-48-54	as SAK-XC2210U-4F40R VQFN package, tape & reel
SAK-XC2224L-20F66V AA-Step	SP000846740	XC2224L20F66VAAKXUMA1	PG-VQFN-48-54	as SAK-XC2220U-8F40L, Econo Line 160-Kbyte on-chip program memory, four serial interface channels, 66-MHz clock frequency, -40°C to 125°C, tape & reel

SMD = Surface Mounted Device

Microcontrollers

Type	Ordering Code	Orderable Part Number	Package	Description
Microcontrollers, 16-bit				
XC2000 Family XC223x Series (Body)				
SAK-XC2030N-40F80L AA-Step	SP000905004	XC2030N40F80LAAKXUMA1	PG-LQFP-64-22	16/32-bit single-chip microcontroller with 32-bit performance XC2200 family/Econo Line 320-Kbyte on-chip program memory, 16-Kbyte on-chip program/data SRAM (PSRAM), 1024 bytes on-chip special function register area (C166 family compatible), programmable watchdog timer and oscillator watchdog, two capture/compare units (CCU6), 9-channel 12-Bit A/D converter, three Full-CAN nodes, six serial interface channels, 80-MHz clock frequency, -40°C to 125°C, tape & reel
SAK-XC2234L-20F66L AA-Step	SP000846738	XC2234L20F66LAAKXUMA1	PG-LQFP-64-22	16/32-bit single-chip microcontroller with 32-bit performance XC2200 family/Econo Line 160-Kbyte on-chip program memory, 4-Kbyte on-chip program/data SRAM (PSRAM), 1024 bytes on-chip special function register area (C166 family compatible), programmable watchdog timer and oscillator watchdog, two capture/compare units (CCU6), 19-channel 12-Bit A/D converter, two Full-CAN nodes, four serial interface channels, 66-MHz clock frequency, -40°C to 125°C, tape & reel
SAK-XC2236N-40F80L AA-Step	SP000605510	XC2236N40F80LAAKXUMA1	PG-LQFP-64-13	as SAK-XC2234L-20F66L, Value Line 320-Kbyte on-chip program memory, 16-Kbyte on-chip program/data SRAM (PSRAM), 7 + 2-channel 10-bit A/D converter, one Full-CAN node, 80-MHz clock frequency, tape & reel
SAH-XC2237M-104F80L AA-Step	SP000720382	XC2237M104F80LAAHXUMA1	PG-LQFP-64-13	as SAK-XC2236N-40F80L, Base Line 832-Kbyte on-chip program memory, 64-Kbyte on-chip program/data SRAM (PSRAM), six Full-CAN nodes, 80-MHz clock frequency, -40°C to 110°C, tape & reel

SMD = Surface Mounted Device

Type	Ordering Code	Orderable Part Number	Package	Description
Microcontrollers, 16-bit				
XC2000 Family				
XC223x Series (Body)				
(cont'd)				
SAK-XC2238N-24F40L AA-Step	SP000720844	XC2238N24F40LAAKXUMA1	PG-LQFP-64-13	as SAK-XC2236N-40F80L, 192-Kbyte on-chip program memory, 8-Kbyte on-chip program/data SRAM (PSRAM), six Full-CAN nodes, 40-MHz clock frequency, tape & reel
SAK-XC2238N-40F40L AA-Step	SP000691244	XC2238N40F80LAAKXUMA1	PG-LQFP-64-13	as SAK-XC2236N-24F40L, 320-Kbyte on-chip program memory, 16-Kbyte on-chip program/data SRAM (PSRAM), tape & reel

SMD = Surface Mounted Device

Microcontrollers

Type	Ordering Code	Orderable Part Number	Package	Description
Microcontrollers, 16-bit				
XC2000 Family				
XC2x6x Series (Body)				
SAK-XC2060-96F66L AC-Step	SP000919142	XC206096F66LACKXUMA1	PG-LQFP-100-3	16/32-bit single-chip microcontroller with 32-bit performance XC2200 family High performance CPU with 5-stage pipeline, 768-Kbyte on-chip program memory, 64-Kbyte on-chip program/data SRAM (PSRAM), 1024 bytes on-chip special function register area (C166 family compatible), programmable watchdog timer and oscillator watchdog, one capture/compare unit (CCU6), 11 + 5-channel 10-Bit A/D converter, five Full-CAN nodes, six serial interface channels, 66-MHz clock frequency, -40°C to 125°C, tape & reel
SAK-XC2060-96F80L AC-Step	SP000904994	XC206096F80LACKXUMA1	PG-LQFP-100-3	as SAK-XC2060-96F66L, 80-MHz clock frequency, tape & reel
SAK-XC2060N-40F80L AA-Step	SP000905002	XC2060N40F80LAAKXUMA1	PG-LQFP-100-3	as SAK-XC2060-96F66L, Value Line 320-Kbyte on-chip program memory, 16-Kbyte on-chip program/data SRAM (PSRAM), three Full-CAN nodes, six serial interface channels, 80-MHz clock frequency, tape & reel
SAK-XC2263N-24F40L AA-Step	SP000527764	XC2263N24F40LAAKXUMA1	PG-LQFP-100-3	16/32-bit single-chip microcontroller with 32-bit performance XC2200 family/Value Line High performance CPU with 5-stage pipeline, 192-Kbyte on-chip program memory, 8-Kbyte on-chip program/data SRAM (PSRAM), 1024 bytes on-chip special function register area (C166 family compatible), programmable watchdog timer and oscillator watchdog, two capture/compare units (CCU6), 11 + 5-channel 10-bit A/D converter, one Full-CAN node, four serial interface channels, 40-MHz clock frequency, -40°C to 125°C, tape & reel
SAK-XC2263N-40F40L AA-Step	SP000527768	XC2263N40F40LAAKXUMA1	PG-LQFP-100-3	as SAK-XC2263N-24F40L, 320-Kbyte on-chip program memory, 16-Kbyte on-chip program/data SRAM (PSRAM), tape & reel

SMD = Surface Mounted Device

Type	Ordering Code	Orderable Part Number	Package	Description
Microcontrollers, 16-bit				
XC2000 Family				
XC2x6x Series (Body)				
(cont'd)				
SAK-XC2264-56F66L AC-Step	SP000300114	XC226456F66LACKXUMA1	PG-LQFP-100-3	16/32-bit single-chip microcontroller with 32-bit performance XC2200 family High performance CPU with 5-stage pipeline, 448-Kbyte on-chip program memory, 16-Kbyte on-chip program/data SRAM(PSRAM), 1024 bytes on-chip special function register area (C166 family compatible), programmable watchdog timer and oscillator watchdog, one capture/compare unit (CCU6), 8-channel 10-Bit A/D converter, two Full-CAN nodes, four serial interface channels, 66-MHz clock frequency, -40°C to 125°C, tape & reel
SAK-XC2265N-40F80L AA-Step	SP000527774	XC2265N40F80LAAKXUMA1	PG-LQFP-100-3	as SAK-XC2264-56F66L, Value Line 320-Kbyte on-chip program memory, 16-Kbyte on-chip program/data SRAM (PSRAM), two capture/compare units (CCU6), 11 + 5-channel 10-bit A/D converter, three Full-CAN nodes, six serial interface channels, 80-MHz clock frequency, -40°C to 125°C, tape & reel
SAK-XC2267-56F66L AC-Step	SP000300104	XC226756F66LACKXUMA1	PG-LQFP-100-3	16/32-bit single-chip microcontroller with 32-bit performance XC2200 family High performance CPU with 5-stage pipeline, 448-Kbyte on-chip program memory, 16-Kbyte on-chip program/data SRAM (PSRAM), 1024 bytes on-chip special function register area (C166 family compatible), programmable watchdog timer and oscillator watchdog, four capture/compare unit (CCU6), 8 + 8-channel 10-Bit A/D converter, five Full-CAN nodes, six serial interface channels, 66-MHz clock frequency, -40°C to 125°C, tape & reel
SAK-XC2267-96F66L AC-Step	SP000250942	XC226796F66LACKXUMA1	PG-LQFP-100-3	as SAK-XC2267-56F66L, 768-Kbyte on-chip program memory (flash memory), 64-Kbyte on-chip program/data SRAM (PSRAM), tape & reel

SMD = Surface Mounted Device

Microcontrollers

Type	Ordering Code	Orderable Part Number	Package	Description
Microcontrollers, 16-bit				
XC2000 Family				
XC2x6x Series (Body)				
(cont'd)				
SAK-XC2267-96F80L AC-Step	SP000300101	XC226796F80LACKXUMA1	PG-LQFP-100-3	as SAK-XC2267-96F66L, 80-MHz clock frequency, tape & reel
SAK-XC2267M-72F80L AC-Step	SP000455314	XC2267M72F80LAAKXUMA1	PG-LQFP-100-8	as SAK-XC2267-96F80L, Base Line 576-Kbyte on-chip program memory, 32-Kbyte on-chip program/data SRAM (PSRAM), six Full-CAN nodes, eight serial interface channels, tape & reel
SAK-XC2267M-104F80L AC-Step	SP000398034	XC2267M104F80LAAKXUMA1	PG-LQFP-100-8	as SAK-XC2267M-72F80L, 832-Kbyte on-chip program memory, tape & reel
SAK-XC2268I-136F128L AA-Step	SP000893180	XC2268I136F128LAAKXUMA1	PG-LQFP-100-8	16/32-bit single-chip microcontroller with 32-bit performance XC2200 family/Premium Line High performance CPU with 5-stage pipeline, 1,088-Kbyte on-chip program memory, 64-Kbyte on-chip program/data SRAM (PSRAM), 1024 bytes on-chip special function register area C166 family compatible), programmable watchdog timer and oscillator watchdog, four capture/compare units (CCU6), 11 + 8-channel 10-bit A/D converter, six Full-CAN nodes, ten serial interface channels, 128-MHz clock frequency, -40°C to 125°C, tape & reel
SAK-XC2268N-40F80L AA-Step	SP000720866	XC2268N40F80LAAKXUMA1	PG-LQFP-100-8	as SAK-XC2268I-136F128L, Value Line 320-Kbyte on-chip program memory, 16-Kbyte on-chip program/data SRAM (PSRAM), two capture/compare units (CCU6), 11 + 5-channel 10-bit A/D converter, six serial interface channels, 80-MHz clock frequency, tape & reel
SAK-XC2269I-136F128L AA-Step	SP000858186	XC2269I136F128LAAKXUMA1	PG-LQFP-100-8	as SAK-XC2268I-136F128L, Premium Line two FlexRay™ nodes, tape & reel

SMD = Surface Mounted Device

Type	Ordering Code	Orderable Part Number	Package	Description
Microcontrollers, 16-bit				
XC2000 Family				
XC2x8x Series (Body)				
SAK-XC2080-96F66L AC-Step	SP000919146	XC208096F66LACKXUMA1	PG-LQFP-144-4	16/32-bit single-chip microcontroller with 32-bit performance XC2200 family High performance CPU with 5-stage pipeline, 768-Kbyte on-chip program memory, 64-Kbyte on-chip program/data SRAM(PSRAM), 1024 bytes on-chip special function register area (C166 family compatible), programmable watchdog timer and oscillator watchdog, four capture/compare unit (CCU6), 16 + 8-channel 10-Bit A/D converter, five Full-CAN nodes, six serial interface channels, 66-MHz clock frequency, -40°C to 125°C, tape & reel
SAK-XC2080-96F80L AC-Step	SP000904992	XC208096F80LACKXUMA1	PG-LQFP-144-4	as SAK-XC2080-96F66L, 80-MHz clock frequency, tape & reel
SAK-XC2080H-200F100L AB-Step	SP000905006	XC2080H200F100LABKXUMA1	PG-LQFP-144-4	as SAK-XC2080-96F66L, High Line, 1,600-Kbyte on-chip program memory, 112-Kbyte on-chip program/data SRAM (PSRAM), two FlexRay™ nodes, six Full-CAN nodes, ten serial interface channels, 100-MHz clock frequency, tape & reel
SAK-XC2287-96F66L AC-Step	SP000432418	XC228796F66LACKXUMA1	PG-LQFP-144-4	16/32-bit single-chip microcontroller with 32-bit performance XC2200 family High performance CPU with 5-stage pipeline, 768-Kbyte on-chip program memory, 64-Kbyte on-chip program/data SRAM(PSRAM), 1024 bytes on-chip special function register area (C166 family compatible), programmable watchdog timer and oscillator watchdog, four capture/compare unit (CCU6), 16 + 8-channel 10-Bit A/D converter, five Full-CAN nodes, six serial interface channels, 66-MHz clock frequency, -40°C to 125°C, tape & reel
SAK-XC2287-96F80L AC-Step	SP000300037	XC228796F80LACKXUMA1	PG-LQFP-144-4	as SAK-XC2287-96F66L, 80-MHz clock frequency, tape & reel

SMD = Surface Mounted Device

Microcontrollers

Type	Ordering Code	Orderable Part Number	Package	Description
Microcontrollers, 16-bit				
XC2000 Family				
XC2x8x Series (Body)				
(cont'd)				
SAK-XC2287M-72F80L AA-Step	SP000455428	XC2287M72F80LAAKXUMA1	PG-LQFP-144-13	as SAK-XC2287-96F66L, Base Line, 576-Kbyte on-chip program memory, 32-Kbyte on-chip program/data SRAM (PSRAM), six Full-CAN nodes, eight serial interface channels, 80-MHz clock frequency, tape & reel
SAK-XC2287M-104F80L AA-Step	SP000436560	XC2287M104F80LAAKXUMA1	PG-LQFP-144-13	as SAK-XC2287M-72F80L, 832-Kbyte on-chip program memory, tape & reel
SAK-XC2288H-200F100L AB-Step	SP000844806	XC2288H200F100LABKXUMA1	PG-LQFP-144-13	16/32-bit single-chip microcontroller with 32-bit performance XC2200 family/ High Line High performance CPU with 5-stage pipeline, 1,600-Kbyte on-chip program memory, 80-Kbyte on-chip program/data SRAM (PSRAM), 1024 bytes on-chip special function register area (C166 family compatible), programmable watchdog timer and oscillator watchdog, four capture/compare unit (CCU6), 16 + 8-channel 10-Bit A/D converter, six Full-CAN nodes, ten serial interface channels, 100-MHz clock frequency, -40°C to 125°C, tape & reel
SAK-XC2289H-200F100L AB-Step	SP000700616	XC2289H200F100LABKXUMA1	PG-LQFP-144-13	as SAK-XC2288H-200F100L, High Line, 1,600-Kbyte on-chip program memory, 112-Kbyte on-chip program/data SRAM (PSRAM), two FlexRay™ nodes, six Full-CAN nodes, tape & reel
SAK-XC2289I-136F128L AB-Step	SP000858172	XC2289I136F128LAAKXUMA1	PG-LQFP-144-16	as SAK-XC2289H-200F100, Premium Line 1,088-Kbyte on-chip program memory, 64-Kbyte on-chip program/data SRAM (PSRAM), 16+ 12-channel 12-Bit A/D converter, 128-MHz clock frequency, -40°C to 125°C, tape & reel

SMD = Surface Mounted Device

Type	Ordering Code	Orderable Part Number	Package	Description
Microcontrollers, 16-bit				
XC2000 Family XC229x Series (Body)				
SAK-XC2298H-200F100L AB-Step	SP000844810	XC2298H200F100LABKXUMA1	PG-LQFP-176-12	16/32-bit single-chip microcontroller with 32-bit performance XC2200 family/High Line High performance CPU with 5-stage pipeline, 1,600-Kbyte on-chip program memory, 112-Kbyte on-chip program/data SRAM (PSRAM), 1024 bytes on-chip special function register area (C166 family compatible), programmable watchdog timer and oscillator watchdog, four capture/compare unit (CCU6), 16 + 14-channel 10-Bit A/D converter, six Full-CAN nodes, ten serial interface channels, 100-MHz clock frequency, -40°C to 125°C, tape & reel
SAK-XC2299H-200F100L AB-Step	SP000761326	XC2299H200F100LABKXUMA1	PG-LQFP-176-12	as SAK-XC2298H-200F100L, High Line two FlexRay™ nodes, tape & reel

SMD = Surface Mounted Device

Microcontrollers

Type	Ordering Code	Orderable Part Number	Package	Description
Microcontrollers, 16-bit				
XC2000 Family XC23xx Series (Safety)				
SAK-XC2310S-8F40R AA-Step	SP000870600	XC2310S8F40RAAKXUMA1	PG-TSSOP-38-8	16/32-bit single-chip microcontroller with 32-bit performance XC2300 family/Compact Line High performance CPU with 5-stage pipeline, 64-Kbyte on-chip program memory, 4-Kbyte on-chip program/data SRAM (PSRAM), 1024 bytes on-chip special function register area (C166 family compatible), programmable watchdog timer and oscillator watchdog, one capture/compare unit (CCU6), 8-channel 12-Bit A/D converter, two serial interface channels, 40-MHz clock frequency, -40°C to 125°C, tape & reel
SAK-XC2321D-20F66V AA-Step	SP000846748	XC2321D20F66VAAKXUMA1	PG-VQFN-48-54	16/32-bit single-chip microcontroller with 32-bit performance XC2300 family/Econo Line High performance CPU with 5-stage pipeline, 160-Kbyte on-chip program memory, 4-Kbyte on-chip program/data SRAM (PSRAM), 1024 bytes on-chip special function register area (C166 family compatible), programmable watchdog timer and oscillator watchdog, two capture/compare unit (CCU6), 10-channel 12-Bit A/D converter, two Full-CAN nodes, four serial interface channels, 66-MHz clock frequency, -40°C to 125°C, tape & reel
SAK-XC2331D-12F66L AA-Step	SP000914768	XC2331D12F66LAAKFUMA1	PG-LQFP-64-22	as SAK-XC2321D-20F66V, 96-Kbyte on-chip program memory, no Full-CAN node, 19-channel 12-Bit A/D converter, LQFP package, tape & reel
SAK-XC2331D-20F66L AA-Step	SP000870660	XC2331D20F66LAAKXUMA1	PG-LQFP-64-22	as SAK-XC2321D-12F66V, 160-Kbyte on-chip program memory, -40°C to 125°C, tape & reel

SMD = Surface Mounted Device

Type	Ordering Code	Orderable Part Number	Package	Description
Microcontrollers, 16-bit				
XC2000 Family				
XC23xx Series (Safety)				
(cont'd)				
SAF-XC2336A-56F80L AA-Step	SP000722428	XC2336A56F80LAAFUMA1	PG-LQFP-64-6	16/32-bit single-chip microcontroller with 32-bit performance XC2300 family High performance CPU with 5-stage pipeline, 448-Kbyte on-chip program memory, 32-Kbyte on-chip program/data SRAM (PSRAM), 1024 bytes on-chip special function register area (C166 family compatible), programmable watchdog timer and oscillator watchdog, two capture/compare unit (CCU6), 7 + 2-channel 10-Bit A/D converter, two Full-CAN nodes, four serial interface channels, 80-MHz clock frequency, -40°C to 85°C, tape & reel
SAK-XC2336B-40F20L AA-Step	SP000559070	XC2336B40F20LAAKUMA1	PG-LQFP-64-6	as SAF-XC2336A-56F80L, 320-Kbyte on-chip program memory, 16-Kbyte on-chip program/data SRAM (PSRAM), 20-MHz clock frequency, -40°C to 125°C, tape & reel
SAK-XC2336B-40F66L AA-Step	SP000541986	XC2336B40F66LAAKUMA1	PG-LQFP-64-6	as SAK-XC2336B-40F20L, 66-MHz clock frequency, tape & reel
SAK-XC2336B-40F80L AA-Step	SP000541980	XC2336B40F80LAAKUMA1	PG-LQFP-64-6	as SAK-XC2336B-40F20L, 80-MHz clock frequency, tape & reel
SAH-XC2336B-40F80L AA-Step	SP000847032	XC2336B40F80LAAHXUMA1	PG-LQFP-64-6	as SAK-XC2336B-40F80L, -40°C to 110°C, tape & reel

SMD = Surface Mounted Device

Microcontrollers

Type	Ordering Code	Orderable Part Number	Package	Description
Microcontrollers, 16-bit				
XC2000 Family				
XC23xx Series (Safety)				
(cont'd)				
SAH-XC2361B-40F66L AA-Step	SP000365913	XC2361B40F66LAAHXUMA1	PG-LQFP-100-8	16/32-bit single-chip microcontroller with 32-bit performance XC2300 family High performance CPU with 5-stage pipeline, 320-Kbyte on-chip program memory, 16-Kbyte on-chip program/data SRAM (PSRAM), 1024 bytes on-chip special function register area (C166 family compatible), programmable watchdog timer and oscillator watchdog, two capture/compare unit (CCU6), 11 + 5-channel 10-Bit A/D converter, two Full-CAN nodes, six serial interface channels, 66-MHz clock frequency, -40°C to 110°C, tape & reel
SAH-XC2361B-40F80L AA-Step	SP000524448	XC2361B40F80LAAHXUMA1	PG-LQFP-100-8	as SAH-XC2361B40F66L, 80-MHz clock frequency, tape & reel
SAK-XC2361E-136F128L AA-Step	SP000886966	XC2361E136F128LAAKXUMA1	PG-LQFP-100-8	16/32-bit single-chip microcontroller with 32-bit performance XC2300 family High performance CPU with 5-stage pipeline, 1,088-Kbyte on-chip program memory, 90-Kbyte on-chip program/data SRAM (PSRAM), 1024 bytes on-chip special function register area (C166 family compatible), programmable watchdog timer and oscillator watchdog, two capture/compare unit (CCU6), 11 + 5-channel 10-Bit A/D converter, three Full-CAN nodes, six serial interface channels, 128-MHz clock frequency, -40°C to 125°C, tape & reel

SMD = Surface Mounted Device

Type	Ordering Code	Orderable Part Number	Package	Description
Microcontrollers, 16-bit				
XC2000 Family				
XC23xx Series (Safety)				
(cont'd)				
SAK-XC2364A-104F80L AA-Step	SP000526792	XC2364A104F80LAAKXUMA1	PG-LQFP-100-8	16/32-bit single-chip microcontroller with 32-bit performance, XC2300 family High performance CPU with 5-stage pipeline, 832-Kbyte on-chip program memory, 32-Kbyte on-chip program/data SRAM (PSRAM), 1024 bytes on-chip special function register area (C166 family compatible), programmable watchdog timer and oscillator watchdog, two capture/compare unit (CCU6), 11 + 5-channel 10-Bit A/D converter, two Full-CAN nodes, four serial interface channels, 80-MHz clock frequency, -40°C to 125°C, tape & reel
SAK-XC2364B-40F80L AA-Step	SP000541956	XC2364B40F80LAAKXUMA1	PG-LQFP-100-8	as SAK-XC2364A-104F80L, 320-Kbyte on-chip program memory, 16-Kbyte on-chip program/data SRAM (PSRAM), tape & reel
SAK-XC2365A-72F80L AA-Step	SP000448774	XC2365A72F80LAAKXUMA1	PG-LQFP-100-8	16/32-bit single-chip microcontroller with 32-bit performance XC2300 family High performance CPU with 5-stage pipeline, 576-Kbyte on-chip program memory, 32-Kbyte on-chip program/data SRAM (PSRAM), 1024 bytes on-chip special function register area (C166 family compatible), programmable watchdog timer and oscillator watchdog, two capture/compare unit (CCU6), 11 + 5-channel 10-Bit A/D converter, three Full-CAN nodes, six serial interface channels, 80-MHz clock frequency, -40°C to 125°C, tape & reel
SAK-XC2365A-104F80L AA-Step	SP000448776	XC2365A104F80LAAKXUMA1	PG-LQFP-100-8	as SAK-XC2365A-72F80L, 832-Kbyte on-chip program memory, tape & reel
SAK-XC2365B-40F80L AA-Step	SP000541896	XC2365B40F80LAAKXUMA1	PG-LQFP-100-8	as SAK-XC2365A-104F80L, 320-Kbyte on-chip program memory, 16-Kbyte on-chip program/data SRAM (PSRAM), tape & reel

SMD = Surface Mounted Device

Microcontrollers

Type	Ordering Code	Orderable Part Number	Package	Description
Microcontrollers, 16-bit				
XC2000 Family				
XC23xx Series (Safety)				
(cont'd)				
SAK-XC2387A-56F80L AA-Step	SP000526972	XC2387A56F80LAAKFUMA1	PG-LQFP-144-13	16/32-bit single-chip microcontroller with 32-bit performance XC2300 family High performance CPU with 5-stage pipeline, 448-Kbyte on-chip program memory, 32-Kbyte on-chip program/data SRAM (PSRAM), 1024 bytes on-chip special function register area (C166 family compatible), programmable watchdog timer and oscillator watchdog, four capture/compare unit (CCU6), 16+ 8-channel 10-Bit A/D converter, three Full-CAN nodes, six serial interface channels, 80-MHz clock frequency, -40°C to 125°C, tape & reel
SAK-XC2387A-104F80L AA-Step	SP000448780	XC2387A104F80LAAKXUMA1	PG-LQFP-144-13	as SAK-XC2387A-56F80L, 832-Kbyte on-chip program memory, tape & reel
SAK-XC2387C-136F100L AB-Step	SP000722460	XC2387C136F100LABKXUMA1	PG-LQFP-144-13	as SAK-XC2387-72F66L, 1,088-Kbyte on-chip program memory, 80-Kbyte on-chip program/data SRAM (PSRAM), 100-MHz clock frequency, tape & reel
▼ SAK-XC2387C-200F100L AB-Step	SP001060934	XC2387C200F100LABKXUMA1	PG-LQFP-144-13	as SAK-XC2387C-136F100L, 1,600-Kbyte on-chip program memory, tape & reel
SAK-XC2388E-136F128L AA-Step	SP000886984	XC2388E136F128LAAKXUMA1	PG-LQFP-144-13	16/32-bit single-chip microcontroller with 32-bit performance XC2300 family/Premium Line High performance CPU with 5-stage pipeline, 1,088-Kbyte on-chip program memory, 64-Kbyte on-chip program/data SRAM (PSRAM), 1024 bytes on-chip special function register area (C166 family compatible), programmable watchdog timer and oscillator watchdog, four capture/compare unit (CCU6), 16+ 8-channel 10-Bit A/D converter, three Full-CAN nodes, eight serial interface channels, 128-MHz clock frequency, two FlexRay™ nodes, -40°C to 125°C, tape & reel

SMD = Surface Mounted Device

Type	Ordering Code	Orderable Part Number	Package	Description
Microcontrollers, 16-bit				
XC2000 Family				
XC27xx Series (Powertrain)				
SAK-XC2723X-20F66V AA-Step	SP000847088	XC2723X20F66VAAKXUMA1	PG-VQFN-48-54	16/32-bit single-chip microcontroller with 32-bit performance XC2700 family/ High performance CPU with 5-stage pipeline, 160-Kbyte on-chip program memory, 4-Kbyte on-chip program/data SRAM (PSRAM), 1024 bytes on-chip special function register area (C166 family compatible), programmable watchdog timer and oscillator watchdog, two capture/compare unit (CCU6), 10-channel 12-Bit A/D converter, two Full-CAN nodes, four serial interface channels, 66-MHz clock frequency, -40°C to 125°C, tape & reel
SAK-XC2733X-20F66L AA-Step	SP000847086	XC2733X20F66LAAKXUMA1	PG-LQFP-64-22	as SAK-XC2723X-20F66V, LQFP package, 19-channel 12-Bit A/D converter, tape & reel
SAK-XC2734X-40F80L AA-Step	SP000627030	XC2734X40F80LAAKXUMA1	PG-LQFP-64-6	16/32-bit single-chip microcontroller with 32-bit performance XC2700 family High performance CPU with 5-stage pipeline, 320-Kbyte on-chip program memory, 16-Kbyte on-chip program/data SRAM(PSRAM), 1024 bytes on-chip special function register area(C166 family compatible), programmable watchdog timer and oscillator watchdog, two capture/compare unit (CCU6), 7 + 2-channel 10-Bit A/D converter, two Full-CAN nodes, four serial interface channels, 80-MHz clock frequency, -40°C to 125°C, tape & reel

SMD = Surface Mounted Device

Microcontrollers

Type	Ordering Code	Orderable Part Number	Package	Description
Microcontrollers, 16-bit				
XC2000 Family				
XC27xx Series (Powertrain)				
(cont'd)				
SAK-XC2764X-40F80L AA-Step	SP000627028	XC2764X40F80LAAKXUMA1	PG-LQFP-100-8	16/32-bit single-chip microcontroller with 32-bit performance XC2700 family/ High performance CPU with 5-stage pipeline, 320-Kbyte on-chip program memory, 16-Kbyte on-chip program/data SRAM (PSRAM), 1024 bytes on-chip special function register area (C166 family compatible), programmable watchdog timer and oscillator watchdog, two capture/compare unit (CCU6), 11 + 5-channel 10-Bit A/D converter, two Full-CAN nodes, four serial interface channels, 80-MHz clock frequency, -40°C to 125°C, tape & reel
SAK-XC2765X-72F80L AA-Step	SP000448084	XC2765X72F80LAAKXUMA1	PG-LQFP-100-8	as SAK-XC2764X-40F80L, 576-Kbyte on-chip program memory, 32-Kbyte on-chip program/data SRAM (PSRAM), four capture/compare unit (CCU6), tape & reel
SAK-XC2765X-104F80L AA-Step	SP000443762	XC2765X104F80LAAKXUMA1	PG-LQFP-100-8	as SAK-XC2765X-72F80L, 832-Kbyte on-chip program memory, tape & reel
SAK-XC2768X-136F128L AA-Step	SP000886694	XC2768X136F128LAAKXUMA1	PG-LQFP-100-8	as SAK-XC2764X-40F80L, 1,088-Kbyte on-chip program memory, 64-Kbyte on-chip program/data SRAM (PSRAM), four capture/compare unit (CCU6), six serial interface channels, 128-MHz clock frequency, tape & reel

SMD = Surface Mounted Device

Type	Ordering Code	Orderable Part Number	Package	Description
Microcontrollers, 16-bit				
XC2000 Family				
XC27xx Series (Powertrain)				
(cont'd)				
SAK-XC2785X-104F80L AA-Step	SP000439080	XC2785X104F80LAAKXUMA1	PG-LQFP-144-13	16/32-bit single-chip microcontroller with 32-bit performance XC2700 family High performance CPU with 5-stage pipeline, 832-Kbyte on-chip program memory, 32-Kbyte on-chip program/data SRAM (PSRAM), 1024 bytes on-chip special function register area (C166 family compatible), programmable watchdog timer and oscillator watchdog, four capture/compare unit (CCU6), 16 + 8-channel 10-Bit A/D converter, two Full-CAN nodes, six serial interface channels, 80-MHz clock frequency, -40°C to 125°C, tape & reel
SAF-XC2786X-96F66L AC-Step	SP000369364	XC2786X96F66LACKXUMA1	PG-LQFP-144-4	as SAK-XC2785X-104F80L, 768-Kbyte on-chip program memory, 32-Kbyte on-chip program/data SRAM (PSRAM), four serial interface channels, 66-MHz clock frequency, -40°C to 85°C, tape & reel
SAK-XC2787X-200F100L AB-Step	SP000804404	XC2787X200F100LABKXUMA1	PG-LQFP-144-13	as SAK-XC2785X-104F80L, 1,600-Kbyte on-chip program memory, 138-Kbyte on-chip program/data SRAM (PSRAM), 100-MHz clock frequency, -40°C to 125°C, tape & reel
SAK-XC2788X-136F128L AA-Step	SP000886706	XC2788X136F128LAAKXUMA1	PG-LQFP-144-13	as SAK-XC2785X-104F80L, 1,088-Kbyte on-chip program memory, 64-Kbyte on-chip program/data SRAM (PSRAM), 128-MHz clock frequency, -40°C to 125°C, tape & reel
SAK-XC2797X-200F100L AB-Step	SP000804406	XC2797X200F100LABKXUMA1	PG-LQFP-176-12	as SAK-XC2787-200F100L, 16 + 14-channel 10-Bit A/D converter, tape & reel

SMD = Surface Mounted Device

Microcontrollers

Type	Ordering Code	Orderable Part Number	Package	Description
Microcontrollers, 32-bit				
TC11xx Family				
TC119x Series (Industry)				
TC119x Series (Industry)				
■ SAK-TC1197-256F180E AC-Step	SP000627556	TC1197256F180EACKXUMA1	PG-BGA-416-10	High performance TriCore™ CPU with 4-stage pipeline 2-Mbyte flash memory, 40-Kbyte local data memory (SRAM), 64-Kbyte data flash (16-Kbyte EEPROM emulation), 16-Kbyte instruction cache, 16-channel DMA controller, two high-speed synchronous serial channel (SSC), one 16-channel A/D converter unit with selectable 8-bit, 10-bit, or 12-bit supporting 32 input channels, on-chip debug support (OCDS level 1 and 2), multiCAN module with four CAN nodes, 180-MHz clock frequency, -40°C to 125°C, tape & reel
■ SAK-TC1197-512F180E AC-Step	SP000602872	TC1197512F180EACKXUMA1	PG-BGA-416-10	as SAK-TC1197-256F180E, 4-Mbyte flash memory, tape & reel

SMD = Surface Mounted Device

Type	Ordering Code	Orderable Part Number	Package	Description
Microcontrollers, 32-bit				
TC17xx Family				
TC172 Series (Powertrain)				
▼ SAK-TC1724N-192F133HR AC-Step	SP001064674	TC1724N192F133HRACKXUMA1	PG-LQFP-144-10	High performance TriCore™ CPU with 4-stage pipeline, (AUDO MAX) 1-Mbyte flash memory, 24-Kbyte code memory (CMEM), 64-Kbyte data flash usable for EEPROM emulation, 8-Kbyte instruction cache, 16-channel DMA controller, four high-speed synchronous serial channel (SSC), 10-bit A/D conversion, on-chip debug support (OCDS level 1), multiCAN module with three CAN nodes, power management system, one 2-channel FlexRay™ module, 133-MHz clock frequency, -40°C to 125°C, tape & reel
TC173 Series (Powertrain)				
SAK-TC1736-128F80HL AC-Step	SP000366518	TC1736128F80HLAAKXQMA1	PG-LQFP-144-10	High performance TriCore™ CPU with 4-stage pipeline 1-Mbyte flash memory, 36-Kbyte local data memory (LDRAM), 32-Kbyte data flash (8-Kbyte EEPROM emulation), 8-Kbyte instruction cache, 8-channel DMA controller, two high-speed synchronous serial channel (SSC), 10-bit A/D conversion, on-chip debug support (OCDS level 1), multiCAN module with two CAN nodes, power management system, 80-MHz clock frequency, -40°C to 125°C, tray

SMD = Surface Mounted Device

Microcontrollers

Type	Ordering Code	Orderable Part Number	Package	Description
Microcontrollers, 32-bit				
TC17xx Family				
TC176 Series (Powertrain)				
(cont')				
SAK-TC1766-192F80HL BD-Step	SP000771726	TC1766192F80HLBDKXUMA2	PG-LQFP-176-5	High performance TriCore™ CPU with 4-stage pipeline 1.5-Mbyte embedded program flash, 32-Kbyte data flash, 76-Kbyte on-chip SRAM, one 32-channel analog-to-digital converter unit with 8-, 10- or 12-bit resolution, general purpose timer array module, two synchronous serial channels with programmable data length and shift direction, 2-channel fast analog-to-digital converter unit, OCDS level 1 and 2, multiCAN module with two CAN nodes, 80-MHz clock frequency, -40°C to 125°C, tape & reel
▼ SAK-TC1767-256F133HR AD-Step	SP000855112	TC1767256F133HRADKFQMA1	PG-LQFP-176-5	as SAK-TC1766-192F80HL, 2-Mbyte embedded program flash, 64-Kbyte data flash, 24-Kbyte on-chip SRAM, 133-MHz clock frequency, tray
▼ SAK-TC1767-256F133HR AD-Step	SP001007278	TC1767256F133HRADKXUMA1	PG-LQFP-176-5	as SAK-TC1767-256F133HR, tape & reel

TC178x Series (Powertrain)

SAK-TC1782F-320F180HR BA-Step	SP000862218	TC1782F320F180HRBAKXUMA1	PG-LQFP-176-10	High performance TriCore™ CPU with 4-stage pipeline (AUDO MAX) 2,5-Mbyte flash memory with ECC, 176-Kbyte local data memory (SRAM), 128-Kbyte data flash (EEPROM emulation), 16-Kbyte instruction cache, 16-channel DMA controller, three high-speed synchronous serial channel (SSC), one 16-channel A/D converter unit with selectable 8-bit, 10-bit, or 12-bit supporting 32 input channels, on-chip debug support (OCDS level 1), 2-channel FlexRay™ module, multiCAN module with three CAN nodes, 180-MHz clock frequency, -40°C to 125°C, tape & reel
SAK-TC1782N-320F180HR BA-Step	SP000874788	TC1782N320F180HRBAKXUMA1	PG-LQFP-176-10	as SAK-TC1782F-320F180HR, no 2-channel FlexRay™ module, copper wire bond, tape & reel
▼ SAK-TC1782N-320F180HL BA-Step	SP000884904	TC1782N320F180HLBAKXUMA1	PG-LQFP-176-10	as SAK-TC1782F-320F180HR, gold wire bond, tape & reel
SAK-TC1784N-320F180EL BA-Step	SP000947718	TC1784N320F180ELBAKXUMA1	PG-LFBGA-292	as SAK-TC1782N-320F180HR, LFBGA package, tape & reel

SMD = Surface Mounted Device

Type	Ordering Code	Orderable Part Number	Package	Description
Microcontrollers, 32-bit				
TC17xx Family				
TC179x Series (Powertrain)				
SAK-TC1791N-384F200EP AB-Step	SP000947722	TC1791N384F200EPABKXUMA1	PG-LFBGA-292	High performance TriCore™ CPU with 6-stage pipeline (AUDO MAX) 3-Mbyte embedded program flash with ECC, 192-Kbyte data flash memory usable for EEPROM emulation, 16-Kbyte instruction cache, 24 DMA channels, 48 channel analog-to-digital converter, 10-bit A/D conversion, on-chip debug support (OCDS level 1), no 2-channel FlexRay™ module, multiCAN module with four CAN nodes, 200-MHz clock frequency, -40°C to 125°C, tape & reel
SAK-TC1793F-512F270EB AB-Step	SP000887646	TC1793F512F270EBABKXUMA1	PG-BGA-416-4	High performance TriCore™ CPU with 6-stage pipeline (AUDO MAX) 4-Mbyte embedded program flash with ECC, 192-Kbyte data flash memory usable for EEPROM emulation, 16-Kbyte instruction cache, 24 DMA channels, 44 channel analog-to-digital converter, 10-bit A/D conversion, on-chip debug support (OCDS level 1), 2-channel FlexRay™ module, multiCAN module with four CAN nodes, 270-MHz clock frequency, -40°C to 125°C, tape & reel
SAK-TC1793FN-512F270EF AB-Step	SP000947760	TC1793N512F270EFABKXUMA1	PG-BGA-416-4	as SAK-TC1793F-512F270EB, no 2-channel FlexRay™ module, -40°C to 125°C, tape & reel

SMD = Surface Mounted Device

Microcontrollers

Type	Ordering Code	Orderable Part Number	Package	Description
Microcontrollers, 32-bit				
TC17xx Family				
TC179x Series (Powertrain)				
(cont'd)				
SAK-TC1796-256F150E BE-Step	SP000438972	TC1796256F150EBEXUMA1	PG-BGA-416-4	High performance TriCore™ CPU with 4-stage pipeline 2-Mbyte embedded program flash with ECC, 128-Kbyte data flash memory usable for EEPROM emulation, 136-Kbyte data memory, 16-Kbyte instruction cache, 16-channel DMA controller, two 16-channel A/D converter units with selectable 8-bit, 10-bit, or 12-bit resolution, on-chip debug support (OCDS level 1 and 2), multiCAN module with four CAN nodes, 150-MHz clock frequency, -40°C to 125°C, tape & reel
SAK-TC1797-384F150E AC-Step	SP000608762	TC1797384F150EACKXUMA1	PG-BGA-416-10	High performance TriCore™ CPU with 4-stage pipeline 3-Mbyte embedded program flash with ECC, 64-Kbyte data flash memory usable for EEPROM emulation, 128-Kbyte data memory, 16-Kbyte instruction cache, 16-channel DMA controller, two 16-channel A/D converter units with selectable 8-bit, 10-bit, or 12-bit resolution, on-chip debug support (OCDS level 1 and 2), multiCAN module with four CAN nodes, 150-MHz clock frequency, -40°C to 125°C, tape & reel
SAK-TC1797-512F180E AC-Step	SP000478918	TC1797512F180EACKXUMA1	PG-BGA-416-10	as SAK-TC1797-384F150E 4-Mbyte embedded program flash with ECC, 180-MHz clock frequency, tape & reel
SAK-TC1798N-512F300EP AB-Step	SP000947796	TC1798N512F300EPABXUMA1	PG-LFBGA-516	High performance TriCore™ CPU with 6-stage pipeline (AUDO MAX) 4-Mbyte embedded program flash with ECC, 192-Kbyte data flash memory usable for EEPROM emulation, 16-Kbyte instruction cache, 24 DMA channels, 64 channel analog-to-digital converter, 10-bit A/D conversion, on-chip debug support (OCDS level 1), 2-channel FlexRay™ module, multiCAN module with four CAN nodes, 300-MHz clock frequency, no 2-channel FlexRay™ module, -40°C to 125°C, tape & reel

SMD = Surface Mounted Device

Type	Ordering Code	Orderable Part Number	Package	Description
Microcontrollers, 32-bit				
XMC1000 Family (Industry)				
XMC1100 Series				
XMC1100-T016F0008 AA-Step	SP001080628	XMC1100T016F0008AAXUMA1	PG-TSSOP-16-1	High performance ARM [®] Cortex™-M0 CPU Entry Series 8-Kbyte embedded program flash, 16-Kbyte RAM, 8-channel A/D converter units of 12-bit resolution, two serial channels (UART, SPI, I ² C, I ² S), six A/D input lines (incl. FADC), one capture/compare unit (CCU4), no Full-CAN node, 32-MHz clock frequency, -40°C to 85°C, tape & reel
XMC1100-T016F0016 AA-Step	SP000984786	XMC1100T016F0016AAXUMA1	PG-TSSOP-16-1	as XMC1100-T016F0008, 16-Kbyte embedded program flash, tape & reel
▼ XMC1100-T016F0032 AA-Step	SP000984784	XMC1100T016F0032AAXUMA1	PG-TSSOP-16-1	as XMC1100-T016F0008, 32-Kbyte embedded program flash, tape & reel
XMC1100-T016F0064 AA-Step	SP000984792	XMC1100T016F0064AAXUMA1	PG-TSSOP-16-1	as XMC1100-T016F0008, 64-Kbyte embedded program flash, tape & reel
▼ XMC1100-T016X0064 AA-Step	SP001158306	XMC1100T016X0064AAXUMA1	PG-TSSOP-16-1	as XMC1100-T016F0064, -40°C to 105°C, tape & reel
XMC1100-T038F0016 AA-Step	SP000984766	XMC1100T038F0016AAXUMA1	PG-TSSOP-38-1	High performance ARM [®] Cortex™-M0 CPU Entry Series 16-Kbyte embedded program flash, 16-Kbyte RAM, 8-channel A/D converter units of 12-bit resolution, two serial channels (UART, SPI, I ² C, I ² S), twelve A/D input lines (incl. FADC), one capture/compare unit (CCU4), no Full-CAN node, 32-MHz clock frequency, -40°C to 85°C, tape & reel
XMC1100-T038F0032 AA-Step	SP000984772	XMC1100T038F0032AAXUMA1	PG-TSSOP-38-1	as XMC1100-T038F0016, 32-Kbyte embedded program flash, tape & reel
XMC1100-T038F0064 AA-Step	SP000984770	XMC1100T038F0064AAXUMA1	PG-TSSOP-38-1	as XMC1100-T038F0032, 64-Kbyte embedded program flash, tape & reel
▼ XMC1100-T038X0064 AA-Step	SP001158320	XMC1100T038X0064AAXUMA1	PG-TSSOP-38-1	as XMC1100-T038F0064, -40°C to 105°C, tape & reel

SMD = Surface Mounted Device

Microcontrollers

Type	Ordering Code	Orderable Part Number	Package	Description
Microcontrollers, 32-bit				
XMC1000 Family (Industry)				
XMC120x Series				
XMC1201-T038F0016 AA-Step	SP000984746	XMC1201T038F0016AAXUMA1	PG-TSSOP-38-9	High performance ARM [®] Coretex™-M0 CPU Feature Series 16-Kbyte embedded program flash, 16-Kbyte RAM, 8-channel A/D converter units of 12-bit resolution, two serial channels (UART, SPI, I ² C, I ² S), twelve A/D input lines (incl. FADC), one capture/compare unit (CCU4), no Full-CAN node, 32-MHz clock frequency, -40°C to 85°C, tape & reel
XMC1201-T038F0032 AA-Step	SP000984750	XMC1201T038F0032AAXUMA1	PG-TSSOP-38-9	as XMC1201-T038F0016, 32-Kbyte embedded program flash, tape & reel
XMC1201-T038F0064 AA-Step	SP000984748	XMC1201T038F0064AAXUMA1	PG-TSSOP-38-9	as XMC1201-T038F0016, 64-Kbyte embedded program flash, tape & reel
XMC1201-T038F0200 AA-Step	SP000984744	XMC1201T038F0200AAXUMA1	PG-TSSOP-38-9	as XMC1201-T038F0016, 200-Kbyte embedded program flash, tape & reel
XMC1202-T016X0016 AA-Step	SP001080606	XMC1202T016X0016AAXUMA2	PG-TSSOP-16-1	High performance ARM [®] Coretex™-M0 CPU Feature Series 16-Kbyte embedded program flash, 16-Kbyte RAM, 8-channel A/D converter units of 12-bit resolution, two serial channels (UART, SPI, I ² C, I ² S), six A/D input lines (incl. FADC), one capture/compare unit (CCU4), no Full-CAN node, 32-MHz clock frequency, -40°C to 105°C, tape & reel
XMC1202-T016X0032 AA-Step	SP000984762	XMC1202T016X0032AAXUMA1	PG-TSSOP-16-1	as XMC1202-T016X0016, 32-Kbyte embedded program flash, tape & reel
XMC1202-T028X0016 AA-Step	SP000984760	XMC1202T028X0016AAXUMA1	PG-TSSOP-28-16	High performance ARM [®] Coretex™-M0 CPU Feature Series 16-Kbyte embedded program flash, 16-Kbyte RAM, 8-channel A/D converter units of 12-bit resolution, two serial channels (UART, SPI, I ² C, I ² S), ten A/D input lines (incl. FADC), one capture/compare unit (CCU4), no Full-CAN node, 32-MHz clock frequency, -40°C to 105°C, tape & reel
XMC1202-T028X0032 AA-Step	SP000984758	XMC1202T028X0032AAXUMA1	PG-TSSOP-28-16	as XMC1202-T028X0016, 32-Kbyte embedded program flash, tape & reel

SMD = Surface Mounted Device

Type	Ordering Code	Orderable Part Number	Package	Description
Microcontrollers, 32-bit				
XMC1000 Family (Industry)				
XMC130x Series				
XMC1301-T016F0008 AA-Step	SP001077496	XMC1301T016F0008AAXUMA1	PG-TSSOP-16-1	High performance ARM [®] Cortex™-M0 CPU Control Series 8-Kbyte embedded program flash, 16-Kbyte RAM, 8-channel A/D converter units of 12-bit resolution, two serial channels (UART, SPI, I ² C, I ² S), six A/D input lines (incl. FADC), one capture/compare unit (CCU4), no Full-CAN node, 32-MHz clock frequency, -40°C to 85°C, tape & reel
▼ XMC1301-T016X0008 AA-Step	SP001158308	XMC1301T016X0008AAXUMA1	PG-TSSOP-16-1	as XMC1301-T016F0008, -40°C to 105°C, tape & reel
XMC1301-T016F0016 AA-Step	SP001077498	XMC1301T016F0016AAXUMA1	PG-TSSOP-16-1	as XMC1301-T016F0008, 16-Kbyte embedded program flash, tape & reel
▼ XMC1301-T016X0016 AA-Step	SP001158310	XMC1301T016X0016AAXUMA1	PG-TSSOP-16-1	as XMC1301-T016F0016, -40°C to 105°C, tape & reel
XMC1301-T038F0008 AA-Step	SP001077520	XMC1301T038F0008AAXUMA1	PG-TSSOP-38-1	High performance ARM [®] Cortex™-M0 CPU Control Series 8-Kbyte embedded program flash, 16-Kbyte RAM, 8-channel A/D converter units of 12-bit resolution, two serial channels (UART, SPI, I ² C, I ² S), one capture/compare unit (CCU8), POSIF, twelve A/D input lines (incl. FADC), one capture/compare unit (CCU4), no Full-CAN node, 32-MHz clock frequency, -40°C to 85°C, tape & reel
XMC1301-T038F0016 AA-Step	SP001077500	XMC1301T038F0016AAXUMA1	PG-TSSOP-38-1	as XMC1301-T038F0008, 16-Kbyte embedded program flash, tape & reel
XMC1301-T038F0032 AA-Step	SP001077502	XMC1301T038F0032AAXUMA1	PG-TSSOP-38-1	as XMC1301-T038F0008, 32-Kbyte embedded program flash, tape & reel

SMD = Surface Mounted Device

Microcontrollers

Type	Ordering Code	Orderable Part Number	Package	Description
Microcontrollers, 32-bit				
XMC1000 Family (Industry)				
XMC130x Series				
(cont'd)				
▼ XMC1302-T016X0008 AA-Step	SP001158314	XMC1302T016X0008AAXUMA1	PG-TSSOP-16-1	High performance ARM [®] Cortex™-M0 CPU Control Series 8-Kbyte embedded program flash, 16-Kbyte RAM, 8-channel A/D converter units of 12-bit resolution, two serial channels (UART, SPI, I ² C, I ² S), six A/D input lines (incl. FADC), one capture/compare unit (CCU4), one capture/compare unit (CCU8), POSIF, no Full-CAN node, 32-MHz clock frequency, -40°C to 105°C, tape & reel
▼ XMC1302-T016X0016 AA-Step	SP001158316	XMC1302T016X0016AAXUMA1	PG-TSSOP-16-1	as XMC1302-T016X0008, 16-Kbyte embedded program flash, tape & reel
▼ XMC1302-T016X0032 AA-Step	SP001158318	XMC1302T016X0032AAXUMA1	PG-TSSOP-16-1	as XMC1302-T016X0016, 32-Kbyte embedded program flash, tape & reel
XMC1302-T038X0016 AA-Step	SP001077508	XMC1302T038X0016AAXUMA1	PG-TSSOP-38-1	High performance ARM [®] Cortex™-M0 CPU Control Series 16-Kbyte embedded program flash, 16-Kbyte RAM, 8-channel A/D converter units of 12-bit resolution, two serial channels (UART, SPI, I ² C, I ² S), one capture/compare unit (CCU4), one capture/compare unit (CCU8), POSIF, twelve A/D input lines (incl. FADC), no Full-CAN node, 32-MHz clock frequency, -40°C to 105°C, tape & reel
XMC1302-T038X0032 AA-Step	SP001077510	XMC1302T038X0032AAXUMA1	PG-TSSOP-38-1	as XMC1302-T038X0016, 32-Kbyte embedded program flash, tape & reel
XMC1302-T038X0064 AA-Step	SP001077516	XMC1302T038X0064AAXUMA1	PG-TSSOP-38-1	as XMC1302-T038X0016, 64-Kbyte embedded program flash, tape & reel
XMC1302-T038X0200 AA-Step	SP001077518	XMC1302T038X0200AAXUMA1	PG-TSSOP-38-1	as XMC1302-T038X0016, 200-Kbyte embedded program flash, tape & reel

SMD = Surface Mounted Device

Type	Ordering Code	Orderable Part Number	Package	Description
Microcontrollers, 32-bit				
XMC4100 Family (Industry)				
XMC4100-F64F128 AB-Step	SP001017564	XMC4100F64F128ABXQMA1	PG-LQFP-64-19	High performance ARM [®] Cortex™-M4 CPU 128-Kbyte embedded program flash, USB 2.0 host, memory protection unit (MPU), floating point unit, 20-Kbyte RAM, 1-Kbyte instruction cache, 12-channel DMA controller, one capture/compare unit (CCU8), two 8-channel A/D converter units of 12-bit resolution, on-chip debug support, multiCAN module with two CAN nodes, 80-MHz clock frequency, -40°C to 85°C, tray
XMC4100-F64K128 AB-Step	SP001017566	XMC4100F64K128ABXQSA1	PG-LQFP-64-19	as XMC4100-F64F128, -40°C to 125°C, tray
XMC4100-Q48F128 AB-Step	SP001017560	XMC4100Q48F128ABXLSA1	PG-VQFN-48-53	as XMC4100-F64F128, VQFN package, tube
XMC4100-Q48K128 AB-Step	SP001017562	XMC4100Q48K128ABXLSA1	PG-VQFN-48-53	as XMC4100-Q48F128, -40°C to 125°C, tube
XMC4104-F64F128 AB-Step	SP001019662	XMC4104F64F128ABXQMA1	PG-LQFP-64-19	as XMC4100-F64F128, no USB interface, no MultiCAN, tray
XMC4104-F64K128 AB-Step	SP001019666	XMC4104F64K128ABXQSA1	PG-LQFP-64-19	as XMC4104-F64F128, -40°C to 125°C, tray
XMC4104-F64F64 AB-Step	SP001019652	XMC4104F64F64ABXQMA1	PG-LQFP-64-19	as XMC4104-F64F128, 64-Kbyte embedded program flash, tray
XMC4104-F64K64 AB-Step	SP001019654	XMC4104F64K64ABXQSA1	PG-LQFP-64-19	as XMC4104-F64F64, -40°C to 125°C, tray
XMC4104-Q48F128 AB-Step	SP001019676	XMC4104Q48F128ABXLSA1	PG-VQFN-48-53	as XMC4104-F64F128, VQFN package, tube
XMC4104-Q48K128 AB-Step	SP001019678	XMC4104Q48K128ABXLSA1	PG-VQFN-48-53	as XMC4104-Q48F128, -40°C to 125°C, tube
XMC4104-Q48F64 AB-Step	SP001019656	XMC4104Q48F64ABXLSA1	PG-VQFN-48-53	as XMC4104-Q48F128, 64-Kbyte embedded program flash, tube
XMC4104-Q48K64 AB-Step	SP001019658	XMC4104Q48K64ABXLSA1	PG-VQFN-48-53	as XMC4104-Q48F128, -40°C to 125°C, tube

SMD = Surface Mounted Device

Microcontrollers

Type	Ordering Code	Orderable Part Number	Package	Description
Microcontrollers, 32-bit				
XMC4200 Family (Industry)				
XMC4200-F64F256 AB-Step	SP001017490	XMC4200F64F256ABXQMA1	PG-LQFP-64-19	High performance ARM [®] Cortex™-M4 CPU 256-Kbyte embedded program flash, USB 2.0 host, memory protection unit (MPU), floating point unit, 20-Kbyte RAM, 1-Kbyte instruction cache, 12-channel DMA controller, one capture/compare unit (CCU8), two 8-channel A/D converter units of 12-bit resolution, on-chip debug support, multiCAN module with two CAN nodes, 80-MHz clock frequency, -40°C to 85°C, tray
XMC4200-F64K256 AB-Step	SP001017514	XMC4200F64K256ABXQSA1	PG-LQFP-64-19	as XMC4200-F64F256, -40°C to 125°C, tray
XMC4200-Q48F256 AB-Step	SP001017512	XMC4200Q48F256ABXLSA1	PG-VQFN-48-53	as XMC4200-F64F256, VQFN package, tube
XMC4200-Q48K256 AB-Step	SP001017484	XMC4200Q48K256ABXLSA1	PG-VQFN-48-53	as XMC4200-Q48F256, -40°C to 125°C, tube
▼ XMC4200-Q48K256 AB-Step	SP001168118	XMC4200Q48K256ABXUMA1	PG-VQFN-48-53	as XMC4200-Q48F256, -40°C to 125°C, tape & reel

SMD = Surface Mounted Device

Type	Ordering Code	Orderable Part Number	Package	Description
Microcontrollers, 32-bit				
XMC4400 Family (Industry)				
XMC4400-F100F256 AB-Step	SP001019638	XMC4400F100F256ABXQSA1	PG-LQFP-100-11	High performance ARM [®] Cortex™-M4 CPU 256-Kbyte embedded program flash, Ethernet MAC module, USB 2.0 host, memory protection unit (MPU), floating point unit, 80-Kbyte RAM, 4-Kbyte instruction cache, 12-channel DMA controller, one capture/compare unit (CCU8), two 8-channel A/D converter units of 12-bit resolution, on-chip debug support, multiCAN module with two CAN nodes, 120-MHz clock frequency, -40°C to 85°C, tray
XMC4400-F100K256 AB-Step	SP001019640	XMC4400F100K256ABXQSA1	PG-LQFP-100-11	as XMC4400-F100F256 -40°C to 125°C, tray
XMC4400-F100F512 AB-Step	SP001017518	XMC4400F100F512ABXQMA1	PG-LQFP-100-11	as XMC4400-F100F256, 512-Kbyte embedded program flash, -40°C to 85°C, tray
XMC4400-F100K512 AB-Step	SP001017494	XMC4400F100K512ABXQSA1	PG-LQFP-100-11	as XMC4400-F100F512, -40°C to 125°C, tray
XMC4400-F64F256 AB-Step	SP001020232	XMC4400F64F256ABXQMA1	PG-LQFP-64-19	as XMC4400-F100F256, LQFP package, tray
XMC4400-F64K256 AB-Step	SP001020234	XMC4400F64K256ABXQSA1	PG-LQFP-64-19	as XMC4400-F64F256, -40°C to 125°C, tray
XMC4400-F64F512 AB-Step	SP001017492	XMC4400F64F512ABXQMA1	PG-LQFP-64-19	as XMC4400-F64F256, 512-Kbyte embedded program flash, tray
XMC4400-F64K512 AB-Step	SP001017516	XMC4400F64K512ABXQSA1	PG-LQFP-64-19	as XMC4400-F64F512, -40°C to 125°C, tray
XMC4402-F100F256 AB-Step	SP001019642	XMC4402F100F256ABXQMA1	PG-LQFP-100-11	as XMC4400-F100F256, no Ethernet interface, -40°C to 85°C, tray
XMC4402-F100K256 AB-Step	SP001019646	XMC4402F100K256ABXQSA1	PG-LQFP-100-11	as XMC4402-F100F256, -40°C to 125°C, tray
XMC4402-F64F256 AB-Step	SP001019648	XMC4402F64F256ABXQMA1	PG-LQFP-64-19	as XMC4402-F100F256, LQFP-64 package, tray
XMC4402-F64K256 AB-Step	SP001019650	XMC4402F64K256ABXQSA1	PG-LQFP-64-19	as XMC4402-F64F256, -40°C to 125°C, tray

SMD = Surface Mounted Device

Microcontrollers

Type	Ordering Code	Orderable Part Number	Package	Description
Microcontrollers, 32-bit				
XMC4500 Family (Industry)				
▼ XMC4500-E144F1024 AC-Step	SP001093084	XMC4500E144F1024ACXQSA1	PG-LFBGA-144-9	High performance ARM [®] Cortex™-M4 CPU 1024-Kbyte embedded program flash, Ethernet MAC module, USB 2.0 host, memory protection unit (MPU), floating point unit, 160-Kbyte RAM, 4-Kbyte instruction cache, 12-channel DMA controller, two capture/compare units (CCU8), four 8-channel A/D converter units of 12-bit resolution, on-chip debug support, multiCAN module with three CAN nodes, 120-MHz clock frequency -40°C to 85°C, tray
▼ XMC4500-E144X1024 AC-Step	SP001122972	XMC4500E144X1024ACXQSA1	PG-LFBGA-144-9	as XMC4500-E144F1024, -40°C to 105°C, tray
▼ XMC4500-F100F1024 AC-Step	SP001146676	XMC4500F100F1024ACXQMA1	PG-LQFP-100-11	as XMC4500-E144F1024, LQFP-100 package, tray
▼ XMC4500-F100F768 AC-Step	SP001146692	XMC4500F100F768ACXQMA1	PG-LQFP-100-11	as XMC4500-F100F1024, 768-Kbyte embedded program flash, tray
▼ XMC4500-F100K1024 AC-Step	SP001093080	XMC4500F100K1024ACXQSA1	PG-LQFP-100-11	as XMC4500-F100F1024, -40°C to 125°C, tray
▼ XMC4500-F100K768 AC-Step	SP001146694	XMC4500F100K768ACXQMA1	PG-LQFP-100-11	as XMC4500-F100F768, 768-Kbyte embedded program flash, tray
▼ XMC4500-F144F1024 AC-Step	SP001146706	XMC4500F144F1024ACXQMA1	PG-LQFP-144-18	as XMC4500-E144F1024, LQFP-144 package, tray
▼ XMC4500-F144F768 AC-Step	SP001146708	XMC4500F144F768ACXQMA1	PG-LQFP-144-18	as XMC4500-F144F1024, 768-Kbyte embedded program flash, tray
▼ XMC4500-F144K1024 AC-Step	SP001093082	XMC4500F144K1024ACXQMA1	PG-LQFP-144-18	as XMC4500-E144F1024, -40°C to 125°C, tray
▼ XMC4500-F144K768 AC-Step	SP001146710	XMC4500F144K768ACXQMA1	PG-LQFP-144-18	as XMC4500-F144F768, 768-Kbyte embedded program flash, tray
▼ XMC4502-F100F768 AC-Step	SP001104474	XMC4502F100F768ACXQMA1	PG-LQFP-100-11	as XMC4500-F100F768, no Ethernet MAC module, 768-Kbyte embedded program flash, tray
▼ XMC4502-F100K768 AC-Step	SP001104472	XMC4502F100K768ACXQMA1	PG-LQFP-100-11	as XMC4500-F100F768, -40°C to 125°C, tray
▼ XMC4504-F100F512 AC-Step	SP001146702	XMC4504F100F512ACXQMA1	PG-LQFP-100-11	as XMC4502-F100F768, 512-Kbyte embedded program flash, no USB interface, no MultiCAN, tray
▼ XMC4504-F100K512 AC-Step	SP001146704	XMC4504F100K512ACXQMA1	PG-LQFP-100-11	as XMC4504-F100F512, -40°C to 125°C, tray
▼ XMC4504-F144F512 AC-Step	SP001146720	XMC4504F144F512ACXQMA1	PG-LQFP-144-18	as XMC4504-F100F512, LQFP-144 package, tray
▼ XMC4504-F144K512 AC-Step	SP001146712	XMC4504F144K512ACXQMA1	PG-LQFP-144-18	as XMC4504-F144F512, -40°C to 125°C, tray

SMD = Surface Mounted Device

Power Semiconductors

Automotive N-Channel MOSFETs	79
Automotive P-Channel MOSFETs	88
N-Channel MOSFETs	90
P-Channel MOSFETs	116
Complementary MOSFETs	118
Depletion MOSFETs	119
IGBT Power Transistors	120
Power Diodes	127
Smart Power Switches	130
Power Management ICs	141
Industrial Stand-alone CAN and LIN Transceivers	162
Automotive Transceivers and SBCs	163
Specific Automotive ICs	167

Type	Ordering Code	Orderable Part Number	Package	Data			
				V_{DS} V	$R_{DS(on)max}$ mΩ	$V_{GS(th)}$ V	I_D A

Automotive N-Channel MOSFETs

30V

IPB180N03S4L-H	SP000555050	IPB180N03S4LH0ATMA1	PG-TO263-7-3	30	0.95	1.0 ... 2.2	180
IPB180N03S4L-01	SP000555002	IPB180N03S4L01ATMA1	PG-TO263-7-3	30	1.05	1.0 ... 2.2	180
IPB22N03S4L-15	SP000275308	IPB22N03S4L15ATMA1	PG-TO263-3-2	30	1.5	1.0 ... 2.2	22
IPB80N03S4L-02	SP000273282	IPB80N03S4L02ATMA1	PG-TO263-3-2	30	2.3	1.0 ... 2.2	80
IPB80N03S4L-03	SP000274982	IPB80N03S4L03ATMA1	PG-TO263-3-2	30	3.3	1.0 ... 2.2	80
IPD90N03S4L-02	SP000273284	IPD90N03S4L02ATMA1	PG-TO252-3-11	30	2.2	1.0 ... 2.2	90
IPD90N03S4L-03	SP000274978	IPD90N03S4L03ATMA1	PG-TO252-3-11	30	3.0	1.0 ... 2.2	90
IPD70N03S4L-04	SP000274986	IPD70N03S4L04ATMA1	PG-TO252-3-11	30	4.3	1.0 ... 2.2	70
IPD50N03S4L-06	SP000415580	IPD50N03S4L06ATMA1	PG-TO252-3-11	30	5.5	1.2 ... 2.0	50
IPD50N03S2L-06	SP000254461	IPD50N03S2L06ATMA1	PG-TO252-3-11	30	6.4	1.2 ... 2.0	50
IPD30N03S2L-07	SP000254463	IPD30N03S2L07ATMA1	PG-TO252-3-11	30	6.7	1.2 ... 2.0	30
IPD50N03S2-07	SP000254462	IPD50N03S207ATMA1	PG-TO252-3-11	30	7.3	2.1 ... 4.0	50
IPD40N03S4L-08	SP000475916	IPD40N03S4L08ATMA1	PG-TO252-3-11	30	8.0	1.0 ... 2.2	40
IPD30N03S4L-09	SP000415578	IPD30N03S4L09ATMA1	PG-TO252-3-11	30	9.0	1.0 ... 2.2	30
IPD30N03S2L-10	SP000254465	IPD30N03S2L10ATMA1	PG-TO252-3-11	30	10	1.2 ... 2.0	30
IPD30N03S4L-14	SP000275919	IPD30N03S4L14ATMA1	PG-TO252-3-11	30	13.6	1.0 ... 2.2	30
IPD30N03S2L-20	SP000254466	IPD30N03S2L20ATMA1	PG-TO252-3-11	30	20	1.2 ... 2.0	30
IPI22N03S4L-15	SP000277016	IPI22N03S4L15AKSA1	PG-TO262-3-1	30	1.5	1.0 ... 2.2	22
IPI80N03S4L-03	SP000273285	IPI80N03S4L03AKSA1	PG-TO262-3-1	30	2.6	1.0 ... 2.2	80
IPI80N03S4L-04	SP000274983	IPI80N03S4L04AKSA1	PG-TO262-3-1	30	3.3	1.0 ... 2.2	80
IPP22N03S4L-15	SP000275290	IPP22N03S4L15AKSA1	PG-TO220-3-1	30	1.5	1.0 ... 2.2	22
IPP80N03S4L-03	SP000275328	IPP80N03S4L03AKSA1	PG-TO220-3-1	30	2.4	1.0 ... 2.2	80
IPP80N03S4L-04	SP000274981	IPP80N03S4L04AKSA1	PG-TO220-3-1	30	3.3	1.0 ... 2.2	80
■ SPB80N03S2-03 G	SP000200139	SPB80N03S203GATMA1	PG-TO263-3-2	30	3.4	1.0 ... 2.2	80
SPD50N03S2L-06 G	SP000443924	SPD50N03S2L06GBTMA1	PG-TO252-3-11	30	6.4	1.0 ... 2.2	50
SPD30N03S2L-07 G	SP000443922	SPD30N03S2L07GBTMA1	PG-TO252-3-11	30	6.7	1.2 ... 2.0	30
SPD50N03S2-07 G	SP000443920	SPD50N03S207GBTMA1	PG-TO252-3-11	30	7.3	2.1 ... 4.0	50
SPD30N03S2L-10 G	SP000443918	SPD30N03S2L10GBTMA1	PG-TO252-3-11	30	10	1.0 ... 2.2	30
SPD30N03S2L-20 G	SP000443768	SPD30N03S2L20GBTMA1	PG-TO252-3-11	30	20	1.0 ... 2.2	30
■ SPP80N03S2L-04	SP000013902	SPP80N03S2L04AKSA1	PG-TO220-3-1	30	4.3	1.2 ... 2.0	80
■ SPP80N03S2L-05	SP000013466	SPP80N03S2L05AKSA1	PG-TO220-3-1	30	5.0	1.2 ... 2.0	80

SMD = Surface Mounted Device

Power Semiconductors

Type	Ordering Code	Orderable Part Number	Package	Data			
				V_{DS}	$R_{DS(on)max}$	$V_{GS(th)}$	I_D
				V	mΩ	V	A

Automotive N-Channel MOSFETs

40V

IPB180N04S4-00	SP000646176	IPB180N04S400ATMA1	PG-TO263-7-3	40	0.98	2.0 ... 4.0	180
IPB180N04S4-H0	SP000711248	IPB180N04S4H0ATMA1	PG-TO263-7-3	40	1.1	2.0 ... 4.0	180
IPB180N04S4-H1	SP000705694	IPB180N04S401ATMA1	PG-TO263-7-3	40	1.3	2.0 ... 4.0	180
IPB120N04S4-01	SP000705700	IPB120N04S401ATMA1	PG-TO263-7-3	40	1.5	2.0 ... 4.0	120
IPB160N04S4-H1	SP000711252	IPB160N04S4H1ATMA1	PG-TO263-7-3	40	1.6	2.0 ... 4.0	160
■ IPB180N04S3-02	SP000254821	IPB180N04S302ATMA1	PG-TO263-7-3	40	1.5	2.1 ... 4.0	180
IPB120N04S4-02	SP000764726	IPB120N04S402ATMA1	PG-TO263-7-3	40	1.8	2.0 ... 4.0	120
IPB160N04S4-02D	SP000850452	IPB160N04S402DXTMA1	PG-TO263-7-3	40	1.9	2.0 ... 4.0	160
■ IPB120N04S3-02	SP000261216	IPB120N04S302ATMA1	PG-TO263-7-3	40	2.0	2.1 ... 4.0	120
IPB90N04S4-02	SP000646182	IPB90N04S402ATMA1	PG-TO263-3-2	40	2.1	2.0 ... 4.0	90
IPB100N04S4-02D	SP000850458	IPB100N04S402DXTMA1	PG-TO263-3-2	40	2.2	2.0 ... 4.0	100
IPB100N04S4-H2	SP000711274	IPB100N04S4H2ATMA1	PG-TO263-7-3	40	2.4	2.0 ... 4.0	100
■ IPB160N04S3-H2	SP000254818	IPB160N04S3H2ATMA1	PG-TO263-7-3	40	2.4	2.1 ... 4.0	160
IPB160N04S2L-03	SP000218153	IPB160N04S2L03ATMA1	PG-TO263-7-3	40	2.7	1.2 ... 2.0	160
■ IPB80N04S3-03	SP000260848	IPB80N04S303ATMA1	PG-TO263-3-2	40	2.8	2.1 ... 4.0	80
IPB160N04S2-03	SP000218151	IPB160N04S203ATMA1	PG-TO263-7-3	40	2.9	2.1 ... 4.0	160
■ IPB100N04S3-03	SP000260847	IPB100N04S303ATMA1	PG-TO263-3-2	40	3.0	2.1 ... 4.0	100
IPB80N04S2L-03	SP000220158	IPB80N04S2L03ATMA1	PG-TO263-3-2	40	3.1	1.2 ... 2.0	80
IPB100N04S2L-03	SP000219065	IPB100N04S2L03ATMA1	PG-TO263-3-2	40	3.3	1.2 ... 4.0	100
IPB80N04S4-03	SP000671628	IPB80N04S403ATMA1	PG-TO263-3-2	40	3.3	1.2 ... 4.0	80
IPB80N04S2-04	SP000218154	IPB80N04S204ATMA1	PG-TO263-3-2	40	3.4	2.1 ... 4.0	80
IPB100N04S2-04	SP000219061	IPB100N04S204ATMA1	PG-TO263-3-2	40	3.6	2.1 ... 4.0	100
■ IPB80N04S3-04	SP000261217	IPB80N04S304ATMA1	PG-TO263-3-2	40	4.0	2.1 ... 4.0	80
IPB80N04S2-H4	SP000218165	IPB80N04S2H4ATMA1	PG-TO263-3-2	40	4.0	2.1 ... 4.0	80
IPB80N04S4L-04	SP000646180	IPB80N04S4L04ATMA1	PG-TO263-3-2	40	4.0	1.2 ... 2.2	80
IPB80N04S4-04	SP000646178	IPB80N04S404ATMA1	PG-TO263-3-2	40	4.2	2.0 ... 4.0	80
■ IPB80N04S3-H4	SP000415564	IPB80N04S3H4ATMA1	PG-TO263-3-2	40	4.5	2.1 ... 4.0	80
■ IPB80N04S3-06	SP000254822	IPB80N04S306ATMA1	PG-TO263-3-2	40	6.0	2.1 ... 4.0	80
IPB70N04S4-06	SP000711476	IPB70N04S406ATMA1	PG-TO263-3-2	40	6.2	2.0 ... 4.0	70
■ IPB70N04S3-07	SP000279556	IPB70N04S307ATMA1	PG-TO263-3-2	40	6.8	2.1 ... 4.0	70
IPB45N04S4-08	SP000711444	IPB45N04S4L08ATMA1	PG-TO263-3-2	40	7.6	2.0 ... 4.0	45
IPD100N04S4-02	SP000646184	IPD100N04S402ATMA1	PG-TO252-3-1	40	2.0	2.0 ... 4.0	100
IPD90N04S4-02	SP000673890	IPD90N04S402ATMA1	PG-TO252-3-1	40	2.4	2.0 ... 4.0	90
IPD90N04S4-03	SP000671630	IPD90N04S403ATMA1	PG-TO252-3-1	40	3.2	2.0 ... 4.0	90
■ IPD90N04S3-04	SP000261222	IPD90N04S304ATMA1	PG-TO252-3-1	40	3.8	2.1 ... 4.0	90
IPD90N04S4L-04	SP000646188	IPD90N04S4L04ATMA1	PG-TO252-3-1	40	3.8	1.2 ... 2.2	90
IPD90N04S4-04	SP000646186	IPD90N04S404ATMA1	PG-TO252-3-1	40	4.1	2.0 ... 4.0	90
■ IPD90N04S3-H4	SP000415584	IPD90N04S3H4ATMA1	PG-TO252-3-1	40	4.3	2.1 ... 4.0	90
IPD90N04S4-05	SP000711460	IPD90N04S405ATMA1	PG-TO252-3-1	40	5.2	2.0 ... 4.0	86
IPD75N04S4-06	SP000711472	IPD75N04S406ATMA1	PG-TO252-3-1	40	5.9	2.0 ... 4.0	75
■ IPD80N04S3-06	SP000261220	IPD80N04S306ATMA1	PG-TO252-3-1	40	6.0	2.1 ... 4.0	80
■ IPD70N04S3-07	SP000261221	IPD70N04S307ATMA1	PG-TO252-3-1	40	6.8	2.1 ... 4.0	70
IPD50N04S4L-08	SP000711456	IPD50N04S4L08ATMA1	PG-TO252-3-1	40	7.3	1.2 ... 2.2	50
IPD50N04S4-08	SP000711450	IPD50N04S408ATMA1	PG-TO252-3-1	40	7.9	2.0 ... 4.0	50
■ IPD50N04S3-08	SP000261218	IPD50N04S308ATMA1	PG-TO252-3-1	40	8.0	2.1 ... 4.0	50
■ IPD50N04S3-09	SP000415582	IPD50N04S309ATMA1	PG-TO252-3-1	40	9.0	2.1 ... 4.0	50
IPD50N04S4-10	SP000711466	IPD50N04S410ATMA1	PG-TO252-3-1	40	9.3	2.0 ... 4.0	50

SMD = Surface Mounted Device



Type	Ordering Code	Orderable Part Number	Package	Data			
				V_{DS} V	$R_{DS(on)max}$ mΩ	$V_{GS(th)}$ V	I_D A

Automotive N-Channel MOSFETs

40V
(cont'd)

IPG20N04S4L-07	SP000705484	IPG20N04S4L07ATMA1	PG-TDSON-8-4	40	2 x 7.2	1.2 ... 2.2	20
▼ IPG20N04S4L-07A	SP001061264	IPG20N04S4L07AATMA1	PG-TDSON-8-10	40	2 x 7.2	1.2 ... 2.2	20
IPG20N04S4L-08	SP000705576	IPG20N04S4L08ATMA1	PG-TDSON-8-4	40	2 x 8.2	1.2 ... 2.2	20
▼ IPG20N04S4-08A	SP000938100	IPG20N04S408AATMA1	PG-TDSON-8-10	40	2 x 8.2	2.0 ... 4.0	20
IPG20N04S4-08	SP000705582	IPG20N04S408ATMA1	PG-TDSON-8-4	40	2 x 7.6	2.0 ... 4.0	20
IPG20N04S4-09	SP000705570	IPG20N04S409ATMA1	PG-TDSON-8-4	40	2 x 8.6	2.0 ... 4.0	20
IPG20N04S4L-11	SP000705564	IPG20N04S4L11ATMA1	PG-TDSON-8-4	40	2 x 11.6	1.2 ... 2.2	20
IPG20N04S4-12	SP000705560	IPG20N04S412ATMA1	PG-TDSON-8-4	40	2 x 12.2	2.0 ... 4.0	20
▼ IPG20N04S4-12A	SP000938098	IPG20N04S412AATMA1	PG-TDSON-8-10	40	2 x 12.2	2.0 ... 4.0	20
IPI120N04S4-01	SP000705722	IPI120N04S401AKSA1	PG-TO262-3-1	40	1.5	2.0 ... 4.0	120
IPI120N04S4-02	SP000764742	IPI120N04S402AKSA1	PG-TO262-3-1	40	1.8	2.0 ... 4.0	120
IPI90N04S4-04	SP000646194	IPI90N04S402AKSA1	PG-TO262-3-1	40	2.1	2.0 ... 4.0	90
■ IPI120N04S3-02	SP000261225	IPI120N04S302AKSA1	PG-TO262-3-1	40	2.3	2.1 ... 4.0	120
IPI100N04S4-H2	SP000711282	IPI100N04S4H2AKSA1	PG-TO262-3-1	40	2.4	2.0 ... 4.0	100
■ IPI100N04S4-03M	SP000850484	IPI100N04S403DXKSA1	PG-TO262-3-1	40	2.5	2.1 ... 4.0	100
IPI100N04S3-03	SP000465798	IPI100N04S303MATMA2	PG-TO262-3-1	40	2.5	2.0 ... 4.0	100
■ IPI80N04S3-03	SP000261238	IPI80N04S303AKSA1	PG-TO262-3-1	40	3.0	2.1 ... 4.0	80
■ IPI100N04S3-03	SP000261223	IPI100N04S303AKSA1	PG-TO262-3-1	40	3.3	2.1 ... 4.0	100
IPI80N04S4-03	SP000671634	IPI80N04S403AKSA1	PG-TO262-3-1	40	3.3	2.0 ... 4.0	80
IPI80N04S2-04	SP000219058	IPI80N04S204AKSA1	PG-TO262-3-1	40	3.7	2.1 ... 4.0	80
IPI80N04S2-H4	SP000218171	IPI80N04S2H4AKSA1	PG-TO262-3-1	40	4.0	2.1 ... 4.0	80
IPI80N04S4L-04	SP000646192	IPI80N04S4L04AKSA1	PG-TO262-3-1	40	4.0	1.2 ... 2.0	80
IPI80N04S4-04	SP000646190	IPI80N04S404AKSA1	PG-TO262-3-1	40	4.2	2.0 ... 4.0	80
■ IPI80N04S3-04	SP000261226	IPI80N04S304AKSA1	PG-TO262-3-1	40	4.3	2.1 ... 4.0	80
■ IPI80N04S3-H4	SP000415630	IPI80N04S3H4AKSA1	PG-TO262-3-1	40	4.8	2.1 ... 4.0	80
IPI70N04S4-06	SP000711484	IPI70N04S406AKSA1	PG-TO262-3-1	40	6.2	2.0 ... 4.0	70
■ IPI80N04S3-06	SP000261237	IPI80N04S306AKSA1	PG-TO262-3-1	40	6.3	2.1 ... 4.0	80
■ IPI70N04S3-03	SP000279551	IPI70N04S307AKSA1	PG-TO262-3-1	40	6.8	2.1 ... 4.0	70
IPP120N04S4-01	SP000705704	IPP120N04S401AKSA1	PG-TO220-3-1	40	1.5	2.0 ... 4.0	120
IPP120N04S4-02	SP000764734	IPP120N04S402AKSA1	PG-TO220-3-1	40	1.8	2.0 ... 4.0	120
IPP90N04S4-02	SP000646200	IPP90N04S402AKSA1	PG-TO220-3-1	40	2.1	2.0 ... 4.0	90
■ IPP120N04S3-02	SP000261228	IPP120N04S302AKSA1	PG-TO220-3-1	40	2.3	2.1 ... 4.0	120
IPP100N04S4-H2	SP000711278	IPP100N04S4H2AKSA1	PG-TO220-3-1	40	2.4	2.0 ... 4.0	100
IPP100N04S3-03	SP000850486	IPP100N04S403DXKSA1	PG-TO220-3-1	40	2.5	2.0 ... 4.0	100
■ IPP80N04S3-03	SP000261229	IPP80N04S303AKSA1	PG-TO220-3-1	40	3.0	2.1 ... 4.0	80
IPP80N04S2L-03	SP000219063	IPP80N04S2L03AKSA1	PG-TO220-3-1	40	3.3	1.2 ... 2.0	80
IPP100N04S2L-03	SP000219062	IPP100N04S2L03AKSA1	PG-TO220-3-1	40	3.3	1.2 ... 2.0	100
IPP100N04S2-04	SP000219056	IPP100N04S204AKSA1	PG-TO220-3-1	40	3.3	2.1 ... 4.0	100
■ IPP100N04S3-03	SP000261227	IPP100N04S303AKSA1	PG-TO220-3-1	40	3.3	2.1 ... 4.0	100
IPP80N04S4-03	SP000671756	IPP80N04S403AKSA1	PG-TO220-3-1	40	3.3	2.0 ... 4.0	80
IPP80N04S2-04	SP000219054	IPP80N04S204AKSA1	PG-TO220-3-1	40	3.4	2.1 ... 4.0	80
IPP80N04S2-H4	SP000218169	IPP80N04S2H4AKSA1	PG-TO220-3-1	40	4.0	2.1 ... 4.0	80
IPP80N04S4L-04	SP000646198	IPP80N04S4L04AKSA1	PG-TO220-3-1	40	4.0	1.2 ... 2.0	80
IPP80N04S4-04	SP000646196	IPP80N04S404AKSA1	PG-TO220-3-1	40	4.2	2.0 ... 4.0	80
■ IPP80N04S3-04	SP000261230	IPP80N04S304AKSA1	PG-TO220-3-1	40	4.3	2.1 ... 4.0	80
■ IPP80N04S3-H4	SP000415702	IPP80N04S3H4AKSA1	PG-TO220-3-1	40	4.3	2.1 ... 4.0	80
IPP70N04S4-06	SP000711480	IPP70N04S406AKSA1	PG-TO220-3-1	40	6.2	2.0 ... 4.0	70
■ IPP70N04S3-07	SP000279559	IPP70N04S307AKSA1	PG-TO220-3-1	40	6.2	2.1 ... 4.0	80
■ IPP80N04S3-06	SP000261233	IPP80N04S306AKSA1	PG-TO220-3-1	40	6.3	2.1 ... 4.0	80

SMD = Surface Mounted Device

Power Semiconductors

Type	Ordering Code	Orderable Part Number	Package	Data			
				V_{DS}	$R_{DS(on)max}$	$V_{GS(th)}$	I_D
				V	m Ω	V	A

Automotive N-Channel MOSFETs

55V

BSO604NS2	SP000396268	BSO604NS2XUMA1	PG-DSO-8-5	55	2 x 35	1.2 ... 2.0	5.0
■ BSP603S2L	SP000431792	BSP603S2LHUMA1	SOT223	55	33	1.2 ... 2.0	5.2
IPB100N06S2L-05	SP000219003	IPB100N06S2L05ATMA1	PG-TO263-3-2	55	4.4	1.2 ... 2.0	100
IPB80N06S2L-05	SP000219004	IPB80N06S2L05ATMA1	PG-TO263-3-2	55	4.5	1.2 ... 2.0	80
IPB100N06S2-05	SP000218874	IPB100N06S205ATMA1	PG-TO263-3-2	55	4.7	2.1 ... 4.0	100
IPB80N06S2-05	SP000218877	IPB80N06S205ATMA1	PG-TO263-3-2	55	4.8	2.1 ... 4.0	80
IPB80N06S2L-H5	SP000219068	IPB80N06S2LH5ATMA1	PG-TO263-3-2	55	5.0	1.2 ... 2.0	80
IPB80N06S2-H5	SP000377048	IPB80N06S2H5AUMA1	PG-TO263-3-2	55	5.5	2.1 ... 4.0	80
IPB80N06S2-H5	SP000218162	IPB80N06S2H5ATMA1	PG-TO263-3-2	55	5.5	2.1 ... 4.0	80
IPB80N06S2L-06	SP000218163	IPB80N06S2L06ATMA1	PG-TO263-3-2	55	6.3	1.2 ... 2.0	80
IPB80N06S2-07	SP000218818	IPB80N06S207ATMA1	PG-TO263-3-2	55	6.6	2.1 ... 4.0	80
IPB80N06S2L-07	SP000218867	IPB80N06S2L07ATMA1	PG-TO263-3-2	55	7.0	1.2 ... 2.0	80
IPB80N06S2-08	SP000218830	IPB80N06S208ATMA1	PG-TO263-3-2	55	8.0	2.1 ... 4.0	80
IPB80N06S2L-09	SP000218743	IPB80N06S2L09ATMA1	PG-TO263-3-2	55	8.5	1.2 ... 2.0	80
IPB80N06S2-09	SP000218741	IPB80N06S209ATMA1	PG-TO263-3-2	55	9.1	2.1 ... 4.0	80
IPB80N06S2L-11	SP000218177	IPB80N06S2L11ATMA1	PG-TO263-3-2	55	11	1.2 ... 2.0	80
IPB77N06S2-12	SP000218173	IPB77N06S212ATMA1	PG-TO263-3-2	55	12	2.1 ... 4.0	77
IPD30N06S2L-13	SP000252167	IPD30N06S2L13ATMA1	PG-TO252-3-11	55	12.7	1.2 ... 2.0	30
IPD50N06S2L-13	SP000252172	IPD50N06S2L13ATMA1	PG-TO252-3-11	55	13	1.2 ... 2.0	50
IPD50N06S2-14	SP000252171	IPD50N06S214ATMA1	PG-TO252-3-11	55	14.4	2.1 ... 4.0	50
IPD30N06S2-15	SP000252160	IPD30N06S215ATMA1	PG-TO252-3-11	55	14.7	2.1 ... 4.0	30
IPD30N06S2-23	SP000252166	IPD30N06S223ATMA1	PG-TO252-3-11	55	23	2.1 ... 4.0	30
IPD30N06S2L-23	SP000252168	IPD30N06S2L23ATMA1	PG-TO252-3-11	55	23	1.2 ... 2.0	30
IPD26N06S2L-35	SP000252165	IPD26N06S2L35ATMA1	PG-TO252-3-11	55	35	1.2 ... 2.0	26
IPD25N06S2-40	SP000252164	IPD25N06S240ATMA1	PG-TO252-3-11	55	40	2.1 ... 4.0	25
▼ IPD15N06S2L-64	SP000252162	IPD15N06S2L64ATMA1	PG-TO252-3-11	55	64	1.2 ... 2.0	19
IPD14N06S2-80	SP000252161	IPD14N06S280ATMA1	PG-TO252-3-11	55	80	2.1 ... 4.0	14
IPG20N06S2L-35	SP000613718	IPG20N06S2L35ATMA1	PG-TDSON-8-4	55	2 x 35	1.2 ... 2.0	20
▼ IPG20N06S2L-35A	SP001023838	IPG20N06S2L35AATMA1	PG-TDSON-8-10	55	2 x 35	1.2 ... 2.0	20
IPG20N06S2L-50	SP000613728	IPG20N06S2L50ATMA1	PG-TDSON-8-4	55	2 x 50	1.2 ... 2.0	20
▼ IPG20N06S2L-50A	SP001023842	IPG20N06S2L50AATMA1	PG-TDSON-8-10	55	2 x 50	1.2 ... 2.0	20
IPG20N06S2L-65	SP000613722	IPG20N06S2L65ATMA1	PG-TDSON-8-4	55	2 x 65	1.2 ... 2.0	20
▼ IPG20N06S2L-65A	SP001023844	IPG20N06S2L65AATMA1	PG-TDSON-8-10	55	2 x 65	1.2 ... 2.0	20
IPI80N06S2L-05	SP000219002	IPI80N06S2L05AKSA1	PG-TO262-3-1	55	4.8	1.2 ... 2.0	80
IPI80N06S2-07	SP000218817	IPI80N06S207AKSA1	PG-TO262-3-1	55	6.6	2.1 ... 4.0	80
IPI80N06S2-08	SP000218828	IPI80N06S208AKSA1	PG-TO262-3-1	55	8.0	2.1 ... 4.0	80
IPI80N06S2L-11	SP000218176	IPI80N06S2L11AKSA1	PG-TO262-3-1	55	11	1.2 ... 2.0	80
IPP100N06S2-05	SP000218872	IPP100N06S205AKSA1	PG-TO220-3-1	55	4.7	2.1 ... 4.0	100
IPP100N06S2L-05	SP000218879	IPP100N06S2L05AKSA1	PG-TO220-3-1	55	4.7	1.2 ... 2.0	100
IPP80N06S2L-05	SP000219000	IPP80N06S2L05AKSA1	PG-TO220-3-1	55	4.8	1.2 ... 2.0	80
IPP80N06S2-05	SP000218873	IPP80N06S205AKSA1	PG-TO220-3-1	55	5.1	2.1 ... 4.0	80
IPP80N06S2L-H5	SP000219067	IPP80N06S2LH5AKSA1	PG-TO220-3-1	55	5.3	1.2 ... 2.0	80
IPP80N06S2-H5	SP000218155	IPP80N06S2H5AKSA1	PG-TO220-3-1	55	5.5	2.1 ... 4.0	80
IPP80N06S2-07	SP000218810	IPP80N06S207AKSA1	PG-TO220-3-1	55	6.3	2.1 ... 4.0	80
IPP80N06S2L-06	SP000218824	IPP80N06S2L06AKSA1	PG-TO220-3-1	55	6.3	1.2 ... 2.0	80
IPP80N06S2L-07	SP000218831	IPP80N06S2L07AKSA1	PG-TO220-3-1	55	7.0	1.2 ... 2.0	80
IPP80N06S2-08	SP000218826	IPP80N06S208AKSA1	PG-TO220-3-1	55	8.0	2.1 ... 4.0	80
IPP80N06S2-09	SP000218740	IPP80N06S209AKSA1	PG-TO220-3-1	55	8.5	2.1 ... 4.0	80
IPP80N06S2L-09	SP000218742	IPP80N06S2L09AKSA1	PG-TO220-3-1	55	9.1	1.2 ... 2.0	80

SMD = Surface Mounted Device

Type	Ordering Code	Orderable Part Number	Package	Data			
				V_{DS} V	$R_{DS(on)max}$ mΩ	$V_{GS(th)}$ V	I_D A

Automotive N-Channel MOSFETs**55V**

(cont'd)

IPP80N06S2L-11	SP000218175	IPP80N06S2L11AKSA1	PG-TO220-3-1	55	11	1.2 ... 2.0	80
IPP77N06S2-12	SP000218172	IPP77N06S212AKSA1	PG-TO220-3-1	55	12	2.1 ... 4.0	77
■ SPB80N06S-08	SP000084808	SPB80N06S08ATMA1	PG-TO263-3-2	55	7.7	2.1 ... 4.0	80
SPP80N06S-08	SP000084810	SPP80N06S08AKSA1	PG-TO220-3-1	55	7.7	2.1 ... 4.0	80

60V

IPB180N06S4-H1	SP000415562	IPB180N06S4H1ATMA1	PG-TO263-7-3	60	1.7	2.0 ... 4.0	180
IPB180N06S4-H1	SP001028786	IPB180N06S4H1ATMA2	PG-TO263-7-3	60	1.7	2.0 ... 4.0	180
IPB120N06S4-H1	SP000396274	IPB120N06S4H1ATMA1	PG-TO263-3-2	60	2.1	2.0 ... 4.0	120
IPB120N06S4-H1	SP001028782	IPB120N06S4H1ATMA2	PG-TO263-3-2	60	2.1	2.0 ... 4.0	120
IPB120N06S4-02	SP000415560	IPB120N06S402ATMA1	PG-TO263-3-2	60	2.4	2.0 ... 4.0	120
IPB120N06S4-02	SP001028776	IPB120N06S402ATMA2	PG-TO263-3-2	60	2.4	2.0 ... 4.0	120
IPB120N06S4-03	SP000415558	IPB120N06S403ATMA1	PG-TO263-3-2	60	2.8	2.0 ... 4.0	120
IPB120N06S4-03	SP001028770	IPB120N06S403ATMA2	PG-TO263-3-2	60	2.8	2.0 ... 4.0	120
IPB90N06S4L-04	SP000415574	IPB90N06S4L04ATMA1	PG-TO263-3-2	60	3.4	1.2 ... 2.2	90
IPB90N06S4L-04	SP001028756	IPB90N06S4L04ATMA2	PG-TO263-3-2	60	3.4	1.2 ... 2.2	90
IPB90N06S4-04	SP000379632	IPB90N06S404ATMA1	PG-TO263-3-2	60	3.7	2.0 ... 4.0	90
IPB90N06S4-04	SP001028754	IPB90N06S404ATMA2	PG-TO263-3-2	60	3.7	2.0 ... 4.0	90
IPB80N06S4L-05	SP000415570	IPB80N06S4L05ATMA1	PG-TO263-3-2	60	4.8	1.2 ... 2.2	80
IPB80N06S4L-05	SP001028720	IPB80N06S4L05ATMA2	PG-TO263-3-2	60	4.8	1.2 ... 2.2	80
IPB80N06S4-05	SP000415566	IPB80N06S405ATMA1	PG-TO263-3-2	60	5.4	2.0 ... 4.0	80
IPB80N06S4-05	SP001028718	IPB80N06S405ATMA2	PG-TO263-3-2	60	5.4	2.0 ... 4.0	80
IPB80N06S4-07	SP000415568	IPB80N06S407ATMA1	PG-TO263-3-2	60	7.1	2.0 ... 4.0	80
IPB80N06S4-07	SP001028672	IPB80N06S407ATMA2	PG-TO263-3-2	60	7.1	2.0 ... 4.0	80
IPB80N06S4L-07	SP000415572	IPB80N06S4L07ATMA1	PG-TO263-3-2	60	6.4	1.2 ... 2.2	80
IPB80N06S4L-07	SP001028674	IPB80N06S4L07ATMA2	PG-TO263-3-2	60	6.4	1.2 ... 2.2	80
IPB45N06S4L-08	SP000374316	IPB45N06S4L08ATMA1	PG-TO263-3-2	60	8.2	1.2 ... 2.2	45
IPB45N06S4L-08	SP001028654	IPB45N06S4L08ATMA2	PG-TO263-3-2	60	8.2	1.2 ... 2.2	45
IPB45N06S4-09	SP000374315	IPB45N06S409ATMA1	PG-TO263-3-2	60	9.1	2.0 ... 4.0	45
IPB45N06S4-09	SP001028652	IPB45N06S409ATMA2	PG-TO263-3-2	60	9.1	2.0 ... 4.0	45
IPD100N06S4-03	SP000415576	IPD100N06S403ATMA1	PG-TO252-3-11	60	3.5	2.0 ... 4.0	100
IPD100N06S4-03	SP001028766	IPD100N06S403ATMA2	PG-TO252-3-11	60	3.5	2.0 ... 4.0	100
IPD90N06S4L-03	SP000374326	IPD90N06S4L03ATMA1	PG-TO252-3-11	60	3.5	1.2 ... 2.2	90
IPD90N06S4L-03	SP001028764	IPD90N06S4L03ATMA2	PG-TO252-3-11	60	3.5	1.2 ... 2.2	90
IPD90N06S4-04	SP000374323	IPD90N06S404ATMA1	PG-TO252-3-11	60	3.8	2.0 ... 4.0	90
IPD90N06S4-04	SP001028762	IPD90N06S404ATMA2	PG-TO252-3-11	60	3.8	2.0 ... 4.0	90
IPD90N06S4L-05	SP000415588	IPD90N06S4L05ATMA1	PG-TO252-3-11	60	4.6	1.2 ... 2.2	90
IPD90N06S4L-05	SP001028748	IPD90N06S4L05ATMA2	PG-TO252-3-11	60	4.6	1.2 ... 2.2	90
IPD90N06S4-05	SP000481510	IPD90N06S405ATMA1	PG-TO252-3-11	60	5.1	2.0 ... 4.0	90
IPD90N06S4-05	SP001028730	IPD90N06S405ATMA2	PG-TO252-3-11	60	5.1	2.0 ... 4.0	90
IPD90N06S4L-06	SP000415594	IPD90N06S4L06ATMA1	PG-TO252-3-11	60	6.1	1.2 ... 2.2	90
IPD90N06S4L-06	SP001028682	IPD90N06S4L06ATMA2	PG-TO252-3-11	60	6.1	1.2 ... 2.2	90
IPD90N06S4-07	SP000415586	IPD90N06S407ATMA1	PG-TO252-3-11	60	6.9	2.0 ... 4.0	90
IPD90N06S4-07	SP001028680	IPD90N06S407ATMA2	PG-TO252-3-11	60	6.9	2.0 ... 4.0	90
IPD50N06S4L-08	SP000374322	IPD50N06S4L08ATMA1	PG-TO252-3-11	60	7.9	1.2 ... 2.2	50
IPD50N06S4L-08	SP001028664	IPD50N06S4L08ATMA2	PG-TO252-3-11	60	7.9	1.2 ... 2.2	50

SMD = Surface Mounted Device

Power Semiconductors

Type	Ordering Code	Orderable Part Number	Package	Data			
				V_{DS}	$R_{DS(on)max}$	$V_{GS(th)}$	I_D
				$m\Omega$	V	A	

Automotive N-Channel MOSFETs

60V (cont'd)

IPD50N06S4-09	SP000374321	IPD50N06S409ATMA1	PG-TO252-3-11	60	9.0	2.0 ... 4.0	50
IPD50N06S4-09	SP001028662	IPD50N06S409ATMA2	PG-TO252-3-11	60	9.0	2.0 ... 4.0	50
IPD50N06S4L-12	SP000476422	IPD50N06S4L12ATMA1	PG-TO252-3-11	60	12	1.2 ... 2.2	50
IPD50N06S4L-12	SP001028640	IPD50N06S4L12ATMA2	PG-TO252-3-11	60	12	1.2 ... 2.2	50
IPD30N06S4L-23	SP000374320	IPD30N06S4L23ATMA1	PG-TO252-3-11	60	23	1.2 ... 2.2	30
IPD30N06S4L-23	SP001028638	IPD30N06S4L23ATMA2	PG-TO252-3-11	60	23	1.2 ... 2.2	30
IPD25N06S4L-30	SP000481508	IPD25N06S4L30ATMA1	PG-TO252-3-11	60	30	1.2 ... 2.2	25
IPD25N06S4L-30	SP001028636	IPD25N06S4L30ATMA2	PG-TO252-3-11	60	30	1.2 ... 2.2	25
IPG20N06S4L-11	SP000705550	IPG20N06S4L11ATMA1	PG-TDSON-8-4	60	2 x 11.2	1.2 ... 2.2	20
IPG20N06S4L-14	SP000705540	IPG20N06S4L14ATMA1	PG-TDSON-8-4	60	2 x 13.7	1.2 ... 2.2	20
IPG20N06S4L-14	SP001028632	IPG20N06S4L14ATMA2	PG-TDSON-8-4	60	2 x 13.7	1.2 ... 2.2	20
▼ IPG20N06S4L-14A	SP001023846	IPG20N06S4L14AATMA1	PG-TDSON-8-10	60	2 x 13.7	1.2 ... 2.2	20
IPG20N06S4-15	SP000705490	IPG20N06S415ATMA1	PG-TDSON-8-4	60	2 x 15.5	2.0 ... 4.0	20
IPG20N06S4-15	SP001028634	IPG20N06S415ATMA2	PG-TDSON-8-4	60	2 x 15.5	2.0 ... 4.0	20
IPG20N06S4L-26	SP000705588	IPG20N06S4L26ATMA1	PG-TDSON-8-4	60	2 x 26	1.2 ... 2.2	20
▼ IPG20N06S4L-26A	SP001023848	IPG20N06S4L26AATMA1	PG-TDSON-8-10	60	2 x 26	1.2 ... 2.2	20
IPI120N06S4-H1	SP000415620	IPI120N06S4H1AKSA1	PG-TO262-3-1	60	2.4	2.0 ... 4.0	120
IPI120N06S4-H1	SP001028784	IPI120N06S4H1AKSA2	PG-TO262-3-1	60	2.4	2.0 ... 4.0	120
IPI120N06S4-02	SP000415622	IPI120N06S402AKSA1	PG-TO262-3-1	60	2.8	2.0 ... 4.0	120
IPI120N06S4-02	SP001028778	IPI120N06S402AKSA2	PG-TO262-3-1	60	2.8	2.0 ... 4.0	120
IPI120N06S4-03	SP000396308	IPI120N06S403AKSA1	PG-TO262-3-1	60	3.1	2.0 ... 4.0	120
IPI120N06S4-03	SP001028772	IPI120N06S403AKSA2	PG-TO262-3-1	60	3.1	2.0 ... 4.0	120
IPI90N06S4L-04	SP000415696	IPI90N06S4L04AKSA1	PG-TO262-3-1	60	3.7	1.2 ... 2.2	90
IPI90N06S4L-04	SP001028760	IPI90N06S4L04AKSA2	PG-TO262-3-1	60	3.7	1.2 ... 2.2	90
IPI90N06S4-04	SP000379633	IPI90N06S404AKSA1	PG-TO262-3-1	60	4.0	2.0 ... 4.0	90
IPI90N06S4-04	SP001028758	IPI90N06S404AKSA2	PG-TO262-3-1	60	4.0	2.0 ... 4.0	90
▼ IPI80N06S4L-05	SP000415692	IPI80N06S4L05AKSA1	PG-TO262-3-1	60	4.8	1.2 ... 2.2	80
IPI80N06S4-05	SP000415632	IPI80N06S405AKSA1	PG-TO262-3-1	60	5.7	2.0 ... 4.0	80
IPI80N06S4-05	SP001028724	IPI80N06S405AKSA2	PG-TO262-3-1	60	5.7	2.0 ... 4.0	80
IPI80N06S4L-07	SP000415694	IPI80N06S4L07AKSA1	PG-TO262-3-1	60	6.7	1.2 ... 2.2	80
IPI80N06S4L-07	SP001028678	IPI80N06S4L07AKSA2	PG-TO262-3-1	60	6.7	1.2 ... 2.2	80
IPI80N06S4-07	SP000415690	IPI80N06S407AKSA1	PG-TO262-3-1	60	7.4	2.0 ... 4.0	80
IPI80N06S4-07	SP001028676	IPI80N06S407AKSA2	PG-TO262-3-1	60	7.4	2.0 ... 4.0	80
IPI45N06S4L-08	SP000374333	IPI45N06S4L08AKSA1	PG-TO262-3-1	60	8.5	1.2 ... 2.2	45
IPI45N06S4L-08	SP001028660	IPI45N06S4L08AKSA2	PG-TO262-3-1	60	8.5	1.2 ... 2.2	45
IPI45N06S4-09	SP000374332	IPI45N06S409AKSA1	PG-TO262-3-1	60	9.4	2.0 ... 4.0	45
IPI45N06S4-09	SP001028656	IPI45N06S409AKSA2	PG-TO262-3-1	60	9.4	2.0 ... 4.0	45

SMD = Surface Mounted Device

Type	Ordering Code	Orderable Part Number	Package	Data			
				V_{DS} V	$R_{DS(on)max}$ mΩ	$V_{GS(th)}$ V	I_D A

Automotive N-Channel MOSFETs

60V
(cont'd)

IPP120N06S4-H1	SP000415698	IPP120N06S4H1AKSA1	PG-TO220-3-1	60	2.4	2.0 ... 4.0	120
IPP120N06S4-H1	SP001028780	IPP120N06S4H1AKSA2	PG-TO220-3-1	60	2.4	2.0 ... 4.0	120
IPP120N06S4-02	SP000415700	IPP120N06S402AKSA1	PG-TO220-3-1	60	2.8	2.0 ... 4.0	120
IPP120N06S4-02	SP001028774	IPP120N06S402AKSA2	PG-TO220-3-1	60	2.8	2.0 ... 4.0	120
IPP120N06S4-03	SP000396380	IPP120N06S403AKSA1	PG-TO220-3-1	60	3.1	2.0 ... 4.0	120
IPP120N06S4-03	SP001028768	IPP120N06S403AKSA2	PG-TO220-3-1	60	3.1	2.0 ... 4.0	120
IPP90N06S4L-04	SP000415712	IPP90N06S4L04AKSA1	PG-TO220-3-1	60	3.7	1.2 ... 2.2	90
IPP90N06S4L-04	SP001028752	IPP90N06S4L04AKSA2	PG-TO220-3-1	60	3.7	1.2 ... 2.2	90
IPP90N06S4-04	SP000379634	IPP90N06S404AKSA1	PG-TO220-3-1	60	4.0	2.0 ... 4.0	90
IPP90N06S4-04	SP001028750	IPP90N06S404AKSA2	PG-TO220-3-1	60	4.0	2.0 ... 4.0	90
IPP80N06S4L-05	SP000415708	IPP80N06S4L05AKSA1	PG-TO220-3-1	60	4.8	1.2 ... 2.2	80
IPP80N06S4L-05	SP001028716	IPP80N06S4L05AKSA2	PG-TO220-3-1	60	4.8	1.2 ... 2.2	80
IPP80N06S4-05	SP000415704	IPP80N06S405AKSA1	PG-TO220-3-1	60	5.4	2.0 ... 4.0	80
IPP80N06S4-05	SP001028712	IPP80N06S405AKSA2	PG-TO220-3-1	60	5.4	2.0 ... 4.0	80
IPP80N06S4L-07	SP000415710	IPP80N06S4L07AKSA1	PG-TO220-3-1	60	6.7	1.2 ... 2.2	80
IPP80N06S4L-07	SP001028668	IPP80N06S4L07AKSA2	PG-TO220-3-1	60	6.7	1.2 ... 2.2	80
IPP80N06S4-07	SP000415706	IPP80N06S407AKSA1	PG-TO220-3-1	60	7.4	2.0 ... 4.0	80
IPP80N06S4-07	SP001028666	IPP80N06S407AKSA2	PG-TO220-3-1	60	7.4	2.0 ... 4.0	80
IPP45N06S4L-08	SP000374340	IPP45N06S4L08AKSA1	PG-TO220-3-1	60	8.5	1.2 ... 2.2	45
IPP45N06S4L-08	SP001028650	IPP45N06S4L08AKSA2	PG-TO220-3-1	60	8.5	1.2 ... 2.2	45
IPP45N06S4-09	SP000374339	IPP45N06S409AKSA1	PG-TO220-3-1	60	9.4	2.0 ... 4.0	45
IPP45N06S4-09	SP001028648	IPP45N06S409AKSA2	PG-TO220-3-1	60	9.4	2.0 ... 4.0	45

75V

IPB100N08S2L-07	SP000219053	IPB100N08S2L07ATMA1	PG-TO263-3-2	75	6.5	1.2 ... 2.0	100
IPB100N08S2-07	SP000219044	IPB100N08S207ATMA1	PG-TO263-3-2	75	6.8	2.1 ... 4.0	100
IPB80N08S2L-07	SP000219051	IPB80N08S2L07ATMA1	PG-TO263-3-2	75	6.8	1.2 ... 2.0	80
IPB80N08S2-07	SP000219048	IPB80N08S207ATMA1	PG-TO263-3-2	75	7.1	2.1 ... 4.0	80
IPD30N08S2-22	SP000252169	IPD30N08S222ATMA1	PG-TO252-3-11	75	21.5	2.1 ... 4.0	30
IPD30N08S2L-21	SP000252170	IPD30N08S2L21ATMA1	PG-TO252-3-11	75	25	1.2 ... 2.0	30
IPD22N08S2L-50	SP000252163	IPD22N08S2L50ATMA1	PG-TO252-3-11	75	50	1.2 ... 2.0	22
IPI100N08S2-07	SP000219041	IPI100N08S207AKSA1	PG-TO262-3-1	75	7.0	2.1 ... 4.0	100
IPI80N08S2-07	SP000219043	IPI80N08S207AKSA1	PG-TO262-3-1	75	7.0	2.1 ... 4.0	80
IPP100N08S2L-07	SP000219052	IPP100N08S2L07AKSA1	PG-TO220-3-1	75	6.8	1.2 ... 2.0	100
IPP100N08S2-07	SP000219005	IPP100N08S207AKSA1	PG-TO220-3-1	75	7.1	2.1 ... 4.0	100
IPP80N08S2L-07	SP000219050	IPP80N08S2L07AKSA1	PG-TO220-3-1	75	7.1	1.2 ... 2.0	80
IPP80N08S2-07	SP000219040	IPP80N08S207AKSA1	PG-TO220-3-1	75	7.4	2.1 ... 4.0	80

SMD = Surface Mounted Device

Power Semiconductors

Type	Ordering Code	Orderable Part Number	Package	Data			
				V_{DS}	$R_{DS(on)max}$	$V_{GS(th)}$	I_D
				V	mΩ	V	A

Automotive N-Channel MOSFETs

100V

▼ IPB180N10S4-02	SP001057184	IPB180N10S402ATMA1	PG-TO263-7-3	100	2.5	2.0 ... 3.5	180
IPB100N10S3-05	SP000261243	IPB100N10S305ATMA1	PG-TO263-3-2	100	4.8	2.0 ... 4.0	100
IPB70N10S3-05	SP000261246	IPB70N10S312ATMA1	PG-TO263-3-2	100	11.3	2.0 ... 4.0	70
IPB70N10S3L-12	SP000379631	IPB70N10S3L12ATMA1	PG-TO263-3-2	100	11.8	2.0 ... 4.0	70
■ IPB50N10S3L-16	SP000386183	IPB50N10S3L16ATMA1	PG-TO263-3-2	100	15.4	1.2 ... 2.4	50
IPB70N10SL-16	SP000225700	IPB70N10SL16ATMA1	PG-TO263-3-2	100	16	1.2 ... 2.0	70
■ IPB47N10SL-26	SP000225701	IPB47N10SL26ATMA1	PG-TO263-3-2	100	26	1.2 ... 2.0	47
IPB35N10S3L-26	SP000776044	IPB35N10S3L26ATMA1	PG-TO263-3-2	100	26.3	1.2 ... 2.4	35
■ IPB47N10S-33	SP000225702	IPB47N10S33ATMA1	PG-TO263-3-2	100	33	2.1 ... 4.0	47
IPD90N10S4L-06	SP000866562	IPD90N10S4L06ATMA1	PG-TO252-3-313	100	6.6	1.1 ... 2.1	90
IPD70N10S3-12	SP000427248	IPD70N10S312ATMA1	PG-TO252-3-11	100	11.1	2.0 ... 4.0	70
IPD70N10S3L-12	SP000261250	IPD70N10S3L12ATMA1	PG-TO252-3-11	100	11.5	1.2 ... 2.4	70
IPD60N10S4L-12	SP000866550	IPD60N10S4L12ATMA1	PG-TO252-3-313	100	12	1.1 ... 2.1	60
IPD50N10S3L-16	SP000386185	IPD50N10S3L16ATMA1	PG-TO252-3-11	100	15	1.2 ... 2.4	50
IPD30N10S3L-34	SP000261248	IPD30N10S3L34ATMA1	PG-TO252-3-11	100	31	1.2 ... 2.4	30
IPD35N10S3L-26	SP000386184	IPD35N10S3L26ATMA1	PG-TO252-3-11	100	26	1.2 ... 2.4	35
IPG20N10S4L-22	SP000866570	IPG20N10S4L22ATMA1	PG-TDSON-8-4	100	2 x 22	1.1 ... 2.1	20
IPG20N10S4L-35	SP000859022	IPG20N10S4L35ATMA1	PG-TDSON-8-4	100	2 x 35	1.1 ... 2.1	20
IPG16N10S4-61	SP000892972	IPG16N10S461ATMA1	PG-TDSON-8-4	100	2 x 61	2.0 ... 3.5	16
IPI100N10S3-05	SP000407128	IPI100N10S305AKSA1	PG-TO262-3-1	100	4.8	2.0 ... 4.0	100
IPI70N10S3-05	SP000407124	IPI70N10S312AKSA1	PG-TO262-3-1	100	11.3	2.0 ... 4.0	70
IPI70N10S3L-12	SP000427250	IPI70N10S3L12AKSA1	PG-TO262-3-1	100	12.1	2.0 ... 4.0	70
IPI50N10S3L-16	SP000407120	IPI50N10S3L16AKSA1	PG-TO262-3-1	100	15.4	1.2 ... 2.4	50
■ IPI70N10SL-16	SP000225705	IPI70N10SL16AKSA1	PG-TO262-3-1	100	16	1.2 ... 2.0	70
■ IPI47N10SL-26	SP000225704	IPI47N10SL26AKSA1	PG-TO262-3-1	100	26	1.2 ... 2.0	47
■ IPI47N10S-33	SP000225703	IPI47N10S33AKSA1	PG-TO262-3-1	100	33	2.1 ... 4.0	47
IPP100N10S3-05	SP000407126	IPP100N10S305AKSA1	PG-TO220-3-1	100	4.8	2.0 ... 4.0	100
IPP70N10S3-12	SP000407122	IPP70N10S312AKSA1	PG-TO220-3-1	100	11.3	2.0 ... 4.0	70
IPP70N10S3L-12	SP000427252	IPP70N10S3L12AKSA1	PG-TO220-3-1	100	12.1	2.0 ... 4.0	70
IPP50N10S3L-16	SP000407118	IPP50N10S3L16AKSA1	PG-TO220-3-1	100	15.4	1.2 ... 2.4	50
■ IPP70N10SL-16	SP000225708	IPP70N10SL16AKSA1	PG-TO220-3-1	100	16	1.2 ... 2.0	70
■ IPP47N10SL-26	SP000225707	IPP47N10SL26AKSA1	PG-TO220-3-1	100	26	1.2 ... 2.0	47
■ IPP47N10S-33	SP000225706	IPP47N10S33AKSA1	PG-TO220-3-1	100	33	2.1 ... 4.0	47

250V

IPB64N25S3-20	SP000876596	IPB64N25S320ATMA1	PG-TO263-3-2	250	20	2.0 ... 4.0	64
IPB17N25S3-100	SP000876560	IPB17N25S3100ATMA1	PG-TO263-3-2	250	100	2.0 ... 4.0	17
IPD5N25S3-430	SP000876584	IPD5N25S3430ATMA1	PG-TO252-3-313	250	430	2.0 ... 4.0	5
▼ IPP17N25S3-100	SP001025116	IPP17N25S3100AKSA1	PG-TO220-3-1	250	100	2.0 ... 4.0	17

SMD = Surface Mounted Device

Type	Ordering Code	Orderable Part Number	Package	Data			
				V_{DS}	$R_{DS(on) max}$	$V_{GS(th)}$	I_D
				V	mΩ	V	A

Automotive N-Channel MOSFETs**600V**

■ IPB60R099CPA	SP000315443	IPB60R099CPAATMA1	PG-TO263-3-2	600	105	2.5 ... 3.5	31
■ IPB60R199CPA	SP000539966	IPB60R199CPAATMA1	PG-TO263-3-2	600	199	2.5 ... 3.5	16
■ IPB60R299CPA	SP000539970	IPB60R299CPAATMA1	PG-TO263-3-2	600	299	2.5 ... 3.5	11
■ IPI60R099CPA	SP000315454	IPI60R099CPAAKSA1	PG-TO262-3-1	600	105	2.5 ... 3.5	31
■ IPP60R099CPA	SP000315418	IPP60R099CPAAKSA1	PG-TO220-3-1	600	105	2.5 ... 3.5	31
■ IPW60R045CPA	SP000539772	IPW60R045CPAFKSA1	PG-TO-247-3-41	600	45	2.5 ... 3.5	60
▼ IPW60R099CPA	SP000597860	IPW60R099CPAFKSA1	PG-TO-247-3-41	600	105	2.5 ... 3.5	31

650V

IPB65R110CFDA	SP000896402	IPB65R110CFDAATMA1	D ² PAK	650	110	3.5... 4.5	31.2
IPB65R150CFDA	SP000928270	IPB65R150CFDAATMA1	D ² PAK	650	150	3.5... 4.5	22.4
IPB65R190CFDA	SP000928264	IPB65R190CFDAATMA1	D ² PAK	650	190	3.5... 4.5	17.5
IPB65R310CFDA	SP000879440	IPB65R310CFDAATMA1	D ² PAK	650	310	3.5... 4.5	11.4
IPB65R660CFDA	SP000875794	IPB65R660CFDAATMA1	D ² PAK	650	660	3.5... 4.5	6.0
IPD65R420CFDA	SP000928262	IPD65R420CFDAATMA1	DDPAK	650	420	3.5... 4.5	8.7
IPD65R660CFDA	SP000928260	IPD65R660CFDAATMA1	DDPAK	650	660	3.5... 4.5	6.0
IPP65R110CFDA	SP000895234	IPP65R110CFDAAKSA1	TO-220	650	110	3.5... 4.5	31.2
IPP65R150CFDA	SP000928272	IPP65R150CFDAAKSA1	TO-220	650	150	3.5... 4.5	22.4
IPP65R190CFDA	SP000928266	IPP65R190CFDAAKSA1	TO-220	650	190	3.5... 4.5	17.5
IPP65R310CFDA	SP000879438	IPP65R310CFDAAKSA1	TO-220	650	310	3.5... 4.5	11.4
IPP65R660CFDA	SP000875802	IPP65R660CFDAAKSA1	TO-220	650	660	3.5... 4.5	6.0
IPW65R048CFDA	SP000895318	IPW65R048CFDAFKSA1	TO-247	650	48	3.5... 4.5	63.3
IPW65R080CFDA	SP000875806	IPW65R080CFDAFKSA1	TO-247	650	80	3.5... 4.5	43.3
IPW65R110CFDA	SP000895236	IPW65R110CFDAFKSA1	TO-247	650	110	3.5... 4.5	31.2
IPW65R150CFDA	SP000928274	IPW65R150CFDAFKSA1	TO-247	650	150	3.5... 4.5	22.4
IPW65R190CFDA	SP000928268	IPW65R190CFDAFKSA1	TO-247	650	190	3.5... 4.5	17.5
IPW65R310CFDA	SP000879444	IPW65R310CFDAFKSA1	TO-247	650	310	3.5... 4.5	11.4

SMD = Surface Mounted Device

Power Semiconductors

Type	Ordering Code	Orderable Part Number	Package	Data			
				V_{DS}	$R_{DS(on)max}$	$V_{GS(th)}$	I_D
				V	mΩ	V	A

Automotive P-Channel MOSFETs

40V

IPB180P04P4L-02	SP000709460	IPB180P04P4L02ATMA1	PG-TO263-7-3	-40	2.4	-1.2 ... -2.2	-180
IPB180P04P4-03	SP000840202	IPB180P04P403ATMA1	PG-TO263-7-3	-40	2.8	-2.0 ... -4.0	-180
IPB120P04P4L-03	SP000842284	IPB120P04P4L03ATMA1	PG-TO263-3-2	-40	3.1	-1.2 ... -2.2	-120
IPB120P04P4-04	SP000842270	IPB120P04P404ATMA1	PG-TO263-3-2	-40	3.5	-2.0 ... -4.0	-120
IPB80P04P4L-04	SP000840196	IPB80P04P4L04ATMA1	PG-TO263-3-2	-40	4.4	-1.2 ... -2.2	-80
IPB80P04P4-05	SP000652618	IPB80P04P405ATMA1	PG-TO263-3-2	-40	4.9	-2.0 ... -4.0	-80
IPB80P04P4L-06	SP000842046	IPB80P04P4L06ATMA1	PG-TO263-3-2	-40	6.4	-1.2 ... -2.2	-80
IPB80P04P4-07	SP000842038	IPB80P04P407ATMA1	PG-TO263-3-2	-40	7.4	-2.0 ... -4.0	-80
IPB80P04P4L-08	SP000840208	IPB80P04P4L08ATMA1	PG-TO263-3-2	-40	7.9	-1.2 ... -2.2	-80
IPB70P04P4-09	SP000735964	IPB70P04P409ATMA1	PG-TO263-3-2	-40	9.1	-2.0 ... -4.0	-70
IPD90P04P4L-04	SP000840194	IPD90P04P4L04ATMA1	PG-TO252-3-313	-40	4.3	-1.2 ... -2.2	-90
▼ IPD90P04P4-05	SP000671164	IPD90P04P405ATMA1	PG-TO252-3-11	-40	4.7	-2.0 ... -4.0	-90
IPD90P04P4-05	SP001004240	IPD90P04P405AUMA1	PG-TO252-3-11	-40	4.7	-2.0 ... -4.0	-90
IPD85P04P4L-06	SP000842056	IPD85P04P4L06ATMA1	PG-TO252-3-313	-40	6.4	-1.2 ... -2.2	-85
IPD85P04P4-07	SP000842066	IPD85P04P407ATMA1	PG-TO252-3-313	-40	7.3	-2.0 ... -4.0	-85
IPD70P04P4L-08	SP000840206	IPD70P04P4L08ATMA1	PG-TO252-3-313	-40	7.8	-1.2 ... -2.2	-70
IPD70P04P4-09	SP000709326	IPD70P04P409ATMA1	PG-TO252-3-11	-40	8.9	-2.0 ... -4.0	-73
IPD50P04P4L-11	SP000671156	IPD50P04P4L11ATMA1	PG-TO252-3-313	-40	10.6	-1.2 ... -2.2	-50
IPD50P04P4-13	SP000840204	IPD50P04P413ATMA1	PG-TO252-3-313	-40	12.6	-2.0 ... -4.0	-50
IPI120P04P4L-03	SP000842296	IPI120P04P4L03AKSA1	PG-TO262-3-1	-40	3.1	-1.2 ... -2.2	-120
IPI120P04P4-04	SP000842274	IPI120P04P404AKSA1	PG-TO262-3-1	-40	3.5	-2.0 ... -4.0	-120
IPI80P04P4L-04	SP000840198	IPI80P04P4L04AKSA1	PG-TO262-3-1	-40	4.4	-1.2 ... -2.2	-80
IPI80P04P4-05	SP000652620	IPI80P04P405AKSA1	PG-TO262-3-1	-40	4.9	-2.0 ... -4.0	-80
IPI80P04P4L-06	SP000842050	IPI80P04P4L06AKSA1	PG-TO262-3-1	-40	6.4	-1.2 ... -2.2	-80
IPI80P04P4-07	SP000842042	IPI80P04P407AKSA1	PG-TO262-3-1	-40	7.4	-2.0 ... -4.0	-80
IPI80P04P4L-08	SP000840210	IPI80P04P4L08AKSA1	PG-TO262-3-1	-40	7.9	-1.2 ... -2.2	-80
IPI70P04P4-09	SP000735974	IPI70P04P409AKSA1	PG-TO262-3-1	-40	9.1	-2.0 ... -4.0	-70
IPP120P04P4L-03	SP000842300	IPP120P04P4L03AKSA1	PG-TO220-3-1	-40	3.1	-1.2 ... -2.2	-120
IPP120P04P4-04	SP000842278	IPP120P04P404AKSA1	PG-TO220-3-1	-40	3.5	-2.0 ... -4.0	-120
IPP80P04P4L-04	SP000840200	IPP80P04P4L04AKSA1	PG-TO220-3-1	-40	4.4	-1.2 ... -2.2	-80
IPP80P04P4-05	SP000652622	IPP80P04P405AKSA1	PG-TO220-3-1	-40	4.9	-2.0 ... -4.0	-80
IPP80P04P4L-06	SP000842052	IPP80P04P4L06AKSA1	PG-TO220-3-1	-40	6.4	-1.2 ... -2.2	-80
IPP80P04P4-07	SP000842044	IPP80P04P407AKSA1	PG-TO220-3-1	-40	7.4	-2.0 ... -4.0	-80
IPP80P04P4L-08	SP000840212	IPP80P04P4L08AKSA1	PG-TO220-3-1	-40	7.9	-1.2 ... -2.2	-80
IPP70P04P4-09	SP000735978	IPP70P04P409AKSA1	PG-TO220-3-1	-40	9.1	-2.0 ... -4.0	-70

SMD = Surface Mounted Device

Type	Ordering Code	Orderable Part Number	Package	Data			
				V_{DS} V	$R_{DS(on) max}$ mΩ	$V_{GS(th)}$ V	I_D A

Automotive P-Channel MOSFETs**30V**

IPB80P03P4L-04	SP000396284	IPB80P03P4L04ATMA1	PG-TO263-3-2	-30	4.1	-1.0 ... -2.0	-80
IPB80P03P4-05	SP000396282	IPB80P03P405ATMA1	PG-TO263-3-2	-30	4.7	-2.0 ... -4.0	-80
IPB80P03P4L-07	SP000396288	IPB80P03P4L07ATMA1	PG-TO263-3-2	-30	6.9	-1.0 ... -2.0	-80
IPB45P03P4L-11	SP000396276	IPB45P03P4L11ATMA1	PG-TO263-3-2	-30	10.8	-1.0 ... -2.0	-45
IPD90P03P4L-04	SP000396300	IPD90P03P4L04ATMA1	PG-TO252-3-11	-30	4.1	-1.0 ... -2.0	-90
IPD90P03P4-04	SP000396298	IPD90P03P404ATMA1	PG-TO252-3-11	-30	4.5	-2.0 ... -4.0	-90
IPD80P03P4L-07	SP000396296	IPD80P03P4L07ATMA1	PG-TO252-3-11	-30	6.9	-1.0 ... -2.0	-80
IPD50P03P4L-11	SP000396290	IPD50P03P4L11ATMA1	PG-TO252-3-11	-30	10.5	-1.0 ... -2.0	-50
IPI80P03P4-05	SP000396316	IPI80P03P405AKSA1	PG-TO262-3-1	-30	4.7	-2.0 ... -4.0	-80
IPI45P03P4L-11	SP000396310	IPI45P03P4L11AKSA1	PG-TO262-3-1	-30	10.8	-1.2 ... -2.2	-45
IPI80P03P4-04	SP000396318	IPI80P03P4L04AKSA1	PG-TO262-3-1	-30	4.1	-1.0 ... -2.0	-80
IPI80P03P4-07	SP000396320	IPI80P03P4L07AKSA1	PG-TO262-3-1	-30	6.9	-1.0 ... -2.0	-80
IPP80P03P4-04	SP000396390	IPP80P03P4L04AKSA1	PG-TO220-3-1	-30	4.1	-1.0 ... -2.0	-80
IPP80P03P4-05	SP000396388	IPP80P03P405AKSA1	PG-TO220-3-1	-30	4.7	-2.0 ... -4.0	-80
IPP80P03P4-07	SP000396392	IPP80P03P4L07AKSA1	PG-TO220-3-1	-30	6.9	-1.0 ... -2.0	-80
IPP45P03P4L-11	SP000396382	IPP45P03P4L11AKSA1	PG-TO220-3-1	-30	10.8	-1.0 ... -2.0	-45

SMD = Surface Mounted Device

Power Semiconductors

Type	Ordering Code	Orderable Part Number	Package	Data			
				V_{DS}	$R_{DS(on)max}$	$V_{GS(th)}$	I_D
				V	mΩ	V	A

N-Channel MOSFETs

20V

BSD214SN	SP000917656	BSD214SNH6327XTSA1	SOT363	20	140	0.7 ... 1.2	1.5
BSD816SN	SP000464868	BSD816SNL6327HTSA1	SOT363	20	160	0.3 ... 0.95	1.4
BSD816SN	SP000917670	BSD816SNH6327XTSA1	SOT363	20	160	0.3 ... 0.95	1.4
BSD235N	SP000917652	BSD235NH6327XTSA1	SOT363 dual	20	350	0.7 ... 1.2	0.95
BSD840N	SP000917654	BSD840NH6327XTSA1	SOT363 dual	20	400	0.7 ... 1.2	0.95
BSC019N02KS G	SP000307376	BSC019N02KSGAUMA1	SuperSO8	20	1.95	0.3 ... 0.75	0.88
BSC026N02KS G	SP000379664	BSC026N02KSGAUMA1	SuperSO8	20	2.6	0.7 ... 1.2	100
BSC046N02KS G	SP000379666	BSC046N02KSGAUMA1	SuperSO8	20	4.6	0.7 ... 1.2	80
BSR202N	SP000257784	BSR202NL6327HTSA1	SC59	20	21	0.7 ... 1.2	3.1
BSR802N	SP000442484	BSR802NL6327HTSA1	SC59	20	23	0.3 ... 0.75	3.7
▼ BSL802SN	SP001101012	BSL802SNH6327XTSA1	TSOP6	20	22	0.3 ... 0.75	7.5
▼ BSL202SN	SP001100644	BSL202SNH6327XTSA1	TSOP6	20	36	0.7 ... 1.2	7.5
▼ BSL205N	SP001100646	BSL205NH6327XTSA1	TSOP6 dual	20	50	0.6 ... 1.2	2.5
▼ BSL207N	SP001100648	BSL207NH6327XTSA1	TSOP6 dual	20	70	0.7 ... 1.2	2.1
▼ BSL214N	SP001100658	BSL214NH6327XTSA1	TSOP6 dual	20	140	0.7 ... 1.2	1.5
BSO330N02K G	SP000380284	BSO330N02KGFUMA1	SO-8	20	30	0.7 ... 1.2	5.4
BSS205N	SP000929180	BSS205NH6327XTSA1	SOT23	20	50	0.7 ... 1.2	2.5
▼ BSS806NE	SP000999336	BSS806NEH6327XTSA1	SOT23	20	57	0.3 ... 0.75	2.3
BSS806N	SP000928952	BSS806NH6327XTSA1	SOT23	20	57	0.3 ... 0.75	2.3
BSS214N	SP000928936	BSS214NH6327XTSA1	SOT23	20	140	0.7 ... 1.2	1.5
BSS214NW	SP000917560	BSS214NWH6327XTSA1	SOT323	20	140	0.7 ... 1.2	1.5
BSS816NW	SP000917562	BSS816NWH6327XTSA1	SOT323	20	160	0.3 ... 0.75	1.4

25V

BSB008NE2LX	SP000880866	BSB008NE2LXXUMA1	CanPAK™ M-size	25	0.8	1.2 ... 2.0	180
BSB012NE2LX	SP000756344	BSB012NE2LXXUMA1	CanPAK™ M-size	25	1.2	1.2 ... 2.0	180
BSB012NE2LXI	SP001034232	BSB012NE2LXIXUMA1	CanPAK™ M-size	25	1.2	1.2 ... 2.0	180
BSB013NE2LXI	SP000756346	BSB013NE2LXIXUMA1	CanPAK™ M-size	25	1.3	1.2 ... 2.0	163
BSC009NE2LS	SP000893362	BSC009NE2LSATMA1	SuperSO8	25	0.9	1.2 ... 2.0	100
BSC010NE2LS	SP000776124	BSC010NE2LSATMA1	SuperSO8	25	1.0	1.2 ... 2.0	100
BSC010NE2LSI	SP000854376	BSC010NE2LSIATMA1	SuperSO8	25	1.05	1.2 ... 2.0	100
BSC014NE2LSI	SP000911336	BSC014NE2LSIATMA1	SuperSO8	25	1.4	1.2 ... 2.0	100
BSC018NE2LS	SP000756336	BSC018NE2LSATMA1	SuperSO8	25	1.8	1.2 ... 2.0	100
BSC018NE2LSI	SP000906030	BSC018NE2LSIATMA1	SuperSO8	25	1.8	1.2 ... 2.0	100
BSC024NE2LS	SP000756342	BSC024NE2LSATMA1	SuperSO8	25	2.4	1.2 ... 2.0	100
BSC032NE2LS	SP000854378	BSC032NE2LSATMA1	SuperSO8	25	3.2	1.2 ... 2.0	84
BSC050NE2LS	SP000756340	BSC050NE2LSATMA1	SuperSO8	25	5.0	1.2 ... 2.0	58
BSC0911ND	SP000934746	BSC0911NDATMA1	PowerStage 5x6	25	3.2/1.2	1.2 ... 2.0	40
BSF030NE2LQ	SP000756348	BSF030NE2LQXUMA1	CanPAK™ S-size	25	3.0	1.2 ... 2.0	75
BSF035NE2LQ	SP001034234	BSF035NE2LQXUMA1	CanPAK™ S-size	25	3.5	1.2 ... 2.0	69
▼ BSN011NE2LS	SP001074736	BSN011NE2LSXUSA1	Blade 3x3	25	1.1	1.2 ... 2.0	50
▼ BSN011NE2LSI	SP001074738	BSN011NE2LSIXUSA1	Blade 3x3	25	1.1	1.2 ... 2.0	50
▼ BSN045NE2LS	SP001074744	BSN045NE2LSXUSA1	Blade 3x3	25	4.5	1.2 ... 2.0	50
BSZ018NE2LS	SP000756338	BSZ018NE2LSATMA1	S3O8	25	1.8	1.2 ... 2.0	40
BSZ018NE2LSI	SP000906032	BSZ018NE2LSIATMA1	S3O8	25	1.8	1.2 ... 2.0	40
BSZ036NE2LS	SP000854572	BSZ036NE2LSATMA1	S3O8	25	3.6	1.2 ... 2.0	40
BSZ060NE2LS	SP000776122	BSZ060NE2LSATMA1	S3O8	25	6.0	1.2 ... 2.0	40

SMD = Surface Mounted Device

Type	Ordering Code	Orderable Part Number	Package	Data			
				V_{DS} V	$R_{DS(on)max}$ mΩ	$V_{GS(th)}$ V	I_D A

N-Channel MOSFETs

30V

BSB012N03LX3 G	SP000597846	BSB012N03LX3GXUMA1	CanPAK™ M-size	30	1.2	1.0 ... 2.2	180
BSB017N03LX3 G	SP000604468	BSB017N03LX3GXUMA1	CanPAK™ M-size	30	1.7	1.0 ... 2.2	147
BSC011N03LS	SP000799082	BSC011N03LSATMA1	SuperSO8	30	1.1	1.0 ... 2.2	100
BSC011N03LSI	SP000884574	BSC011N03LSIATMA1	SuperSO8	30	1.1	1.2 ... 2.0	100
BSC014N03LS G	SP000394677	BSC014N03LSGATMA1	SuperSO8	30	1.4	1.2 ... 2.0	100
■ BSC016N03LS G	SP000237663	BSC016N03LSGATMA1	SuperSO8	30	1.6	1.0 ... 2.2	100
BSC0901NS	SP000800248	BSC0901NSATMA1	SuperSO8	30	1.9	1.0 ... 2.2	100
BSC0901NSI	SP000819818	BSC0901NSIATMA1	SuperSO8	30	2.0	1.0 ... 2.2	100
■ BSC020N03LS G	SP000237662	BSC020N03LSGATMA1	SuperSO8	30	2.0	1.0 ... 2.2	100
▼ BSC020N03LS G	SP000959514	BSC020N03LSGATMA2	SuperSO8	30	2.0	1.0 ... 2.2	100
BSC025N03LS G	SP000269781	BSC025N03LSGATMA1	SuperSO8	30	2.5	1.0 ... 2.2	100
BSC0902NS	SP000800246	BSC0902NSATMA1	SuperSO8	30	2.6	1.0 ... 2.2	100
BSC0902NSI	SP000854380	BSC0902NSIATMA1	SuperSO8	30	2.8	1.2 ... 2.0	100
BSC030N03LS G	SP000237661	BSC030N03LSGATMA1	SuperSO8	30	3.0	1.0 ... 2.2	100
BSC034N03LS G	SP000475948	BSC034N03LSGATMA1	SuperSO8	30	3.4	1.0 ... 2.2	100
BSC0904NSI	SP000854384	BSC0904NSIATMA1	SuperSO8	30	3.7	1.0 ... 2.2	78
BSC042N03LS G	SP000302864	BSC042N03LSGATMA1	SuperSO8	30	4.2	1.0 ... 2.2	93
BSC0906NS	SP000893360	BSC0906NSATMA1	SuperSO8	30	4.5	1.0 ... 2.2	63
BSC050N03LS G	SP000269785	BSC050N03LSGATMA1	SuperSO8	30	5.0	1.0 ... 2.2	79
BSC052N03LS	SP000807602	BSC052N03LSATMA1	SuperSO8	30	5.2	1.0 ... 2.2	57
BSC057N03LS G	SP000275113	BSC057N03LSGATMA1	SuperSO8	30	5.7	1.0 ... 2.2	71
BSC072N03LD G	SP000359607	BSC072N03LDGATMA1	SuperSO8 dual	30	7.2	1.0 ... 2.2	20
BSC079N03LSC G	SP000527424	BSC079N03LSCGATMA1	SuperSO8	30	7.9	1.0 ... 2.2	50
BSC0908NS	SP000847024	BSC0908NSATMA1	SuperSO8	30	8.0	1.0 ... 2.2	49
BSC080N03LS G	SP000275114	BSC080N03LSGATMA1	SuperSO8	30	8.0	1.0 ... 2.2	52
BSC090N03LS G	SP000275115	BSC090N03LSGATMA1	SuperSO8	30	9.0	1.0 ... 2.2	47
BSC0909NS	SP000832576	BSC0909NSATMA1	SuperSO8	30	9.2	1.0 ... 2.2	44
BSC120N03LS G	SP000302848	BSC120N03LSGATMA1	SuperSO8	30	12	1.0 ... 2.2	39
BSC150N03LD G	SP000359362	BSC150N03LDGATMA1	SuperSO8 dual	30	15	1.0 ... 2.2	20
BSC0921NDI	SP000934748	BSC0921NDIATMA1	PowerStage 5x6	30	5.0/1.6	1.2 ... 2.0	40
BSC0923NDI	SP000934758	BSC0923NDIATMA1	PowerStage 5x6	30	5.0/2.8	1.2 ... 2.0	40
BSC0924NDI	SP000934750	BSC0924NDIATMA1	PowerStage 5x6	30	5.0/3.7	1.2 ... 2.0	40
BSC0925ND	SP000934752	BSC0925NDATMA1	PowerStage 5x6	30	5.0	1.2 ... 2.0	40
BSD316SN H6327	SP000917668	BSD316SNH6327XTSA1	SOT363	30	160	1.2 ... 2.0	1.4
BSF024N03LT3 G	SP000616988	BSF024N03LT3GXUMA1	CanPAK™ S-size	30	2.4	1.0 ... 2.2	106
■ BSF045N03LQ3 G	SP000597842	BSF045N03LQ3GXUMA1	CanPAK™ S-size	30	4.5	1.0 ... 2.2	63
BSF050N03LQ3 G	SP000604522	BSF050N03LQ3GXUMA1	CanPAK™ S-size	30	5.0	1.2 ... 2.2	60
▼ BSN012N03LS	SP001074740	BSN012N03LSXUSA1	Blade 3x3	30	1.2	1.2 ... 2.0	50
▼ BSN012N03LSI	SP001074742	BSN012N03LSIXUSA1	Blade 3x3	30	1.2	1.2 ... 2.0	50
▼ BSN048N03LS	SP001074746	BSN048N03LSXUSA1	Blade 3x3	30	4.8	1.2 ... 2.0	50
BSR302N	SP000257785	BSR302NL6327HTSA1	SC59	30	23	1.2 ... 2.0	3.7
BSS306N	SP000928940	BSS306NH6327XTSA1	SOT23	30	57	1.2 ... 2.0	2.3
BSS316N	SP000928948	BSS316NH6327XTSA1	SOT23	30	160	1.2 ... 2.0	1.4
BSZ019N03LS	SP000792362	BSZ019N03LSATMA1	S3O8	30	1.9	1.0 ... 2.2	40
BSZ0901NS	SP000854570	BSZ0901NSATMA1	S3O8 (fused leads)	30	2.0	1.0 ... 2.2	40
BSZ0901NSI	SP000853566	BSZ0901NSIATMA1	S3O8 (fused leads)	30	2.1	1.0 ... 2.2	40
BSZ0902NS	SP000854386	BSZ0902NSATMA1	S3O8 (fused leads)	30	2.6	1.0 ... 2.2	40
BSZ0902NSI	SP000854388	BSZ0902NSIATMA1	S3O8 (fused leads)	30	2.8	1.0 ... 2.2	40
■ BSZ035N03LS G	SP000278809	BSZ035N03LSGATMA1	S3O8	30	3.5	1.0 ... 2.2	40

SMD = Surface Mounted Device

Power Semiconductors

Type	Ordering Code	Orderable Part Number	Package	Data			
				V_{DS}	$R_{DS(on)max}$	$V_{GS(th)}$	I_D
				V	mΩ	V	A

N-Channel MOSFETs

30V (cont')

BSZ0904NSI	SP000854390	BSZ0904NSIATMA1	S3O8 (fused leads)	30	4.0	1.0 ... 2.2	40
BSZ050N03LS G	SP000304139	BSZ050N03LSGATMA1	S3O8	30	5.0	1.0 ... 2.2	40
BSZ058N03LS G	SP000307424	BSZ058N03LSGATMA1	S3O8	30	5.8	1.0 ... 2.2	40
BSZ065N03LS	SP000799084	BSZ065N03LSATMA1	S3O8 (fused leads)	30	6.5	1.0 ... 2.2	40
BSZ088N03LS G	SP000304138	BSZ088N03LSGATMA1	S3O8	30	8.8	1.0 ... 2.2	40
BSZ100N03LS G	SP000304135	BSZ100N03LSGATMA1	S3O8	30	10.0	1.0 ... 2.2	40
BSZ0909NS	SP000832568	BSZ0909NSATMA1	S3O8	30	12.0	1.0 ... 2.2	36
BSZ130N03LS G	SP000278810	BSZ130N03LSGATMA1	S3O8	30	13.0	1.0 ... 2.2	35
BSZ0907ND	SP000865186	BSZ0907NDXTMA1	PowerStage 3x3	30	9.5/7.2	1.2 ... 2.0	25/30
BSZ0908ND	SP000865176	BSZ0908NDXTMA1	PowerStage 3x3	30	18.0/9.0	1.2 ... 2.0	19/30
IPB009N03L G	SP000394657	IPB009N03LGATMA1	D ² PAK 7pin	30	0.95	1.0 ... 2.2	180
IPB034N03L G	SP000304126	IPB034N03LGATMA1	D ² PAK	30	3.4	1.2 ... 2.0	80
IPB042N03L G	SP000304124	IPB042N03LGATMA1	D ² PAK	30	4.2	1.2 ... 2.0	70
IPB055N03L G	SP000304110	IPB055N03LGATMA1	D ² PAK	30	5.5	1.2 ... 2.2	50
IPB065N03L G	SP000254709	IPB065N03LGATMA1	D ² PAK	30	6.5	1.2 ... 2.2	50
IPB080N03L G	SP000304104	IPB080N03LGATMA1	D ² PAK	30	8.0	1.2 ... 2.2	50
IPB096N03L G	SP000254711	IPB096N03LGATMA1	D ² PAK	30	9.6	1.2 ... 2.2	35
IPB147N03L G	SP000254712	IPB147N03LGATMA1	D ² PAK	30	14.7	1.2 ... 2.0	30
IPD031N03L G	SP000680554	IPD031N03LGATMA1	DPAK	30	3.1	1.0 ... 2.2	90
IPD040N03L G	SP000680628	IPD040N03LGATMA1	DPAK	30	4.0	1.0 ... 2.0	90
IPD050N03L G	SP000680630	IPD050N03LGATMA1	DPAK	30	5.0	1.0 ... 2.0	50
IPD060N03L G	SP000680632	IPD060N03LGATMA1	DPAK	30	6.0	1.0 ... 2.2	50
IPD075N03L G	SP000680634	IPD075N03LGATMA1	DPAK	30	7.5	1.0 ... 2.2	50
IPD090N03L G	SP000680636	IPD090N03LGATMA1	DPAK	30	9.0	1.0 ... 2.2	40
IPD105N03L G	SP000254717	IPD105N03LGBTMA1	DPAK	30	10.5	1.0 ... 2.2	35
IPD105N03L G	SP000796910	IPD105N03LGATMA1	DPAK	30	10.5	1.0 ... 2.2	35
IPD135N03L G	SP000236951	IPD135N03LGBTMA1	DPAK	30	13.5	1.0 ... 2.2	30
IPD135N03L G	SP000796912	IPD135N03LGATMA1	DPAK	30	13.5	1.0 ... 2.2	30
IPP034N03L G	SP000680772	IPP034N03LGXKSA1	TO-220	30	3.4	1.0 ... 2.2	80
IPP042N03L G	SP000680792	IPP042N03LGXKSA1	TO-220	30	4.2	1.2 ... 2.2	80
IPP055N03L G	SP000680806	IPP055N03LGXKSA1	TO-220	30	5.5	1.2 ... 2.2	50
IPP065N03L G	SP000680818	IPP065N03LGXKSA1	TO-220	30	6.5	1.0 ... 2.2	50
■ IPP080N03L G	SP000264166	IPP080N03LGHKSA1	TO-220	30	8.0	1.2 ... 2.2	50
■ IPP096N03L G	SP000254737	IPP096N03LGHKSA1	TO-220	30	9.6	1.0 ... 2.2	35
■ IPP114N03L G	SP000264168	IPP114N03LGHKSA1	TO-220	30	11.4	1.0 ... 2.2	30
IPP147N03L G	SP000266315	IPP147N03LGHKSA1	TO-220	30	14.7	1.0 ... 2.2	20
▼ IPS031N03L G	SP000788214	IPS031N03LGAKMA1	IPAK SL	30	3.1	1.0 ... 2.2	90
IPS040N03L G	SP000810846	IPS040N03LGAKMA1	IPAK SL	30	4.0	1.0 ... 2.2	90
IPS050N03L G	SP000810848	IPS050N03LGAKMA1	IPAK SL	30	5.0	1.0 ... 2.2	50
IPS060N03L G	SP000705724	IPS060N03LGAKMA1	IPAK SL	30	6.0	1.0 ... 2.2	50
IPS075N03L G	SP000705726	IPS075N03LGAKMA1	IPAK SL	30	7.5	1.0 ... 2.2	50
IPS090N03L G	SP000788216	IPS090N03LGAKMA1	IPAK SL	30	9.0	1.0 ... 2.2	40
IPS105N03L G	SP000788218	IPS105N03LGAKMA1	IPAK SL	30	10.5	1.0 ... 2.2	35
IPS135N03L G	SP000788220	IPS135N03LGAKMA1	IPAK SL	30	13.5	1.0 ... 2.2	30

SMD = Surface Mounted Device

Type	Ordering Code	Orderable Part Number	Package	Data			
				V_{DS}	$R_{DS(on) max}$	$V_{GS(th)}$	I_D
				V	mΩ	V	A

N-Channel MOSFETs

Mobile Series, Gate Charge @ 4.5V
30V

BSC014N03MS G	SP000394681	BSC014N03MSGATMA1	SuperSO8	30	1.4	1.0 ... 2.0	100
BSC016N03MS G	SP000311502	BSC016N03MSGATMA1	SuperSO8	30	1.6	1.0 ... 2.0	100
BSC020N03MS G	SP000311503	BSC020N03MSGATMA1	SuperSO8	30	2.0	1.0 ... 2.0	100
BSC025N03MS G	SP000311505	BSC025N03MSGATMA1	SuperSO8	30	2.5	1.0 ... 2.0	100
BSC030N03MS G	SP000311506	BSC030N03MSGATMA1	SuperSO8	30	3.0	1.0 ... 2.0	100
BSC042N03MS G	SP000311512	BSC042N03MSGATMA1	SuperSO8	30	4.2	1.0 ... 2.0	93
BSC050N03MS G	SP000311507	BSC050N03MSGATMA1	SuperSO8	30	5.0	1.0 ... 2.0	80
BSC057N03MS G	SP000311513	BSC057N03MSGATMA1	SuperSO8	30	5.7	1.0 ... 2.0	71
BSC080N03MS G	SP000311514	BSC080N03MSGATMA1	SuperSO8	30	8.0	1.0 ... 2.0	53
BSC090N03MS G	SP000313120	BSC090N03MSGATMA1	SuperSO8	30	9.0	1.0 ... 2.0	48
BSC091N03MSC G	SP000527416	BSC091N03MSCGATMA1	SuperSO8	30	9.1	1.0 ... 2.2	44
BSC100N03MS G	SP000311515	BSC100N03MSGATMA1	SuperSO8	30	10	1.0 ... 2.0	44
BSC120N03MS G	SP000311516	BSC120N03MSGATMA1	SuperSO8	30	12	1.0 ... 2.0	39
BSO033N03MS G	SP000446072	BSO033N03MSGXUMA1	SO-8	30	3.3	1.0 ... 2.0	17
BSO040N03MS G	SP000446070	BSO040N03MSGXUMA1	SO-8	30	4	1.0 ... 2.0	16
■ BSO083N03MS G	SP000446064	BSO083N03MSGXUMA1	SO-8	30	8.3	1.0 ... 2.0	11
BSO110N03MS G	SP000446062	BSO110N03MSGXUMA1	SO-8	30	11	1.0 ... 2.0	12.1
BSO150N03MD G	SP000447476	BSO150N03MDGXUMA1	SO-8 dual	30	15	1.2 ... 2.0	9.3
BSO220N03MD G	SP000447478	BSO220N03MDGXUMA1	SO-8 dual	30	22	1.0 ... 2.1	7.0
BSZ035N03MS G	SP000311511	BSZ035N03MSGATMA1	S3O8	30	3.5	1.0 ... 2.0	40
BSZ050N03MS G	SP000311518	BSZ050N03MSGATMA1	S3O8	30	5	1.0 ... 2.0	40
BSZ058N03MS G	SP000311508	BSZ058N03MSGATMA1	S3O8	30	5.8	1.0 ... 2.0	40
BSZ088N03MS G	SP000311509	BSZ088N03MSGATMA1	S3O8	30	8.8	1.0 ... 2.0	40
BSZ100N03MS G	SP000311510	BSZ100N03MSGATMA1	S3O8	30	10	1.0 ... 2.0	40
BSZ130N03MS G	SP000313122	BSZ130N03MSGATMA1	S3O8	30	13	1.0 ... 2.0	35

SMD = Surface Mounted Device

Power Semiconductors

Type	Ordering Code	Orderable Part Number	Package	Data			
				V_{DS}	$R_{DS(on)max}$	$V_{GS(th)}$	I_D
				V	$m\Omega$	V	A

N-Channel MOSFETs

40V

BSB014N04LX3 G	SP000597850	BSB014N04LX3GXUMA1	CanPAK™ M-size	40	1.4	2.0 ... 4.0	180
BSB015N04NX3 G	SP000597852	BSB015N04NX3GXUMA1	CanPAK™ M-size	40	1.5	2.0 ... 4.0	180
BSC010N04LS	SP000928282	BSC010N04LSATMA1	SuperSO8	40	1.0	1.2 ... 2.0	100
▼ BSC010N04LSI	SP000953210	BSC010N04LSIATMA1	SuperSO8	40	1.05	1.2 ... 2.0	100
BSC014N04LS	SP000871196	BSC014N04LSATMA1	SuperSO8	40	1.4	1.2 ... 2.0	100
▼ BSC014N04LSI	SP000953212	BSC014N04LSIATMA1	SuperSO8	40	1.45	1.2 ... 2.0	100
BSC016N04LS G	SP000394801	BSC016N04LSGATMA1	SuperSO8	40	1.6	1.2 ... 2.0	100
BSC017N04NS G	SP000394684	BSC017N04NSGATMA1	SuperSO8	40	1.7	2.0 ... 4.0	100
BSC018N04LS G	SP000388293	BSC018N04LSGATMA1	SuperSO8	40	1.8	1.2 ... 2.0	100
BSC019N04NS G	SP000388299	BSC019N04NSGATMA1	SuperSO8	40	1.9	2.0 ... 4.0	100
▼ BSC019N04LS	SP001067012	BSC019N04LSATMA1	SuperSO8	40	1.9	1.2 ... 2.0	100
▼ BSC022N04LS	SP001059844	BSC022N04LSATMA1	SuperSO8	40	2.2	1.2 ... 2.0	100
▼ BSC026N04LS	SP001067014	BSC026N04LSATMA1	SuperSO8	40	2.6	1.2 ... 2.0	100
BSC027N04LS G	SP000354810	BSC027N04LSGATMA1	SuperSO8	40	2.7	1.2 ... 2.0	100
BSC030N04NS G	SP000354811	BSC030N04NSGATMA1	SuperSO8	40	3.0	2.0 ... 4.0	100
▼ BSC032N04LS	SP001067018	BSC032N04LSATMA1	SuperSO8	40	3.2	1.2 ... 2.0	98
BSC035N04LS G	SP000391503	BSC035N04LSGATMA1	SuperSO8	40	3.5	1.2 ... 2.0	100
BSC050N04LS G	SP000354806	BSC050N04LSGATMA1	SuperSO8	40	5.0	1.2 ... 2.0	85
BSC054N04NS G	SP000354808	BSC054N04NSGATMA1	SuperSO8	40	5.4	2.0 ... 4.0	81
BSC059N04LS G	SP000391499	BSC059N04LSGATMA1	SuperSO8	40	5.9	1.2 ... 2.0	73
BSC093N04LS G	SP000387929	BSC093N04LSGATMA1	SuperSO8	40	9.3	1.2 ... 2.0	49
BSZ023N04LS	SP000953208	BSZ023N04LSATMA1	S3O8	40	2.35	1.2 ... 2.0	40
▼ BSZ028N04LS	SP001067016	BSZ028N04LSATMA1	S3O8	40	2.8	1.2 ... 2.0	40
▼ BSZ034N04LS	SP001067020	BSZ034N04LSATMA1	S3O8	40	3.4	1.2 ... 2.0	40
BSZ040N04LS G	SP000388295	BSZ040N04LSGATMA1	S3O8	40	4.0	1.2 ... 2.0	40
BSZ042N04NS G	SP000388300	BSZ042N04NSGATMA1	S3O8	40	4.2	2.0 ... 4.0	40
BSZ097N04LS G	SP000388296	BSZ097N04LSGATMA1	S3O8	40	9.7	1.2 ... 2.0	40
BSZ105N04NS G	SP000388301	BSZ105N04NSGATMA1	S3O8	40	10.5	2.0 ... 4.0	40
BSZ165N04NS G	SP000391523	BSZ165N04NSGATMA1	S3O8	40	16.5	2.0 ... 4.0	31
IPB011N04L G	SP000391498	IPB011N04LGATMA1	D²PAK 7pin	40	1.1	1.2 ... 2.0	180
IPB011N04N G	SP000388298	IPB011N04NGATMA1	D²PAK 7pin	40	1.1	2.0 ... 4.0	180
IPB015N04L G	SP000387948	IPB015N04LGATMA1	D²PAK 7pin	40	1.5	1.2 ... 2.0	120
IPB015N04N G	SP000391522	IPB015N04NGATMA1	D²PAK	40	1.5	2.0 ... 4.0	120
IPB020N04N G	SP000359157	IPB020N04NGATMA1	D²PAK 7pin	40	2.0	2.0 ... 4.0	140
IPD036N04L G	SP000387945	IPD036N04LGBTMA1	DPAK	40	3.6	1.0 ... 2.0	90
IPP015N04N G	SP000680760	IPP015N04NGXKSA1	TO-220	40	1.5	2.0 ... 4.0	120
IPP023N04N G	SP000680762	IPP023N04NGXKSA1	TO-220	40	2.3	2.0 ... 4.0	90
IPP039N04L G	SP000680782	IPP039N04LGXKSA1	TO-220	40	3.9	1.2 ... 2.0	80
IPP041N04N G	SP000680790	IPP041N04NGXKSA1	TO-220	40	4.1	2.0 ... 4.0	80
IPP048N04N G	SP000648308	IPP048N04NGXKSA1	TO-220	40	4.8	2.0 ... 4.0	70
IPP065N04N G	SP000648268	IPP065N04NGXKSA1	TO-220	40	6.5	2.0 ... 4.0	50

55V

BSS670S2L	SP000928950	BSS670S2LH6327XTSA1	SOT23	55	650	1.2 ... 2.0	0.54
-----------	-------------	---------------------	-------	----	-----	-------------	------

SMD = Surface Mounted Device

Type	Ordering Code	Orderable Part Number	Package	Data			
				V_{DS} V	$R_{DS(on)max}$ mΩ	$V_{GS(th)}$ V	I_D A

N-Channel MOSFETs

60V

BSB028N06NN3 G	SP000605956	BSB028N06NN3GXUMA1	CanPAK™ M-size	60	2.8	2.0 ... 4.0	90
BSF110N06NT3 G	SP000973760	BSF110N06NT3GXUMA1	CanPAK™ S-size	60	11	2.0 ... 4.0	47
BSC014N06NS	SP000924886	BSC014N06NSATMA1	SuperSO8	60	1.45	2.8	100
BSC016N06NS	SP000924882	BSC016N06NSATMA1	SuperSO8	60	1.6	2.8	100
BSC028N06LS3 G	SP000453652	BSC028N06LS3GATMA1	SuperSO8	60	2.8	1.2 ... 2.2	100
BSC028N06NS	SP000917416	BSC028N06NSATMA1	SuperSO8	60	2.8	2.8	100
BSC031N06NS3 G	SP000451482	BSC031N06NS3GATMA1	SuperSO8	60	3.1	2.0 ... 4.0	100
▼ BSC034N06NS	SP001067010	BSC034N06NSATMA1	SuperSO8	60	3.4	2.1 ... 3.3	100
BSC039N06NS	SP000985386	BSC039N06NSATMA1	SuperSO8	60	3.9	2.8	100
▼ BSC066N06NS	SP001067000	BSC066N06NSATMA1	SuperSO8	60	6.6	2.1 ... 3.3	64
BSC067N06LS3 G	SP000451084	BSC067N06LS3GATMA1	SuperSO8	60	6.7	1.2 ... 2.2	50
BSC076N06NS3 G	SP000453656	BSC076N06NS3GATMA1	SuperSO8	60	7.6	2.0 ... 4.0	50
▼ BSC097N06NS	SP001067004	BSC097N06NSATMA1	SuperSO8	60	9.7	2.1 ... 3.3	46
BSC100N06LS3 G	SP000453664	BSC100N06LS3GATMA1	SuperSO8	60	10	1.2 ... 2.2	50
BSC110N06NS3 G	SP000453668	BSC110N06NS3GATMA1	SuperSO8	60	11	2.0 ... 4.0	50
▼ BSL606SN	SP000691164	BSL606SNH6327XTSA1	TSOP6	60	60	1.3 ... 2.3	4.5
▼ BSR606N	SP000691160	BSR606NH6327XTSA1	SC59	60	60	1.3 ... 2.3	2.3
▼ BSS606N	SP000691152	BSS606NH6327XTSA1	SOT89	60	60	1.3 ... 2.3	3.2
▼ BSS7728N	SP000702640	BSS7728NH6327XTSA1	SOT23	60	5000	1.3 ... 2.3	0.2
BSZ042N06NS	SP000917418	BSZ042N06NSATMA1	S3O8	60	4.2	2.8	40
BSZ067N06LS3 G	SP000451080	BSZ067N06LS3GATMA1	S3O8	60	6.7	1.2 ... 2.2	20
▼ BSZ068N06NS	SP001067002	BSZ068N06NSATMA1	S3O8	60	6.8	2.1 ... 3.3	40
BSZ076N06LS3 G	SP000454420	BSZ076N06NS3GATMA1	S3O8	60	7.6	2.0 ... 4.0	20
BSZ100N06LS3 G	SP000453672	BSZ100N06LS3GATMA1	S3O8	60	10	1.7 ... 2.2	20
▼ BSZ100N06NS	SP001067006	BSZ100N06NSATMA1	S3O8	60	10	2.1 ... 3.3	40
BSZ110N06NS3 G	SP000453676	BSZ110N06NS3GATMA1	S3O8	60	11	2.0 ... 4.0	20
IPA032N06N3 G	SP000453608	IPA032N06N3GXKSA1	TO-220 FullPAK	60	3.2	2.0 ... 4.0	84
IPA057N06N3 G	SP000457582	IPA057N06N3GXKSA1	TO-220 FullPAK	60	5.7	2.0 ... 4.0	60
IPA093N06N3 G	SP000451088	IPA093N06N3GXKSA1	TO-220 FullPAK	60	9.3	2.0 ... 4.0	43
IPB010N06N	SP000917410	IPB010N06NATMA1	D ² PAK 7pin	60	1.0	1.2 ... 2.2	180
IPB014N06N	SP000917408	IPB014N06NATMA1	D ² PAK 7pin	60	1.4	2.8	180
IPB016N06L3 G	SP000453040	IPB016N06L3GATMA1	D ² PAK 7pin	60	1.6	1.2 ... 2.2	180
IPB017N06N3 G	SP000434404	IPB017N06N3GATMA1	D ² PAK 7pin	60	1.7	2.0 ... 4.0	180
IPB019N06L3 G	SP000453020	IPB019N06L3GATMA1	D ² PAK	60	1.9	1.2 ... 2.2	120
IPB026N06N	SP000962142	IPB026N06NATMA1	D ² PAK	60	2.6	2.8	100
IPB029N06N3 G	SP000453052	IPB029N06N3GATMA1	D ² PAK	60	2.9	2.0 ... 4.0	120
IPB029N06N3 G	SP000939334	IPB029N06N3GE8187ATMA1	D ² PAK	60	2.9	2.0 ... 4.0	120
IPB034N06L3 G	SP000398062	IPB034N06L3GATMA1	D ² PAK	60	3.4	1.2 ... 2.2	90
IPB037N06N3 G	SP000397986	IPB037N06N3GATMA1	D ² PAK	60	3.7	2.0 ... 4.0	90
■ IPB054N06N3 G	SP000446782	IPB054N06N3GATMA1	D ² PAK	60	5.4	2.1 ... 4.0	80
IPB057N06N	SP000962140	IPB057N06NATMA1	D ² PAK	60	5.7	2.8	45
IPB081N06L3 G	SP000398076	IPB081N06L3GATMA1	D ² PAK	60	8.1	1.2 ... 2.2	50
IPB090N06N3 G	SP000398042	IPB090N06N3GATMA1	D ² PAK	60	9.0	2.1 ... 4.0	50
IPD025N06N	SP000988276	IPD025N06NATMA1	DPAK	60	2.5	2.8	90
IPD031N06L3 G	SP000451076	IPD031N06L3GATMA1	DPAK	60	3.1	1.2 ... 2.2	100
IPD034N06N3 G	SP000451070	IPD034N06N3GATMA1	DPAK	60	3.4	2.0 ... 4.0	100
IPD038N06N3 G	SP000397994	IPD038N06N3GATMA1	DPAK	60	3.8	2.0 ... 4.0	90
IPD048N06L3 G	SP000453334	IPD048N06L3GBTMA1	DPAK	60	4.8	1.2 ... 2.2	90

SMD = Surface Mounted Device

Power Semiconductors

Type	Ordering Code	Orderable Part Number	Package	Data			
				V_{DS}	$R_{DS(on)max}$	$V_{GS(th)}$	I_D
				$m\Omega$	V	A	

N-Channel MOSFETs

60V

(cont'd)

IPD053N06N	SP000962138	IPD053N06NATMA1	DKPAK	60	5.3	2.8	45
IPD079N06L3 G	SP000453626	IPD079N06L3GBTMA1	DKPAK	60	7.9	1.2 ... 2.2	50
IPD088N06N3 G	SP000453620	IPD088N06N3GBTMA1	DKPAK	60	8.8	2.0 ... 4.0	50
■ IPD127N06L G	SP000443740	IPD127N06LGBTMA1	DKPAK	60	12.7	1.2 ... 2.0	50
■ IPD220N06L3 G	SP000453644	IPD220N06L3GBTMA1	DKPAK	60	22	1.2 ... 2.2	30
IPD350N06L G	SP000443746	IPD350N06LGBTMA1	DKPAK	60	35	1.2 ... 2.0	29
IPD400N06L G	SP000443744	IPD400N06NGBTMA1	DKPAK	60	40	2.0 ... 4.0	27
IPD640N06L G	SP000443766	IPD640N06LGBTMA1	DKPAK	60	64	1.2 ... 2.0	18
IPI020N06N	SP000962132	IPI020N06NAKSA1	I ² PAK	60	2.0	2.8	120
IPI024N06N3 G	SP000680644	IPI024N06N3GXKSA1	I ² PAK	60	2.1	2.0 ... 4.0	120
IPI029N06N	SP000962134	IPI029N06NAKSA1	I ² PAK	60	2.9	2.8	100
IPI032N06N3 G	SP000680650	IPI032N06N3GAKSA1	I ² PAK	60	2.9	2.0 ... 4.0	120
IPI040N06N3 G	SP000680656	IPI040N06N3GXKSA1	I ² PAK	60	4.0	2.0 ... 4.0	90
▼ IPI084N06L3 G	SP001065242	IPI084N06L3GXKSA1	I ² PAK	60	8.4	1.2 ... 2.2	50
IPP020N06N	SP000917406	IPP020N06NAKSA1	TO-220	60	2.0	2.8	120
IPP024N06N3 G	SP000680764	IPP024N06N3GXKSA1	TO-220	60	2.4	2.0 ... 4.0	120
IPP029N06N	SP000917404	IPP029N06NAKSA1	TO-220	60	2.9	2.8	100
IPP032N06N3 G	SP000680770	IPP032N06N3GXKSA1	TO-220	60	3.2	2.0 ... 4.0	120
IPP037N06L3 G	SP000680774	IPP037N06L3GXKSA1	TO-220	60	3.7	1.2 ... 2.2	80
IPP040N06N	SP000959820	IPP040N06NAKSA1	TO-220	60	4.0	2.8	100
IPP040N06N3 G	SP000680788	IPP040N06N3GXKSA1	TO-220	60	4.0	2.0 ... 4.0	90
IPP052N06L3 G	SP000680802	IPP052N06L3GXKSA1	TO-220	60	4.9	1.2 ... 2.0	80
IPP057N06N3 G	SP000680808	IPP057N06N3GXKSA1	TO-220	60	5.7	2.0 ... 4.0	80
IPP060N06N	SP000917402	IPP060N06NAKSA1	TO-220	60	6.0	2.8	45
IPP084N06L3 G	SP000680838	IPP084N06L3GXKSA1	TO-220	60	8.1	1.2 ... 2.0	50
IPP093N06N3 G	SP000680852	IPP093N06N3GXKSA1	TO-220	60	9.0	2.0 ... 4.0	50
▼ IPT007N06N	SP001100158	IPT007N06NATMA1	TO-Leadless	60	0.75	2.1 ... 3.3	300
BSO615N G	SP000216316	BSO615NGHUMA1	SO-8 dual	60	150	1.2 ... 2.0	2.6
▼ BSP318S	SP001058838	BSP318SH6327XTSA1	SOT223	60	90	1.2 ... 2.0	2.5
▼ BSP320S	SP001058768	BSP320SH6327XTSA1	SOT223	60	120	2.0 ... 4.0	2.9
▼ BSP320S	SP001058772	BSP320SH6433XTMA1	SOT223	60	120	2.0 ... 4.0	2.9
▼ BSP295	SP001058618	BSP295H6327XTSA1	SOT223	60	300	0.8 ... 1.8	1.8
2N7002	SP000929182	2N7002H6327XTSA2	SOT23	60	3000	1.5 ... 2.5	0.20
BSS138N	SP000919330	BSS138NH6327XTSA2	SOT23	60	3500	0.6 ... 1.4	0.23
BSS138N	SP000924060	BSS138NH6433XTMA1	SOT23	60	3500	0.6 ... 1.4	0.23
BSS7728N	SP000929184	BSS7728NH6327XTSA2	SOT23	60	5000	1.3 ... 2.3	0.20
SN7002N	SP000929188	SN7002NH6327XTSA2	SOT23	60	5000	0.8 ... 1.8	0.20
SN7002N	SP000924072	SN7002NH6433XTMA1	SOT23	60	5000	0.8 ... 1.8	0.20
BSS138W	SP000924068	BSS138WH6327XTSA1	SOT323	60	3500	0.6 ... 1.4	0.28
BSS138W	SP000917558	BSS138WH6433XTMA1	SOT323	60	3500	0.6 ... 1.4	0.28
SN7002W	SP000917572	SN7002WH6327XTSA1	SOT323	60	5000	0.8 ... 1.8	0.23
SN7002W	SP000917588	SN7002WH6433XTMA1	SOT323	60	5000	0.8 ... 1.8	0.23
2N7002DW	SP000917596	2N7002DWH6327XTSA1	SOT363 dual	60	3000	1.5 ... 2.5	0.30

SMD = Surface Mounted Device

Type	Ordering Code	Orderable Part Number	Package	Data			
				V_{DS} V	$R_{DS(on)max}$ mΩ	$V_{GS(th)}$ V	I_D A

N-Channel MOSFETs**75V**

BSC036NE7NS3 G	SP000907920	BSC036NE7NS3GATMA1	SuperSO8	75	3.6	2.3 ... 3.8	100
BSC042NE7NS3 G	SP000657440	BSC042NE7NS3GATMA1	SuperSO8	75	4.2	2.3 ... 3.8	100
BSF450NE7NH3	SP001019350	BSF450NE7NH3XUMA1	CanPAK™ S-size	75	45	2.3 ... 3.5	15
IPB020NE7N3 G	SP000676950	IPB020NE7N3GATMA1	D ² PAK	75	2.0	2.3 ... 3.8	120
IPB031NE7N3 G	SP000641730	IPB031NE7N3GATMA1	D ² PAK	75	3.1	2.3 ... 3.8	100
IPB049NE7N3 G	SP000641752	IPB049NE7N3GATMA1	D ² PAK	75	4.9	2.3 ... 3.8	80
IPI023NE7N3 G	SP000641732	IPI023NE7N3GAKSA1	I ² PAK	75	2.3	2.3 ... 3.8	120
IPI034NE7N3 G	SP000641734	IPI034NE7N3GAKSA1	I ² PAK	75	3.4	2.3 ... 3.8	100
IPI052NE7N3 G	SP000657442	IPI052NE7N3GAKSA1	I ² PAK	75	5.2	2.3 ... 3.8	80
IPP023NE7N3 G	SP000641722	IPP023NE7N3GXKSA1	TO-220	75	2.3	2.3 ... 3.8	120
IPP034NE7N3 G	SP000843890	IPP034NE7N3GHKSA1	TO-220	75	3.4	2.3 ... 3.8	100
▼ IPP034NE7N3 G	SP000641724	IPP034NE7N3GXKSA1	TO-220	75	3.4	2.3 ... 3.8	100
▼ IPP052NE7N3 G	SP000846650	IPP052NE7N3GHKSA1	TO-220	75	5.2	2.3 ... 3.8	80
IPP052NE7N3 G	SP000641726	IPP052NE7N3GXKSA1	TO-220	75	5.2	2.3 ... 3.8	80
IPP062NE7N3 G	SP000846652	IPP062NE7N3GHKSA1	TO-220	75	6.2	2.3 ... 3.8	80
IPP062NE7N3 G	SP000819768	IPP062NE7N3GXKSA1	TO-220	75	6.2	2.3 ... 3.8	80

80V

BSB044N08NN3 G	SP000604542	BSB044N08NN3GXUMA1	CanPAK™ M-size	80	4.4	2.0 ... 4.0	90
▼ BSB104N08NP3 G	SP001164330	BSB104N08NP3GXUSA1	CanPAK™ M-size	80	10.4	2.0 ... 3.5	50
BSC047N08NS3 G	SP000436372	BSC047N08NS3GATMA1	SuperSO8	80	4.7	2.0 ... 3.5	100
BSC057N08NS3 G	SP000447542	BSC057N08NS3GATMA1	SuperSO8	80	5.7	2.0 ... 3.5	100
BSC123N08NS3 G	SP000443916	BSC123N08NS3GATMA1	SuperSO8	80	12.3	2.0 ... 3.5	55
BSC340N08NS3 G	SP000447534	BSC340N08NS3GATMA1	SuperSO8	80	34	2.0 ... 3.5	23
BSZ123N08NS3 G	SP000443632	BSZ123N08NS3GATMA1	S3O8	80	12.3	2.0 ... 3.5	40
BSZ340N08NS3 G	SP000443634	BSZ340N08NS3GATMA1	S3O8	80	34	2.0 ... 3.5	23
IPA028N08N3 G	SP000446770	IPA028N08N3GXKSA1	TO-220 FullPAK	80	2.8	2.0 ... 3.5	100
IPA037N08N3 G	SP000446772	IPA037N08N3GXKSA1	TO-220 FullPAK	80	3.7	2.0 ... 3.5	75
IPA057N08N3 G	SP000454442	IPA057N08N3GXKSA1	TO-220 FullPAK	80	5.7	2.0 ... 3.5	60
IPA100N08N3 G	SP000473900	IPA100N08N3GXKSA1	TO-220 FullPAK	80	10	2.0 ... 3.5	40
IPB019N08N3 G	SP000444110	IPB019N08N3GATMA1	D ² PAK 7pin	80	1.9	2.0 ... 3.5	180
IPB025N08N3 G	SP000311980	IPB025N08N3GATMA1	D ² PAK	80	2.5	2.0 ... 3.5	120
IPB030N08N3 G	SP000444100	IPB030N08N3GATMA1	D ² PAK 7pin	80	3.0	2.0 ... 3.5	160
IPB035N08N3 G	SP000457588	IPB035N08N3GATMA1	D ² PAK	80	3.5	2.0 ... 3.5	100
IPB054N08N3 G	SP000395166	IPB054N08N3GATMA1	D ² PAK	80	5.4	2.0 ... 3.5	80
IPB067N08N3 G	SP000443636	IPB067N08N3GATMA1	D ² PAK	80	6.7	2.0 ... 3.5	80
IPB097N08N3 G	SP000474200	IPB097N08N3GATMA1	D ² PAK	80	9.7	2.0 ... 3.5	70
IPB136N08N3 G	SP000447512	IPB136N08N3GATMA1	D ² PAK	80	13.6	2.0 ... 3.5	45
IPD053N08N3 G	SP000395183	IPD053N08N3GBTMA1	DPAK	80	5.3	2.0 ... 3.5	90
IPD096N08N3 G	SP000474196	IPD096N08N3GBTMA1	DPAK	80	9.6	2.0 ... 3.5	73
IPD135N08N3 G	SP000454266	IPD135N08N3GBTMA1	DPAK	80	13.5	2.0 ... 3.5	45
IPI037N08N3 G	SP000680654	IPI037N08N3GXKSA1	I ² PAK	80	3.7	2.0 ... 3.5	100
IPP028N08N3 G	SP000680766	IPP028N08N3GXKSA1	TO-220	80	2.8	2.0 ... 3.5	100
IPP037N08N3 G	SP000680776	IPP037N08N3GXKSA1	TO-220	80	3.7	2.0 ... 3.5	100
IPP057N08N3 G	SP000680810	IPP057N08N3GXKSA1	TO-220	80	5.7	2.0 ... 3.5	80
IPP070N08N3 G	SP000680828	IPP070N08N3GXKSA1	TO-220	80	7.0	2.0 ... 3.5	80
IPP100N08N3 G	SP000680856	IPP100N08N3GXKSA1	TO-220	80	10	2.0 ... 3.5	70
IPP139N08N3 G	SP000680870	IPP139N08N3GXKSA1	TO-220	80	13.9	2.0 ... 3.5	45

SMD = Surface Mounted Device

Power Semiconductors

Type	Ordering Code	Orderable Part Number	Package	Data			
				V_{DS}	$R_{DS(on)max}$	$V_{GS(th)}$	I_D
				V	mΩ	V	A

N-Channel MOSFETs

100V

BSB056N10NN3 G	SP000604540	BSB056N10NN3GXUMA1	CanPAK™ M-size	100	5.6	2.0 ... 3.5	83
BSC046N10NS3 G	SP000907922	BSC046N10NS3GATMA1	SuperSO8	100	4.6	2.0 ... 3.5	100
BSC060N10NS3 G	SP000446584	BSC060N10NS3GATMA1	SuperSO8	100	6.0	2.0 ... 3.5	90
BSC070N10NS3 G	SP000778082	BSC070N10NS3GATMA1	SuperSO8	100	7.0	2.0 ... 3.5	90
■ BSC079N10NS G	SP000379590	BSC079N10NSGATMA1	SuperSO8	100	7.9	2.0 ... 4.0	100
BSC082N10LS G	SP000379609	BSC082N10LSGATMA1	SuperSO8	100	8.2	1.2 ... 2.4	100
■ BSC100N10NSF G	SP000379595	BSC100N10NSFGATMA1	SuperSO8	100	10	2.0 ... 4.0	90
BSC105N10LSF G	SP000388502	BSC105N10LSFGATMA1	SuperSO8	100	10.5	1.2 ... 2.4	90
BSC109N10NS3 G	SP000778132	BSC109N10NS3GATMA1	SuperSO8	100	10.9	2.0 ... 3.5	63
BSC118N10NS G	SP000379599	BSC118N10NSGATMA1	SuperSO8	100	11.8	2.0 ... 4.0	71
BSC123N10LS G	SP000379612	BSC123N10LSGATMA1	SuperSO8	100	12.3	1.2 ... 2.4	71
■ BSC159N10LSF G	SP000379614	BSC159N10LSFGATMA1	SuperSO8	100	15.9	1.2 ... 2.4	63
BSC160N10NS3 G	SP000482382	BSC160N10NS3GATMA1	SuperSO8	100	16	2.0 ... 3.5	42
BSC196N10NS G	SP000379604	BSC196N10NSGATMA1	SuperSO8	100	19.6	2.0 ... 4.0	45
BSC205N10LS G	SP000379616	BSC205N10LSGATMA1	SuperSO8	100	20.5	1.2 ... 2.4	45
BSC252N10NSF G	SP000379608	BSC252N10NSFGATMA1	SuperSO8	100	25.2	2.0 ... 4.0	39
BSC265N10LSF G	SP000379618	BSC265N10LSFGATMA1	SuperSO8	100	26.5	1.2 ... 2.4	40
BSC440N10NS3 G	SP000482420	BSC440N10NS3GATMA1	SuperSO8	100	44	2.0 ... 3.5	18
BSC750N10ND G	SP000359610	BSC750N10NDGATMA1	SuperSO8 dual	100	75	2.0 ... 4.0	13
BSF134N10NJ3 G	SP000604536	BSF134N10NJ3GXUMA1	CanPAK™ S-size	100	13.4	2.0 ... 3.5	40
▼ BSZ150N10LS3 G	SP001002916	BSZ150N10LS3GATMA1	S3O8	100	15	1.1 ... 2.1	40
BSZ160N10NS3 G	SP000482390	BSZ160N10NS3GATMA1	S3O8	100	16	2.0 ... 3.5	40
BSZ440N10NS3 G	SP000482442	BSZ440N10NS3GATMA1	S3O8	100	44	2.0 ... 3.5	18
IPA030N10N3 G	SP000464914	IPA030N10N3GXKSA1	TO-220 FullIPAK	100	3.0	2.0 ... 3.5	79
IPA045N10N3 G	SP000478912	IPA045N10N3GXKSA1	TO-220 FullIPAK	100	4.5	2.0 ... 3.5	64
IPA086N10N3 G	SP000485984	IPA086N10N3GXKSA1	TO-220 FullIPAK	100	8.6	2.0 ... 3.5	45
IPA126N10N3 G	SP000485964	IPA126N10N3GXKSA1	TO-220 FullIPAK	100	12.6	2.0 ... 3.5	35
IPA180N10N3 G	SP000480108	IPA180N10N3GXKSA1	TO-220 FullIPAK	100	18	2.0 ... 3.5	19
IPB025N10N3 G	SP000469888	IPB025N10N3GATMA1	D²PAK 7pin	100	2.5	2.0 ... 3.5	180
IPB025N10N3 G	SP000939338	IPB025N10N3GE8187ATMA1	D²PAK 7pin	100	2.5	2.0 ... 3.5	180
IPB027N10N3 G	SP000506508	IPB027N10N3GATMA1	D²PAK	100	2.7	2.0 ... 3.5	120
IPB039N10N3 G	SP000482428	IPB039N10N3GATMA1	D²PAK 7pin	100	3.9	2.0 ... 3.5	160
IPB039N10N3 G	SP000939340	IPB039N10N3GE8187ATMA1	D²PAK 7pin	100	3.9	2.0 ... 3.5	160
IPB042N10N3 G	SP000446880	IPB042N10N3GATMA1	D²PAK	100	4.2	2.0 ... 3.5	100
IPB042N10N3 G	SP000939332	IPB042N10N3GE8187ATMA1	D²PAK	100	4.2	2.0 ... 3.5	100
IPB083N10N3 G	SP000458812	IPB083N10N3GATMA1	D²PAK	100	8.2	2.0 ... 3.5	80
IPB123N10N3 G	SP000485968	IPB123N10N3GATMA1	D²PAK	100	12.3	2.0 ... 3.5	58

SMD = Surface Mounted Device

Type	Ordering Code	Orderable Part Number	Package	Data			
				V_{DS} V	$R_{DS(on) max}$ mΩ	$V_{GS(th)}$ V	I_D A

N-Channel MOSFETs

100V
(cont'd)

IPD068N10N3 G	SP000469892	IPD068N10N3GBTMA1	DPAK	100	6.8	2.0 ... 3.5	90
IPD082N10N3 G	SP000485986	IPD082N10N3GBTMA1	DPAK	100	8.2	2.0 ... 3.5	80
IPD122N10N3 G	SP000485966	IPD122N10N3GBTMA1	DPAK	100	12.2	2.0 ... 4.0	59
■ IPD12CN10N G	SP000096476	IPD12CN10NGBUMA1	DPAK	100	12.4	2.0 ... 4.0	67
IPD180N10N3 G	SP000482438	IPD180N10N3GBTMA1	DPAK	100	18	2.0 ... 3.5	43
IPD25CN10N G	SP000096456	IPD25CN10NGBUMA1	DPAK	100	25	2.0 ... 4.0	35
IPD33CN10N G	SP000096458	IPD33CN10NGBUMA1	DPAK	100	33	2.0 ... 4.0	27
IPD78CN10N G	SP000096460	IPD78CN10NGBUMA1	DPAK	100	78	2.0 ... 4.0	13
IPI0030N10N3 G	SP000680648	IPI030N10N3GXKSA1	I ² PAK	100	3.0	2.0 ... 3.5	100
IPI045CN10N3 G	SP000683068	IPI045N10N3GXKSA1	I ² PAK	100	4.5	2.0 ... 3.5	100
IPI072CN10N3 G	SP000680674	IPI072N10N3GXKSA1	I ² PAK	100	7.2	2.0 ... 3.5	80
IPI086CN10N3 G	SP000683070	IPI086N10N3GXKSA1	I ² PAK	100	8.6	2.0 ... 3.5	80
IPI126N10N3 G	SP000683072	IPI126N10N3GXKSA1	I ² PAK	100	12.6	2.7 ... 3.5	46
IPI180N10N3 G	SP000683076	IPI180N10N3GXKSA1	I ² PAK	100	18	2.7 ... 3.5	43
IPP030N10N3 G	SP000680768	IPP030N10N3GXKSA1	TO-220	100	3.0	2.0 ... 3.5	100
■ IPP04CN10N G	SP000680796	IPP04CN10NGXKSA1	TO-220	100	4.2	2.0 ... 4.0	100
IPP045N10N3 G	SP000680794	IPP045N10N3GXKSA1	TO-220	100	4.5	2.0 ... 3.5	100
■ IPP05CN10N G	SP000680814	IPP05CN10NGXKSA1	TO-220	100	5.4	2.0 ... 4.0	100
IPP072N10N3 G	SP000680830	IPP072N10N3GXKSA1	TO-220	100	7.2	2.0 ... 3.5	80
IPP086N10N3 G	SP000680840	IPP086N10N3GXKSA1	TO-220	100	8.6	2.0 ... 3.5	80
IPP12CN10L G	SP000680864	IPP12CN10LGXKSA1	TO-220	100	12	1.2 ... 2.4	69
IPP126N10N3 G	SP000683088	IPP126N10N3GXKSA1	TO-220	100	12.6	2.0 ... 3.5	58
IPP180N10N3 G	SP000683090	IPP180N10N3GXKSA1	TO-220	100	18	2.0 ... 3.5	43
▼ IPT020N10N3	SP001100160	IPT020N10N3ATMA1	TO-Leadless	100	2.0	2.0 ... 3.5	300
▼ BSP373N	SP001059328	BSP373NH6327XTSA1	SOT223	100	300	2.1 ... 4.0	1.70
▼ BSP372N	SP001059326	BSP372NH6327XTSA1	SOT223	100	310@5V	0.8 ... 2.0	1.7
▼ BSP296N	SP001059330	BSP296NH6327XTSA1	SOT223	100	600	0.8 ... 1.8	1.2
▼ BSP296N	SP001098610	BSP296NH6433XTMA1	SOT223	100	600	0.8 ... 1.8	1.2
BSS119N	SP000870644	BSS119NH6327XTSA1	SOT23	100	6000	1.3 ... 2.3	0.19
BSS119N	SP000996564	BSS119NH6433XTMA1	SOT23	100	6000	1.3 ... 2.3	0.19
BSS123N	SP000870646	BSS123NH6327XTSA1	SOT23	100	6000	0.8 ... 1.8	0.19
BSS123N	SP000939268	BSS123NH6433XTMA1	SOT23	100	6000	0.8 ... 1.8	0.19

SMD = Surface Mounted Device

Power Semiconductors

Type	Ordering Code	Orderable Part Number	Package	Data			
				V_{DS}	$R_{DS(on)max}$	$V_{GS(th)}$	I_D
				V	mΩ	V	A

N-Channel MOSFETs

120V

BSC077N12NS3 G	SP000652750	BSC077N12NS3GATMA1	SuperSO8	120	7.7	2.0 ... 4.0	98
BSC190N12NS3 G	SP000652752	BSC190N12NS3GATMA1	SuperSO8	120	19	2.0 ... 4.0	44
BSC240N12NS3 G	SP000819812	BSC240N12NS3GATMA1	SuperSO8	120	24	2.0 ... 4.0	37
BSZ240N12NS3 G	SP000819814	BSZ240N12NS3GATMA1	S3O8	120	24	2.0 ... 4.0	37
IPB036N12N3 G	SP000675204	IPB036N12N3GATMA1	D ² PAK	120	3.6	2.0 ... 4.0	180
IPB038N12N3 G	SP000694160	IPB038N12N3GATMA1	D ² PAK	120	3.8	2.0 ... 4.0	120
IPB144N12N3 G	SP000694166	IPB144N12N3GATMA1	D ² PAK	120	14.4	2.0 ... 4.0	56
IPD110N12N3 G	SP000674466	IPD110N12N3GBUMA1	DPAK	120	11	2.0 ... 4.0	75
IPI041N12N3 G	SP000652748	IPI041N12N3GAKSA1	I ² PAK	120	4.1	2.0 ... 4.0	120
IPI076N12N3 G	SP000652738	IPI076N12N3GAKSA1	I ² PAK	120	7.6	2.0 ... 4.0	100
IPI147N12N3 G	SP000652744	IPI147N12N3GAKSA1	I ² PAK	120	14.7	2.0 ... 4.0	56
IPP041N12N3 G	SP000652746	IPP041N12N3GXKSA1	TO-220	120	4.1	2.0 ... 4.0	120
IPP048N12N3 G	SP000652734	IPP048N12N3GXKSA1	TO-220	120	4.8	2.0 ... 4.0	100
IPP076N12N3 G	SP000652736	IPP076N12N3GXKSA1	TO-220	120	7.6	2.0 ... 4.0	100
IPP114N12N3 G	SP000652740	IPP114N12N3GXKSA1	TO-220	120	11.4	2.0 ... 4.0	75
IPP147N12N3 G	SP000652742	IPP147N12N3GXKSA1	TO-220	120	14.7	2.0 ... 4.0	56
▼ IPS110N12N3 G	SP000674456	IPS110N12N3GBKMA1	IPAK SL	120	11	2.0 ... 4.0	75

150V

BSB165N15NZ3 G	SP000617000	BSB165N15NZ3GXUMA1	CanPAK™ M-size	150	16.5	2.0 ... 4.0	45
BSB280N15NZ3 G	SP000604534	BSB280N15NZ3GXUMA1	CanPAK™ M-size	150	28	2.0 ... 4.0	30
BSC190N15NS3 G	SP000416636	BSC190N15NS3GATMA1	SuperSO8	150	19	2.0 ... 4.0	50
BSC360N15NS3 G	SP000778134	BSC360N15NS3GATMA1	SuperSO8	150	36	2.0 ... 4.0	33
BSC520N15NS3 G	SP000521716	BSC520N15NS3GATMA1	SuperSO8	150	52	2.0 ... 4.0	21
BSZ520N15NS3 G	SP000607022	BSZ520N15NS3GATMA1	S3O8	150	52	2.0 ... 4.0	21
BSZ900N15NS3 G	SP000677866	BSZ900N15NS3GATMA1	S3O8	150	90	2.0 ... 4.0	13
IPA075N15N3 G	SP000607018	IPA075N15N3GXKSA1	TO-220 FullPAK	150	7.5	2.0 ... 4.0	41
IPA105N15N3 G	SP000677850	IPA105N15N3GXKSA1	TO-220 FullPAK	150	10.5	2.0 ... 4.0	37
IPB065N15N3 G	SP000521724	IPB065N15N3GATMA1	D ² PAK	150	6.5	2.0 ... 4.0	130
IPB072N15N3 G	SP000386664	IPB072N15N3GATMA1	D ² PAK	150	7.2	2.0 ... 4.0	100
IPB108N15N3 G	SP000677862	IPB108N15N3GATMA1	D ² PAK	150	10.8	2.0 ... 4.0	83
IPB200N15N3 G	SP000414740	IPB200N15N3GATMA1	D ² PAK	150	20	2.0 ... 4.0	50
IPB530N15N3 G	SP000521718	IPB530N15N3GATMA1	D ² PAK	150	53	2.0 ... 4.0	8.7
IPD200N15N3 G	SP000386665	IPD200N15N3GBTMA1	DPAK	150	20	2.0 ... 4.0	50
IPD530N15N3 G	SP000521720	IPD530N15N3GBTMA1	DPAK	150	53	2.0 ... 4.0	8.7
IPI075N15N3 G	SP000680676	IPI075N15N3GXKSA1	I ² PAK	150	7.5	2.0 ... 4.0	100
IPI111N15N3 G	SP000680232	IPI111N15N3GAKSA1	I ² PAK	150	11.1	2.0 ... 4.0	83
IPI200N15N3 G	SP000680722	IPI200N15N3GXKSA1	I ² PAK	150	20	2.0 ... 4.0	50
▼ IPI530N15N3 G	SP000807642	IPI530N15N3GXKSA1	I ² PAK	150	53	2.0 ... 4.0	21
IPP075N15N3 G	SP000680832	IPP075N15N3GXKSA1	TO-220	150	7.5	2.0 ... 4.0	100
IPP111N15N3 G	SP000677860	IPP111N15N3GXKSA1	TO-220	150	11.1	2.0 ... 4.0	83
IPP200N15N3 G	SP000680884	IPP200N15N3GXKSA1	TO-220	150	20	2.0 ... 4.0	50
IPP530N15N3 G	SP000521722	IPP530N15N3GXKSA1	TO-220	150	53	2.0 ... 4.0	8.7
▼ IPT059N15N3 G	SP001100162	IPT059N15N3ATMA1	TO-Leadless	150	5.9	2.0 ... 4.0	155

SMD = Surface Mounted Device

Type	Ordering Code	Orderable Part Number	Package	Data			
				V_{DS} V	$R_{DS(on) max}$ mΩ	$V_{GS(th)}$ V	I_D A

N-Channel MOSFETs**200V**

BSC320N20NS3 G	SP000676410	BSC320N20NS3GATMA1	SuperSO8	200	32	2.0 ... 4.0	36.0
▼ BSC500N20NS3 G	SP000998292	BSC500N20NS3GATMA1	SuperSO8	200	50	2.0 ... 4.0	24.0
BSC900N20NS3 G	SP000781780	BSC900N20NS3GATMA1	SuperSO8	200	90	2.0 ... 4.0	15.2
BSC12DN20NS3 G	SP000781774	BSC12DN20NS3GATMA1	SuperSO8	200	125	2.0 ... 4.0	11.3
BSC22DN20NS3 G	SP000781778	BSC22DN20NS3GATMA1	SuperSO8	200	225	2.0 ... 4.0	7.0
BSZ900N20NS3 G	SP000781806	BSZ900N20NS3GATMA1	S3O8	200	90	2.0 ... 4.0	15.2
BSZ12DN20NS3 G	SP000781784	BSZ12DN20NS3GATMA1	S3O8	200	125	2.0 ... 4.0	11.3
BSZ22DN20NS3 G	SP000781794	BSZ22DN20NS3GATMA1	S3O8	200	225	2.0 ... 4.0	7.0
IPB107N20N3 G	SP000676406	IPB107N20N3GATMA1	D ² PAK	200	10.7	2.0 ... 4.0	88.0
IPB107N20NA	SP000877674	IPB107N20NAATMA1	D ² PAK	200	11	2.0 ... 4.0	88.0
IPB320N20N3 G	SP000691172	IPB320N20N3GATMA1	D ² PAK	200	32	2.0 ... 4.0	34.0
IPD320N20N3 G	SP000677838	IPD320N20N3GBTMA1	DPAK	200	32	2.0 ... 4.0	34.0
BUZ30A H3045A	SP000736082	BUZ30AH3045AATMA1	D ² PAK	200	130	2.1 ... 4.0	21.0
SPD07N20 G	SP000449008	SPD07N20GBTMA1	DPAK	200	400	2.1 ... 4.0	7.0
IPI110N20N3 G	SP000714304	IPI110N20N3GAKSA1	I ² PAK	200	11	2.0 ... 4.0	65.0
IPI320N20N3 G	SP000714312	IPI320N20N3GAKSA1	I ² PAK	200	32	2.0 ... 4.0	22.0
BUZ31 H3046	SP000682994	BUZ31H3046XKSA1	I ² PAK	200	200	2.1 ... 4.0	14.5
IPP110N20NA	SP000877672	IPP110N20NAAKSA1	TO-220	200	11	2.0 ... 4.0	88.0
IPP110N20N3 G	SP000677892	IPP110N20N3GXKSA1	TO-220	200	11.1	2.0 ... 4.0	88.0
IPP320N20N3 G	SP000677842	IPP320N20N3GXKSA1	TO-220	200	32	2.0 ... 4.0	34.0
BUZ30A H	SP000682990	BUZ30AHXKSA1	TO-220	200	130	2.1 ... 4.0	21.0
BUZ31L H	SP000682996	BUZ31LHXKSA1	TO-220	200	200	1.2 ... 2.0	13.5
▼ BSP297	SP001058622	BSP297H6327XTSA1	SOT223	200	1800	0.8 ... 1.8	0.66

240V

BSP88	SP001058790	BSP88H6327XTSA1	SOT223	240	6000	0.6 ... 1.4	0.35
BSP89	SP001058794	BSP89H6327XTSA1	SOT223	240	6000	0.8 ... 1.8	0.35
BSS87	SP001047646	BSS87H6327FTSA1	SOT89	240	6000	0.8 ... 1.8	0.26
BSS131	SP000702620	BSS131H6327XTSA1	SOT23	240	14000	0.8 ... 1.8	0.11

250V

BSC600N25NS3 G	SP000676402	BSC600N25NS3GATMA1	SuperSO8	250	60	2.0 ... 4.0	25.0
BSC16DN25NS3 G	SP000781782	BSC16DN25NS3GATMA1	SuperSO8	250	165	2.0 ... 4.0	10.9
BSZ16DN25NS3 G	SP000781800	BSZ16DN25NS3GATMA1	S3O8	250	165	2.0 ... 4.0	10.9
BSZ42DN15NS3 G	SP000781796	BSZ42DN25NS3GATMA1	S3O8	250	425	2.0 ... 4.0	5.0
IPB200N25N3 G	SP000677896	IPB200N25N3GATMA1	D ² PAK	250	20	2.0 ... 4.0	64.0
IPB600N25N3 G	SP000676408	IPB600N25N3GATMA1	D ² PAK	250	60	2.0 ... 4.0	25.0
IPD600N25N3 G	SP000676404	IPD600N25N3GBTMA1	DPAK	250	60	2.0 ... 4.0	25.0
IPI200N25N3 G	SP000714308	IPI200N25N3GAKSA1	I ² PAK	250	20	2.0 ... 4.0	64.0
IPI600N25N3 G	SP000714316	IPI600N25N3GAKSA1	I ² PAK	250	60	2.0 ... 4.0	22.0
IPP200N25N3 G	SP000677894	IPP200N25N3GXKSA1	TO-220	250	20	2.0 ... 4.0	64.0
IPP600N25N3 G	SP000677832	IPP600N25N3GXKSA1	TO-220	250	60	2.0 ... 4.0	25.0

SMD = Surface Mounted Device

Power Semiconductors

Type	Ordering Code	Orderable Part Number	Package	Data			
				V_{DS}	$R_{DS(on)max}$	$V_{GS(th)}$	I_D
				V	mΩ	V	A

N-Channel MOSFETs

400V

BSP298	SP001058626	BSP298H6327XUSA1	SOT223	400	3000	2.1 ... 4.0	0.50
BSP324	SP001058786	BSP324H6327XTSA1	SOT223	400	25000	1.3 ... 2.3	0.17

500V

BSP299	SP001058628	BSP299H6327XUSA1	SOT223	500	4000	2.1 ... 4.0	0.40
--------	-------------	------------------	--------	-----	------	-------------	------

500V

C3 Series

SPA21N50C3	SP000216364	SPA21N50C3XKSA1	TO-220 FullPAK	500	190	2.1 ... 3.9	21.0
SPA16N50C3	SP000216351	SPA16N50C3XKSA1	TO-220 FullPAK	500	280	2.1 ... 3.9	16.0
SPA12N50C3	SP000216322	SPA12N50C3XKSA1	TO-220 FullPAK	500	380	2.1 ... 3.9	11.6
SPA08N50C3	SP000216306	SPA08N50C3XKSA1	TO-220 FullPAK	500	600	2.1 ... 3.9	7.6
SPA04N50C3	SP000216298	SPA04N50C3XKSA1	TO-220 FullPAK	500	950	2.1 ... 3.9	4.5
◆ SPB21N50C3	SP000013833	SPB21N50C3ATMA1	D ² PAK	500	190	2.1 ... 3.9	21.0
◆ SPB16N50C3	SP000014895	SPB16N50C3ATMA1	D ² PAK	500	280	2.1 ... 3.9	16.0
◆ SPB12N50C3	SP000014894	SPB12N50C3ATMA1	D ² PAK	500	380	2.1 ... 3.9	11.6
◆ SPB04N50C3	SP000014477	SPB04N50C3ATMA1	D ² PAK	500	950	2.1 ... 3.9	4.5
▼ SPD08N50C3	SP001117776	SPD08N50C3ATMA1	DPAK	500	600	2.1 ... 3.9	7.6
SPD08N50C3	SP000307395	SPD08N50C3BTMA1	DPAK	500	600	2.1 ... 3.9	7.6
▼ SPD04N50C3	SP001117762	SPD04N50C3ATMA1	DPAK	500	950	2.1 ... 3.9	4.5
SPD04N50C3	SP000313945	SPD04N50C3BTMA1	DPAK	500	950	2.1 ... 3.9	4.5
▼ SPD03N50C3	SP001117756	SPD03N50C3ATMA1	DPAK	500	1400	2.1 ... 3.9	3.2
SPD03N50C3	SP000307392	SPD03N50C3BTMA1	DPAK	500	1400	2.1 ... 3.9	3.2
SPD02N50C3	SP000313942	SPD02N50C3BTMA1	DPAK	500	3000	2.1 ... 3.9	1.8
◆ SPI21N50C3	SP000014463	SPI21N50C3HKSA1	I ² PAK	500	190	2.1 ... 3.9	21.0
◆ SPI21N50C3	SP000681012	SPI21N50C3XKSA1	I ² PAK	500	190	2.1 ... 3.9	21.0
◆ SPI16N50C3	SP000014470	SPI16N50C3HKSA1	I ² PAK	500	280	2.1 ... 3.9	16.0
◆ SPI16N50C3	SP000681004	SPI16N50C3XKSA1	I ² PAK	500	280	2.1 ... 3.9	16.0
◆ SPI12N50C3	SP000014467	SPI12N50C3HKSA1	I ² PAK	500	380	2.1 ... 3.9	11.6
◆ SPI12N50C3	SP000680996	SPI12N50C3XKSA1	I ² PAK	500	380	2.1 ... 3.9	11.6
◆ SPI08N50C3	SP000014461	SPI08N50C3HKSA1	I ² PAK	500	600	2.1 ... 3.9	7.6
◆ SPI08N50C3	SP000680984	SPI08N50C3XKSA1	I ² PAK	500	600	2.1 ... 3.9	7.6
SPP21N50C3	SP000013832	SPP21N50C3HKSA1	TO-220	500	190	2.1 ... 3.9	21.0
SPP21N50C3	SP000681066	SPP21N50C3XKSA1	TO-220	500	190	2.1 ... 3.9	21.0
SPP16N50C3	SP000014460	SPP16N50C3HKSA1	TO-220	500	280	2.1 ... 3.9	16.0
SPP16N50C3	SP000681056	SPP16N50C3XKSA1	TO-220	500	280	2.1 ... 3.9	16.0
SPP12N50C3	SP000014459	SPP12N50C3HKSA1	TO-220	500	380	2.1 ... 3.9	11.6
SPP12N50C3	SP000681048	SPP12N50C3XKSA1	TO-220	500	380	2.1 ... 3.9	11.6
SPP08N50C3	SP000013834	SPP08N50C3HKSA1	TO-220	500	600	2.1 ... 3.9	7.6
SPP08N50C3	SP000681038	SPP08N50C3XKSA1	TO-220	500	600	2.1 ... 3.9	7.6
SPP04N50C3	SP000014478	SPP04N50C3HKSA1	TO-220	500	950	2.1 ... 3.9	4.5
SPP04N50C3	SP000681022	SPP04N50C3XKSA1	TO-220	500	950	2.1 ... 3.9	4.5
◆ SPW52N50C3	SP000014626	SPW52N50C3FKSA1	TO-247	500	70	2.1 ... 3.9	52.0
◆ SPW32N50C3	SP000014625	SPW32N50C3FKSA1	TO-247	500	110	2.1 ... 3.9	32.0
SPW21N50C3	SP000014464	SPW21N50C3FKSA1	TO-247	500	190	2.1 ... 3.9	21.0
SPW16N50C3	SP000014472	SPW16N50C3FKSA1	TO-247	500	280	2.1 ... 3.9	16.0
SPW12N50C3	SP000014469	SPW12N50C3FKSA1	TO-247	500	380	2.1 ... 3.9	11.6

SMD = Surface Mounted Device

Type	Ordering Code	Orderable Part Number	Package	Data			
				V_{DS} V	$R_{DS(on)max}$ mΩ	$V_{GS(th)}$ V	I_D A

N-Channel MOSFETs

500V
CE Series

◆	IPA50R190CE	SP000848220	IPA50R190CEXKSA1	TO-220 FullPAK	500	190	2.5 ... 3.5	18.5
◆	IPA50R280CE	SP000848218	IPA50R280CEXKSA1	TO-220 FullPAK	500	280	2.5 ... 3.5	13.0
◆	IPA50R380CE	SP000848216	IPA50R380CEXKSA1	TO-220 FullPAK	500	380	2.5 ... 3.5	9.9
◆	IPA50R500CE	SP000939320	IPA50R500CEXKSA1	TO-220 FullPAK	500	500	2.5 ... 3.5	7.6
◆	IPA50R650CE	SP000992086	IPA50R650CEXKSA1	TO-220 FullPAK	500	650	2.5 ... 3.5	6.1
◆	IPA50R800CE	SP000992084	IPA50R800CEXKSA1	TO-220 FullPAK	500	800	2.5 ... 3.5	5.0
◆	IPA50R950CE	SP000939328	IPA50R950CEXKSA1	TO-220 FullPAK	500	950	2.5 ... 3.5	4.3
◆	IPD50R280CE	SP000992082	IPD50R280CEBTMA1	DKPAK	500	280	2.5 ... 3.5	13.0
◆▼	IPD50R380CE	SP001117698	IPD50R380CEATMA1	DKPAK	500	380	2.5 ... 3.5	9.9
◆	IPD50R380CE	SP000992080	IPD50R380CEBTMA1	DKPAK	500	380	2.5 ... 3.5	9.9
◆▼	IPD50R500CE	SP001117704	IPD50R500CEATMA1	DKPAK	500	500	2.5 ... 3.5	7.6
◆	IPD50R500CE	SP000988424	IPD50R500CEBTMA1	DKPAK	500	500	2.5 ... 3.5	7.6
◆▼	IPD50R650CE	SP001117708	IPD50R650CEATMA1	DKPAK	500	650	2.5 ... 3.5	6.1
◆	IPD50R650CE	SP000992078	IPD50R650CEBTMA1	DKPAK	500	650	2.5 ... 3.5	6.1
◆▼	IPD50R800CE	SP001117710	IPD50R800CEATMA1	DKPAK	500	800	2.5 ... 3.5	5.0
◆	IPD50R800CE	SP000992076	IPD50R800CEBTMA1	DKPAK	500	800	2.5 ... 3.5	5.0
◆	IPD50R950CE	SP000992070	IPD50R950CEBTMA1	DKPAK	500	950	2.5 ... 3.5	4.3
◆	IPD50R1K4CE	SP000992072	IPD50R1K4CEBTMA1	DKPAK	500	1400	2.5 ... 3.5	3.1
◆▼	IPD50R2K0CE	SP001023988	IPD50R2K0CEBTMA1	DKPAK	500	2000	2.5 ... 3.5	2.2
◆	IPD50R3K0CE	SP000992074	IPD50R3K0CEBTMA1	DKPAK	500	3000	2.5 ... 3.5	1.5
◆	IPP50R190CE	SP000850802	IPP50R190CEXKSA1	TO-220	500	190	2.5 ... 3.5	18.5
◆	IPP50R280CE	SP000850810	IPP50R280CEXKSA1	TO-220	500	280	2.5 ... 3.5	13.0
◆	IPP50R380CE	SP000850818	IPP50R380CEXKSA1	TO-220	500	380	2.5 ... 3.5	9.9
◆	IPP50R500CE	SP000939326	IPP50R500CEXKSA1	TO-220	500	500	2.5 ... 3.5	7.6
◆	IPU50R950CE	SP001022956	IPU50R950CEBKMA1	IPAK	500	950	2.5 ... 3.5	4.3
◆	IPU50R1K4CE	SP001022958	IPU50R1K4CEBKMA1	IPAK	500	1400	2.5 ... 3.5	3.1
◆	IPU50R2K0CE	SP001053984	IPU50R2K0CEBKMA1	IPAK	500	2000	2.5 ... 3.5	2.2
◆	IPU50R3K0CE	SP001022960	IPU50R3K0CEBKMA1	IPAK	500	3000	2.5 ... 3.5	1.5
◆	IPW50R190CE	SP000850798	IPW50R190CEFKSA1	TO-247	500	190	2.5 ... 3.5	18.5
◆	IPW50R280CE	SP000850804	IPW50R280CEFKSA1	TO-247	500	280	2.5 ... 3.5	13.0

SMD = Surface Mounted Device

Power Semiconductors

Type	Ordering Code	Orderable Part Number	Package	Data			
				V_{DS} V	$R_{DS(ON)max}$ mΩ	$V_{GS(th)}$ V	I_D A

N-Channel MOSFETs

500V CP Series

IPA50R140CP	SP000234988	IPA50R140CPXKSA1	TO-220 FullIPAK	500	140	2.5 ... 3.5	23.0
IPA50R199CP	SP000236081	IPA50R199CPXKSA1	TO-220 FullIPAK	500	199	2.5 ... 3.5	17.0
IPA50R250CP	SP000236080	IPA50R250CPXKSA1	TO-220 FullIPAK	500	250	2.5 ... 3.5	13.0
IPA50R299CP	SP000236079	IPA50R299CPXKSA1	TO-220 FullIPAK	500	299	2.5 ... 3.5	12.0
IPA50R350CP	SP000236078	IPA50R350CPXKSA1	TO-220 FullIPAK	500	350	2.5 ... 3.5	10.0
IPA50R399CP	SP000234987	IPA50R399CPXKSA1	TO-220 FullIPAK	500	399	2.5 ... 3.5	9.0
IPA50R520CP	SP000236076	IPA50R520CPXKSA1	TO-220 FullIPAK	500	520	2.5 ... 3.5	7.1
IPB50R140CP	SP000212746	IPB50R140CPATMA1	D ² PAK	500	140	2.5 ... 3.5	23.0
IPB50R199CP	SP000236092	IPB50R199CPATMA1	D ² PAK	500	199	2.5 ... 3.5	17.0
IPB50R250CP	SP000236093	IPB50R250CPATMA1	D ² PAK	500	250	2.5 ... 3.5	13.0
IPB50R299CP	SP000236094	IPB50R299CPATMA1	D ² PAK	500	299	2.5 ... 3.5	12.0
▼ IPD50R399CP	SP001117700	IPD50R399CPATMA1	DPAK	500	399	2.5 ... 3.5	9.0
IPD50R399CP	SP000307379	IPD50R399CPBTMA1	DPAK	500	399	2.5 ... 3.5	9.0
▼ IPD50R520CP	SP001117706	IPD50R520CPATMA1	DPAK	500	520	2.5 ... 3.5	7.0
IPD50R520CP	SP000307380	IPD50R520CPBTMA1	DPAK	500	520	2.5 ... 3.5	7.0
IPI50R140CP	SP000680734	IPI50R140CPXKSA1	I ² PAK	500	140	2.5 ... 3.5	23.0
IPI50R199CP	SP000523756	IPI50R199CPXKSA1	I ² PAK	500	199	2.5 ... 3.5	40.0
IPI50R250CP	SP000523750	IPI50R250CPXKSA1	I ² PAK	500	250	2.5 ... 3.5	13.0
IPI50R299CP	SP000523748	IPI50R299CPXKSA1	I ² PAK	500	299	2.5 ... 3.5	12.0
IPI50R350CP	SP000680736	IPI50R350CPXKSA1	I ² PAK	500	350	2.5 ... 3.5	10.0
IPI50R399CP	SP000259979	IPI50R399CPHKSA1	I ² PAK	500	399	2.5 ... 3.5	9.0
IPI50R399CP	SP000680738	IPI50R399CPXKSA1	I ² PAK	500	399	2.5 ... 3.5	9.0
IPP50R140CP	SP000234986	IPP50R140CPHKSA1	TO-220	500	140	2.5 ... 3.5	23.0
IPP50R140CP	SP000680932	IPP50R140CPXKSA1	TO-220	500	140	2.5 ... 3.5	23.0
IPP50R199CP	SP000236074	IPP50R199CPHKSA1	TO-220	500	199	2.5 ... 3.5	17.0
IPP50R199CP	SP000680934	IPP50R199CPXKSA1	TO-220	500	199	2.5 ... 3.5	17.0
■ IPP50R250CP	SP000236071	IPP50R250CPHKSA1	TO-220	500	250	2.5 ... 3.5	13.0
IPP50R250CP	SP000680936	IPP50R250CPXKSA1	TO-220	500	250	2.5 ... 3.5	13.0
IPP50R299CP	SP000236070	IPP50R299CPHKSA1	TO-220	500	299	2.5 ... 3.5	12.0
IPP50R299CP	SP000680938	IPP50R299CPXKSA1	TO-220	500	299	2.5 ... 3.5	12.0
IPP50R350CP	SP000236069	IPP50R350CPHKSA1	TO-220	500	350	2.5 ... 3.5	10.0
IPP50R350CP	SP000680940	IPP50R350CPXKSA1	TO-220	500	350	2.5 ... 3.5	10.0
IPP50R399CP	SP000234985	IPP50R399CPHKSA1	TO-220	500	399	2.5 ... 3.5	9.0
IPP50R399CP	SP000680942	IPP50R399CPXKSA1	TO-220	500	399	2.5 ... 3.5	9.0
IPP50R520CP	SP000236068	IPP50R520CPHKSA1	TO-220	500	520	2.5 ... 3.5	7.1
IPP50R520CP	SP000680944	IPP50R520CPXKSA1	TO-220	500	520	2.5 ... 3.5	7.1
IPS50R520CP	SP000307420	IPS50R520CPBKMA1	IPAK SL	500	520	2.5 ... 3.5	7.1
IPW50R140CP	SP000234989	IPW50R140CPFKSA1	TO-247	500	140	2.5 ... 3.5	23.0
IPW50R199CP	SP000236096	IPW50R199CPFKSA1	TO-247	500	199	2.5 ... 3.5	17.0
IPW50R250CP	SP000301162	IPW50R250CPFKSA1	TO-247	500	250	2.5 ... 3.5	13.0
IPW50R299CP	SP000301163	IPW50R299CPFKSA1	TO-247	500	299	2.5 ... 3.5	12.0
IPW50R350CP	SP000301164	IPW50R350CPFKSA1	TO-247	500	350	2.5 ... 3.5	10.0
IPW50R399CP	SP000259980	IPW50R399CPFKSA1	TO-247	500	399	2.5 ... 3.5	9.0

SMD = Surface Mounted Device

Type	Ordering Code	Orderable Part Number	Package	Data			
				V_{DS} V	$R_{DS(on)max}$ mΩ	$V_{GS(th)}$ V	I_D A

N-Channel MOSFETs

600V

BSP125	SP001058576	BSP125H6327XTSA1	SOT223	600	45000	1.3 ... 2.3	0.12
▼ BSP125	SP001058578	BSP125H6433XTMA1	SOT223	600	45000	1.3 ... 2.3	0.12
BSS127	SP000919332	BSS127H6327XTSA2	SOT23	600	500000	1.4 ... 2.6	0.023
BSS225	SP001047644	BSS225H6327FTSA1	SOT89	600	45000	1.3 ... 2.3	0.09

600V

C3 Series

◆ SPA20N60C3	SP000216354	SPA20N60C3XKSA1	TO-220 FullPAK	600	190	2.1 ... 3.9	20.7
◆ SPA15N60C3	SP000216325	SPA15N60C3XKSA1	TO-220 FullPAK	600	280	2.1 ... 3.9	15.0
◆ SPA11N60C3	SP000216312	SPA11N60C3XKSA1	TO-220 FullPAK	600	380	2.1 ... 3.9	11.0
◆ SPA07N60C3	SP000216303	SPA07N60C3XKSA1	TO-220 FullPAK	600	600	2.1 ... 3.9	7.3
◆ SPA06N60C3	SP000216301	SPA06N60C3XKSA1	TO-220 FullPAK	600	750	2.1 ... 3.9	6.2
◆ SPA04N60C3	SP000216299	SPA04N60C3XKSA1	TO-220 FullPAK	600	950	2.1 ... 3.9	4.5
◆ SPA03N60C3	SP000216296	SPA03N60C3XKSA1	TO-220 FullPAK	600	1400	2.1 ... 3.9	3.2
◆ SPB20N60C3	SP000013520	SPB20N60C3ATMA1	D ² PAK	600	190	2.1 ... 3.9	20.7
◆ SPB11N60C3	SP000013519	SPB11N60C3ATMA1	D ² PAK	600	380	2.1 ... 3.9	11.0
◆ SPB07N60C3	SP000013518	SPB07N60C3ATMA1	D ² PAK	600	600	2.1 ... 3.9	7.3
◆ SPB04N60C3	SP000013533	SPB04N60C3ATMA1	D ² PAK	600	950	2.1 ... 3.9	4.5
◆ SPB03N60C3	SP000013517	SPB03N60C3ATMA1	D ² PAK	600	1400	2.1 ... 3.9	3.2
◆ SPB02N60C3	SP000013516	SPB02N60C3ATMA1	D ² PAK	600	3000	2.1 ... 3.9	1.8
◆▼ SPD07N60C3	SP001117774	SPD07N60C3ATMA1	DPAK	600	600	2.1 ... 3.9	7.3
◆ SPD07N60C3	SP000313947	SPD07N60C3BTMA1	DPAK	600	600	2.1 ... 3.9	7.3
◆▼ SPD06N60C3	SP001117770	SPD06N60C3ATMA1	DPAK	600	750	2.1 ... 3.9	6.2
◆ SPD06N60C3	SP000307394	SPD06N60C3BTMA1	DPAK	600	750	2.1 ... 3.9	6.2
◆▼ SPD04N60C3	SP001117764	SPD04N60C3ATMA1	DPAK	600	950	2.1 ... 3.9	4.5
◆ SPD04N60C3	SP000313944	SPD04N60C3BTMA1	DPAK	600	950	2.1 ... 3.9	4.5
◆▼ SPD03N60C3	SP001117760	SPD03N60C3ATMA1	DPAK	600	1400	2.1 ... 3.9	3.2
◆ SPD03N60C3	SP000308772	SPD03N60C3BTMA1	DPAK	600	1400	2.1 ... 3.9	3.2
◆ SPD02N60C3	SP000308771	SPD02N60C3BTMA1	DPAK	600	3000	2.1 ... 3.9	1.8
◆ SPD01N60C3	SP000307382	SPD01N60C3BTMA1	DPAK	600	6000	2.1 ... 3.9	0.8
◆ SPI20N60C3	SP000014453	SPI20N60C3HKSA1	I ² PAK	600	190	2.1 ... 3.9	20.7
◆ SPI20N60C3	SP000681006	SPI20N60C3XKSA1	I ² PAK	600	190	2.1 ... 3.9	20.7
◆ SPI15N60C3	SP000014528	SPI15N60C3HKSA1	I ² PAK	600	280	2.1 ... 3.9	15.0
◆ SPI15N60C3	SP000680998	SPI15N60C3XKSA1	I ² PAK	600	280	2.1 ... 3.9	15.0
◆ SPI11N60C3	SP000013522	SPI11N60C3HKSA1	I ² PAK	600	380	2.1 ... 3.9	11.0
◆ SPI11N60C3	SP000680986	SPI11N60C3XKSA1	I ² PAK	600	380	2.1 ... 3.9	11.0
◆ SPI07N60C3	SP000013521	SPI07N60C3HKSA1	I ² PAK	600	600	2.1 ... 3.9	7.3
◆ SPI07N60C3	SP000680976	SPI07N60C3XKSA1	I ² PAK	600	600	2.1 ... 3.9	7.3
◆ SPP24N60C3	SP000014690	SPP24N60C3HKSA1	TO-220	600	160	2.1 ... 3.9	24.3
◆ SPP24N60C3	SP000681068	SPP24N60C3XKSA1	TO-220	600	160	2.1 ... 3.9	24.3
◆ SPP20N60C3	SP000013527	SPP20N60C3HKSA1	TO-220	600	190	2.1 ... 3.9	20.7
◆ SPP20N60C3	SP000681058	SPP20N60C3XKSA1	TO-220	600	190	2.1 ... 3.9	20.7
◆ SPP15N60C3	SP000014527	SPP15N60C3HKSA1	TO-220	600	280	2.1 ... 3.9	15.0
◆ SPP15N60C3	SP000681050	SPP15N60C3XKSA1	TO-220	600	280	2.1 ... 3.9	15.0
◆ SPP11N60C3	SP000013526	SPP11N60C3HKSA1	TO-220	600	380	2.1 ... 3.9	11.0
◆ SPP11N60C3	SP000681040	SPP11N60C3XKSA1	TO-220	600	380	2.1 ... 3.9	11.0
◆ SPP07N60C3	SP000013525	SPP07N60C3HKSA1	TO-220	600	440	2.1 ... 3.9	11.0
◆ SPP07N60C3	SP000681030	SPP07N60C3XKSA1	TO-220	600	440	2.1 ... 3.9	11.0
◆ SPP06N60C3	SP000014697	SPP06N60C3HKSA1	TO-220	600	600	2.1 ... 3.9	7.3

SMD = Surface Mounted Device

Power Semiconductors

Type	Ordering Code	Orderable Part Number	Package	Data			
				V_{DS}	$R_{DS(on)max}$	$V_{GS(th)}$	I_D
				V	m Ω	V	A

N-Channel MOSFETs

600V C3 Series (cont'd)

◆ SPP06N60C3	SP000681028	SPP06N60C3XKSA1	TO-220	600	600	2.1 ... 3.9	7.3
◆ SPP03N60C3	SP000013524	SPP03N60C3HKSA1	TO-220	600	750	2.1 ... 3.9	6.2
◆ SPP03N60C3	SP000681018	SPP03N60C3XKSA1	TO-220	600	750	2.1 ... 3.9	6.2
◆ SPP04N60C3	SP000013534	SPP04N60C3HKSA1	TO-220	600	950	2.1 ... 3.9	4.5
◆▼ SPP04N60C3	SP000681024	SPP04N60C3XKSA1	TO-220	600	950	2.1 ... 3.9	4.5
◆ SPP02N60C3	SP000013523	SPP02N60C3HKSA1	TO-220	600	3000	2.1 ... 3.9	1.8
◆ SPP02N60C3	SP000681014	SPP02N60C3XKSA1	TO-220	600	3000	2.1 ... 3.9	1.8
◆ SPS04N60C3	SP000307419	SPS04N60C3BKMA1	IPAK SL	600	950	2.1 ... 3.9	4.5
◆ SPS03N60C3	SP000307418	SPS03N60C3BKMA1	IPAK SL	600	1400	2.1 ... 3.9	3.2
◆ SPS02N60C3	SP000307410	SPS02N60C3BKMA1	IPAK SL	600	3000	2.1 ... 3.9	1.8
◆ SPS01N60C3	SP000307396	SPS01N60C3BKMA1	IPAK SL	600	6000	2.1 ... 3.9	0.8
◆ SPU07N60C3	SP000101635	SPU07N60C3BKMA1	IPAK	600	600	2.1 ... 3.9	7.3
◆ SPU04N60C3	SP000095850	SPU04N60C3BKMA1	IPAK	600	950	2.1 ... 3.9	4.5
◆ SPU03N60C3	SP000095849	SPU03N60C3BKMA1	IPAK	600	1400	2.1 ... 3.9	3.2
◆ SPU02N60C3	SP000015064	SPU02N60C3BKMA1	IPAK	600	3000	2.1 ... 3.9	1.8
◆ SPU01N60C3	SP000012110	SPU01N60C3BKMA1	IPAK	600	6000	2.1 ... 3.9	0.8
◆ SPW47N60C3	SP000013953	SPW47N60C3FKSA1	TO-247	600	70	2.1 ... 3.9	47.0
◆ SPW35N60C3	SP000014970	SPW35N60C3FKSA1	TO-247	600	100	2.1 ... 3.9	34.6
◆ SPW24N60C3	SP000014695	SPW24N60C3FKSA1	TO-247	600	160	2.1 ... 3.9	24.3
◆ SPW20N60C3	SP000013729	SPW20N60C3FKSA1	TO-247	600	190	2.1 ... 3.9	20.7
◆ SPW15N60C3	SP000014530	SPW15N60C3FKSA1	TO-247	600	280	2.1 ... 3.9	15.0
◆ SPW11N60C3	SP000013728	SPW11N60C3FKSA1	TO-247	600	380	2.1 ... 3.9	11.0

600V C6 Series

◆ IPA60R099C6	SP000658000	IPA60R099C6XKSA1	TO-220 FullIPAK	600	99	2.5 ... 3.5	38.0
◆ IPA60R125C6	SP000685848	IPA60R125C6XKSA1	TO-220 FullIPAK	600	125	2.5 ... 3.5	30.0
◆ IPA60R160C6	SP000652794	IPA60R160C6XKSA1	TO-220 FullIPAK	600	160	2.5 ... 3.5	23.8
◆ IPA60R190C6	SP000621152	IPA60R190C6XKSA1	TO-220 FullIPAK	600	190	2.5 ... 3.5	20.2
◆ IPA60R280C6	SP000645030	IPA60R280C6XKSA1	TO-220 FullIPAK	600	280	2.5 ... 3.5	13.8
◆ IPA60R380C6	SP000660632	IPA60R380C6XKSA1	TO-220 FullIPAK	600	380	2.5 ... 3.5	10.6
◆ IPA60R520C6	SP000645072	IPA60R520C6XKSA1	TO-220 FullIPAK	600	520	2.5 ... 3.5	8.1
◆ IPA60R600C6	SP000660624	IPA60R600C6XKSA1	TO-220 FullIPAK	600	600	2.5 ... 3.5	7.3
◆ IPA60R950C6	SP000629360	IPA60R950C6XKSA1	TO-220 FullIPAK	600	950	2.5 ... 3.5	4.4
◆ IPB60R099C6	SP000687468	IPB60R099C6ATMA1	D ² PAK	600	99	2.5 ... 3.5	38.0
◆ IPB60R125C6	SP000687456	IPB60R125C6ATMA1	D ² PAK	600	125	2.5 ... 3.5	30.0
◆ IPB60R160C6	SP000687552	IPB60R160C6ATMA1	D ² PAK	600	160	2.5 ... 3.5	23.8
◆ IPB60R190C6	SP000641916	IPB60R190C6ATMA1	D ² PAK	600	190	2.5 ... 3.5	20.2
◆ IPB60R280C6	SP000687550	IPB60R280C6ATMA1	D ² PAK	600	280	2.5 ... 3.5	13.8
◆ IPB60R380C6	SP000660634	IPB60R380C6ATMA1	D ² PAK	600	380	2.5 ... 3.5	10.6
◆ IPB60R600C6	SP000660626	IPB60R600C6ATMA1	D ² PAK	600	600	2.5 ... 3.5	7.3
◆ IPB60R950C6	SP000660620	IPB60R950C6ATMA1	D ² PAK	600	950	2.5 ... 3.5	4.4
◆▼ IPD60R380C6	SP001117716	IPD60R380C6ATMA1	DPAK	600	380	2.5 ... 3.5	10.6
◆ IPD60R380C6	SP000660628	IPD60R380C6BTMA1	DPAK	600	380	2.5 ... 3.5	10.6

SMD = Surface Mounted Device

Type	Ordering Code	Orderable Part Number	Package	Data			
				V_{DS} V	$R_{DS(on) max}$ mΩ	$V_{GS(th)}$ V	I_D A

N-Channel MOSFETs

600V
C6 Series
(cont'd)

◆▼	IPD60R520C6	SP001117722	IPD60R520C6ATMA1	DPAK	600	520	2.5 ... 3.5	8.1
◆	IPD60R520C6	SP000645070	IPD60R520C6BTMA1	DPAK	600	520	2.5 ... 3.5	8.1
◆▼	IPD60R600C6	SP001117726	IPD60R600C6ATMA1	DPAK	600	600	2.5 ... 3.5	7.3
◆	IPD60R600C6	SP000660622	IPD60R600C6BTMA1	DPAK	600	600	2.5 ... 3.5	7.3
◆▼	IPD60R950C6	SP001117730	IPD60R950C6ATMA1	DPAK	600	950	2.5 ... 3.5	12.0
◆	IPD60R950C6	SP000629368	IPD60R950C6BTMA1	DPAK	600	950	2.5 ... 3.5	12.0
◆	IPD60R1K4C6	SP000799134	IPD60R1K4C6BTMA1	DPAK	600	1400	2.5 ... 3.5	3.2
◆	IPD60R2K0C6	SP000799132	IPD60R2K0C6BTMA1	DPAK	600	2000	2.5 ... 3.5	2.4
◆▼	IPD60R3K3C6	SP001117718	IPD60R3K3C6ATMA1	DPAK	600	3300	2.5 ... 3.5	1.7
◆	IPD60R3K3C6	SP000799130	IPD60R3K3C6BTMA1	DPAK	600	3300	2.5 ... 3.5	1.7
◆	IPI60R190C6	SP000660618	IPI60R190C6XKSA1	I ² PAK	600	190	2.5 ... 3.5	20.2
◆	IPI60R280C6	SP000687554	IPI60R280C6XKSA1	I ² PAK	600	280	2.5 ... 3.5	10.6
◆	IPI60R380C6	SP000660630	IPI60R380C6XKSA1	I ² PAK	600	380	2.5 ... 3.5	10.6
◆	IPP60R074C6	SP000898652	IPP60R074C6XKSA1	TO-220	600	74	2.5 ... 3.5	57.7
◆	IPP60R099C6	SP000687556	IPP60R099C6XKSA1	TO-220	600	99	2.5 ... 3.5	38.0
◆	IPP60R125C6	SP000685844	IPP60R125C6XKSA1	TO-220	600	125	2.5 ... 3.5	30.0
◆	IPP60R160C6	SP000652796	IPP60R160C6XKSA1	TO-220	600	160	2.5 ... 3.5	23.8
◆	IPP60R190C6	SP000621158	IPP60R190C6XKSA1	TO-220	600	190	2.5 ... 3.5	20.2
◆	IPP60R280C6	SP000645028	IPP60R280C6XKSA1	TO-220	600	280	2.5 ... 3.5	13.8
◆	IPP60R380C6	SP000645062	IPP60R380C6XKSA1	TO-220	600	380	2.5 ... 3.5	10.6
◆	IPP60R520C6	SP000645068	IPP60R520C6XKSA1	TO-220	600	520	2.5 ... 3.5	8.1
◆	IPP60R600C6	SP000645074	IPP60R600C6XKSA1	TO-220	600	600	2.5 ... 3.5	7.3
◆	IPP60R950C6	SP000629364	IPP60R950C6XKSA1	TO-220	600	950	2.5 ... 3.5	4.4
◆	IPP60R1K4C6	SP000931536	IPP60R1K4C6XKSA1	TO-220	600	1400	2.5 ... 3.5	3.2
◆	IPW60R041C6	SP000718886	IPW60R041C6FKSA1	TO-247	600	41	2.5 ... 3.5	77.5
◆	IPW60R070C6	SP000645060	IPW60R070C6FKSA1	TO-247	600	70	2.5 ... 3.5	53.0
◆	IPW60R099C6	SP000641908	IPW60R099C6FKSA1	TO-247	600	99	2.5 ... 3.5	38.0
◆	IPW60R125C6	SP000641912	IPW60R125C6FKSA1	TO-247	600	125	2.5 ... 3.5	30.0
◆	IPW60R160C6	SP000652798	IPW60R160C6FKSA1	TO-247	600	160	2.5 ... 3.5	23.8
◆	IPW60R190C6	SP000621160	IPW60R190C6FKSA1	TO-247	600	190	2.5 ... 3.5	20.2
◆	IPW60R280C6	SP000645032	IPW60R280C6FKSA1	TO-247	600	280	2.5 ... 3.5	13.8
◆	IPU60R600C6	SP000931534	IPU60R600C6BKMA1	IPAK	600	600	2.5 ... 3.5	7.3
◆	IPU60R950C6	SP000931532	IPU60R950C6BKMA1	IPAK	600	950	2.5 ... 3.5	4.4
◆	IPU60R1K4C6	SP000931530	IPU60R1K4C6BKMA1	IPAK	600	1400	2.5 ... 3.5	3.2
◆	IPU60R2K0C6	SP000931528	IPU60R2K0C6BKMA1	IPAK	600	2000	2.5 ... 3.5	2.4

SMD = Surface Mounted Device

Power Semiconductors

Type	Ordering Code	Orderable Part Number	Package	Data			
				V_{DS}	$R_{DS(on)max}$	$V_{GS(th)}$	I_D
				V	mΩ	V	A

N-Channel MOSFETs

600V CP Series

IPA60R125CP	SP000095275	IPA60R125CPXKSA1	TO-220 FullPAK	600	125	2.5 ... 3.5	25.0
IPA60R165CP	SP000096437	IPA60R165CPXKSA1	TO-220 FullPAK	600	165	2.5 ... 3.5	21.0
IPA60R199CP	SP000094146	IPA60R199CPXKSA1	TO-220 FullPAK	600	199	2.5 ... 3.5	16.0
IPA60R250CP	SP000310226	IPA60R250CPXKSA1	TO-220 FullPAK	600	250	2.5 ... 3.5	12.0
IPA60R299CP	SP000096438	IPA60R299CPXKSA1	TO-220 FullPAK	600	299	2.5 ... 3.5	11.0
IPA60R385CP	SP000089316	IPA60R385CPXKSA1	TO-220 FullPAK	600	385	2.5 ... 3.5	9.0
IPA60R520CP	SP000405856	IPA60R520CPXKSA1	TO-220 FullPAK	600	520	2.5 ... 3.5	6.8
IPA60R600CP	SP000405884	IPA60R600CPXKSA1	TO-220 FullPAK	600	600	2.5 ... 3.5	6.1
IPB60R099CP	SP000088490	IPB60R099CPATMA1	D ² PAK	600	99	2.5 ... 3.5	31.0
IPB60R125CP	SP000297368	IPB60R125CPATMA1	D ² PAK	600	125	2.5 ... 3.5	25.0
IPB60R165CP	SP000096439	IPB60R165CPATMA1	D ² PAK	600	165	2.5 ... 3.5	21.0
IPB60R199CP	SP000223256	IPB60R199CPATMA1	D ² PAK	600	199	2.5 ... 3.5	16.0
IPB60R250CP	SP000358140	IPB60R250CPATMA1	D ² PAK	600	250	2.5 ... 3.5	12.0
IPB60R299CP	SP000301161	IPB60R299CPATMA1	D ² PAK	600	299	2.5 ... 3.5	11.0
IPB60R385CP	SP000228365	IPB60R385CPATMA1	D ² PAK	600	385	2.5 ... 3.5	9.0
IPB60R520CP	SP000405868	IPB60R520CPATMA1	D ² PAK	600	520	2.5 ... 3.5	6.8
IPB60R600CP	SP000405892	IPB60R600CPATMA1	D ² PAK	600	600	2.5 ... 3.5	6.1
▼ IPD60R385CP	SP000680638	IPD60R385CPATMA1	DPAK	600	385	2.5 ... 3.5	9.0
IPD60R385CP	SP000307381	IPD60R385CPBTMA1	DPAK	600	385	2.5 ... 3.5	9.0
▼ IPD60R520CP	SP000680640	IPD60R520CPATMA1	DPAK	600	520	2.5 ... 3.5	6.8
IPD60R520CP	SP000405852	IPD60R520CPBTMA1	DPAK	600	520	2.5 ... 3.5	6.8
IPD60R600CP	SP000405878	IPD60R600CPBTMA1	DPAK	600	600	2.5 ... 3.5	6.1
IPI60R099CP	SP000297356	IPI60R099CPXKSA1	I ² PAK	600	99	2.5 ... 3.5	31.0
IPI60R125CP	SP000297355	IPI60R125CPXKSA1	I ² PAK	600	125	2.5 ... 3.5	25.0
IPI60R165CP	SP000680744	IPI60R165CPXKSA1	I ² PAK	600	165	2.5 ... 3.5	21.0
IPI60R199CP	SP000103248	IPI60R199CPXKSA1	I ² PAK	600	199	2.5 ... 3.5	16.0
▼ IPI60R250CP	SP000358141	IPI60R250CPAKSA1	I ² PAK	600	250	2.5 ... 3.5	12.0
IPI60R299CP	SP000103249	IPI60R299CPXKSA1	I ² PAK	600	299	2.5 ... 3.5	11.0
IPI60R385CP	SP000103250	IPI60R385CPXKSA1	I ² PAK	600	385	2.5 ... 3.5	9.0
IPI60R520CP	SP000405872	IPI60R520CPAKSA1	I ² PAK	600	520	2.5 ... 3.5	6.8
IPI60R600CP	SP000405896	IPI60R600CPAKSA1	I ² PAK	600	600	2.5 ... 3.5	6.1
IPL60R199CP	SP000841892	IPL60R199CPAUMA1	ThinPAK 8x8	600	199	2.5 ... 3.5	16.4
IPL60R299CP	SP000841896	IPL60R299CPAUMA1	ThinPAK 8x8	600	299	2.5 ... 3.5	11.1
IPL60R385CP	SP000841898	IPL60R385CPAUMA1	ThinPAK 8x8	600	385	2.5 ... 3.5	9.0
IPP60R099CP	SP000057021	IPP60R099CPXKSA1	TO-220	600	99	2.5 ... 3.5	31.0
IPP60R125CP	SP000088488	IPP60R125CPXKSA1	TO-220	600	125	2.5 ... 3.5	25.0
IPP60R165CP	SP000084279	IPP60R165CPXKSA1	TO-220	600	165	2.5 ... 3.5	21.0
IPP60R199CP	SP000084278	IPP60R199CPXKSA1	TO-220	600	199	2.5 ... 3.5	16.0
IPP60R250CP	SP000358136	IPP60R250CPXKSA1	TO-220	600	250	2.5 ... 3.5	12.0

SMD = Surface Mounted Device

Type	Ordering Code	Orderable Part Number	Package	Data			
				V_{DS} V	$R_{DS(on) max}$ mΩ	$V_{GS(th)}$ V	I_D A

N-Channel MOSFETs**600V
CP Series
(cont'd)**

IPP60R299CP	SP000084280	IPP60R299CPXKSA1	TO-220	600	299	2.5 ... 3.5	11.0
IPP60R385CP	SP000082281	IPP60R385CPXKSA1	TO-220	600	385	2.5 ... 3.5	9.0
IPP60R520CP	SP000405860	IPP60R520CPXKSA1	TO-220	600	520	2.5 ... 3.5	6.8
IPP60R600CP	SP000405888	IPP60R600CPXKSA1	TO-220	600	600	2.5 ... 3.5	6.1
IPW60R045CP	SP000067149	IPW60R045CPFKSA1	TO-247	600	45	2.5 ... 3.5	60.0
IPW60R075CP	SP000358192	IPW60R075CPFKSA1	TO-247	600	75	2.5 ... 3.5	39.0
IPW60R099CP	SP000067147	IPW60R099CPFKSA1	TO-247	600	99	2.5 ... 3.5	31.0
IPW60R125CP	SP000088489	IPW60R125CPFKSA1	TO-247	600	125	2.5 ... 3.5	25.0
IPW60R165CP	SP000095483	IPW60R165CPFKSA1	TO-247	600	165	2.5 ... 3.5	21.0
IPW60R199CP	SP000089802	IPW60R199CPFKSA1	TO-247	600	199	2.5 ... 3.5	16.0
IPW60R250CP	SP000310511	IPW60R250CPFKSA1	TO-247	600	250	2.5 ... 3.5	12.0
IPW60R299CP	SP000103251	IPW60R299CPFKSA1	TO-247	600	299	2.5 ... 3.5	11.0

**600V
CFD Series**

SPA20N60CFD	SP000216361	SPA20N60CFDXKSA1	TO-220 FullPAK	600	220	3.0 ... 5.0	20.7
SPA15N60CFD	SP000264432	SPA15N60CFDXKSA1	TO-220 FullPAK	600	330	3.0 ... 5.0	15.0
SPA11N60CFD	SP000216317	SPA11N60CFDXKSA1	TO-220 FullPAK	600	440	3.0 ... 5.0	11.0
SPA07N60CFD	SP000264431	SPA07N60CFDXKSA1	TO-220 FullPAK	600	700	3.0 ... 5.0	6.6
■ SPI20N60CFD	SP000229995	SPI20N60CFDHKSA1	I ² PAK	600	220	3.0 ... 5.0	20.7
■ SPI20N60CFD	SP000681008	SPI20N60CFDXKSA1	I ² PAK	600	220	3.0 ... 5.0	20.7
■ SPI15N60CFD	SP000264433	SPI15N60CFDHKSA1	I ² PAK	600	330	3.0 ... 5.0	15.0
■ SPI15N60CFD	SP000681000	SPI15N60CFDXKSA1	I ² PAK	600	330	3.0 ... 5.0	15.0
■ SPI11N60CFD	SP000229994	SPI11N60CFDHKSA1	I ² PAK	600	440	3.0 ... 5.0	11.0
■ SPI11N60CFD	SP000680990	SPI11N60CFDXKSA1	I ² PAK	600	440	3.0 ... 5.0	11.0
■ SPP24N60CFD	SP000264426	SPP24N60CFDHKSA1	TO-220	600	185	3.0 ... 5.0	21.7
■ SPP24N60CFD	SP000681070	SPP24N60CFDXKSA1	TO-220	600	185	3.0 ... 5.0	21.7
SPP20N60CFD	SP000014475	SPP20N60CFDHKSA1	TO-220	600	220	3.0 ... 5.0	20.7
SPP20N60CFD	SP000681060	SPP20N60CFDXKSA1	TO-220	600	220	3.0 ... 5.0	20.7
SPP15N60CFD	SP000264425	SPP15N60CFDHKSA1	TO-220	600	330	3.0 ... 5.0	13.4
SPP15N60CFD	SP000681052	SPP15N60CFDXKSA1	TO-220	600	330	3.0 ... 5.0	13.4
SPP11N60CFD	SP000014533	SPP11N60CFDHKSA1	TO-220	600	385	3.0 ... 5.0	11.0
SPP11N60CFD	SP000681042	SPP11N60CFDXKSA1	TO-220	600	385	3.0 ... 5.0	11.0
■ SPP07N60CFD	SP000264424	SPP07N60CFDHKSA1	TO-220	600	600	3.0 ... 5.0	7.3
■ SPP07N60CFD	SP000681032	SPP07N60CFDXKSA1	TO-220	600	600	3.0 ... 5.0	7.3
SPW47N60CFD	SP000065376	SPW47N60CFDFKSA1	TO-247	600	80	3.0 ... 5.0	46
SPW35N60CFD	SP000065487	SPW35N60CFDFKSA1	TO-247	600	115	3.0 ... 5.0	34.1
SPW24N60CFD	SP000264428	SPW24N60CFDFKSA1	TO-247	600	185	3.0 ... 5.0	21.7
SPW20N60CFD	SP000014535	SPW20N60CFDFKSA1	TO-247	600	220	3.0 ... 5.0	20.7
SPW15N60CFD	SP000264429	SPW15N60CFDFKSA1	TO-247	600	330	3.0 ... 5.0	13.4
SPW11N60CFD	SP000014534	SPW11N60CFDFKSA1	TO-247	600	440	3.0 ... 5.0	11.0
SPW07N60CFD	SP000264430	SPW07N60CFDFKSA1	TO-247	600	700	3.0 ... 5.0	6.6

SMD = Surface Mounted Device

Power Semiconductors

Type	Ordering Code	Orderable Part Number	Package	Data			
				V_{DS}	$R_{DS(on)max}$	$V_{GS(th)}$	I_D
				V	mΩ	V	A

N-Channel MOSFETs

600V E6 Series

◆	IPA60R190E6	SP000797380	IPA60R190E6XKSA1	TO-220 FullIPAK	600	190	2.5 ... 3.5	20.2
◆	IPA60R280E6	SP000797292	IPA60R280E6XKSA1	TO-220 FullIPAK	600	280	2.5 ... 3.5	13.8
◆	IPA60R380E6	SP000795300	IPA60R380E6XKSA1	TO-220 FullIPAK	600	380	2.5 ... 3.5	10.6
◆	IPA60R450E6	SP000842484	IPA60R450E6XKSA1	TO-220 FullIPAK	600	450	2.5 ... 3.5	9.2
◆	IPA60R520E6	SP000797614	IPA60R520E6XKSA1	TO-220 FullIPAK	600	520	2.5 ... 3.5	8.1
◆	IPA60R600E6	SP000797298	IPA60R600E6XKSA1	TO-220 FullIPAK	600	600	2.5 ... 3.5	7.3
◆	IPA60R750E6	SP000842480	IPA60R750E6XKSA1	TO-220 FullIPAK	600	750	2.5 ... 3.5	5.7
◆▼	IPD60R380E6	SP001105392	IPD60R380E6BTMA1	DKPAK	600	380	2.5 ... 3.5	10.6
◆▼	IPD60R450E6	SP001117720	IPD60R450E6ATMA1	DKPAK	600	450	2.5 ... 3.5	9.2
◆	IPD60R450E6	SP000801092	IPD60R450E6BTMA1	DKPAK	600	450	2.5 ... 3.5	9.2
◆	IPD60R600E6	SP000797374	IPD60R600E6BTMA1	DKPAK	600	600	2.5 ... 3.5	7.3
◆▼	IPD60R750E6	SP001117728	IPD60R750E6ATMA1	DKPAK	600	750	2.5 ... 3.5	5.7
◆	IPD60R750E6	SP000801094	IPD60R750E6BTMA1	DKPAK	600	750	2.5 ... 3.5	5.7
◆	IPP60R190E6	SP000797378	IPP60R190E6XKSA1	TO-220	600	190	2.5 ... 3.5	20.2
◆	IPP60R280E6	SP000797290	IPP60R280E6XKSA1	TO-220	600	280	2.5 ... 3.5	13.8
◆	IPP60R380E6	SP000795310	IPP60R380E6XKSA1	TO-220	600	380	2.5 ... 3.5	10.6
◆	IPP60R450E6	SP000842486	IPP60R450E6XKSA1	TO-220	600	450	2.5 ... 3.5	9.2
◆	IPP60R520E6	SP000797294	IPP60R520E6XKSA1	TO-220	600	520	2.5 ... 3.5	8.1
◆	IPP60R600E6	SP000797630	IPP60R600E6XKSA1	TO-220	600	600	2.5 ... 3.5	7.3
◆	IPP60R750E6	SP000842482	IPP60R750E6XKSA1	TO-220	600	750	2.5 ... 3.5	5.7
◆	IPW60R190E6	SP000797384	IPW60R190E6FKSA1	TO-247	600	190	2.5 ... 3.5	20.2
◆	IPW60R280E6	SP000797382	IPW60R280E6FKSA1	TO-247	600	280	2.5 ... 3.5	13.8

600V P6 Series

◆▼	IPA60R160P6	SP001017082	IPA60R160P6XKSA1	TO-220 FullIPAK	600	160	3.5 ... 4.5	23.8
◆▼	IPA60R190P6	SP001017080	IPA60R190P6XKSA1	TO-220 FullIPAK	600	190	3.5 ... 4.5	20.2
◆▼	IPA60R230P6	SP001017078	IPA60R230P6XKSA1	TO-220 FullIPAK	600	230	3.5 ... 4.5	16.8
◆▼	IPA60R280P6	SP001017076	IPA60R280P6XKSA1	TO-220 FullIPAK	600	280	3.5 ... 4.5	13.8
◆▼	IPA60R330P6	SP001017074	IPA60R330P6XKSA1	TO-220 FullIPAK	600	330	3.5 ... 4.5	12.0
◆▼	IPA60R380P6	SP001017072	IPA60R380P6XKSA1	TO-220 FullIPAK	600	380	3.5 ... 4.5	10.6
◆▼	IPA60R600P6	SP001017070	IPA60R600P6XKSA1	TO-220 FullIPAK	600	600	3.5 ... 4.5	7.3
◆▼	IPD60R380P6	SP001017052	IPD60R380P6BTMA1	DKPAK	600	380	3.5 ... 4.5	10.6
◆▼	IPD60R380P6	SP001135814	IPD60R380P6ATMA1	DKPAK	600	380	3.5 ... 4.5	10.6
◆▼	IPD60R600P6	SP001017050	IPD60R600P6BTMA1	DKPAK	600	600	3.5 ... 4.5	7.3
◆▼	IPP60R160P6	SP001017068	IPP60R160P6XKSA1	TO-220	600	160	3.5 ... 4.5	23.8
◆▼	IPP60R190P6	SP001017066	IPP60R190P6XKSA1	TO-220	600	190	3.5 ... 4.5	20.2
◆▼	IPP60R230P6	SP001017064	IPP60R230P6XKSA1	TO-220	600	230	3.5 ... 4.5	16.8
◆▼	IPP60R280P6	SP001017062	IPP60R280P6XKSA1	TO-220	600	280	3.5 ... 4.5	13.8
◆▼	IPP60R330P6	SP001017060	IPP60R330P6XKSA1	TO-220	600	330	3.5 ... 4.5	12.0
◆▼	IPP60R380P6	SP001017058	IPP60R380P6XKSA1	TO-220	600	380	3.5 ... 4.5	10.6
◆▼	IPP60R600P6	SP001017054	IPP60R600P6XKSA1	TO-220	600	600	3.5 ... 4.5	7.3
◆▼	IPW60R160P6	SP001017092	IPW60R160P6FKSA1	TO-247	600	160	3.5 ... 4.5	23.8
◆▼	IPW60R190P6	SP001017090	IPW60R190P6FKSA1	TO-247	600	190	3.5 ... 4.5	20.2
◆▼	IPW60R230P6	SP001017088	IPW60R230P6FKSA1	TO-247	600	230	3.5 ... 4.5	16.8
◆▼	IPW60R280P6	SP001017086	IPW60R280P6FKSA1	TO-247	600	280	3.5 ... 4.5	13.8
◆▼	IPW60R330P6	SP001017084	IPW60R330P6FKSA1	TO-247	600	330	3.5 ... 4.5	12.0

SMD = Surface Mounted Device

Type	Ordering Code	Orderable Part Number	Package	Data			
				V_{DS} V	$R_{DS(on) max}$ mΩ	$V_{GS(th)}$ V	I_D A

N-Channel MOSFETs

**650V
C3 Series**

◆ SPA20N65C3	SP000216362	SPA20N65C3XKSA1	TO-220 FullPAK	650	190	2.1 ... 3.9	20.7
◆ SPA15N65C3	SP000293730	SPA15N65C3XKSA1	TO-220 FullPAK	650	280	2.1 ... 3.9	15.0
◆ SPA11N65C3	SP000216318	SPA11N65C3XKSA1	TO-220 FullPAK	650	380	2.1 ... 3.9	11.0
◆ SPA07N65C3	SP000216305	SPA07N65C3XKSA1	TO-220 FullPAK	650	600	2.1 ... 3.9	7.3
◆ SPI20N65C3	SP000014525	SPI20N65C3HKSA1	l ² PAK	650	190	2.1 ... 3.9	20.7
◆ SPI20N65C3	SP000681010	SPI20N65C3XKSA1	l ² PAK	650	190	2.1 ... 3.9	20.7
◆ SPI15N65C3	SP000294825	SPI15N65C3HKSA1	l ² PAK	650	280	2.1 ... 3.9	15.0
◆ SPI15N65C3	SP000681002	SPI15N65C3XKSA1	l ² PAK	650	280	2.1 ... 3.9	15.0
◆ SPI11N65C3	SP000014526	SPI11N65C3HKSA1	l ² PAK	650	380	2.1 ... 3.9	11.0
◆ SPI11N65C3	SP000680994	SPI11N65C3XKSA1	l ² PAK	650	380	2.1 ... 3.9	11.0
◆ SPI07N65C3	SP000014632	SPI07N65C3HKSA1	l ² PAK	650	600	2.1 ... 3.9	7.3
◆ SPI07N65C3	SP000680982	SPI07N65C3XKSA1	l ² PAK	650	600	2.1 ... 3.9	7.3
◆ SPP20N65C3	SP000014369	SPP20N65C3HKSA1	TO-220	650	190	2.1 ... 3.9	20.7
◆ SPP20N65C3	SP000681064	SPP20N65C3XKSA1	TO-220	650	190	2.1 ... 3.9	20.7
◆ SPP15N65C3	SP000294824	SPP15N65C3HKSA1	TO-220	650	280	2.1 ... 3.9	15.0
◆ SPP15N65C3	SP000681054	SPP15N65C3XKSA1	TO-220	650	280	2.1 ... 3.9	15.0
◆ SPP11N65C3	SP000014371	SPP11N65C3HKSA1	TO-220	650	380	2.1 ... 3.9	11.0
◆ SPP11N65C3	SP000681046	SPP11N65C3XKSA1	TO-220	650	380	2.1 ... 3.9	11.0
◆ SPP07N65C3	SP000014631	SPP07N65C3HKSA1	TO-220	650	600	2.1 ... 3.9	7.3
◆ SPP07N65C3	SP000681036	SPP07N65C3XKSA1	TO-220	650	600	2.1 ... 3.9	7.3
◆ SPW47N65C3	SP000274751	SPW47N65C3FKSA1	TO-247	650	70	2.1 ... 3.9	47

**650V
C6 Series**

◆ IPA65R099C6	SP000895220	IPA65R099C6XKSA1	TO-220 FullPAK	650	99	2.5 ... 3.5	38.0
◆ IPA65R190C6	SP000863892	IPA65R190C6XKSA1	TO-220 FullPAK	650	190	2.5 ... 3.5	20.2
◆ IPA65R280C6	SP000720898	IPA65R280C6XKSA1	TO-220 FullPAK	650	280	2.5 ... 3.5	13.8
◆ IPA65R380C6	SP000720896	IPA65R380C6XKSA1	TO-220 FullPAK	650	380	2.5 ... 3.5	10.6
◆ IPA65R600C6	SP000850502	IPA65R600C6XKSA1	TO-220 FullPAK	650	600	2.5 ... 3.5	7.3
◆ IPB65R099C6	SP000895224	IPB65R099C6ATMA1	D ² PAK	650	99	2.5 ... 3.5	38.0
◆ IPB65R190C6	SP000863890	IPB65R190C6ATMA1	D ² PAK	650	190	2.5 ... 3.5	20.2
◆ IPB65R280C6	SP000745030	IPB65R280C6ATMA1	D ² PAK	650	280	2.5 ... 3.5	13.8
◆ IPB65R380C6	SP000785084	IPB65R380C6ATMA1	D ² PAK	650	380	2.5 ... 3.5	10.6
◆ IPB65R600C6	SP000794382	IPB65R600C6ATMA1	D ² PAK	650	600	2.5 ... 3.5	7.3
◆ IPD65R250C6	SP000898654	IPD65R250C6XTMA1	DPAK	650	250	2.5 ... 3.5	16.1
◆ IPD65R380C6	SP001117734	IPD65R380C6ATMA1	DPAK	650	380	2.5 ... 3.5	10.6
◆ IPD65R380C6	SP000745022	IPD65R380C6BTMA1	DPAK	650	380	2.5 ... 3.5	10.6
◆ IPD65R600C6	SP000745020	IPD65R600C6BTMA1	DPAK	650	600	2.5 ... 3.5	7.3
◆ IPD65R950C6	SP001107082	IPD65R950C6ATMA1	DPAK	650	950	2.5 ... 3.5	3.9
◆ IPD65R1K4C6	SP001107078	IPD65R1K4C6ATMA1	DPAK	650	1400	2.5 ... 3.5	2.8
◆ IPI65R099C6	SP000895222	IPI65R099C6XKSA1	l ² PAK	650	99	2.5 ... 3.5	38.0
◆ IPI65R190C6	SP000863900	IPI65R190C6XKSA1	l ² PAK	650	190	2.5 ... 3.5	20.2
◆ IPI65R280C6	SP000785056	IPI65R280C6XKSA1	l ² PAK	650	280	2.5 ... 3.5	13.8
◆ IPI65R380C6	SP000785080	IPI65R380C6XKSA1	l ² PAK	650	380	2.5 ... 3.5	10.6
◆ IPI65R600C6	SP000850504	IPI65R600C6XKSA1	l ² PAK	650	600	2.5 ... 3.5	7.3
◆ IPP65R074C6	SP000898650	IPP65R074C6XKSA1	TO-220	650	74	2.5 ... 3.5	57.7
◆ IPP65R099C6	SP000895218	IPP65R099C6XKSA1	TO-220	650	99	2.5 ... 3.5	38.0

SMD = Surface Mounted Device

Power Semiconductors

Type	Ordering Code	Orderable Part Number	Package	Data			
				V_{DS}	$R_{DS(on)max}$	$V_{GS(th)}$	I_D
				$m\Omega$	V	A	

N-Channel MOSFETs

650V C6 Series (cont'd)

◆	IPP65R190C6	SP000849360	IPP65R190C6XKSA1	TO-220	650	190	2.5 ... 3.5	20.2
◆	IPP65R280C6	SP000785058	IPP65R280C6XKSA1	TO-220	650	280	2.5 ... 3.5	13.8
◆▼	IPP65R380C6	SP000785082	IPP65R380C6XKSA1	TO-220	650	380	2.5 ... 3.5	10.6
◆	IPP65R600C6	SP000661310	IPP65R600C6XKSA1	TO-220	650	600	2.5 ... 3.5	7.3
◆	IPS65R1K4C6	SP000991120	IPS65R1K4C6AKMA1	IPAK SL	650	1400	2.5 ... 3.5	3.2
◆	IPS65R950C6	SP000991122	IPS65R950C6AKMA1	IPAK SL	650	950	2.5 ... 3.5	4.5
◆	IPW65R037C6	SP000756284	IPW65R037C6FKSA1	TO-247	650	37	2.5 ... 3.5	83.2
◆	IPW65R070C6	SP000745034	IPW65R070C6FKSA1	TO-247	650	70	2.5 ... 3.5	53.5
◆	IPW65R099C6	SP000896396	IPW65R099C6FKSA1	TO-247	650	115	2.5 ... 3.5	38.0
◆	IPW65R190C6	SP000863902	IPW65R190C6FKSA1	TO-247	600	190	2.5 ... 3.5	20.2
◆	IPW65R280C6	SP000785060	IPW65R280C6FKSA1	TO-247	600	280	2.5 ... 3.5	13.8

650V C7 Series

◆▼	IPA65R045C7	SP001080092	IPA65R045C7XKSA1	TO-220 FullIPAK	650	45	3.0 ... 4.0	46.0
◆▼	IPA65R065C7	SP001080114	IPA65R065C7XKSA1	TO-220 FullIPAK	650	65	3.0 ... 4.0	33.0
◆▼	IPA65R095C7	SP001080126	IPA65R095C7XKSA1	TO-220 FullIPAK	650	95	3.0 ... 4.0	24.0
◆▼	IPA65R125C7	SP001080136	IPA65R125C7XKSA1	TO-220 FullIPAK	650	125	3.0 ... 4.0	18.0
◆▼	IPA65R190C7	SP001080140	IPA65R190C7XKSA1	TO-220 FullIPAK	650	190	3.0 ... 4.0	13.0
◆▼	IPA65R225C7	SP001080144	IPA65R225C7XKSA1	TO-220 FullIPAK	650	225	3.0 ... 4.0	11.0
◆▼	IPB65R045C7	SP000929420	IPB65R045C7ATMA1	D ² PAK	650	45	3.0 ... 4.0	46.0
◆▼	IPB65R065C7	SP001080110	IPB65R065C7ATMA1	D ² PAK	650	65	3.0 ... 4.0	33.0
◆▼	IPB65R095C7	SP001080124	IPB65R095C7ATMA1	D ² PAK	650	95	3.0 ... 4.0	24.0
◆▼	IPB65R125C7	SP001080134	IPB65R125C7ATMA1	D ² PAK	650	125	3.0 ... 4.0	18.0
◆▼	IPB65R190C7	SP000929424	IPB65R190C7ATMA1	D ² PAK	650	190	3.0 ... 4.0	13.0
◆▼	IPB65R225C7	SP000929480	IPB65R225C7ATMA1	D ² PAK	650	225	3.0 ... 4.0	11.0
◆▼	IPD65R190C7	SP000928648	IPD65R190C7ATMA1	DPAK	650	190	3.0 ... 4.0	13.0
◆▼	IPD65R225C7	SP000929430	IPD65R225C7ATMA1	DPAK	650	225	3.0 ... 4.0	11.0
◆▼	IPL65R130C7	SP001032724	IPL65R130C7AUMA1	ThinPAK 8x8	650	130	3.0 ... 4.0	15.0
◆▼	IPL65R230C7	SP001032728	IPL65R230C7AUMA1	ThinPAK 8x8	650	230	3.0 ... 4.0	10.0
◆▼	IPP65R045C7	SP000929422	IPP65R045C7XKSA1	TO-220	650	45	3.0 ... 4.0	46.0
◆▼	IPP65R065C7	SP001080100	IPP65R065C7XKSA1	TO-220	650	65	3.0 ... 4.0	33.0
◆▼	IPP65R095C7	SP001080122	IPP65R095C7XKSA1	TO-220	650	95	3.0 ... 4.0	24.0
◆▼	IPP65R125C7	SP001080132	IPP65R125C7XKSA1	TO-220	650	125	3.0 ... 4.0	18.0
◆▼	IPP65R190C7	SP000929426	IPP65R190C7FKSA1	TO-220	650	190	3.0 ... 4.0	13.0
◆▼	IPP65R225C7	SP000929432	IPP65R225C7XKSA1	TO-220	650	225	3.0 ... 4.0	11.0
◆▼	IPW65R019C7	SP000928646	IPW65R019C7FKSA1	TO-247	650	19	3.0 ... 4.0	75.0
◆▼	IPW65R045C7	SP000929412	IPW65R045C7FKSA1	TO-247	650	45	3.0 ... 4.0	46.0
◆▼	IPW65R065C7	SP001080116	IPW65R065C7XKSA1	TO-247	650	65	3.0 ... 4.0	33.0
◆▼	IPW65R095C7	SP001080128	IPW65R095C7XKSA1	TO-247	650	95	3.0 ... 4.0	24.0
◆▼	IPW65R125C7	SP001080138	IPW65R125C7XKSA1	TO-247	650	125	3.0 ... 4.0	18.0
◆▼	IPW65R190C7	SP001080142	IPW65R190C7XKSA1	TO-247	650	190	3.0 ... 4.0	13.0
◆▼	IPZ65R019C7	SP001024002	IPZ65R019C7XKSA1	TO-247-4	650	19	3.0 ... 4.0	75.0
◆▼	IPZ65R045C7	SP001024004	IPZ65R045C7XKSA1	TO-247-4	650	45	3.0 ... 4.0	46.0
◆▼	IPZ65R065C7	SP001080120	IPZ65R065C7XKSA1	TO-247-4	650	65	3.0 ... 4.0	33.0
◆▼	IPZ65R095C7	SP001080130	IPZ65R095C7XKSA1	TO-247-4	650	95	3.0 ... 4.0	24.0

SMD = Surface Mounted Device

Type	Ordering Code	Orderable Part Number	Package	Data			
				V_{DS} V	$R_{DS(on)max}$ mΩ	$V_{GS(th)}$ V	I_D A

N-Channel MOSFETs

650V
CFD Series

IPA65R110CFD	SP000895230	IPA65R110CFDXKSA1	TO-220 FullPAK	650	110	3.5... 4.5	31.2
IPA65R150CFD	SP000907026	IPA65R150CFDXKSA1	TO-220 FullPAK	650	150	3.5... 4.5	22.4
IPA65R190CFD	SP000905382	IPA65R190CFDXKSA1	TO-220 FullPAK	650	190	3.5... 4.5	17.5
IPA65R310CFD	SP000890320	IPA65R310CFDXKSA1	TO-220 FullPAK	650	310	3.5... 4.5	11.4
IPA65R420CFD	SP000890322	IPA65R420CFDXKSA1	TO-220 FullPAK	650	420	3.5... 4.5	8.7
IPA65R660CFD	SP000838284	IPA65R660CFDXKSA1	TO-220 FullPAK	650	660	3.5... 4.5	6.0
IPB65R110CFD	SP000896400	IPB65R110CFDATMA1	D ² PAK	650	110	3.5... 4.5	31.2
IPB65R150CFD	SP000907034	IPB65R150CFDATMA1	D ² PAK	650	150	3.5... 4.5	22.4
IPB65R190CFD	SP000905378	IPB65R190CFDATMA1	D ² PAK	650	190	3.5... 4.5	17.5
IPB65R310CFD	SP000745032	IPB65R310CFDATMA1	D ² PAK	650	310	3.5... 4.5	11.4
IPB65R420CFD	SP000890680	IPB65R420CFDATMA1	D ² PAK	650	420	3.5... 4.5	8.7
▼ IPB65R660CFD	SP000861698	IPB65R660CFDATMA1	D ² PAK	650	660	3.5... 4.5	6.0
▼ IPD65R420CFD	SP001117738	IPD65R420CFDATMA1	DPAK	650	420	3.5... 4.5	8.7
IPD65R420CFD	SP000891704	IPD65R420CFDBTMA1	DPAK	650	420	3.5... 4.5	8.7
▼ IPD65R660CFD	SP001117748	IPD65R660CFDATMA1	DPAK	650	660	3.5... 4.5	6.0
IPD65R660CFD	SP000745024	IPD65R660CFDBTMA1	DPAK	650	660	3.5... 4.5	6.0
▼ IPD65R950CFD	SP001117750	IPD65R950CFDATMA1	DPAK	650	950	3.5... 4.5	3.9
IPD65R950CFD	SP000953124	IPD65R950CFDBTMA1	DPAK	650	950	3.5... 4.5	3.9
▼ IPD65R1K4CFD	SP001117732	IPD65R1K4CFDATMA1	DPAK	650	1400	3.5... 4.5	2.8
IPD65R1K4CFD	SP000953126	IPD65R1K4CFDBTMA1	DPAK	650	1400	3.5... 4.5	2.8
IPI65R110CFD	SP000896398	IPI65R110CFDXKSA1	I ² PAK	650	110	3.5... 4.5	31.2
IPI65R150CFD	SP000907028	IPI65R150CFDXKSA1	I ² PAK	650	150	3.5... 4.5	22.4
IPI65R190CFD	SP000905386	IPI65R190CFDXKSA1	I ² PAK	650	190	3.5... 4.5	17.5
IPI65R310CFD	SP000891700	IPI65R310CFDXKSA1	I ² PAK	650	310	3.5... 4.5	11.4
IPI65R420CFD	SP000891702	IPI65R420CFDXKSA1	I ² PAK	650	420	3.5... 4.5	8.7
IPI65R660CFD	SP000861696	IPI65R660CFDXKSA1	I ² PAK	650	660	3.5... 4.5	6.0
▼ IPL65R340CFD	SP000949258	IPL65R340CFDAUMA1	ThinPAK 8x8	650	340	3.5... 4.5	10.9
▼ IPL65R460CFD	SP000949260	IPL65R460CFDAUMA1	ThinPAK 8x8	650	460	3.5... 4.5	8.3
▼ IPL65R725CFD	SP000949266	IPL65R725CFDAUMA1	ThinPAK 8x8	650	725	3.5... 4.5	5.8
IPP65R110CFD	SP000895226	IPP65R110CFDXKSA1	TO-220	650	110	3.5... 4.5	31.2
IPP65R150CFD	SP000907024	IPP65R150CFDXKSA1	TO-220	650	150	3.5... 4.5	22.4
IPP65R190CFD	SP000881160	IPP65R190CFDXKSA1	TO-220	650	190	3.5... 4.5	17.5
IPP65R310CFD	SP000745028	IPP65R310CFDXKSA1	TO-220	650	310	3.5... 4.5	11.4
IPP65R420CFD	SP000876824	IPP65R420CFDXKSA1	TO-220	650	420	3.5... 4.5	8.7
IPP65R660CFD	SP000745026	IPP65R660CFDXKSA1	TO-220	650	660	3.5... 4.5	6.0
IPW65R041CFD	SP000756288	IPW65R041CFDFKSA1	TO-247	650	41	3.5... 4.5	68.5
IPW65R080CFD	SP000745036	IPW65R080CFDFKSA1	TO-247	650	80	3.5... 4.5	43.3
IPW65R110CFD	SP000895232	IPW65R110CFDFKSA1	TO-247	650	110	3.5... 4.5	31.2
IPW65R150CFD	SP000907038	IPW65R150CFDFKSA1	TO-247	650	150	3.5... 4.5	22.4
IPW65R190CFD	SP000905376	IPW65R190CFDFKSA1	TO-247	650	190	3.5... 4.5	17.5
IPW65R310CFD	SP000890688	IPW65R310CFDFKSA1	TO-247	650	310	3.5... 4.5	11.4
IPW65R420CFD	SP000890686	IPW65R420CFDFKSA1	TO-247	650	420	3.5... 4.5	8.7
IPW65R660CFD	SP000861700	IPW65R660CFDFKSA1	TO-247	650	660	3.5... 4.5	6.0

SMD = Surface Mounted Device

Power Semiconductors

Type	Ordering Code	Orderable Part Number	Package	Data			
				V_{DS}	$R_{DS(on)max}$	$V_{GS(th)}$	I_D
				$m\Omega$	V	A	

N-Channel MOSFETs

650V E6 Series

◆ IPA65R190E6	SP000863904	IPA65R190E6XKSA1	TO-220 FullPAK	650	190	2.5 ... 3.5	20.2
◆ IPA65R280E6	SP000795276	IPA65R280E6XKSA1	TO-220 FullPAK	650	280	2.5 ... 3.5	13.8
◆ IPA65R380E6	SP000795282	IPA65R380E6XKSA1	TO-220 FullPAK	650	380	2.5 ... 3.5	10.6
◆ IPA65R600E6	SP000799140	IPA65R600E6XKSA1	TO-220 FullPAK	650	600	2.5 ... 3.5	7.3
◆▼ IPB65R280E6	SP000795274	IPB65R280E6ATMA1	D ² PAK	650	280	2.5 ... 3.5	13.8
◆ IPD65R250E6	SP000898656	IPD65R250E6XTMA1	DDPAK	650	250	2.5 ... 3.5	16.1
◆▼ IPD65R380E6	SP001117736	IPD65R380E6ATMA1	DDPAK	650	380	2.5 ... 3.5	10.6
◆ IPD65R380E6	SP000795278	IPD65R380E6BTMA1	DDPAK	650	380	2.5 ... 3.5	10.6
◆▼ IPD65R600E6	SP001117096	IPD65R600E6ATMA1	DDPAK	650	600	2.5 ... 3.5	7.3
◆ IPD65R600E6	SP000800216	IPD65R600E6BTMA1	DDPAK	650	600	2.5 ... 3.5	7.3
◆▼ IPI65R280E6	SP000795270	IPI65R280E6XKSA1	I ² PAK	650	280	2.5 ... 3.5	13.8
◆ IPP65R190E6	SP000849876	IPP65R190E6XKSA1	TO-220	650	190	2.5 ... 3.5	20.2
◆ IPP65R280E6	SP000795268	IPP65R280E6XKSA1	TO-220	650	280	2.5 ... 3.5	13.8
◆▼ IPP65R380E6	SP000795280	IPP65R380E6XKSA1	TO-220	650	380	2.5 ... 3.5	10.6
◆ IPP65R600E6	SP000850500	IPP65R600E6XKSA1	TO-220	650	600	2.5 ... 3.5	7.3
◆ IPW65R190E6	SP000863906	IPW65R190E6FKSA1	TO-247	650	190	2.5 ... 3.5	20.2
◆ IPW65R280E6	SP000795272	IPW65R280E6FKSA1	TO-247	650	280	2.5 ... 3.5	13.8

800V

BSP300	SP001058720	BSP300H6327XUSA1	SOT223	800	20000	2.1 ... 4.0	0.19
--------	-------------	------------------	--------	-----	-------	-------------	------

800V C3 Series

◆ SPA17N80C3	SP000216353	SPA17N80C3XKSA1	TO-220 FullPAK	800	290	2.1 ... 3.9	17
◆ SPA11N80C3	SP000216320	SPA11N80C3XKSA1	TO-220 FullPAK	800	450	2.1 ... 3.9	11
◆ SPA08N80C3	SP000216310	SPA08N80C3XKSA1	TO-220 FullPAK	800	650	2.1 ... 3.9	8.0
◆ SPA06N80C3	SP000216302	SPA06N80C3XKSA1	TO-220 FullPAK	800	900	2.1 ... 3.9	6.0
◆ SPA04N80C3	SP000216300	SPA04N80C3XKSA1	TO-220 FullPAK	800	1300	2.1 ... 3.9	4.0
◆ SPA02N80C3	SP000216295	SPA02N80C3XKSA1	TO-220 FullPAK	800	2700	2.1 ... 3.9	2.0
◆ SPB17N80C3	SP000013370	SPB17N80C3ATMA1	D ² PAK	800	290	2.1 ... 3.9	17.0
◆▼ SPD06N80C3	SP001117772	SPD06N80C3ATMA1	DDPAK	800	900	2.1 ... 3.9	6.0
◆ SPD06N80C3	SP000318350	SPD06N80C3BTMA1	DDPAK	800	900	2.1 ... 3.9	6.0
◆▼ SPD04N80C3	SP001117768	SPD04N80C3ATMA1	DDPAK	800	1300	2.1 ... 3.9	4.0
◆ SPD04N80C3	SP000315410	SPD04N80C3BTMA1	DDPAK	800	1300	2.1 ... 3.9	4.0
◆▼ SPD02N80C3	SP001117754	SPD02N80C3ATMA1	DDPAK	800	2700	2.1 ... 3.9	2.0
◆ SPD02N80C3	SP000315409	SPD02N80C3BTMA1	DDPAK	800	2700	2.1 ... 3.9	2.0
◆ SPI08N80C3	SP000683148	SPI08N80C3XKSA1	I ² PAK	800	650	2.1 ... 3.9	8.0
◆ SPP17N80C3	SP000683164	SPP17N80C3XKSA1	TO-220	800	290	2.1 ... 3.9	17.0
◆ SPP11N80C3	SP000683158	SPP11N80C3XKSA1	TO-220	800	450	2.1 ... 3.9	11.0
◆ SPP08N80C3	SP000683156	SPP08N80C3XKSA1	TO-220	800	650	2.1 ... 3.9	8.0
◆ SPP06N80C3	SP000683154	SPP06N80C3XKSA1	TO-220	800	900	2.1 ... 3.9	6.0
◆ SPP04N80C3	SP000683152	SPP04N80C3XKSA1	TO-220	800	1300	2.1 ... 3.9	4.0
◆ SPP02N80C3	SP000683150	SPP02N80C3XKSA1	TO-220	800	2700	2.1 ... 3.9	2.0
◆ SPW55N80C3	SP000849356	SPW55N80C3FKSA1	TO-247	800	85	2.1 ... 3.9	54.9
◆ SPW17N80C3	SP000013369	SPW17N80C3FKSA1	TO-247	800	290	2.1 ... 3.9	17.0
◆ SPW11N80C3	SP000013703	SPW11N80C3FKSA1	TO-247	800	450	2.1 ... 3.9	11.0

SMD = Surface Mounted Device

Type	Ordering Code	Orderable Part Number	Package	Data			
				V_{DS} V	$R_{DS(on)max}$ mΩ	$V_{GS(th)}$ V	I_D A

N-Channel MOSFETs**800V
CE Series**

◆◆	IPD80R1K0CE	SP001130974	IPD80R1K0CEATMA1	DDPAK	800	950	2.1 ... 3.9	5.7
◆◆	IPD80R1K0CE	SP001100606	IPD80R1K0CEBTMA1	DDPAK	800	950	2.1 ... 3.9	5.7
◆◆	IPD80R1K4CE	SP001130972	IPD80R1K4CEATMA1	DDPAK	800	1400	2.1 ... 3.9	3.9
◆◆	IPD80R1K4CE	SP001100604	IPD80R1K4CEBTMA1	DDPAK	800	1400	2.1 ... 3.9	3.9
◆◆	IPD80R2K8CE	SP001130970	IPD80R2K8CEATMA1	DDPAK	800	2800	2.1 ... 3.9	1.9
◆◆	IPD80R2K8CE	SP001100602	IPD80R2K8CEBTMA1	DDPAK	800	2800	2.1 ... 3.9	1.9
◆◆	IPU80R1K0CE	SP001100624	IPU80R1K0CEBKMA1	IPAK	800	950	2.1 ... 3.9	5.7
◆◆	IPU80R1K4CE	SP001100620	IPU80R1K4CEBKMA1	IPAK	800	1400	2.1 ... 3.9	3.9
◆◆	IPU80R2K8CE	SP001100622	IPU80R2K8CEBKMA1	IPAK	800	2800	2.1 ... 3.9	1.9

**900V
C3 Series**

◆	IPA90R340C3	SP000415916	IPA90R340C3XKSA1	TO-220 FullIPAK	900	340	2.5 ... 3.5	15.0
◆	IPA90R500C3	SP000413716	IPA90R500C3XKSA1	TO-220 FullIPAK	900	500	2.5 ... 3.5	10.0
◆	IPA90R800C3	SP000413718	IPA90R800C3XKSA1	TO-220 FullIPAK	900	800	2.5 ... 3.5	6.9
◆	IPA90R1K0C3	SP000413712	IPA90R1K0C3XKSA1	TO-220 FullIPAK	900	1000	2.5 ... 3.5	5.7
◆	IPA90R1K2C3	SP000413714	IPA90R1K2C3XKSA1	TO-220 FullIPAK	900	1200	2.5 ... 3.5	5.1
◆	IPB90R340C3	SP000944226	IPB90R340C3ATMA1	D ² PAK	900	340	2.5 ... 3.5	15.0
◆◆	IPD90R1K2C3	SP001117752	IPD90R1K2C3ATMA1	DDPAK	900	1200	2.5 ... 3.5	5.1
◆	IPD90R1K2C3	SP000413720	IPD90R1K2C3BTMA1	DDPAK	900	1200	2.5 ... 3.5	5.1
◆	IPI90R340C3	SP000683082	IPI90R340C3XKSA1	I ² PAK	900	340	2.5 ... 3.5	15.0
◆	IPI90R500C3	SP000683084	IPI90R500C3XKSA1	I ² PAK	900	500	2.5 ... 3.5	10.0
◆	IPI90R800C3	SP000683086	IPI90R800C3XKSA1	I ² PAK	900	800	2.5 ... 3.5	6.7
◆	IPI90R1K0C3	SP000683078	IPI90R1K0C3XKSA1	I ² PAK	900	1000	2.5 ... 3.5	5.7
◆	IPI90R1K2C3	SP000683080	IPI90R1K2C3XKSA1	I ² PAK	900	1200	2.5 ... 3.5	5.1
◆	IPP90R340C3	SP000683098	IPP90R340C3XKSA1	TO-220	900	340	2.5 ... 3.5	15.0
◆	IPP90R500C3	SP000683100	IPP90R500C3XKSA1	TO-220	900	500	2.5 ... 3.5	10.0
◆	IPP90R800C3	SP000683102	IPP90R800C3XKSA1	TO-220	900	800	2.5 ... 3.5	6.7
◆	IPP90R1K0C3	SP000683094	IPP90R1K0C3XKSA1	TO-220	900	1000	2.5 ... 3.5	5.7
◆	IPP90R2K2C3	SP000683096	IPP90R1K2C3XKSA1	TO-220	900	1200	2.5 ... 3.5	5.1
◆	IPW90R120C3	SP000413750	IPW90R120C3FKSA1	TO-247	900	120	2.5 ... 3.5	36.0
◆	IPW90R340C3	SP000413756	IPW90R340C3FKSA1	TO-247	900	340	2.5 ... 3.5	15.0
◆	IPW90R500C3	SP000413756	IPW90R500C3FKSA1	TO-247	900	500	2.5 ... 3.5	10.0
◆	IPW90R800C3	SP000413758	IPW90R800C3FKSA1	TO-247	900	800	2.5 ... 3.5	6.7
◆	IPW90R1K0C3	SP000413752	IPW90R1K0C3FKSA1	TO-247	900	1000	2.5 ... 3.5	5.8
◆	IPW90R1K2C3	SP000413754	IPW90R1K2C3FKSA1	TO-247	900	1200	2.5 ... 3.5	5.1

SMD = Surface Mounted Device

Power Semiconductors

Type	Ordering Code	Orderable Part Number	Package	Data			
				V_{DS}	$R_{DS(on)}$	$V_{GS(th)}$	I_D
				V	mΩ	V	A

P-Channel MOSFETs

250V

BSP92P	SP001058796	BSP92PH6327XTSA1	SOT223	-250	12000	-2.0 ... -1.0	-0.26
BSP317P	SP001058758	BSP317PH6327XTSA1	SOT223	-250	4000	-2.0 ... -1.0	-0.43
BSR92P	SP000265408	BSR92PL6327HTSA1	SC59	-250	11000	-2.0 ... -1.0	-0.14
BSS192P	SP001047642	BSS192PH6327FTSA1	SOT89	-250	12000	-2.0 ... -0.8	-0.19

100V

BSP316P	SP001058754	BSP316PH6327XTSA1	SOT223	-100	1800	-2.0 ... -1.0	-0.68
BSP321P	SP001058782	BSP321PH6327XTSA1	SOT223	-100	900	-4.0 ... -2.1	-0.98
BSP322P	SP001058784	BSP322PH6327XTSA1	SOT223	-100	800	-2.0 ... -1.0	-1.0
BSR316P	SP000265407	BSR316PL6327HTSA1	SC59	-100	1800	-2.0 ... -1.0	-0.36
SPD15P10PL G	SP000317393	SPD15P10PLGBTMA1	DKPAK	-100	200	-2.0 ... -1.0	-15
SPD15P10P G	SP000212233	SPD15P10PGBTMA1	DKPAK	-100	240	-4.0 ... -2.1	-15
SPD04P10PL G	SP000212231	SPD04P10PLGBTMA1	DKPAK	-100	850	-2.0 ... -1.0	-4.2
SPD04P10P G	SP000212230	SPD04P10PGBTMA1	DKPAK	-100	1000	-4.0 ... -2.1	-4.0
SPP15P10PL H	SP000683162	SPP15P10PLHXKSA1	TO-220	-100	200	-2.0 ... -1.0	-15
SPP15P10P H	SP000683160	SPP15P10PHXKSA1	TO-220	-100	240	-4.0 ... -2.1	-15

60V

BSO613SPV G	SP000216309	BSO613SPVGHUMA1	SO-8	-60	130	-4.0 ... -2.1	-3.44
BSP170P	SP001058608	BSP170PH6327XTSA1	SOT223	-60	300	-4.0 ... -2.1	-1.9
BSP171P	SP001058824	BSP171PH6327XTSA1	SOT223	-60	300	-2.0 ... -1.0	-1.9
BSP315P	SP001058830	BSP315PH6327XTSA1	SOT223	-60	800	-2.0 ... -1.0	-1.17
BSP613P	SP001058788	BSP613PH6327XTSA1	SOT223	-60	130	-4.0 ... -2.1	-2.9
BSS83P	SP000702486	BSS83PH6327XTSA1	SOT23	-60	2000	-2.0 ... -1.0	-0.33
BSS84P	SP000929186	BSS84PH6327XTSA2	SOT23	-60	8000	-2.0 ... -1.0	-0.17
BSS84P	SP000924084	BSS84PH6433XTMA1	SOT23	-60	8000	-2.0 ... -1.0	-0.17
BSS84PW	SP000917564	BSS84PWH6327XTSA1	SOT323	-60	8000	-2.0 ... -1.0	-0.15
BSR315P	SP000265405	BSR315PL6327HTSA1	SC59	-60	800	-2.0 ... -1.0	-0.62
SPB80P06P G	SP000096088	SPB80P06PGATMA1	D ² PAK	-60	23	-4.0 ... -2.1	-80
SPB18P06P G	SP000102181	SPB18P06PGATMA1	D ² PAK	-60	130	-4.0 ... -2.1	-18.6
SPB08P06P G	SP000102179	SPB08P06PGATMA1	D ² PAK	-60	300	-4.0 ... -2.1	-8.8
SPD30P06P G	SP000441776	SPD30P06PGBTMA1	DKPAK	-60	75	-4.0 ... -2.1	-30
SPD18P06P G	SP000443926	SPD18P06PGBTMA1	DKPAK	-60	130	-4.0 ... -2.1	-18.6
SPD09P06PL G	SP000443928	SPD09P06PLGBTMA1	DKPAK	-60	250	-2.0 ... -1.0	-9.7
SPD08P06P G	SP000450534	SPD08P06PGBTMA1	DKPAK	-60	300	-4.0 ... -2.1	-8.8
SPP80P06P H	SP000441774	SPP80P06PHXKSA1	TO-220	-60	23	-4.0 ... -2.1	-80
SPP18P06P H	SP000446906	SPP18P06PHXKSA1	TO-220	-60	130	-4.0 ... -2.1	-18.6
SPP08P06P H	SP000446908	SPP08P06PHXKSA1	TO-220	-60	300	-4.0 ... -2.1	-8.8

30V

BSC030P03NS3 G	SP000442470	BSC030P03NS3GAUMA1	SuperSO8	-30	3	-3.1 ... -1.9	-100
BSC060P03NS3E G	SP000472984	BSC060P03NS3EGATMA1	SuperSO8	-30	6	-3.1 ... -1.9	-100
BSC080P03LS G	SP000359664	BSC080P03LSGAUMA1	SuperSO8	-30	8	-2.2 ... -1.0	-30
BSC084P03NS3 G	SP000473020	BSC084P03NS3GATMA1	SuperSO8	-30	8.4	-3.1 ... -1.9	-78.6
BSC084P03NS3E G	SP000473012	BSC084P03NS3EGATMA1	SuperSO8	-30	8.4	-3.0 ... -2.0	-78.6
BSC130P03LS G	SP000359666	BSC130P03LSGAUMA1	SuperSO8	-30	13	-2.2 ... -1.0	-22.5

SMD = Surface Mounted Device

Type	Ordering Code	Orderable Part Number	Package	Data			
				V_{DS}	$R_{DS(on)}$	$V_{GS(th)}$	I_D
				V	mΩ	V	A

P-Channel MOSFETs

30V

(cont'd)

BSD314SPE	SP000473008	BSD314SPEL6327HTSA1	SOT363	-30	140	-1.0 ... -2.0	-1.5
BSD314SPE	SP000917658	BSD314SPEH6327XTSA1	SOT363	-30	140	-1.0 ... -2.0	-1.5
▼ BSL307SP	SP001100660	BSL307SPH6327XTSA1	TSOP6	-30	43	-2.0 ... -1.0	-5.5
BSO080P03NS3 G	SP000472996	BSO080P03NS3GXUMA1	SO-8	-30	8	-3.1 ... -1.9	-14.8
BSO080P03NS3E G	SP000472992	BSO080P03NS3EGXUMA1	SO-8	-30	8	-3.1 ... -1.9	-14.8
BSO080P03S H	SP000613798	BSO080P03SHXUMA1	SO-8	-30	8	-2.1 ... -2.0	-1.0
BSO301SP H	SP000613796	BSO301SPHXUMA1	SO-8	-30	8	-2.0 ... -1.0	-14.9
BSO130P03S H	SP000613860	BSO130P03SHXUMA1	SO-8	-30	13	-2.2 ... -1.0	-11.3
BSO200P03S H	SP000613850	BSO200P03SHXUMA1	SO-8	-30	20	-2.2 ... -1.0	-9.1
BSO303P H	SP000613854	BSO303PHXUMA1	SO-8 dual	-30	21	-2.0 ... -1.0	-8.2
BSO303SP H	SP000613848	BSO303SPHXUMA1	SO-8	-30	21	-2.0 ... -1.0	-8.9
BSS308PE	SP000928942	BSS308PEH6327XTSA1	SOT23	-30	80	-2.0 ... -1.0	-2.1
BSS314PE	SP000928944	BSS314PEH6327XTSA1	SOT23	-30	140	-1.0 ... -2.0	-1.5
BSS315P	SP000928946	BSS315PH6327XTSA1	SOT23	-30	150	-2.0 ... -1.0	-1.5
BSZ086P03NS3 G	SP000473024	BSZ086P03NS3GATMA1	S3O8	-30	8.6	-3.1 ... -1.9	-40
BSZ086P03NS3E G	SP000473016	BSZ086P03NS3EGATMA1	S3O8	-30	8.6	-3.1 ... -1.9	-40
BSZ120P03NS3 G	SP000709736	BSZ120P03NS3GATMA1	S3O8	-30	12	-3.1 ... -1.9	-40
BSZ120P03NS3E G	SP000709730	BSZ120P03NS3EGATMA1	S3O8	-30	12	-3.1 ... -1.9	-40
BSZ180P03NS3 G	SP000709744	BSZ180P03NS3GATMA1	S3O8	-30	18	-3.1 ... -1.9	-39.6
BSZ180P03NS3E G	SP000709740	BSZ180P03NS3EGATMA1	S3O8	-30	18	-3.1 ... -1.9	-39.6
IPD042P03L3 G	SP000473922	IPD042P03L3GBTMA1	DPAK	-30	4.2	-2.0 ... -1.0	-70
IPD068P03L3 G	SP000472988	IPD068P03L3GBTMA1	DPAK	-30	6.8	-2.0 ... -1.0	-70
SPD50P03L G	SP000371908	SPD50P03LGBTMA1	DPAK 5pin	-30	7	-2.0 ... -1.0	-50

20V

BSO201SP H	SP000613828	BSO201SPHXUMA1	SO-8	-20	8	-1.2 ... -0.6	-14.9
BSO203P H	SP000613858	BSO203PHXUMA1	SO-8 dual	-20	21	-1.2 ... -0.6	-8.2
BSO203SP H	SP000613856	BSO203SPHXUMA1	SO-8	-20	21	-1.2 ... -0.6	-9.0
BSO207P H	SP000613832	BSO207PHXUMA1	SO-8 dual	-20	45	-1.2 ... -0.6	-5.7
BSO211P H	SP000613844	BSO211PHXUMA1	SO-8 dual	-20	67	-1.2 ... -0.6	-4.7
▼ BSL211SP	SP001100652	BSL211SPH6327XTSA1	TSOP6	-20	67	-1.2 ... -0.6	-4.7
BSS215P	SP000928938	BSS215PH6327XTSA1	SOT23	-20	150	-1.2 ... -0.6	-1.5
BSS209PW	SP000750498	BSS209PWH6327XTSA1	SOT323	-20	550	-1.2 ... -0.6	-0.58
BSS223PW	SP000843010	BSS223PWH6327XTSA1	SOT323	-20	1200	-1.2 ... -0.6	-0.39
BSV236SP	SP000917672	BSV236SPH6327XTSA1	SOT363	-20	175	-1.2 ... -0.6	-1.5
BSD223P	SP000924074	BSD223PH6327XTSA1	SOT363 dual	-20	1200	-1.2 ... -0.6	-0.35

SMD = Surface Mounted Device

Power Semiconductors

Type	Ordering Code	Orderable Part Number	Package	Data			
				V_{DS}	$R_{DS(on)}$	$V_{GS(th)}$	I_D
				V	mΩ	V	A

Complementary MOSFETs

20/-20V

BSD235C	SP000917610	BSD235CH6327XTSA1	SOT363	20	350	-1.2 ... -0.6	0.95
				-20	1200	0.7 ... 1.2	-0.53
▼ BSL215C	SP001101000	BSL215CH6327XTSA1	TSOP6	20	140	0.7 ... 1.2	1.5
				-20	150	-1.2 ... -0.6	-1.5

30/-30V

▼ BSL316C	SP001101010	BSL316CH6327XTSA1	TSOP6	30	160	1.2 ... 2.0	1.4
				-30	150	-2.0 ... -1.0	-1.5

60/-60V

BSO612CV G	SP000216307	BSO612CVGHUMA1	SO-8	60	120	2.1 ... 4.0	3
				-60	300	-4.0 ... -2.1	-2
BSO615C G	SP000216311	BSO615CGHUMA1	SO-8	60	110	1.2 ... 2.0	3.1
				-60	300	-2.0 ... -1.0	-2

SMD = Surface Mounted Device

Type	Ordering Code	Orderable Part Number	Package	Data			
				V_{DS}	$R_{DS(on)}$	$V_{GS(th)}$	I_D
				V	mΩ	V	A

Depletion MOSFETs**60V**

BSS159N	SP000919328	BSS159NH6327XTSA2	SOT23	60	3500	-3.5 ... -2.4	0.23
BSS159N	SP000702636	BSS159NH6906XTSA1	SOT23	60	3500	-3.5 ... -2.4	0.23
BSS159N	SP000247298	BSS159NL6906HTSA1	SOT23	60	3500	-3.5 ... -2.4	0.23

100V

BSS169	SP000702572	BSS169H6327XTSA1	SOT23	100	6000	-2.9 ... -1.8	0.17
BSS169	SP000702582	BSS169H6906XTSA1	SOT23	100	6000	-2.9 ... -1.8	0.17
BSS169	SP000247300	BSS169L6906HTSA1	SOT23	100	6000	-2.9 ... -1.8	0.17

200V

BSP149	SP001058818	BSP149H6327XTSA1	SOT223	200	1800	-2.1 ... -1.0	0.66
BSP149	SP001058604	BSP149H6906XTSA1	SOT223	200	1800	-2.1 ... -1.0	0.66

240V

BSP129	SP001058580	BSP129H6327XTSA1	SOT223	240	6000	-2.1 ... -1.0	0.35
BSP129	SP001058586	BSP129H6906XTSA1	SOT223	240	6000	-2.1 ... -1.0	0.35

250V

BSS139	SP000702610	BSS139H6327XTSA1	SOT23	250	14000	-2.1 ... -1.0	0.1
BSS139	SP000702612	BSS139H6906XTSA1	SOT23	250	14000	-2.1 ... -1.0	0.1

600V

BSS126	SP000919334	BSS126H6327XTSA2	SOT23	600	700	-2.7 ... -1.6	0.06
BSS126	SP000705716	BSS126H6906XTSA1	SOT23	600	700	-2.7 ... -1.6	0.06
BSP135	SP001058812	BSP135H6327XTSA1	SOT223	600	60000	-2.1 ... -1.0	0.12
▼ BSP135	SP001058592	BSP135H6433XTMA1	SOT223	600	60000	-2.1 ... -1.0	0.12
BSP135	SP001058594	BSP135H6906XTSA1	SOT223	600	60000	-2.1 ... -1.0	0.12

SMD = Surface Mounted Device

Power Semiconductors

Type	Ordering Code	Orderable Part Number	Package	Data			
				V_{CE}	I_C	I_C (pulse) (max)	V_{CE} (sat) (typ)
				V	A	A	V

IGBT Power Transistors

High Speed-2 1200V

■ IGA03N120H2	SP000215371	IGA03N120H2XKSA1	TO-220 FullPAK	1200	3	9	2.5
■ IGB01N120H2	SP000014614	IGB01N120H2ATMA1	D ² PAK	1200	1	3.5	2.5
■ IGB03N120H2	SP000014616	IGB03N120H2ATMA1	D ² PAK	1200	3	9.9	2.5
■ IGD01N120H2	SP000014523	IGD01N120H2BUMA1	DPAK	1200	1	3.5	2.5
■ IGP01N120H2	SP000683036	IGP01N120H2XKSA1	TO-220	1200	1	3.5	2.5
■ IGP03N120H2	SP000683038	IGP03N120H2XKSA1	TO-220	1200	3	9.9	2.5
■ IGW03N120H2	SP000014182	IGW03N120H2FKSA1	TO-247	1200	3	9.9	2.2

High Speed-2 DuoPack, 2nd generation (IGBT + Emitter Controlled Diode) 1200V

■ IKA03N120H2	SP000215373	IKA03N120H2XKSA1	TO-220 FullPAK	1200	3	9	2.5
■ IKB03N120H2	SP000014272	IKB03N120H2ATMA1	D ² PAK	1200	3	9.9	2.5
■ IKP03N120H2	SP000683052	IKP03N120H2XKSA1	TO-220	1200	3	9.9	2.5
■ IKW03N120H2	SP000014181	IKW03N120H2FKSA1	TO-247	1200	3	9.9	2.2

SMD = Surface Mounted Device

Type	Ordering Code	Orderable Part Number	Package	Data			
				V_{CE}	I_C	I_C (pulse) (max)	V_{CE} (sat) (typ)
				V	A	A	V

IGBT Power Transistors**High Speed-3, 3rd generation
600V**

IGA30N60H3	SP000853272	IGA30N60H3XKSA1	TO-220 FullPAK	600	30	120	1.95
IGB20N60H3	SP000852232	IGB20N60H3ATMA1	D ² PAK	600	20	80	1.95
IGB30N60H3	SP000852240	IGB30N60H3ATMA1	D ² PAK	600	30	120	1.95
IGP20N60H3	SP000702544	IGP20N60H3XKSA1	TO-220	600	20	80	1.95
IGP30N60H3	SP000702546	IGP30N60H3XKSA1	TO-220	600	30	120	1.95
IGW20N60H3	SP000852238	IGW20N60H3FKSA1	TO-247	600	20	80	1.95
IGW30N60H3	SP000852242	IGW30N60H3FKSA1	TO-247	600	30	120	1.95
IGW40N60H3	SP000769926	IGW40N60H3FKSA1	TO-247	600	40	160	1.95
IGW50N60H3	SP000702548	IGW50N60H3FKSA1	TO-247	600	50	200	1.85
IGW60N60H3	SP000925524	IGW60N60H3FKSA1	TO-247	600	60	180	1.85
IGW75N60H3	SP000906804	IGW75N60H3FKSA1	TO-247	600	75	225	1.85
IGW100N60H3	SP000913772	IGW100N60H3FKSA1	TO-247	600	100	300	1.85

**High Speed-3, 3rd generation
1200V**

IGW15N120H3	SP000674430	IGW15N120H3FKSA1	TO-247	1200	15	60	2.05
IGW25N120H3	SP000674424	IGW25N120H3FKSA1	TO-247	1200	25	100	2.05
IGW40N120H3	SP000667510	IGW40N120H3FKSA1	TO-247	1200	40	160	2.05

**High Speed-3 DuoPack, 3rd generation (IGBT + Emitter Controlled Diode)
600V**

IKB20N60H3	SP000852234	IKB20N60H3ATMA1	D ² PAK	600	20	80	1.95
IKP20N60H3	SP000852236	IKP20N60H3XKSA1	TO-220	600	20	80	1.95
IKW20N60H3	SP000702556	IKW20N60H3FKSA1	TO-247	600	20	80	1.95
IKW30N60H3	SP000703042	IKW30N60H3FKSA1	TO-247	600	30	120	1.95
IKW40N60H3	SP000769928	IKW40N60H3FKSA1	TO-247	600	40	160	1.95
IKW50N60H3	SP000852244	IKW50N60H3FKSA1	TO-247	600	50	200	1.85
IKW60N60H3	SP000919762	IKW60N60H3FKSA1	TO-247	600	60	180	1.85
IKW75N60H3	SP000906806	IKW75N60H3FKSA1	TO-247	600	75	225	1.85

**High Speed-3 DuoPack, 3rd generation (IGBT + Emitter Controlled Diode)
1200V**

IKW15N120H3	SP000674422	IKW15N120H3FKSA1	TO-247	1200	15	60	2.05
IKW25N120H3	SP000674418	IKW25N120H3FKSA1	TO-247	1200	25	100	2.05
IKW40N120H3	SP000674416	IKW40N120H3FKSA1	TO-247	1200	40	160	2.05

SMD = Surface Mounted Device

Power Semiconductors

Type	Ordering Code	Orderable Part Number	Package	Data			
				V_{CE}	I_C	I_C (pulse) (max)	V_{CE} (sat) (typ)
				V	A	A	V

IGBT Power Transistors

High Speed-5, fifth generation (highest efficiency) 650V

IGP40N65F5	SP000973422	IGP40N65F5XKSA1	TO-220	650	40	120	1.60
IGW40N65F5	SP000973424	IGW40N65F5FKSA1	TO-247	650	40	120	1.60
IGW50N65F5	SP000973426	IGW50N65F5FKSA1	TO-247	650	50	150	1.60

High Speed-5, fifth generation (high speed variant) 650V

IGP40N65H5	SP001001738	IGP40N65H5XKSA1	TO-220	650	40	120	1.60
IGW40N65H5	SP001001742	IGW40N65H5FKSA1	TO-247	650	40	120	1.60
IGW50N65H5	SP001001744	IGW50N65H5FKSA1	TO-247	650	50	150	1.60

High Speed-5, fifth generation (highest efficiency) (IGBT + Emitter Controlled Diode) 650V

IKA08N65F5	SP000973414	IKA08N65F5XKSA1	TO-220 FullPAK	650	8	24	1.60
IKA15N65F5	SP000973416	IKA15N65F5XKSA1	TO-220 FullPAK	650	15	45	1.60
IKP08N65F5	SP000973408	IKP08N65F5XKSA1	TO-220	650	8	24	1.60
IKP15N65F5	SP000973410	IKP15N65F5XKSA1	TO-220	650	15	45	1.60
IKP40N65F5	SP000973412	IKP40N65F5XKSA1	TO-220	650	40	120	1.60
IKW40N65F5	SP000973418	IKW40N65F5FKSA1	TO-247	650	40	120	1.60
IKW50N65F5	SP000973420	IKW50N65F5FKSA1	TO-247	650	50	150	1.60

High Speed-5, fifth generation (high speed variant) (IGBT + Emitter Controlled Diode) 650V

IKA08N65H5	SP001001722	IKA08N65H5XKSA1	TO-220 FullPAK	650	8	24	1.60
IKA15N65H5	SP001001724	IKA15N65H5XKSA1	TO-220 FullPAK	650	15	45	1.60
IKP08N65H5	SP001001716	IKP08N65H5XKSA1	TO-220	650	8	24	1.60
IKP15N65H5	SP001001718	IKP15N65H5XKSA1	TO-220	650	15	45	1.60
IKP40N65H5	SP001001720	IKP40N65H5XKSA1	TO-220	650	40	120	1.60
IKW40N65H5	SP001001730	IKW40N65H5FKSA1	TO-247	650	40	120	1.60
IKW50N65H5	SP001001734	IKW50N65H5FKSA1	TO-247	650	50	150	1.60

SMD = Surface Mounted Device

Type	Ordering Code	Orderable Part Number	Package	Data			
				V_{CE}	I_C	I_C (pulse) (max)	V_{CE} (sat) (typ)
				V	A	A	V

IGBT Power Transistors

TRENCHSTOP™ Single Version
600V

IGB10N60T	SP000456678	IGB10N60TATMA1	D ² PAK	600	10	30	1.50
IGB15N60T	SP000054921	IGB15N60TATMA1	D ² PAK	600	15	45	1.50
IGB30N60T	SP000095765	IGB30N60TATMA1	D ² PAK	600	30	90	1.50
IGB50N60T	SP000054922	IGB50N60TATMA1	D ² PAK	600	50	150	1.50
IGD06N60T	SP000960698	IGD06N60TATMA1	DKPAK	600	6	18	1.50
IGP06N60T	SP000683040	IGP06N60TXKSA1	TO-220	600	6	18	1.50
IGP10N60T	SP000683042	IGP10N60TXKSA1	TO-220	600	10	30	1.50
IGP15N60T	SP000683044	IGP15N60TXKSA1	TO-220	600	15	45	1.50
IGP50N60T	SP000683046	IGP50N60TXKSA1	TO-220	600	50	150	1.50
▼ IGU04N60T	SP001045846	IGU04N60TAKMA1	IPAK	600	4	12	1.50
IGW30N60T	SP000054925	IGW30N60TFKSA1	TO-247	600	30	90	1.50
IGW50N60T	SP000054926	IGW50N60TFKSA1	TO-247	600	50	150	1.50
IGW75N60T	SP000054927	IGW75N60TFKSA1	TO-247	600	75	225	1.50

TRENCHSTOP™
1200V

IGW08T120	SP000013937	IGW08T120FKSA1	TO-247	1200	8	24	1.70
IGW15T120	SP000013888	IGW15T120FKSA1	TO-247	1200	15	45	1.70
IGW25T120	SP000013887	IGW25T120FKSA1	TO-247	1200	25	75	1.70
IGW40T120	SP000013886	IGW40T120FKSA1	TO-247	1200	40	105	1.70
IGW60T120	SP000013906	IGW60T120FKSA1	TO-247	1200	60	105	1.70

TRENCHSTOP™ DuoPack (IGBT + Emitter Controlled Diode)
600V

IKA06N60T	SP000215375	IKA06N60TXKSA1	TO-220 FullIPAK	600	6	18	1.50
IKA10N60T	SP000215376	IKA10N60TXKSA1	TO-220 FullIPAK	600	10	30	1.50
IKA15N60T	SP000215377	IKA15N60TXKSA1	TO-220 FullIPAK	600	15	45	1.50
IKB06N60T	SP000014954	IKB06N60TATMA1	D ² PAK	600	6	18	1.50
IKB10N60T	SP000014833	IKB10N60TATMA1	D ² PAK	600	10	30	1.50
IKB15N60T	SP000054882	IKB15N60TATMA1	D ² PAK	600	15	45	1.50
IKB20N60T	SP000054883	IKB20N60TATMA1	D ² PAK	600	20	60	1.50
IKI04N60T	SP000607046	IKI04N60TXKSA1	I ² PAK	600	4	12	1.50
IKP04N60T	SP000683054	IKP04N60TXKSA1	TO-220	600	4	12	1.50
IKP06N60T	SP000683056	IKP06N60TXKSA1	TO-220	600	6	18	1.50
IKP10N60T	SP000683062	IKP10N60TXKSA1	TO-220	600	10	30	1.50
IKP15N60T	SP000683064	IKP15N60TXKSA1	TO-220	600	15	45	1.50
IKP20N60T	SP000683066	IKP20N60TXKSA1	TO-220	600	20	60	1.50
IHW30N60T	SP000076306	IHW30N60TFKSA1	TO-247	600	30	90	1.50
IHW40T60	SP000309994	IHW40T60FKSA1	TO-247	600	40	120	1.55
IKW20N60T	SP000054886	IKW20N60TFKSA1	TO-247	600	20	60	1.50
IKW30N60T	SP000054887	IKW30N60TFKSA1	TO-247	600	30	90	1.50
IKW50N60T	SP000054888	IKW50N60TFKSA1	TO-247	600	50	150	1.50
IKW75N60T	SP000054889	IKW75N60TFKSA1	TO-247	600	75	225	1.50

SMD = Surface Mounted Device

Power Semiconductors

Type	Ordering Code	Orderable Part Number	Package	Data			
				V_{CE}	I_C	I_C (pulse) (max)	V_{CE} (sat) (typ)
				V	A	A	V

IGBT Power Transistors

TRENCHSTOP™ DuoPack (IGBT + Emitter Controlled Diode) 900V

IHW30N90T	SP000076322	IHW30N90TFKSA1	TO-247	900	30	90	1.50
-----------	-------------	----------------	--------	-----	----	----	------

1000V

IHW30N100T	SP000086713	IHW30N100TFKSA1	TO-247	1000	30	90	1.55
------------	-------------	-----------------	--------	------	----	----	------

1200V

IHW15T120	SP000014892	IHW15T120FKSA1	TO-247	1200	15	45	2.20
IHW40T120	SP000014893	IHW40T120FKSA1	TO-247	1200	40	105	2.30
IKW08T120	SP000013885	IKW08T120FKSA1	TO-247	1200	8	24	1.70
IKW15T120	SP000013938	IKW15T120FKSA1	TO-247	1200	15	45	1.70
IKW25T120	SP000013939	IKW25T120FKSA1	TO-247	1200	25	75	1.70
IKW40T120	SP000013940	IKW40T120FKSA1	TO-247	1200	40	105	1.70

TRENCHSTOP™2 DuoPack (IGBT + Emitter Controlled Diode) 1200V

IKW15T120T2	SP000244961	IKW15N120T2FKSA1	TO-247	1200	15	60	2.20
IKW25T120T2	SP000244960	IKW25N120T2FKSA1	TO-247	1200	25	100	1.70
IKW40T120T2	SP000244962	IKW40N120T2FKSA1	TO-247	1200	40	160	1.75

TRENCHSTOP™ RC (Reverse Conducting - Soft Switching Applications) 600V

IHW40N60R	SP000357222	IHW40N60RFKSA1	TO-247	600	40	120	1.65
-----------	-------------	----------------	--------	-----	----	-----	------

TRENCHSTOP™ RC (Reverse Conducting - Fast Soft Switching Applications) 600V

IHW40N60RF	SP000621080	IHW40N60RFFKSA1	TO-247	600	40	120	1.85
------------	-------------	-----------------	--------	-----	----	-----	------

SMD = Surface Mounted Device

Type	Ordering Code	Orderable Part Number	Package	Data			
				V_{CE}	I_C	I_C (pulse) (max)	V_{CE} (sat) (typ)
				V	A	A	V

IGBT Power Transistors**TRENCHSTOP™RC for Automotive Applications (Reverse Conducting - Hard Switching Applications)
600V**

▼ IKD04N60RA	SP000943854	IKD04N60RAATMA1	DPAK	600	4	12	1.65
▼ IKD06N60RA	SP000979642	IKD06N60RAATMA2	DPAK	600	6	18	1.65
▼ IKD10N60RA	SP001008648	IKD10N60RAATMA2	DPAK	600	10	30	1.65
▼ IKD15N60RA	SP000718888	IKD15N60RAATMA1	DPAK	600	15	45	1.65

**TRENCHSTOP™RC for Automotive Applications (Reverse Conducting - Soft Switching Applications)
600V**

▼ IHD06N60RA	SP001065448	IHD06N60RAATMA1	DPAK	600	6	18	1.45
▼ IHD10N60RA	SP001065450	IHD10N60RAATMA1	DPAK	600	10	30	1.45

**TRENCHSTOP™RC (Reverse Conducting - Hard Switching Applications)
600V**

▼ IKD04N60R	SP000964626	IKD04N60RATMA1	DPAK	600	4	12	1.65
▼ IKD06N60R	SP000964628	IKD06N60RATMA1	DPAK	600	6	18	1.65
▼ IKD10N60R	SP000964630	IKD10N60RATMA1	DPAK	600	10	30	1.65
▼ IKD15N60R	SP000964632	IKD15N60RATMA1	DPAK	600	15	30	1.65

1000V

IGW30N100T	SP000380845	IGW30N100TFKSA1	TO-247	1000	30	90	1.55
------------	-------------	-----------------	--------	------	----	----	------

**TRENCHSTOP™RC (Reverse Conducting - Hard Switching Applications up to 30kHz)
600V**

▼ IKD03N60RF	SP000942930	IKD03N60RFATMA1	DPAK	600	2.5	7.5	2.20
▼ IKD04N60RF	SP000942932	IKD04N60RFATMA1	DPAK	600	4	12	2.20
IKD06N60RF	SP000939364	IKD06N60RFATMA1	DPAK	600	6	18	2.20
IKD10N60RF	SP000939366	IKD10N60RFATMA1	DPAK	600	10	30	2.20
IKD15N60RF	SP000939368	IKD15N60RFATMA1	DPAK	600	15	45	2.20

SMD = Surface Mounted Device

Power Semiconductors

Type	Ordering Code	Orderable Part Number	Package	Data			
				V_{CE}	I_C	I_C (pulse) (max)	V_{CE} (sat) (typ)
				V	A	A	V

TRENCHSTOP™ RC (Reverse Conducting - Soft Switching Applications) 1100V

IHW30N110R3	SP000702510	IHW30N110R3FKSA1	TO-247	1100	30	90	1.55
-------------	-------------	------------------	--------	------	----	----	------

1200V

IHW15N120R3	SP000521590	IHW15N120R3FKSA1	TO-247	1200	15	45	1.48
IHW20N120R3	SP000437702	IHW20N120R3FKSA1	TO-247	1200	20	60	1.48
IHW25N120R2	SP000212016	IHW25N120R2FKSA1	TO-247	1200	25	75	1.60
▼ IHW30N120R2	SP000212017	IHW30N120R2FKSA1	TO-247	1200	30	90	1.65
IHW30N120R3	SP000999768	IHW30N120R3FKSA1	TO-247	1200	30	90	1.55
IHW40N120R3	SP000999770	IHW40N120R3FKSA1	TO-247	1200	40	120	1.55

1350V

IHW20N135R3	SP000909532	IHW20N135R3FKSA1	TO-247	1350	20	60	1.6
▼ IHW20N135R5	SP001078568	IHW20N135R5XKSA1	TO-247	1350	20	60	1.65
IHW30N135R3	SP000989496	IHW30N135R3FKSA1	TO-247	1350	30	90	1.65
IHW40N135R3	SP000989498	IHW40N135R3FKSA1	TO-247	1350	40	120	1.65

1600V

IHW30N160R2	SP000273701	IHW30N160R2FKSA1	TO-247	1600	30	90	1.65
-------------	-------------	------------------	--------	------	----	----	------

SMD = Surface Mounted Device

Type	Ordering Code	Orderable Part Number	Package	Data			
				V_{RRM} V	I_F A	Q_{rryp} nC	$I_{F,SM}$ at $T_j = 25^\circ\text{C}$ A

Power Diodes**Rapid 1 Diodes
650V**

IDP08E65D1	SP001015376	IDP08E65D1XKSA1	TO-220 R2L	650	8	0.16	64
IDP15E65D1	SP001015380	IDP15E65D1XKSA1	TO-220 R2L	650	15	0.28	120
IDW30E65D1	SP001015412	IDW30E65D1FKSA1	TO-247	650	30	0.43	240
IDW40E65D1	SP001015382	IDW40E65D1FKSA1	TO-247	650	40	0.47	320

**Rapid 2 Diodes
650V**

IDP08E65D2	SP000994154	IDP08E65D2XKSA1	TO-220 R2L	650	8	73	60
IDP15E65D2	SP001005456	IDP15E65D2XKSA1	TO-220 R2L	650	15	106	100
IDP40E65D2	SP001008324	IDP40E65D2XKSA1	TO-220 R2L	650	40	130	250
IDV08E65D2	SP000994148	IDV08E65D2XKSA1	TO-220 FP R2L	650	8	73	60
IDV15E65D2	SP001005460	IDV15E65D2XKSA1	TO-220 FP R2L	650	15	106	100
IDW15E65D2	SP001005464	IDW15E65D2FKSA1	TO-247	650	15	106	100
IDW40E65D2	SP001005474	IDW40E65D2FKSA1	TO-247	650	40	130	320

**Emitter Controlled Diodes
600V**

IDB09E60	SP000013914	IDB09E60ATMA1	D ² PAK	600	9	343	40
IDB15E60	SP000014044	IDB15E60ATMA1	D ² PAK	600	15	595	60
IDB23E60	SP000278566	IDB23E60ATMA1	D ² PAK	600	23	970	89
IDB30E60	SP000013917	IDB30E60ATMA1	D ² PAK	600	30	1100	117
IDB45E60	SP000013635	IDB45E60ATMA1	D ² PAK	600	45	1400	162
IDD03E60	SP000013632	IDD03E60BUMA1	DPAK	600	3	118	16
IDD06E60	SP000077586	IDD06E60BUMA1	DPAK	600	6	240	29
IDD09E60	SP000013634	IDD09E60BUMA1	DPAK	600	9	343	40
IDD15E60	SP000077587	IDD15E60BUMA2	DPAK	600	15	595	60
IDP06E60	SP000683020	IDP06E60XKSA1	TO-220	600	6	240	29
IDP15E60	SP000683024	IDP15E60XKSA1	TO-220	600	15	595	60
IDP23E60	SP000683028	IDP23E60XKSA1	TO-220	600	23	970	89
IDP30E60	SP000683032	IDP30E60XKSA1	TO-220	600	30	1100	117
IDP45E60	SP000683034	IDP45E60XKSA1	TO-220	600	45	1400	162
IDW30E60	SP000916104	IDW30E60FKSA1	TO-247	600	30	1100	117
▼ IDW50E60	SP000919402	IDW50E60FKSA1	TO-247	600	50	1500	240
IDW75E60	SP000227824	IDW75E60FKSA1	TO-247	600	75	2400	220
IDW100E60	SP000227825	IDW100E60FKSA1	TO-247	600	100	3600	400
IDV30E60C	SP000844186	IDV30E60CXKSA1	TO-220 FullPAK	600	30	880	21

1200V

IDB12E120	SP000013640	IDB12E120ATMA1	D ² PAK	1200	12	1200	63
IDB18E120	SP000013919	IDB18E120ATMA1	D ² PAK	1200	18	1880	78
IDB30E120	SP000013641	IDB30E120ATMA1	D ² PAK	1200	30	2630	102
IDP04E120	SP000683018	IDP04E120XKSA1	TO-220	1200	4	330	28
IDP09E120	SP000683022	IDP09E120XKSA1	TO-220	1200	9	950	50
IDP12E120	SP000712390	IDP12E120XKSA1	TO-220	1200	12	1200	63
IDP18E120	SP000683026	IDP18E120XKSA1	TO-220	1200	18	1880	78
IDP30E120	SP000683030	IDP30E120XKSA1	TO-220	1200	30	2630	102

SMD = Surface Mounted Device

Power Semiconductors

Type	Ordering Code	Orderable Part Number	Package	Data			
				V_{DS} V	I_F A	Q_{Ctyp} nC	$I_{F,SM}$ at $T_j = 25^\circ\text{C}$ A

Power Diodes

Silicon Carbide Schottky Diodes 2nd Generation 600V

■ IDD04S60C	SP000080224	IDD04S60CBUMA1	DPAK	600	4	8	32
■ IDH04S60C	SP000657976	IDH04S60CAKSA1	TO-220 real 2pin	600	4	8	32
■ IDH05S60C	SP000797662	IDH05S60CAKSA1	TO-220 real 2pin	600	5	12	42
■ IDH06S60C	SP000657978	IDH06S60CAKSA1	TO-220 real 2pin	600	6	15	49
■ IDH08S60C	SP000657994	IDH08S60CAKSA1	TO-220 real 2pin	600	8	19	59
■ IDH10S60C	SP000657996	IDH10S60CAKSA1	TO-220 real 2pin	600	10	24	84
■ IDH12S60C	SP000797664	IDH12S60CAKSA1	TO-220 real 2pin	600	12	30	98
■ IDH16S60C	SP000797666	IDH16S60CAKSA1	TO-220 real 2pin	600	16	38	118

1200V

IDH05S120	SP000293029	IDH05S120AKSA1	TO-220 real 2pin	1200	5	18	29
IDH08S120	SP000293031	IDH08S120AKSA1	TO-220 real 2pin	1200	8	27	39
IDH10S120	SP000293034	IDH10S120AKSA1	TO-220 real 2pin	1200	10	36	58
IDH15S120	SP000293028	IDH15S120AKSA1	TO-220 real 2pin	1200	15	54	78
IDW10S120	SP000919522	IDW10S120FKSA1	TO-247	1200	10	36	53
IDW15S120	SP000919536	IDW15S120FKSA1	TO-247	1200	15	55	73
IDW20S120	SP000919530	IDW20S120FKSA1	TO-247	1200	20	72	106
IDW30S120	SP000919538	IDW30S120FKSA1	TO-247	1200	30	110	146

3rd Generation 600V

IDD03SG60C	SP000786802	IDD03SG60CXTMA1	DPAK	600	3	3.2	11.5
IDD04SG60C	SP000786804	IDD04SG60CXTMA1	DPAK	600	4	4.5	18
IDD05SG60C	SP000786806	IDD05SG60CXTMA1	DPAK	600	5	6.0	26
IDD06SG60C	SP000786808	IDD06SG60CXTMA1	DPAK	600	6	8.0	32
IDD08SG60C	SP000786810	IDD08SG60CXTMA1	DPAK	600	8	12	42
IDD09SG60C	SP000786812	IDD09SG60CXTMA1	DPAK	600	9	15	49
IDD10SG60C	SP000786814	IDD10SG60CXTMA1	DPAK	600	10	16	51
IDD12SG60C	SP000786816	IDD12SG60CXTMA1	DPAK	600	12	19	59
IDH03SG60C	SP000523728	IDH03SG60CXKSA1	TO-220 real 2pin	600	3	3.2	11.5
IDH04SG60C	SP000607026	IDH04SG60CXKSA1	TO-220 real 2pin	600	4	4.5	18
IDH05SG60C	SP000607034	IDH05SG60CXKSA1	TO-220 real 2pin	600	5	6.0	26
IDH06SG60C	SP000523730	IDH06SG60CXKSA1	TO-220 real 2pin	600	6	8.0	11.5
IDH08SG60C	SP000523732	IDH08SG60CXKSA1	TO-220 real 2pin	600	8	12	42
IDH09SG60C	SP000523734	IDH09SG60CXKSA1	TO-220 real 2pin	600	9	15	49
IDH10SG60C	SP000607040	IDH10SG60CXKSA1	TO-220 real 2pin	600	10	16	51
IDH12SG60C	SP000523738	IDH12SG60CXKSA1	TO-220 real 2pin	600	12	19	59

1200V

IDH02SG120	SP000541318	IDH02SG120XKSA1	TO-220 real 2pin	1200	2	7.2	12
------------	-------------	-----------------	------------------	------	---	-----	----

SMD = Surface Mounted Device

Type	Ordering Code	Orderable Part Number	Package	Data			
				V_{DS} V	I_F A	Q_{typ} nC	$I_{F,SM}$ at $T_j = 25^\circ\text{C}$ A

Power Diodes

Silicon Carbide Schottky Diodes
Fifth Generation
650V

IDH02G65C5	SP000854596	IDH02G65C5XKSA1	TO-220 real 2pin	650	2	4	23
IDH03G65C5	SP000925196	IDH03G65C5XKSA1	TO-220 real 2pin	650	3	5	31
IDH04G65C5	SP000925198	IDH04G65C5XKSA1	TO-220 real 2pin	650	4	7	38
IDH05G65C5	SP000925200	IDH05G65C5XKSA1	TO-220 real 2pin	650	5	8	46
IDH06G65C5	SP000925202	IDH06G65C5XKSA1	TO-220 real 2pin	650	6	10	54
IDH08G65C5	SP000925204	IDH08G65C5XKSA1	TO-220 real 2pin	650	8	13	68
IDH09G65C5	SP000925206	IDH09G65C5XKSA1	TO-220 real 2pin	650	9	14	75
IDH10G65C5	SP000925208	IDH10G65C5XKSA1	TO-220 real 2pin	650	10	15	82
IDH12G65C5	SP000821244	IDH12G65C5XKSA1	TO-220 real 2pin	650	12	18	97
IDH16G65C5	SP000925210	IDH16G65C5XKSA1	TO-220 real 2pin	650	16	23	124
IDH20G65C5	SP000925212	IDH20G65C5XKSA1	TO-220 real 2pin	650	20	29	142
▼ IDK02G65C5	SP000930840	IDK02G65C5XTMA1	D ² PAK real 2pin	650	2	4	23
▼ IDK03G65C5	SP000930842	IDK03G65C5XTMA1	D ² PAK real 2pin	650	3	5	31
▼ IDK04G65C5	SP000930844	IDK04G65C5XTMA1	D ² PAK real 2pin	650	4	7	38
▼ IDK05G65C5	SP000930846	IDK05G65C5XTMA1	D ² PAK real 2pin	650	5	8	46
▼ IDK06G65C5	SP000930848	IDK06G65C5XTMA1	D ² PAK real 2pin	650	6	10	54
▼ IDK08G65C5	SP000930850	IDK08G65C5XTMA1	D ² PAK real 2pin	650	8	13	68
▼ IDK09G65C5	SP000930852	IDK09G65C5XTMA1	D ² PAK real 2pin	650	9	14	75
▼ IDK10G65C5	SP000930854	IDK10G65C5XTMA1	D ² PAK real 2pin	650	10	15	82
▼ IDK12G65C5	SP000930856	IDK12G65C5XTMA1	D ² PAK real 2pin	650	12	18	97
▼ IDL02G65C5	SP000941306	IDL02G65C5XUMA1	ThinPAK 8x8	650	2	4	21
▼ IDL04G65C5	SP000941308	IDL04G65C5XUMA1	ThinPAK 8x8	650	4	7	29
▼ IDL06G65C5	SP000941310	IDL06G65C5XUMA1	ThinPAK 8x8	650	6	10	36
▼ IDL08G65C5	SP000941312	IDL08G65C5XUMA1	ThinPAK 8x8	650	8	13	43
▼ IDL10G65C5	SP000941314	IDL10G65C5XUMA1	ThinPAK 8x8	650	10	15	50
▼ IDL12G65C5	SP000941316	IDL12G65C5XUMA1	ThinPAK 8x8	650	12	18	57
IDW10G65C5	SP000937038	IDW10G65C5FKSA1	TO-247	650	10	15	58
IDW12G65C5	SP000937044	IDW12G65C5FKSA1	TO-247	650	12	18	71
IDW16G65C5	SP000937048	IDW16G65C5FKSA1	TO-247	650	16	23	95
IDW20G65C5	SP000937050	IDW20G65C5FKSA1	TO-247	650	20	29	103
IDW30G65C5	SP000937052	IDW30G65C5FKSA1	TO-247	650	30	42	165
IDW40G65C5	SP000969582	IDW40G65C5FKSA1	TO-247	650	40	55	182

SiC JFET & Direct Drive Technology
1200V

▼ IJW120R100T1	SP000871656	IJW120R100T1FKSA1	TO-247	1200	26	190	78
▼ IJW120R070T1	SP000871652	IJW120R070T1FKSA1	TO-247	1200	35	238	114

SMD = Surface Mounted Device

Power Semiconductors

Type	Ordering Code	Orderable Part Number	Package	Data		
				V_{DS}	$I_{L-ISO-Norm}$	$R_{DS(on)}$
				V	A	m Ω

Smart Low-Side Switches

TEMPFET™

N-Channel Enhancement Types

BTS240A	SP000841302	BTS240AHKSA1	PG-TO218-3-1	50	21	50
---------	-------------	--------------	--------------	----	----	----

N-Channel Enhancement Types (Logic Level)

■ BTS132 E3129	SP000011208	BTS132E3129NKSA1	P-TO220-3-129	60	6.0	65
----------------	-------------	------------------	---------------	----	-----	----

SPEED TEMPFET™

N-Channel Enhancement Types

BTS244Z E3043	SP000969782	BTS244ZE3043AKSA2	PG-TO220-5-12	55	19	18
BTS244Z E3062A	SP000910844	BTS244ZE3062AATMA2	PG-TO263-5-2	55	19	18
BTS247Z E3062A	SP000910846	BTS247ZE3062AATMA2	PG-TO263-5-2	55	26	13
BTS282Z E3180A	SP000910848	BTS282ZE3180AATMA2	PG-TO263-7-1	49	36	6.5
BTS282Z E3230	SP000969786	BTS282ZE3230AKSA2	PG-TO220-7-12	49	36	6.5

SMD = Surface Mounted Device

Type	Ordering Code	Orderable Part Number	Package	Data		
				V_{DS}	$I_{L-ISO-Norm}$	$R_{DS(on)}$
				V	A	mT

Smart Low-Side Switches

HITFET™ for automotive applications

BSP75N	SP000305171	BSP75NHUMA1	PG-SOT223-4	> 60	0.7	550
BSP76 E6433	SP000379611	BSP76E6433HUMA1	PG-SOT223-4	> 42	1.4	200
BSP77 E6433	SP000383400	BSP77E6433HUMA1	PG-SOT223-4	> 42	2.17	100
BSP78	SP000292892	BSP78HUMA1	PG-SOT223-4	> 42	3.0	50
BTS117	SP001003104	BTS117BKSA1	PG-TO220-3-1	> 60	3.5	100
BTS117TC	SP000668258	BTS117TCBUMA1	PG-TO263-3-2	> 60	3.5	100
BTS118D	SP000506212	BTS118DATMA1	PG-TO252-3-11	> 42	2.4	100
BTS133	SP001003102	BTS133BKSA1	PG-TO220-3-1	> 60	7.0	50
BTS133TC	SP000668256	BTS133TCBUMA1	PG-TO263-3-2	> 60	7.0	50
BTS134D	SP000506208	BTS134DATMA1	PG-TO252-3-11	> 42	3.5	50
BTS141	SP001003100	BTS141BKSA1	PG-TO220-3-1	> 60	12	28
BTS141TC	SP000668254	BTS141TCBUMA1	PG-TO263-3-2	> 60	12	28
BTS142D	SP000506220	BTS142DATMA1	PG-TO252-3-11	> 42	4.6	28
BTS3028SDL	SP000438722	BTS3028SDLATMA1	PG-TO252-3-11	60	5.0	28 (latch)
BTS3028SDR	SP000438724	BTS3028SDRATMA1	PG-TO252-3-11	60	5.0	28 (restart)
BTS3046SDL	SP000438726	BTS3046SDLATMA1	PG-TO252-3-11	60	3.6	46 (latch)
BTS3104SDR	SP000438732	BTS3104SDRATMA1	PG-TO252-3-11	60	3.6	46 (restart)
BTS3104SDL	SP000438730	BTS3104SDLATMA1	PG-TO252-3-11	60	2.0	104 (latch)
BTS3046SDR	SP000438728	BTS3046SDRATMA1	PG-TO252-3-11	60	2.0	104 (restart)
BTS3110N	SP000292896	BTS3110NHUMA1	PG-SOT223-4	> 42	1.4	200
BTS3118D	SP000506216	BTS3118DATMA1	PG-TO252-3-11	> 42	2.4	100
BTS3118N	SP000305173	BTS3118NHUMA1	PG-SOT223-4	> 42	2.4	100
BTS3134D	SP000506210	BTS3134DATMA1	PG-TO252-3-1	> 42	3.5	50
BTS3134N	SP000305174	BTS3134NHUMA1	PG-SOT223-4	> 42	3.5	50
BTS3142D	SP000506218	BTS3142DATMA1	PG-TO252-3-11	> 42	4.6	28
BTS3160D	SP000305175	BTS3160DAUMA1	PG-TO252-5-3	> 40	7.8	10
BTS3205G	SP000237784	BTS3205GXUMA1	PG-DSO-8-24	> 42	0.35	1900
BTS3205N	SP000438116	BTS3205NHUSA1	PG-SOT223-4	> 42	0.35	1900
BTS3207N	SP000294550	BTS3207NHUMA1	PG-SOT223-4	> 42	0.64	500
BTS3256D	SP000315628	BTS3256DAUMA1	PG-TO252-5-3	40	7.5	10
BTS3405G	SP000237783	BTS3405GXUMA1	PG-DSO-8-25	> 42	0.35	1900
BTS3408G	SP001027114	BTS3408GXUMA2	PG-DSO-8-36	> 60	0.55	550
BTS3800SL	SP000732200	BTS3800SLHTSA1	PG-SCT595-5	> 41	0.35	1600
BTS3410G (Dual)	SP000305178	BTS3410GXUMA1	PG-DSO-8-3	> 42	1.3	2 x 200

SMD = Surface Mounted Device

Power Semiconductors

Type	Ordering Code	Orderable Part Number	Package	Description
------	---------------	-----------------------	---------	-------------

Smart Low-Side Switches

Smart Multichannel Low-Side Switches (Lego Family)

TLE6217G	SP000435876	TLE6217GAUMA1	PG-DSO-20-12	Quad-channel low-side switch, 2 x 5A, 2 x 3A
TLE6220GP	SP000691118	TLE6220GPAUMA2	PG-DSO-20	Quad-channel low-side switch, 4 x 3A
TLE6228GP	SP000801282	TLE6228GPAUMA2	PG-DSO-20-10	Quad-channel low-side switch, 2 x 5A, 2 x 3A, tape & reel
TLE6230GP	SP000691114	TLE6230GPAUMA1	PG-DSO-36-10	Octal-low-side switch, 8 x 1A
TLE6232GP	SP000691110	TLE6232GPAUMA2	PG-DSO-36-12	Six-channel low-side switch, 4 x 3A, 2 x 1.5A
TLE6240GP	SP000627670	TLE6240GPAUMA1	PG-DSO-36-10	16-fold low-side switch, 8 x 1A, 8 x 3A
TLE6244X	SP000304416	TLE6244XAUMA1	PG-MQFP-64-10	18-channel low-side switch with SPI, 2 x 3.0A, 12 x 2.2A, 4 x 1.1A

Smart Multichannel Low-Side Switches (Flex Family)

TLE8102SG	SP000377621	TLE8102SGAUMA1	PG-DSO-12-11	Dual-channel powertrain switch coreFLEX with 8-bit SPI
TLE8104E	SP000766202	TLE8104EXUMA2	PG-DSO-20-30	Quad-channel powertrain switch coreFLEX with 8-bit SPI
TLE8108EM	SP000766920	TLE8108EMXUMA1	PG-SSOP-24	Eight-channel low side relay driver with 8-bit SPI (coreFLEX)
■ TLE8110EE	SP000263906	TLE8110EEXUMA1	PG-DSO-36 EP	Ten-channel low side switch with parallel control and SPI (coreFLEX)
▼ TLE8110EE	SP001113476	TLE8110EEXUMA2	PG-DSO-36 EP	Ten-channel low side switch with parallel control and SPI (coreFLEX)
▼ TLE8718SA	SP000493388	TLE8718SAAUMA4	PG-DSO-36	18-channel low side switch with 23-MHz micro second channel (speedFLEX)

Constant Current Control IC for Transmission

TLE6288R	SP000691124	TLE6288RAUMA2	PG-DSO-36-10	6-channel low-side switch with SPI, 3-channel high side with adjustable P&H current control, 3-channel high/low side configurable
TLE7241E	SP000485116	TLE7241EXUMA1	PG-DSO-20-27	Dual-channel constant current control solenoid driver with 16-bit SPI
TLE7242-2G	SP000318374	TLE72422GXUMA1	PG-DSO-28	Quad-channel fixed frequency constant current control IC with 32-bit SPI
TLE8242-2L	SP000839948	TLE82422LXUMA2	PG-LQFP-64	Eight-channel fixed frequency constant current control IC with current profile detection, 32-bit SPI
▼ TLE82452SA	SP000934076	TLE82452SAAUMA1	PG-DSO-36	Two channel high-side and low-side linear solenoid driver IC (Dragon IC) with 32-bit SPI, tape & reel
▼ TLE82452SA	SP001042680	TLE82452SAALLA1	PG-DSO-36	Two channel high-side and low-side linear solenoid driver IC (Dragon IC) with 32-bit SPI, tube
▼ TLE82453SA	SP000666950	TLE82453SAAUMA1	PG-DSO-36	Three channel high-side and low-side linear solenoid driver IC (Dragon IC) with 32-bit SPI, tape & reel
▼ TLE82453SA	SP001042682	TLE82453SAALLA1	PG-DSO-36	Three channel high-side and low-side linear solenoid driver IC (Dragon IC) with 32-bit SPI, tube

SMD = Surface Mounted Device

Type	Ordering Code	Orderable Part Number	Package	Description
Smart Low-Side Switches				
SPI Driver for Enhanced Relay Control (SPIDER)				
■ TLE7230G	SP000311687	TLE7230GXUMA1	PG-DSO-24-3	8-channel low-side switch, 8 x 0.3A
TLE7230R	SP000311685	TLE7230RAUMA1	PG-DSO-36-16	Octal low-side switch, power, with SPI, 8 x 0.5A
TLE7231G	SP000297859	TLE7231GXUMA1	PG-DSO-14-1	4-channel low-side switch, 4 x 0.32A
TLE7233G	SP000297860	TLE7233GXUMA1	PG-SSOP-24-5	4-channel low-side switch, 4 x 0.39A, with four input pins for direct control and limp home
TLE7234EM	SP000670334	TLE7234EMXUMA1	PG-SSOP-24-4 EP	8-channel high-side and low-side relay switch, 8 x 0.35A
TLE7234SE	SP000670264	TLE7234SEXUMA1	PG-DSO-20-45/-56	8-channel high-side and low-side relay switch, 6x 0.28A, 2 x 0.14A, three direct inputs
TLE7235EM	SP000670336	TLE7235EMXUMA1	PG-SSOP-24-4 EP	8-channel high-side and low-side relay switch with limp home mode, 6 x 0.35A, 2 x 0.175A
TLE7235SE	SP000670266	TLE7235SEXUMA1	PG-DSO-20-45	8-channel high-side and low-side relay switch with limp home mode, 6x 0.28A, 2 x 0.14A
TLE7236EM	SP000670338	TLE7236EMXUMA1	PG-SSOP-24-4 EP	8-channel high-side and low-side relay switch with limp home mode and cranking, 8 x 0.35A
TLE7236SE	SP000670268	TLE7236SEXUMA1	PG-DSO-20-45/-56	8-channel high-side and low-side relay switch with limp home mode and cranking, 6x 0.28A, 2 x 0.14A
TLE7237SL	SP000670304	TLE7237SLXUMA1	PG-SSOP-24-5	8-channel high-side and low-side relay switch, 8 x 0.26A, three direct inputs
TLE7238SL	SP000670306	TLE7238SLXUMA1	PG-SSOP-24-5	8-channel high-side and low-side relay switch with limp home mode, 8 x 0.26A
TLE7239SL	SP000670308	TLE7239SLXUMA1	PG-SSOP-24-5	8-channel high-side and low-side relay switch with limp home mode and cranking, 8 x 0.25A
TLE7240SL	SP000897440	TLE7240SLXUMA1	PG-SSOP-24-7	8-channel protected low-side relay switch, 8 x 0.20A, with four input pins for direct control and limp home
TLE7243SL	SP000897478	TLE7243SLXUMA2	PG-SSOP-24-7	8-channel protected low-side relay switch, $R_{DS} = 1.2\Omega$ with four input pins for direct control and limp home
TLE7244SL	SP000897480	TLE7244SLXUMA2	PG-SSOP-24-7	8-channel protected low-side relay switch, $R_{DS} = 0.8\Omega$ with four input pins for direct control and limp home

SMD = Surface Mounted Device

Power Semiconductors

Type	Ordering Code	Orderable Part Number	Package	Data			
				V_s	$R_{DS(on)}$	$I_{L(nom)}$ min.	$I_{L(SCP)}$ typ.
				V	mΩ	A	A

Smart High-Side Switches

Mini PROFET™ for automotive applications

BSP452	SP000272112	BSP452HUMA1	SOT223	41	200	> 0.7	1.5
BSP742R	SP000272115	BSP742RXUMA1	PG-DSO-8-24	41	350	> 0.4	1.2
BSP742RI	SP000278925	BSP742RIXUMA1	PG-DSO-8-24	41	350	> 0.4	1.2
BSP742T	SP000311133	BSP742TXUMA1	PG-DSO-8-24	41	350	0.8	4
BSP752R	SP000355392	BSP752RXUMA2	PG-DSO-8-24	62	200	1.3	6.5
BSP752T	SP000278359	BSP752TXUMA1	PG-DSO-8-24	62	200	1.3	6.5
BSP762T	SP000272118	BSP762TXUMA1	PG-DSO-8-24	41	100	2	10
BSP772T	SP000355395	BSP772TXUMA1	PG-DSO-8-24	41	60	2.6	17
BTS441RG	SP000355405	BTS441RGATMA1	PG-TO263-5-2	> 40	20	7.2	65
BTS441TG	SP000311504	BTS441TGATMA1	PG-TO263-5-2	> 40	20	7.2	65
BTS452R	SP000506224	BTS452RATMA1	PG-TO252-5-11	62	200	1.7	6.5
BTS452T	SP000506226	BTS452TATMA1	PG-TO252-5-11	62	200	1.7	6.5
BTS462T	SP000506232	BTS462TATMA1	PG-TO252-5-1	41	100	2.3	14
BTS4140N	SP000272323	BTS4140NHUMA1	SOT223	62	1000	0.2	0.9
BTS4141N	SP000302609	BTS4141NHUMA1	SOT223	47	200	0.7	1.4
BTS4142N	SP000355402	BTS4142NHUMA1	SOT223	47	200	1.4	3
BTS4175SGA	SP000360279	BTS4175SGAXUMA1	PG-DSO-8-24	> 52	175	1.3	6
BTS4300SGA	SP000360280	BTS4300SGAXUMA1	PG-DSO-8-24	> 34	300	0.4	0.4

Mini PROFET™ for industrial applications

ISP452	SP000219823	ISP452HUMA1	SOT223	41	200	> 0.7	1.5
ISP742RI	SP000221229	ISP742RIFUMA1	PG-DSO-8-6	41	350	> 0.4	1.2
ISP752R	SP000219825	ISP752RFUMA1	PG-DSO-8-6	62	200	1.3	6.5
ISP752T	SP000211730	ISP752TFUMA1	PG-DSO-8-6	62	200	1.3	6.5
ISP762T	SP000221228	ISP762TFUMA1	PG-DSO-8-6	41	100	2	10
ISP772T	SP000219824	ISP772TFUMA1	PG-DSO-8-6	41	60	2.6	17
ITS4060S-SJ-N	SP001007686	ITS4060SSJNXUMA1	PG-DSO-8	41	60	2.6	17
ITS4100S-SJ-N	SP001007688	ITS4100SSJNXUMA1	PG-DSO-8	41	70	2.0	10
ITS41K0S-ME-N	SP001006700	ITS41K0SMENHUMA1	SOT223	62	800	0.2	0.7
ITS4200S-ME-N	SP001007692	ITS4200SMENHUMA1	SOT223	41	160	0.7	1.5
ITS4200S-ME-O	SP001007694	ITS4200SMEOHUMA1	SOT223	47	150	0.7	1.1
ITS4200S-ME-P	SP001007696	ITS4200SMEPHUMA1	SOT223	47	150	1.4	2.2
ITS4200S-SJ-D	SP001007698	ITS4200SSJDXUMA1	PG-DSO-8	62	150	1.2	6.0
ITS4300S-SJ-D	SP001006698	ITS4300SSJDXUMA1	PG-DSO-8	41	300	0.4	1.0
ITS4140N	SP000240073	ITS4140NHUMA1	SOT223	62	1000	0.2	0.9
ITS4141D	SP000221235	ITS4141DBUMA1	PG-TO252-5-1	47	200	0.7	1.4
ITS4141N	SP000219536	ITS4141NHUMA1	SOT223	47	200	0.7	1.4
ITS4142N	SP000221218	ITS4142NHUMA1	SOT223	47	200	1.4	3.0

SMD = Surface Mounted Device

Type	Ordering Code	Orderable Part Number	Package	Data			
				V_s	$R_{DS(on)}$	$I_{L(nom)}$ min.	$I_{L(SCP)}$ typ.
				V	mΩ	A	A

Smart High-Side Switches

PROFET™ for automotive applications

BTS307 E3062A	SP000011225	BTS307E3062ANTMA1	P-TO220-5-62	65	250	1.7	10
BTS409L1 E3062A	SP000011232	BTS409L1E3062ANTMA1	P-TO220-5-62	43	200	2	7.5
BTS410E2 E3043	SP000011234	BTS410E2E3043NKSA1	P-TO220-5-43	65	220	2	12
BTS410E2 E3062A	SP000011235	BTS410E2E3062ANTMA1	P-TO220-5-62	65	220	2	12
BTS410F2 E3062A	SP000016371	BTS410F2E3062ANTMA1	P-TO220-5-62	65	220	2	5.5
BTS426L1 E3062A	SP000011244	BTS426L1E3062ANTMA1	P-TO220-5-62	> 40	60	4	25
BTS428L2	SP000506234	BTS428L2ATMA1	PG-TO252-3-1	> 40	60	3.6	22
BTS432E2	SP000711528	BTS432E2BKSA1	PG-TO220-5-3	63	38	9	44
BTS432E2 E3062A	SP000663358	BTS432E2E3062ABUMA1	PG-TO263-5-2	63	38	9	44
BTS436L2G	SP000011257	BTS436L2GNTMA1	P-TO263-5-2	> 40	38	5.2	51
BTS442E2	SP000711526	BTS442E2BKSA1	PG-TO220-5-3	63	18	17	95
BTS442E2 E3062A	SP000663460	BTS442E2E3062ABUMA1	PG-TO263-5-2	63	18	17	95
BTS640S2G	SP000528876	BTS640S2GATMA1	PG-TO263-7-2	> 40	30	4.0	50
BTS730	SP000272333	BTS730XUMA1	PG-DSO-20-9	> 40	70	3.5	20

PROFET™ for industrial applications

ITS428L2	SP000525146	ITS428L2ATMA1	PG-TO252-3-1	> 40	60	3.6	22
----------	-------------	---------------	--------------	------	----	-----	----

SMD = Surface Mounted Device

Power Semiconductors

Type	Ordering Code	Orderable Part Number	Package	Data			
				V_s	$R_{DS(on)}$	$I_{L(nom)}$ min.	$I_{L(SCP)}$ typ.
				V	mΩ	A	A

Smart High-Side Switches

High Current PROFET™ for automotive applications

BTF50060-1TEA	SP000629444	BTF500601TEAAUMA1	PG-TO252-5-11	16	6	16.5	60
BTS443P	SP000264198	BTS443PAUMA1	PG-TO252-5-11	38	16	6.2	35
▼ BTS5008-1EKB	SP000865464	BTS50081EKBXUMA1	PG-DSO-14-47 EP	28	8	11	50
▼ BTS50015-1TAC	SP001018032	BTS500151TACATMA1	PG-TO263-7-8	28	1.5	33	135
▼ BTS50015-1TMA	SP000701402	BTS500151TMAAKSA1	PG-TO220-7-232	28	1.5	33	135
BTS50050-1EGA	SP000410462	BTS500501EGAAUMA1	PG-DSO-12-16	42	5	16	100
BTS50055-1TMA	SP000385906	BTS500551TMAATMA1	PG-TO220-7-4	62	6	13.6	130
BTS50055-1TMB	SP000385907	BTS500551TMBAKSA1	PG-TO220-7-11	62	6	13.6	130
BTS50055-1TMC	SP000385908	BTS500551TMCATMA1	PG-TO220-7-4	62	6	13.6	130
BTS50060-1EGA	SP000299539	BTS500601EGAAUMA1	PG-DSO-12-16	42	6	15	100
BTS50060-1TEA	SP001082554	BTS500601TEAAUMA2	PG-TO252-5-11	42	6	15	100
BTS50070-1EGA	SP000410464	BTS500701EGAAUMA1	PG-DSO-12-16	42	7	14	90
BTS50070-1TMA	SP000411772	BTS500701TMAATMA1	PG-TO220-7-4	39	7	12	90
BTS50070-1TMB	SP000411774	BTS500701TMBAKSA1	PG-TO220-7-12	39	7	12	90
BTS50080-1EGA	SP000410466	BTS500801EGAAUMA1	PG-DSO-12-16	42	8	13	80
BTS50080-1TEA	SP000411780	BTS500801TEAAUMA1	PG-TO252-5-11	39	8	10	70
BTS50080-1TEB	SP000411784	BTS500801TEBAUMA1	PG-TO252-5-11	39	8	10	70
BTS50080-1TMA	SP000385909	BTS500801TMAATMA1	PG-TO220-7-4	39	8	9.5	90
BTS50080-1TMB	SP000385910	BTS500801TMBAKSA1	PG-TO220-7-12	39	8	9.5	90
BTS50080-1TMC	SP000479402	BTS500801TMCATMA1	PG-TO220-7-4	39	8	9.5	90
BTS50085-1TMA	SP000385911	BTS500851TMAATMA1	PG-TO220-7-4	62	9	9.9	90
BTS50085-1TMB	SP000385912	BTS500851TMBAKSA1	PG-TO220-7-11	70	9	9.9	90
BTS5010-1EKB	SP000865466	BTS50101EKBXUMA1	PG-DSO-14-47 EP	28	10	10	50
BTS5012-1EKB	SP000865468	BTS50121EKBXUMA1	PG-DSO-14-47 EP	28	12	10	50
BTS5012SDA	SP000298620	BTS5012SDAAUMA1	PG-TO252-5-11	39	12	6.5	65
BTS5014SDA	SP000298621	BTS5014SDAAUMA1	PG-TO252-5-11	39	14	6.0	55
BTS5016-1EKB	SP000865462	BTS50161EKBXUMA1	PG-DSO-14-47 EP	28	16	8.0	50
BTS5016SDA	SP000298622	BTS5016SDAAUMA1	PG-TO252-5-11	39	16	5.5	45
BTS5020-1EKA	SP000840718	BTS50201EKAXUMA1	PG-DSO-14-47 EP	28	20	6.5	50
BTS5030-1EJA	SP000746730	BTS50301EJAXUMA1	PG-DSO-8-43 EP	41	30	5.0	36
BTS5045-1EJA	SP000746732	BTS50451EJAXUMA1	PG-DSO-8-43 EP	41	45	4.0	25
▼ BTS5090-1EJA	SP000767082	BTS50901EJAXUMA1	PG-DSO-8-43 EP	28	90	3.0	20
BTS550P E3146	SP000842750	BTS550PE3146HKSA1	PG-TO218-5-146	34	3.6	115	100
BTS555 E3146	SP000842742	BTS555E3146HKSA1	PG-TO218-5-146	34	2.5	165	200
BTS6133D	SP000274948	BTS6133DAUMA1	PG-TO252-5-1	39	10	8.0	105
BTS6142D	SP000264200	BTS6142DAUMA1	PG-TO252-5-1	39	12	7.0	100
BTS6143D	SP000264199	BTS6143DAUMA1	PG-TO252-5-11	39	10	8.0	105
BTS6143D	SP000450414	BTS6143DAUMA2	PG-TO252-5-11	39	10	8.0	105
BTS6163D	SP000264201	BTS6163DAUMA1	PG-TO252-5-11	63	20	5.5	80
▼ BTT6020-1EKA	SP001004942	BTT60201EKAXUMA1	PG-DSO-14-47 EP	36	20	7.0	70
▼ BTT6030-1EKA	SP001004944	BTT60301EKAXUMA1	PG-DSO-14-47 EP	36	30	6.0	60
▼ BTT6050-1EKA	SP001004948	BTT60501EKAXUMA1	PG-DSO-14-47 EP	36	50	4.5	38

SMD = Surface Mounted Device

Type	Ordering Code	Orderable Part Number	Package	Data			
				V_s	$R_{DS(on)}$	$I_{L(nom)}$ min.	$I_{L(SCP)}$ typ.
				V	mΩ	A	A

Smart High-Side Switches

Two Channel PROFET™ for automotive applications

BTS4160DGA	SP000360284	BTS4160DGAXUMA1	PG-DSO-14-37	43	2 x 160	1.8	6.5
▼ BTS5016-2EKA	SP000958754	BTS50162EKAXUMA1	PG-DSO-14-47 EP	28	16	8.0	50
BTS5020-2EKA	SP000857482	BTS50202EKAXUMA2	PG-DSO-14-40 EP	24	2 x 20	7/5	50
BTS5030-2EKA	SP000389642	BTS50302EKAXUMA1	PG-DSO-14-40 EP	24	2 x 30	6/4	36
BTS5045-2EKA	SP000857484	BTS50452EKAXUMA1	PG-DSO-14-40 EP	24	2 x 45	4.5/3	25
BTS5090-2EKA	SP000639242	BTS50902EKAXUMA1	PG-DSO-14-40 EP	24	2 x 90	3.5/2.5	20
BTS5120-2EKA	SP000639244	BTS51202EKAXUMA1	PG-DSO-14-40 EP	24	2 x 120	2.5/2	9
BTS5180-2EKA	SP000639238	BTS51802EKAXUMA1	PG-DSO-14-40 EP	24	2 x 180	2/1.5	8
BTS5210G	SP000272327	BTS5210GXUMA1	PG-DSO-14-35	43	2 x 140	2.4	6.5
BTS5210L	SP000301612	BTS5210LAUMA1	PG-DSO-12-9	43	2 x 140	2.4	6.5
BTS5215L	SP000301613	BTS5215LAUMA1	PG-DSO-12-9	43	2 x 90	3.7	12
■ BTS5231-2GS	SP000281794	BTS52312GSXUMA1	PG-DSO-14-31	28	2 x 140	1.8	8
■ BTS5235-2G	SP000281079	BTS52352GXUMA1	PG-DSO-20-43	28	2 x 60	3.5	6
■ BTS5235-2L	SP000280715	BTS52352LAUMA1	PG-DSO-12-9	28	2 x 60	3.5	6
■ BTS5236-2GS	SP000280717	BTS52362GSXUMA1	PG-DSO-14-32	28	2 x 50	3.6	6
BTS5242-2L	SP000281082	BTS52422LAUMA1	PG-DSO-12-19	28	2 x 25	6.0	7/40 (adjust.)
BTS5246-2L	SP000281083	BTS52462LAUMA1	PG-DSO-12-19	28	2 x 19	6.0	7/40 (adjust.)
BTS723GW	SP000272332	BTS723GWXUMA1	PG-DSO-14	58	2 x 105	2.9	8
BTS740S2	SP000313545	BTS740S2XUMA1	PG-DSO-20-9	34	2 x 30	5.5	24
BTS50040-2SFA	SP000851890	BTS500402SFAXUMA1	PG-DSO-36-44	28	2 x 4	11	130
▼ BTT6030-2EKA	SP001004946	BTT60302EKAXUMA1	PG-DSO-14-47 EP	36	2 x 32	6.0	56
BTT6050-2EKA	SP000866750	BTT60502EKAXUMA1	PG-DSO-14-40 EP	36	2 x 100	4.5	38

Two Channel PROFET™ for industrial applications

ITS5215L	SP000219826	ITS5215LCUMA1	PG-DSO-12-2	40	2 x 90	3.7	15
----------	-------------	---------------	-------------	----	--------	-----	----

SMD = Surface Mounted Device

Power Semiconductors

Type	Ordering Code	Orderable Part Number	Package	Data			
				V_s	$R_{DS(on)}$	$I_{L(nom)}$ min.	$I_{L(SCP)}$ typ.
				V	mΩ	A	A

Smart High-Side Switches

Four Channel PROFET™ for automotive applications

BTS4130QGA	SP000360283	BTS4130QGAXUMA1	PG-DSO-20-32	43	4 x 130	1.8	5
BTS711L1	SP000379623	BTS711L1XUMA1	PG-DSO-20-9	40	4 x 200	1.7	7.5
BTS712N1	SP000317660	BTS712N1XUMA1	PG-DSO-20-9	40	4 x 200	1.7	7.5
BTS716G	SP000313686	BTS716GXUMA1	PG-DSO-20-9	40	4 x 140	2.3	9
BTS716GB	SP000272337	BTS716GBXUMA1	PG-DSO-20-9	40	4 x 140	2.3	9
BTS721L1	SP000317661	BTS721L1XUMA1	PG-DSO-20-9	40	4 x 100	2.5	14
BTS724G	SP000313543	BTS724GXUMA1	PG-DSO-20-9	40	4 x 90	3.0	15

Four Channel PROFET™ for industrial applications

ITS711L1	SP000219532	ITS711L1FUMA1	PG-DSO-20-9	40	4 x 200	1.7	7.5
ITS716G	SP000219534	ITS716GFUMA1	PG-DSO-20-9	40	4 x 140	2.3	9
ITS724G	SP000219835	ITS724GFUMA1	PG-DSO-20-9	40	4 x 90	3.7	15

Eight Channel PROFET™ for automotive applications

BTS4880R	SP000276938	BTS4880RAUMA1	PG-DSO-36-12	47	8 x 200	1.4	3
----------	-------------	---------------	--------------	----	---------	-----	---

Eight Channel PROFET™ for industrial applications

ITS42008-SB-D	SP001007690	ITS42008SBDAUMA1	PG-DSO-36-12	47	8 x 150	-	1.1
ITS4880R	SP000219527	ITS4880RCUMA1	PG-DSO-36-12	47	8 x 200	-	3.0

SMD = Surface Mounted Device

Type	Ordering Code	Orderable Part Number	Package	Description	
Smart High-Side Switches					
SPI Power Controller (SPOC) for automotive applications					
■	BTS5461SF	SP000862818	BTS5461SFXUMA1	PG-DSO-36-43	Four channel smart high-side switches for advanced front light control, 8-bit serial peripheral interface, LED mode, overvoltage protection: > 40V, loads: 2 x 65W + 2 x 27W, tape & reel
■	BTS5481SF	SP000862816	BTS5481SFXUMA1	PG-DSO-36-43	Four channel smart high-side switches for advanced front light control, 8-bit serial peripheral interface, LED mode, external drive capability, overvoltage protection: > 40V, loads: 2 x 65W + 1 x 27W + 1 x 10W, tape & reel
▼	BTS5482SF	SP001121980	BTS5482SFXUMA2	PG-DSO-36-43	Four channel smart high-side switches for advanced front light control, 8-bit serial peripheral interface, LED mode, external drive capability, overvoltage protection: > 40V, loads: 2 x 65W + 2 x 27W + 1 x 10W, tape & reel
	BTS6480SF	SP000408352	BTS6480SFXUMA1	PG-DSO-36-43	Four channel smart high-side switches for advanced front light control, 16-bit serial peripheral interface, LED mode, external drive capability, PWM engine integrated, overvoltage protection: > 40V, loads: 2 x 65W + 2 x 27W, tape & reel
▼	BTS54040-LBA	SP000887550	BTS54040LBAAUMA1	PG-TSON-24-3	Four channel smart high-side switches for advanced front light control, 8-bit serial peripheral interface, LED mode, overvoltage protection: > 42V, loads: 4 x 27W, tape & reel
▼	BTS54040-LBE	SP000887552	BTS54040LBEAUMA1	PG-TSON-24-3	Four channel smart high-side switches for advanced front light control, 8-bit serial peripheral interface, LED mode, external drive capability, overvoltage protection: > 42V, loads: 4 x 27W, tape & reel
▼	BTS54220-LBA	SP000887554	BTS54220LBAAUMA1	PG-TSON-24-3	Four channel smart high-side switches for advanced front light control, 8-bit serial peripheral interface, LED mode, overvoltage protection: > 42V, loads: 2 x 65W + 2 x 27W, tape & reel
▼	BTS54220-LBE	SP000887556	BTS54220LBEAUMA1	PG-TSON-24-3	Four channel smart high-side switches for advanced front light control, 8-bit serial peripheral interface, LED mode, external drive capability, overvoltage protection: > 42V, loads: 2 x 65W + 4 x 27W, tape & reel
■	BTS5566G	SP000255738	BTS5566GXUMA1	PG-DSO-36-34	Five channel smart high-side switches for bulb application, overvoltage protection: > 41V, loads: 3 x 27W + 2 x 10W, tape & reel
■	BTS5590G	SP000306869	BTS5590GXUMA1	PG-DSO-36-34	Five channel smart high-side switches for bulb application, LED mode, watchdog integrated overvoltage protection: > 41V, loads: 3 x 27W + 2 x 10W, tape & reel
■	BTS5576G	SP000255737	BTS5576GXUMA1	PG-DSO-36-34	Five channel smart high-side switches for bulb application, LED mode, overvoltage protection: > 41V, loads: 3 x 27W + 2 x 10W, tape & reel
■	BTS5562E	SP000425312	BTS5562EAUMA1	PG-DSO-36-36 EP	Five channel smart high-side switches for bulb application, overvoltage protection: > 41V, loads: 3 x 27W + 2 x 10W, basic, tape & reel
■	BTS5572E	SP000425314	BTS5572EAUMA1	PG-DSO-36-36 EP	Five channel smart high-side switches for bulb application, LED mode, overvoltage protection: > 41V, loads: 3 x 27W + 2 x 10W, basic, tape & reel

SMD = Surface Mounted Device

Power Semiconductors

Type	Ordering Code	Orderable Part Number	Package	Description
Smart High-Side Switches				
SPI Power Controller (SPOC) for automotive applications (cont'd)				
▼ BTS55032-LBA	SP000919412	BTS55032LBAAUMA1	PG-TSON-24-3	Five channel smart high-side switches for advanced front light control, 8-bit serial peripheral interface, LED mode, overvoltage protection: > 42V, loads: 3 x 27W + 2 x 10W, tape & reel
■ BTS5662E	SP000296439	BTS5662EAUMA1	PG-DSO-36-36 EP	Six channel smart high-side switches for bulb application, overvoltage protection: > 41V, loads: 3 x 27W + 2 x 10W + 1 x 5W, basic, tape & reel
■ BTS5672E	SP000455504	BTS5672EAUMA2	PG-DSO-36-36 EP	Six channel smart high-side switches for bulb application, LED mode, overvoltage protection: > 41 V, loads: 3 x 27W + 2 x 10W + 1 x 5W, basic, tape & reel
■ BTS5682E	SP000296428	BTS5682EAUMA1	PG-DSO-36-36 EP	Six channel smart high-side switches for bulb application, LED mode and cranking, overvoltage protection: > 41V, loads: 3 x 27W + 2 x 10W + 1 x 5W, basic, tape & reel
▼ BTS56033-LBA	SP000915094	BTS56033LBAAUMA1	PG-TSON-24-3	Six channel smart high-side switches for advanced front light control, 8-bit serial peripheral interface, LED mode, overvoltage protection: > 42V, loads: 3 x 27W + 3 x 10W, tape & reel

SMD = Surface Mounted Device

Type	Ordering Code	Orderable Part Number	Package	Description
Power Management ICs				
Automotive ICs				
Motor Driver ICs				
3-Phase Driver				
■ TLE6280GP	SP000712092	TLE6280GPAUMA2	PG-DSO-36-12	3-phase bridge driver ICs for MOSFET power stages with multiple protection functions, 8V to 20V supply voltage, tape reel
TLE7183F	SP000317385	TLE7183FXUMA2	PG-VQFN-48-14	3-phase bridge driver IC for 6 or 12 MOSFET power stages with multiple protection functions, 5.5V to 28V supply voltage, short circuit protection with five fixed detection levels available, tape reel
TLE7183F	SP000317391	TLE7183FXUMA3	PG-VQFN-48-14	
TLE7183F	SP000065802	TLE7183FXUMA4	PG-VQFN-48-14	
▼ TLE7183F	SP000317389	TLE7183FXUMA5	PG-VQFN-48-14	
TLE7183QU	SP000868988	TLE7183QUXUMA1	PG-TQFP-48-8	3-phase bridge driver IC for 6 or 12 MOSFET power stages with multiple protection functions, 5.5V to 28V supply voltage, short circuit protection with five fixed detection levels available, tape reel
▼ TLE7183QU	SP000935748	TLE7183QUXUMA2	PG-TQFP-48-8	
▼ TLE7183QU	SP000959816	TLE7183QUXUMA3	PG-TQFP-48-8	
▼ TLE7183QU	SP000960560	TLE7183QUXUMA4	PG-TQFP-48-8	
▼ TLE7183QU	SP000960572	TLE7183QUXUMA5	PG-TQFP-48-8	
TLE7184F	SP000362096	TLE7184FXUMA1	PG-VQFN-48-14	System IC for B6 motor drive applications. The device integrates all analog functions needed in the system as the B6 pre-driver, 50-mA LDO, PWM interface and an OpAmp, 5V supply voltage, tape & reel
TLE7184F3V	SP000864920	TLE7184F3VXUMA1	PG-VQFN-48-14	System IC for B6 motor drive applications. The device integrates all analog functions needed in the system as the B6 pre-driver, 50 mA LDO, PWM interface and an OpAmp, 3V supply voltage, tape & reel
TLE7185-1E	SP000851146	TLE71851EXUMA1	PG-DSO-36-38	3-phase bridge driver IC for 6 or 12 MOSFET power stages with multiple protection functions, 5.5V to 32V supply voltage, short circuit protection level adjustable, tape reel
▼ TLE7186F	SP000470258	TLE7186FXUMA1	PG-VQFN-48	3-phase bridge driver IC for 6 MOSFET power stages with multiple protection functions, 7V to 28V supply voltage, short circuit protection level adjustable, tape reel
TLE7189F	SP000248208	TLE7189FXUMA1	PG-VQFN-48	3-phase bridge driver IC for 6 or 12 MOSFET power stages with multiple protection functions, 5.5V to 28V supply voltage, short circuit protection level adjustable, tape reel
TLE7189QK	SP000528310	TLE7189QKXUMA1	PG-LQFP-64	3-phase bridge driver IC for 6 or 12 MOSFET power stages with multiple protection functions, 5.5V to 28V supply voltage, short circuit protection level adjustable, tape reel

H-Bridge and Half-Bridge Driver ICs

TLE7181EM	SP000628808	TLE7181EMXUMA1	PG-SSOP-24	Half-bridge and dual-half bridge driver IC for four N-channel power MOSFETs with multiple protection functions, 7V to 34V supply voltage, short circuit protection level adjustable, tape reel
TLE7182EM	SP000628810	TLE7182EMXUMA1	PG-SSOP-24	Half-bridge and dual-half bridge driver IC for four N-channel power MOSFETs with multiple protection functions, 7V to 34V supply voltage, short circuit protection level adjustable, separate control input for each MOSFET, tape reel
▼ IPN10EL-S	SP000862494	IPN10ELSXUMA1	PG-SSOP-24	Half-bridge and dual-half bridge driver IC to drive one P-channel and one N-channel MOSFETs, 4V to 40V supply voltage, adjustable dead time, tape reel

SMD = Surface Mounted Device

Power Semiconductors

Type	Ordering Code	Orderable Part Number	Package	Description
------	---------------	-----------------------	---------	-------------

Power Management ICs Automotive ICs

Door Module ICs (DoMoPo)

■ TLE8201R	SP000107174	TLE8201RAUMA1	PG-DSO-36-27	Full bridge for main doorlock motor, two half-bridges for deadbolt, two half-bridges for mirror position, high-side switch for mirror defrost, four high-side switches for 5W and 10W lamps, tape & reel
TLE8203E	SP000310729	TLE8203EXUMA1	PG-DSO-36-50	Three half-bridges for mirror control applications, high-side switch for mirror defrost, two high-side switches for 5W and 10W lamps, tape & reel

Motor Control ICs

TLE4207G	SP000305202	TLE4207GXUMA1	PG-DSO-14-22	Dual half-bridge driver, 2 x 0.8A/18V, status flag mode, tape & reel
TLE4208G	SP000305242	TLE4208GXUMA1	PG-DSO-28-6	Quad half-bridge driver, 4 x 0.8A/18V, status flag mode, tape & reel
TLE6208-3G	SP000305935	TLE62083GXUMA1	PG-DSO-14-35	Triple-half-bridge driver, 3 x 0.6A/32V, 16-bit SPI, tape & reel
TLE6208-6G	SP000305936	TLE62086GXUMA1	PG-DSO-28-24	Hex-half-bridge driver / double six driver, 6 x 0.6A/40V, 16-bit SPI, tape & reel
TLE84106EL	SP000619116	TLE84106ELXUMA1	PG--SSOP-24-4	Hex-half-bridge driver to drive up to three DC motors, 6 x 0.8A/40V, 16-bit SPI, Inhibit, tape & reel
TLE84110EL	SP000670380	TLE84110ELXUMA1	PG--SSOP-24-4	Deca-half-bridge driver to drive up to five DC motors, 6 x 0.8A/40V, 16-bit SPI, Inhibit, tape & reel

H-Bridges for Idle Speed and Throttle Control

TLE5205-2	SP000377306	TLE52052AKSA1	PG-TO220-7-11	Full bridges for DC-motor control, 4A/40V, status flag mode, tube
TLE5205-2S	SP000377308	TLE52052SAKSA1	PG-TO220-7-12	Full bridges for DC-motor control, 4A/40V, status flag mode, tube
TLE5205-2G	SP000377307	TLE52052GAUMA1	PG-TO263-7-1	Full bridges for DC-motor control, 4A/40V, status flag mode, tape & reel
TLE5206-2	SP000377309	TLE52062AKSA1	PG-TO220-7-11	Full bridges for DC-motor control, 4A/40V, status flag mode, tube
TLE5206-2S	SP000377311	TLE52062SAKSA1	PG-TO220-7-12	Full bridges for DC-motor control, 4A/40V, status flag mode, tube
TLE5206-2G	SP000377310	TLE52062GAUMA1	PG-TO263-7-1	Full bridges for DC-motor control, 4A/40V, status flag mode, tape & reel
TLE6209R	SP000732082	TLE6209RAUMA2	PG-DSO-20-37	Hex-half-bridge driver 6A/40V, SPI, tape & reel
TLE7209-2R	SP000723090	TLE72092RAUMA4	PG-DSO-20-37	Full half-bridge for DC-motor control, 6A/28V, SPI, tape & reel
▼ TLE8209-2E	SP000875410	TLE82092EXUMA2	PG-DSO-20-71	Half-bridge driver (or two independent half bridge), 8A/28V, SPI, programmable current limitation, outstanding EMI, tape & reel
TLE8209-2SA	SP000541758	TLE82092SAAUMA1	PG-DSO-20-65	Half-bridge driver (or two independent half bridge), 8A/28V, SPI, programmable current limitation, outstanding EMI, tape & reel
TLE8209-4SA	SP000920440	TLE82094SACUMA1	PG-DSO-20-65	Half-bridge driver (or two independent half bridge), 9A/28V, SPI, programmable current limitation, outstanding EMI, tape & reel

SMD = Surface Mounted Device

Type	Ordering Code	Orderable Part Number	Package	Description
------	---------------	-----------------------	---------	-------------

Power Management ICs
Automotive ICs

Servo Driver ICs

TLE4205G	SP000011747	TLE4205GNTMA1	P-DSO-20-6	Power bridges for DC-motor control, 2 x 1A/32V, tape & reel
TLE4206G	SP000298150	TLE4206GXUMA1	PG-DSO-14-22	DC-motor driver for servo driver 2 x 1A/18V, tape & reel
TLE4206-2G	SP000303750	TLE42062GXUMA1	PG-DSO-14-22	
TLE4206-4G	SP000840122	TLE42064GXUMA1	PG-DSO-14-22	Headlight beam controller, H-bridge driver, 2 x 1A/19V, tape & reel
TLE4209A	SP000305193	TLE4209AHKLA1	P-DIP-8-4	DC-motor driver for servo driver 2 x 1A/18V, tube
TLE4209G	SP000270563	TLE4209GXUMA1	PG-DSO-14-22	

Stepper Motor Drivers

TCA3727G	SP000306731	TCA3727GXUMA1	PG-DSO-24-3	Stepper motor driver, 2-phase motor, 2 x 1A / 50V, Inhibit, tape & reel
TLE4726G	SP000306733	TLE4726GXUMA1	PG-DSO-24-3	
TLE4729G	SP000398988	TLE4729GXUMA1	PG-DSO-24-16	Stepper motor driver, 2-phase with low quiescent current, Inhibit, 2 x 0.7A/45V, tape & reel
TLE8444SL	SP000394373	TLE8444SLXUMA1	PG-SSOP-24-7	Stepper motor driver, 2-phase with low quiescent current, Inhibit, 4 x 0.8A/40V, tape & reel

SMD = Surface Mounted Device

Power Semiconductors

Type	Ordering Code	Orderable Part Number	Package	Description
Power Management ICs				
Automotive ICs				
High Current Motor Drivers				
Trilith IC				
BTM7700G	SP000306876	BTM7700GXUMA1	PG-DSO-28-22	Trilith IC, bridge or quad driver, $I_{SCP} = 9.5A$, status flag, tape & reel
BTM7710G	SP000306878	BTM7710GXUMA1	PG-DSO-28-14	Trilith IC, bridge or quad driver, $I_{SCP} = 15A$, status flag, tape & reel
BTM7710GP	SP000303743	BTM7710GPAUMA1	PG-TO263-15-1	Trilith IC, bridge or quad driver, $I_{SCP} = 15A$, status flag, PowerPak, tape & reel
BTM7740G	SP000306879	BTM7740GXUMA1	PG-DSO-28-14	Trilith IC, bridge or quad driver, $I_{SCP} = 8A$, status flag, short circuit protection; tape & reel
BTM7741G	SP000306880	BTM7741GXUMA1	PG-DSO-28-14	
BTM7742G	SP000777046	BTM7742GXUMA1	PG-DSO-36-29	Trilith IC 3G, high current H-bridge or quad driver, $I_{SCP} = 12A$, status flag, short circuit protection, $R_{DS(on)} = 250m\Omega$, current sense, tape & reel
BTM7745G	SP000777048	BTM7745GXUMA1	PG-DSO-36-29	Trilith IC 3G, high current H-bridge or quad driver, $I_{SCP} = 12A$, status flag, short circuit protection, $R_{DS(on)} = 250m\Omega$, tape & reel
BTM7750G	SP000306881	BTM7750GXUMA1	PG-DSO-28-22	Trilith IC, bridge or quad driver, $I_{SCP} = 12A$, status flag, short circuit protection, tape & reel
BTM7750GP	SP000303751	BTM7750GPAUMA1	PG-TO263-15-1	Trilith IC, bridge or quad driver, $I_{SCP} = 12A$, status flag, short circuit protection, tape & reel
BTM7751G	SP000306882	BTM7751GXUMA1	PG-DSO-28-14	Trilith IC, bridge or quad driver, $I_{SCP} = 14A$, status flag, short circuit protection, tape & reel
BTM7752G	SP000267008	BTM7752GXUMA1	PG-DSO-36-29	Trilith IC 3G, high current H-bridge or quad driver, $I_{SCP} = 12A$, status flag, short circuit protection, $R_{DS(on)} = 15m\Omega$, current sense, tape & reel
BTM7755G	SP000267009	BTM7755GXUMA1	PG-DSO-36-29	Trilith IC 3G, high current H-bridge or quad driver, $I_{SCP} = 12A$ status flag, short circuit protection, $R_{DS(on)} = 150m\Omega$, tape & reel
BTM7810K	SP000311145	BTM7810KAUMA1	PG-TO263-15-1	Trilith IC, bridge or quad driver, $I_{SCP} = 42A$, status flag, PowerPak, HSS: 1kHz, LSS: 1kHz, tape & reel
BTM7811K	SP000303752	BTM7811KAUMA1	PG-TO263-15-1	Trilith IC, bridge or quad driver, $I_{SCP} = 42A$, status flag, PowerPak, HSS: 1kHz, LSS: 1kHz, tape & reel

High Current Motor Drivers NovalithIC™

■ BTN7930B	SP000299767	BTN7930BAUMA1	PG-TO263-7-1	28mΩ NovalithIC™, high current PN half-bridge driver, 32A, status flag, 5.5 to 28V operating range, tape & reel
■ BTN7930P	SP000314911	BTN7930PAKSA1	PG-TO220-7-11	29.6mΩ NovalithIC™, high current PN half-bridge driver, 32A, status flag, 5.5 to 28V operating range, tube
■ BTN7930S	SP000355958	BTN7930SAKSA1	PG-TO220-7-12	28.2mΩ NovalithIC™, high current PN half-bridge driver, 32A, status flag, 5.5 to 28V operating range, tube
■ BTN7933B	SP000481546	BTN7933BAUMA1	PG-TO263-7-1	28mΩ NovalithIC™, high current PN half-bridge driver, 32A, status flag, 4.5 to 28V operating range, tape & reel
■ BTN7960B	SP000299768	BTN7960BAUMA1	PG-TO263-7-1	16mΩ NovalithIC™, high current PN half-bridge driver, 47A, status flag, 5.5 to 27.6V operating range, tape & reel
■ BTS7960P	SP000317942	BTN7960PAKSA1	PG-TO220-7-11	17.6mΩ NovalithIC™, high current PN half-bridge driver, 47A, status flag, 5.5 to 28V operating range, tube

SMD = Surface Mounted Device

Type	Ordering Code	Orderable Part Number	Package	Description
Power Management ICs				
Automotive ICs				
High Current Motor Drivers				
NovalithIC™				
(cont'd)				
■ BTS7960S	SP000355960	BTN7960SAKSA1	PG-TO220-7-12	16.2 mΩ NovalithIC™, high current PN half-bridge driver, 47A, status flag, 5.5 to 28V operating range, tube
■ BTN7963B	SP000481608	BTN7963BAUMA1	PG-TO263-7-1	16mΩ NovalithIC™, high current PN half-bridge driver, 47A, status flag, 4.5 to 28V operating range, tape & reel
■ BTN7970B	SP000299769	BTN7970BAUMA1	PG-TO263-7-1	16mΩ NovalithIC™, high current PN half-bridge driver, 70A, status flag, 5.5 to 28V operating range, tape & reel
■ BTN7970P	SP000355967	BTN7970PAKSA1	PG-TO220-7-11	17.6mΩ NovalithIC™, high current PN half-bridge driver, 70A, status flag, 5.5 to 28V operating range, tube
■ BTN7970S	SP000355961	BTN7970SAKSA1	PG-TO220-7-12	16.2mΩ NovalithIC™, high current PN half-bridge driver, 70A, status flag, 5.5 to 28V operating range, tube
■ BTN7971B	SP000379686	BTN7971BAUMA1	PG-TO263-7-1	16mΩ NovalithIC™, high current PN half-bridge driver, 70A, status flag, 4.5 to 28V operating range, tape & reel
■ BTN7973B	SP000481626	BTN7973BAUMA1	PG-TO263-7-1	16mΩ NovalithIC™, high current PN half-bridge driver, 70A, status flag, 4.5 to 28V operating range, tape & reel
▼ BTN8946TA	SP000784968	BTN8946TAAUMA1	PG-TO263-7-1	6.7mΩ NovalithIC™, high current PN half-bridge driver, 42A, 5.5 to 40V operating range, switching time 0.25μs, tape & reel
▼ BTN8960TA	SP000785172	BTN8960TAAUMA1	PG-TO263-7-1	14.2mΩ NovalithIC™, high current PN half-bridge driver, 42A, 6 to 40V operating range, status flag, tape & reel
▼ BTN8962TA	SP001054232	BTN8962TAAUMA1	PG-TO263-7-1	14.2mΩ NovalithIC™, high current PN half-bridge driver, 42A, 5.5 to 40V operating range, switching time 0.25μs, tape & reel
▼ BTN8980TA	SP000785250	BTN8980TAAUMA1	PG-TO263-7-1	10mΩ NovalithIC™, high current PN half-bridge driver, 42A, 6 to 40V operating range, status flag, tape & reel
▼ BTN8982TA	SP001054216	BTN8982TAAUMA1	PG-TO263-7-1	10mΩ NovalithIC™, high current PN half-bridge driver, 70A, 5.5 to 40V operating range, switching time 0.25μs, tape & reel

SMD = Surface Mounted Device

Power Semiconductors

Type	Ordering Code	Orderable Part Number	Package	Description
Power Management ICs				
IGBT Gate Driver ICs				
EiceDRIVER™				
1ED020112-B2	SP000898878	1ED020112B2XUMA1	PG-DSO-16-15	Single IGBT driver IC, (600/1200V) gate drive currents of ±2A (EiceDRIVER™), basic isolation, tape & reel
1ED020112-BT	SP000920032	1ED020112BTXUMA1	PG-DSO-16-15	Single IGBT driver IC, (600/1200V) gate drive currents of ±2A (EiceDRIVER™), two level turn-off, tape & reel
■ 1ED020112-F	SP000922444	1ED020112FXUMA2	PG-DSO-16-15	Single IGBT driver IC, (600/1200V) gate drive currents of ±2A (EiceDRIVER™), tape & reel
1ED020112-F2	SP000920028	1ED020112F2XUMA1	PG-DSO-16-15	Single IGBT driver IC, (600/1200V) gate drive currents of ±2A (EiceDRIVER™), tape & reel
1ED020112-FT	SP000920030	1ED020112FTXUMA1	PG-DSO-16-15	Single IGBT driver IC, (600/1200V) gate drive currents of ±2A (EiceDRIVER™), two level turn-off, tape & reel
▼ 1ED020112FA2	SP001080574	1ED020112FA2XUMA2	PG-DSO-20-55	Single IGBT driver IC, (600/1200V) gate drive currents of ±2A (EiceDRIVER™), automotive qualified, tape & reel
▼ 1ED020112FTA	SP001054670	1ED020112FTAXUMA2	PG-DSO-20-55	Single IGBT driver IC, (600/1200V) gate drive currents of ±2A (EiceDRIVER™), automotive qualified, two level turn-off, tape & reel
▼ 1EDI30J12CL	SP000914420	1EDI30J12CLXUMA1	PG-DSO-16-15	Single Channel Direct Drive IC, (1200V) gate drive currents of ±3A (EiceDRIVER™), tape & reel
▼ 1EDI30J12CP	SP000923984	1EDI30J12CPXUMA1	PG-DSO-19-1	Single Channel Direct Drive IC, (1200V) gate drive currents of ±3A (EiceDRIVER™), tape & reel
2ED020112-F1	SP000265782	2ED020112FIXUMA1	PG-DSO-18-2	Half bridge IGBT driver IC (1200V), gate drive currents of +1A/-2A (EiceDRIVER™), tape & reel
2ED020112-F2	SP000920036	2ED020112F2XUMA1	PG-DSO-36-58	Half bridge IGBT driver IC (600/1200V), gate drive currents of ±2A (EiceDRIVER™), tape & reel
▼ 2ED020112FA	SP001054678	2ED020112FAXUMA2	PG-DSO-36	Half bridge IGBT driver IC (600V), gate drive currents of +1A/-2A (EiceDRIVER™), automotive qualified, tape & reel
2ED020106-F1	SP000776988	2ED020106FIXUMA1	PG-DSO-18-2	Half bridge IGBT driver IC (600V), gate drive currents of +1A/-2A (EiceDRIVER™), tape & reel
6ED003L02-F2	SP000919390	6ED003L02F2XUMA1	PG-TSSOP-28	Integrated 3-phase bridge driver IGBT/MOS (200V), (EiceDRIVER™), tape & reel
6ED003L06-F2	SP000929928	6ED003L06F2XUMA1	PG-DSO-28	Integrated 3-phase bridge driver IGBT/MOS (600V), (EiceDRIVER™), tape & reel
6EDL04I06NT	SP000926082	6EDL04I06NTXUMA1	PG-DSO-28	Integrated 3-phase bridge driver IGBT/MOS (600V), (EiceDRIVER™), input logic negative, tape & reel
6EDL04I06PT	SP000926088	6EDL04I06PTXUMA1	PG-DSO-28	Integrated 3-phase bridge driver IGBT/MOS (600V), (EiceDRIVER™), input logic positive, tape & reel
6EDL04N02PR	SP000926072	6EDL04N02PRXUMA1	PG-TSSOP-28	Integrated 3-phase bridge driver IGBT/MOS (200V), (EiceDRIVER™), input logic positive, tape & reel
6EDL04N06PT	SP000926102	6EDL04N06PTXUMA1	PG-DSO-28	Integrated 3-phase bridge driver IGBT/MOS (600V), (EiceDRIVER™), input logic positive, tape & reel

SMD = Surface Mounted Device

Type	Ordering Code	Orderable Part Number	Package	Description
Power Management ICs				
IGBT Gate Driver ICs				
EiceDRIVER™ Compact				
▼ 2EDL05I06BF	SP001070344	2EDL05I06BFXUMA1	PG-DSO-8	Half bridge IGBT driver IC (600V), gate drive currents of +0.25A/-0.5A (EiceDRIVER™), no deadtime, no interlock, tape & reel
▼ 2EDL05I06PF	SP001048832	2EDL05I06PFXUMA1	PG-DSO-8	Half bridge IGBT driver IC (600V), gate drive currents of +0.25A/-0.5A (EiceDRIVER™), deadtime, interlock, tape & reel
▼ 2EDL05I06PJ	SP001114156	2EDL05I06PJXUMA1	PG-DSO-14	Half bridge IGBT driver IC (600V), gate drive currents of +0.25A/-0.5A (EiceDRIVER™), deadtime, interlock, tape & reel
▼ 2EDL05N06PF	SP001048830	2EDL05N06PFXUMA1	PG-DSO-8	Half bridge MOSFET driver IC (600V), gate drive currents of +0.25A/-0.5A (EiceDRIVER™), deadtime, interlock, tape & reel
▼ 2EDL05N06PJ	SP001114078	2EDL05N06PJXUMA1	PG-DSO-14	Half bridge MOSFET driver IC (600V), gate drive currents of +0.25A/-0.5A (EiceDRIVER™), deadtime, interlock, tape & reel
▼ 2EDL23I06PJ	SP001080086	2EDL23I06PJXUMA1	PG-DSO-14	Half bridge IGBT driver IC (600V), gate drive currents of +1.8A/-2.3A (EiceDRIVER™), deadtime, interlock, Enable, fault, OCP, tape & reel
▼ 2EDL23N06PJ	SP001080088	2EDL23N06PJXUMA1	PG-DSO-14	Half bridge MOSFET driver IC (600V), gate drive currents of +1.8A/-2.3A (EiceDRIVER™), deadtime, interlock, Enable, fault, OCP, tape & reel

SMD = Surface Mounted Device

Power Semiconductors

Type	Ordering Code	Orderable Part Number	Package	Description
Coreless Transformer				
ISOFACE™				
ISO1H801G	SP000722122	ISO1H801GAUMA1	PG-DSO-36-10	Isolated power switch for industrial applications, 8-bit parallel/serial µC compatible interface, all types of resistive, inductive and capacitive loads, 0.625A high-side output, 5V operating voltage, tape & reel
ISO1H811G	SP000413798	ISO1H811GAUMA1	PG-DSO-36-10	Isolated power switch for industrial applications, 8-bit parallel/serial µC compatible interface, all types of resistive, inductive and capacitive loads, 0.625A high-side output, 3.3 - 5V operating voltage, UL508 compliant, isolated return path for DIAG signal, tape & reel
ISO1H812G	SP000413800	ISO1H812GAUMA1	PG-DSO-36-10	Isolated power switch for industrial applications, 8-bit parallel/serial µC compatible interface, all types of resistive, inductive and capacitive loads, 0.625A high-side output, 3.3 - 5V operating voltage, UL508 compliant, isolated return path for DIAG signal, tape & reel
ISO1H815G	SP000555576	ISO1H815GAUMA1	PG-DSO-36-10	Isolated power switch for industrial applications, 8-bit parallel/serial µC compatible interface, all types of resistive, inductive and capacitive loads, 1.2A high-side output, 3.3 - 5V operating voltage, isolated return path for DIAG signal, tape & reel
ISO1H816G	SP000555578	ISO1H816GAUMA1	PG-DSO-36-10	Isolated power switch for industrial applications, 8-bit parallel/serial µC compatible interface, all types of resistive, inductive and capacitive loads, 1.2A high-side output, 3.3 - 5V operating voltage, isolated return path for DIAG signal, tape & reel
ISO1I811T	SP000876494	ISO1I811TXUMA1	PG-TSSOP-48	Isolated 8-channel digital input with IEC61131-2 type 1/2/3 characteristics for industrial applications, status LED output for each input, 3.3 - 5V operating voltage, isolation between input and output using Coreless Transformer Technology, 125-kHz sampling frequency, tape & reel
ISO1I813T	SP000876504	ISO1I813TXUMA1	PG-TSSOP-48	Isolated 8-channel digital input with IEC61131-2 type 1/2/3 characteristics for industrial applications, status LED output for each input, 3.3 - 5V operating voltage, isolation between input and output using Coreless Transformer Technology, 500-kHz sampling frequency, tape & reel

SMD = Surface Mounted Device

Type	Ordering Code	Orderable Part Number	Package	Description
Power Management ICs				
Automotive Linear Voltage Regulators				
Adjustable Standard Regulators				
■ TLE4276DV	SP000300955	TLE4276DVATMA1	PG-TO252-5-11	adj. voltage, $I_{out} = 400\text{mA}$, Inhibit, tape & reel
■ TLE4276GV	SP000306744	TLE4276GVATMA1	PG-TO263-5-1	
TLE4276-2DV	SP000409086	TLE42762DVATMA1	PG-TO252-5-11	adj. voltage, $I_{out} = 400\text{mA}$, Inhibit, short circuit protected, overtemperature protected, tape & reel
TLE4276-2GV	SP000409088	TLE42762GVATMA1	PG-TO263-5-1	
■ TLE4276SV	SP000357986	TLE4276SVAKSA1	PG-TO220-5-12	adj. voltage, $I_{out} = 400\text{mA}$, Inhibit, tube
TLE4284DV	SP000356994	TLE4284DVATMA1	PG-TO252-3-11	adj. voltage, $I_{out} = 1\text{A}$, short circuit protected, overtemperature protected, tape & reel
TLF1963TB	SP000878308	TLF1963TBATMA1	PG-TO263-5-1	adj. voltage, $I_{out} = 1.500\text{mA}$, overtemperature protected, suitable for use as post regulator, tape & reel
TLF1963TE	SP000993526	TLF1963TEATMA1	PG-TO252-5-11	adj. voltage, $I_{out} = 1.500\text{mA}$, overtemperature protected, suitable for use as post regulator, tape & reel
TLF4277EL	SP000438718	TLF4277ELXUMA1	PG-SSOP-14 EP	adj. voltage, $I_{out} = 200\text{mA}$, with integrated current monitor, short circuit protected, overtemperature protected, tape & reel

1.5 - 3.3V Standard Regulators

TLE4295G V26	SP000012503	TLE4295GV26NTSA1	PG-SCT595-5	2.6V, $I_{out} = 30\text{mA}$, Reset, Power fail, tape & reel
TLE4295G V26	SP000294730	TLE4295GV26HTMA1	PG-SCT595-5	
TLE4295G V26	SP000950324	TLE4295GV26HTSA1	PG-SCT595-5	
TLE4295G V30	SP000012502	TLE4295GV30NTSA1	PG-SCT595-5	3V, $I_{out} = 30\text{mA}$, Reset, Power fail, tape & reel
TLE4295G V30	SP000950306	TLE4295GV30HTSA1	PG-SCT595-5	
TLE4295G V33	SP000950292	TLE4295GV33HTSA1	PG-SCT595-5	3.3V, $I_{out} = 30\text{mA}$, Reset, Power fail, tape & reel
TLE4296G V30	SP000950200	TLE4296GV30HTSA1	PG-SCT595-5	3V, $I_{out} = 30\text{mA}$, Inhibit, tape & reel
TLE4296G V33	SP000950236	TLE4296GV33HTSA1	PG-SCT595-5	3.3V, $I_{out} = 30\text{mA}$, Inhibit, tape & reel
TLE4296-2G V33	SP000014332	TLE42962GV33HTSA1	PG-SCT595-5	3.3V, $I_{out} = 30\text{mA}$, Inhibit, reduced quiescent current, tape & reel
TLE4275D V33	SP000262517	TLE4275DV33ATMA1	PG-TO252-5-11	3.3V, $I_{out} = 400\text{mA}$, Reset, tape & reel
TLE4275G V33	SP000262524	TLE4275GV33ATMA1	PG-TO263-5-1	
■ TLE4274D V33	SP000362357	TLE4274DV33ATMA1	PG-TO252-3-11	3.3V, $I_{out} = 400\text{mA}$, tape & reel
TLE4274GS V25	SP000395822	TLE4274GSV25HTSA1	PG-SOT223-4	2.5V, $I_{out} = 400\text{mA}$, tape & reel
■ TLE4274GS V33	SP000396456	TLE4274GSV33HTSA1	PG-SOT223-4	3.3V, $I_{out} = 400\text{mA}$, tape & reel
TLE4284D V15	SP000362366	TLE4284DV15ATMA1	PG-TO252-3-11	1.5V, $I_{out} = 1\text{A}$, short circuit protected, overtemperature protected, tape & reel
TLE4284D V18	SP000300973	TLE4284DV18ATMA1	PG-TO252-3-11	1.8V, $I_{out} = 1\text{A}$, short circuit protected, overtemperature protected, tape & reel
TLE4284D V26	SP000362369	TLE4284DV26ATMA1	PG-TO252-3-11	2.6V, $I_{out} = 1\text{A}$, short circuit protected, overtemperature protected, tape & reel
TLE4284D V33	SP000362370	TLE4284DV33ATMA1	PG-TO252-3-11	3.3V, $I_{out} = 1\text{A}$, short circuit protected, overtemperature protected, tape & reel
TLE42994E V33	SP000678668	TLE42994EV33XUMA1	PG-SSOP-14 EP	3.3V, $I_{out} = 150\text{mA}$, Reset, early warning, Enable function, tape & reel
TLE42994GM V33	SP000678670	TLE42994GMV33XUMA1	PG-DSO-14-30	

5V Standard Regulators ($\leq 200\text{mA}$ output current)

TLE4285G	SP000011850	TLE4285GHTSA1	PG-SCT595-5	5V, $I_{out} = 15\text{mA}$, Power fail, tape & reel
TLE4286G	SP000011851	TLE4286GNTSA1	PG-SCT595-5	5V, $I_{out} = 15\text{mA}$, Inhibit, tape & reel
TLE4286G	SP000950138	TLE4286GHTSA1	PG-SCT595-5	
TLE4294G V50	SP000361641	TLE4294GV50HTSA1	PG-SCT595-5	5V, $I_{out} = 30\text{mA}$, Inhibit, reduced quiescent current, tape & reel

SMD = Surface Mounted Device

Power Semiconductors

Type	Ordering Code	Orderable Part Number	Package	Description
------	---------------	-----------------------	---------	-------------

Power Management ICs

Automotive Linear Voltage Regulators

5V Standard Regulators ($\leq 200\text{mA}$ output current)

(cont'd)

TLE4295G V50	SP000950272	TLE4295GV50HTSA1	PG-SCT595-5	5V, $I_{\text{out}} = 30\text{mA}$, Reset, Power fail, tape & reel
TLE4296G V50	SP000950240	TLE4296GV50HTSA1	PG-SCT595-5	5V, $I_{\text{out}} = 30\text{mA}$, Inhibit, tape & reel
TLE4296-2G V50	SP000014333	TLE42962GV50HTSA1	PG-SCT595-5	5V, $I_{\text{out}} = 30\text{mA}$, Inhibit, reduced quiescent current, tape & reel
■ TLE4264G	SP000300936	TLE4264GHTSA1	PG-SOT223-4	5V, $I_{\text{out}} = 150\text{mA}$, tape & reel
TLE42644G	SP001159844	TLE42644GHTSA3	PG-SOT223-4	5V, $I_{\text{out}} = 100\text{mA}$, tape & reel
TLE42344G	SP000719022	TLE42344GHTSA1	PG-SOT223-4	5V, $I_{\text{out}} = 100\text{mA}$, tape & reel
TLE42364G	SP000719024	TLE42364GHTMA1	PG-SOT223-4	5V, $I_{\text{out}} = 100\text{mA}$, Enable function, tape & reel
■ TLE4266G	SP000300941	TLE4266GHTMA1	PG-SOT223-4	5V, $I_{\text{out}} = 150\text{mA}$, Inhibit, tape & reel
TLE42664G	SP001159808	TLE42664GHTMA2	PG-SOT223-4	5V, $I_{\text{out}} = 100\text{mA}$, Inhibit, tape & reel
■ TLE4269G	SP000300944	TLE4269GXUMA1	PG-DSO-8-16	5V, $I_{\text{out}} = 150\text{mA}$, Reset, early warning, tape & reel
TLE4269GL	SP000306742	TLE4269GLXUMA1	PG-DSO-20-35	
■ TLE4269GM	SP000306726	TLE4269GMXUMA1	PG-DSO-14-30	
■ TLE4279G	SP000306727	TLE4279GXUMA1	PG-DSO-8-16	5V, $I_{\text{out}} = 150\text{mA}$, Reset, early warning, tape & reel
■ TLE4279GM	SP000306728	TLE4279GMXUMA1	PG-DSO-14-30	
TLE4278G	SP000305157	TLE4278GXUMA1	PG-DSO-14-30	5V, $I_{\text{out}} = 160\text{mA}$, Reset, Watchdog, tape & reel
TLE4262G	SP000306732	TLE4262GXUMA1	PG-DSO-20-6	5V, $I_{\text{out}} = 200\text{mA}$, Reset, Inhibit, tape & reel
TLE4262GM	SP000306723	TLE4262GMXUMA1	PG-DSO-14-30	
TLE4263G	SP000300935	TLE4263GXUMA1	PG-DSO-20-35	5V, $I_{\text{out}} = 200\text{mA}$, Reset, Inhibit, Watchdog, tape & reel
TLE4263GM	SP000300931	TLE4263GMXUMA1	PG-DSO-14-30	
TLE4263GS	SP000306724	TLE4263GSXUMA1	PG-DSO-8-16	
TLE4263-2ES	SP000366102	TLE42632ESXUMA1	PG-DSO-8-16 EP	5V, $I_{\text{out}} = 100\text{mA}$, Reset, early warning, tape & reel
TLE42694E	SP000371264	TLE42694EXUMA1	PG-SSOP-14 EP	
TLE42694G	SP000317802	TLE42694GXUMA1	PG-DSO-8-16	5V, $I_{\text{out}} = 100\text{mA}$, Reset, early warning, tape & reel
TLE42694GM	SP000317800	TLE42694GMXUMA1	PG-DSO-14-30	
▼ TLE42694-2EL	SP000948644	TLE426942ELXUMA1	PG-SSOP-14 EP	5V, $I_{\text{out}} = 150\text{mA}$, Reset, early warning, tape & reel
TLE42794E	SP000371265	TLE42794EXUMA1	PG-SSOP-14 EP	
TLE42794G	SP000358646	TLE42794GXUMA1	PG-DSO-8-16	5V, $I_{\text{out}} = 150\text{mA}$, Reset, early warning, tape & reel
TLE42794GM	SP000358648	TLE42794GMXUMA1	PG-DSO-14-30	
TLE42994E	SP000371266	TLE42994EXUMA1	PG-SSOP-14 EP	5V, $I_{\text{out}} = 150\text{mA}$, Reset, early warning, Enable function, tape & reel
TLE42994G	SP000253851	TLE42994GXUMA1	PG-DSO-8-16	
TLE42994GM	SP000253853	TLE42994GMXUMA1	PG-DSO-14-30	
TLE4268G	SP000300943	TLE4268GXUMA1	PG-DSO-20-35	5V, $I_{\text{out}} = 180\text{mA}$, Reset, Watchdog, tape & reel
TLE4268GS	SP000306725	TLE4268GSXUMA1	PG-DSO-8-16	
TLE4678EL	SP000677644	TLE4678ELXUMA1	PG-SSOP-14	5V, $I_{\text{out}} = 200\text{mA}$, Reset, Watchdog, tape & reel
TLE4678GM	SP000358635	TLE4678GMXUMA1	PG-DSO-14-30	
TLE4699E	SP000358639	TLE4699EXUMA1	PG-SSOP-14 EP	5V, $I_{\text{out}} = 200\text{mA}$, Reset, early warning, Enable function, tape & reel
TLE4699GM	SP000479486	TLE4699GMXUMA1	PG-DSO-14-30	

5V Standard Regulators ($> 200\text{mA}$ output current)

TLE4287G	SP000362372	TLE4287GXUMA1	PG-DSO-14-8	5V, $I_{\text{out}} = 250\text{mA}$, Reset, Inhibit, tape & reel
TLE4267G	SP000357710	TLE4267GATMA1	PG-TO263-7-1	5V, $I_{\text{out}} = 400\text{mA}$, Reset, Inhibit, tape & reel
TLE4267GM	SP000306737	TLE4267GMXUMA1	PG-DSO-14-30	
TLE4267S	SP000011771	TLE4267SNKSA1	P-TO220-7-230	5V, $I_{\text{out}} = 400\text{mA}$, Reset, Inhibit, tube
TLE4267-2G	SP000559108	TLE42672GATMA2	PG-TO263-7-1	5V, $I_{\text{out}} = 400\text{mA}$, short circuit protected, overtemperature protected, tape & reel
■ TLE4274 V50	SP000269680	TLE4274V50AKSA1	PG-TO220-3-1	5V, $I_{\text{out}} = 400\text{mA}$, tube
■ TLE4274D V50	SP000300149	TLE4274DV50ATMA1	PG-TO252-3-11	5V, $I_{\text{out}} = 400\text{mA}$, tape & reel
■ TLE4274G V50	SP000300975	TLE4274GV50ATMA1	PG-TO263-3-1	

SMD = Surface Mounted Device

Type	Ordering Code	Orderable Part Number	Package	Description
Power Management ICs				
Automotive Linear Voltage Regulators				
5V Standard Regulators (> 200mA output current)				
(cont'd)				
■ TLE4276D V50	SP000306323	TLE4276DV50ATMA1	PG-TO252-5-11	5V, $I_{out} = 400\text{mA}$, Inhibit, tape & reel
■ TLE4276G V50	SP000306743	TLE4276GV50ATMA1	PG-TO263-5-1	
■ TLE4275D	SP000300949	TLE4275DATMA1	PG-TO252-5-11	5V, $I_{out} = 400\text{mA}$, Reset, tape & reel
■ TLE4275G	SP000297816	TLE4275GATMA1	PG-TO263-5-1	
TLE4290D	SP000360722	TLE4290DATMA1	PG-TO252-5-11	5V, $I_{out} = 450\text{mA}$, Power Good, tape & reel
TLE4290G	SP000362375	TLE4290GATMA1	PG-TO263-5-1	
TLE4291E	SP000754260	TLE4291EXUMA1	PG-SSOP-14 EP	5V, $I_{out} = 450\text{mA}$, Reset, tape & reel
TLE4270-2S	SP000304936	TLE42702SAKSA1	PG-TO220-5-12	5V, $I_{out} = 550\text{mA}$, Reset, tube
TLE4270-2D	SP000304937	TLE42702DATMA1	PG-TO252-5-11	
TLE4270-2G	SP000304929	TLE42702GATMA1	PG-TO263-5-1	5V, $I_{out} = 550\text{mA}$, Reset, tape & reel
■ TLE4271-2	SP000306836	TLE42712AKSA1	PG-TO220-7-11	5V, $I_{out} = 550\text{mA}$, Reset, Inhibit, Watchdog, tube
■ TLE4271-2S	SP000306320	TLE42712SAKSA1	PG-TO220-7-12	
TLE4271-2G	SP000300945	TLE42712GATMA1	PG-TO263-7-1	5V, $I_{out} = 550\text{mA}$, Reset, Inhibit, Watchdog, tape & reel
TLE4284D V50	SP000362371	TLE4284DV50ATMA1	PG-TO252-3-11	5V, $I_{out} = 1\text{A}$, short circuit protected, overtemperature protected, tape & reel
TLE42754D	SP000354517	TLE42754DATMA1	PG-TO252-5-11	
TLE42754G	SP000354518	TLE42754GATMA1	PG-TO263-5-1	5V, $I_{out} = 450\text{mA}$, Reset, overtemperature protected, tape & reel
TLE42754E	SP000441598	TLE42754EXUMA1	PG-SSOP-14EP	
TLE4675D	SP000315008	TLE4675DATMA1	PG-TO252-5-11	5V, $I_{out} = 400\text{mA}$, Reset, tape & reel
TLE4675G	SP000315009	TLE4675GATMA1	PG-TO263-5-1	
TLF80511TC	SP000906390	TLF80511TCATMA1	PG-TO263-3	5V, $I_{out} = 400\text{mA}$, overtemperature shutdown, tape & reel

8.5V and 10V Standard Regulators

TLE4266GS V10	SP000317563	TLE4266GSV10HTMA1	PG-SOT223-4	10V, $I_{out} = 120\text{mA}$, Inhibit, tape & reel
■ TLE4274G V10	SP000362359	TLE4274GV10ATMA1	PG-TO263-3-1	10V, $I_{out} = 400\text{mA}$, tape & reel
■ TLE4274G V85	SP000362362	TLE4274GV85ATMA1	PG-TO263-3-1	8.5V, $I_{out} = 400\text{mA}$, tape & reel
■ TLE4274 V10	SP000011811	TLE4274V10NKSA1	P-TO220-3-1	10V, $I_{out} = 400\text{mA}$, Inhibit, tube
■ TLE4276G V85	SP000357978	TLE4276GV85ATMA1	PG-TO263-5-1	8.5V, $I_{out} = 400\text{mA}$, Inhibit, tape & reel
■ TLE4276G V10	SP000300972	TLE4276GV10ATMA1	PG-TO263-5-1	10V, $I_{out} = 400\text{mA}$, Inhibit, tape & reel

Adjustable Ultra Low Quiescent Regulators

TLE42764DV	SP000427326	TLE42764DVATMA1	PG-TO252-5-11	adjustable voltage, $I_{out} = 400\text{mA}$, short circuit protected, overtemperature protected, Enable function, tape & reel
TLE42764GV	SP000427324	TLE42764GVATMA1	PG-TO263-5-1	

2.6V and 3.3V Ultra Low Quiescent Regulators

TLE4266-2GS V33	SP000804764	TLE42662GSV33HTMA2	PG-SOT223-4	3.3V, $I_{out} = 150\text{mA}$, Inhibit, tape & reel
TLE42744D V33	SP000644994	TLE42744DV33ATMA1	PG-TO252-3-11	
TLE42744G V33	SP000619810	TLE42744GV33ATMA1	PG-TO263-3-1	3.3V, $I_{out} = 400\text{mA}$, tape & reel
TLE42744GS V33	SP000653070	TLE42744GSV33HUMA1	PG-SOT223-4	
TLE4299GM V33	SP000300974	TLE4299GMV33XUMA1	PG-DSO-14-30	3.3V, $I_{out} = 150\text{mA}$, Inhibit, early warning, tape & reel
TLE4299G V33	SP000306730	TLE4299GV33XUMA1	PG-DSO-8-16	
TLE7273-2G V26	SP000369461	TLE72732GV26XUMA1	PG-DSO-14-4	2.6V, $I_{out} = 180\text{mA}$, Inhibit, Reset, Window Watchdog, tape & reel

SMD = Surface Mounted Device

Power Semiconductors

Type	Ordering Code	Orderable Part Number	Package	Description
------	---------------	-----------------------	---------	-------------

Power Management ICs

Automotive Linear Voltage Regulators

2.6V and 3.3V Ultra Low Quiescent Regulators

(cont'd)

TLE7273-2G V33	SP000369462	TLE72732GV33XUMA1	PG-DSO-14-4	3.3V, $I_{out} = 180\text{mA}$, Inhibit, Reset, Window Watchdog, tape & reel
TLE7278-2G V26	SP000369465	TLE72782GV26XUMA1	PG-DSO-14-4	2.6V, $I_{out} = 180\text{mA}$, Inhibit, Reset, Watchdog, tape & reel
TLE7278-2G V33	SP000369466	TLE72782GV33XUMA1	PG-DSO-14-4	3.3V, $I_{out} = 180\text{mA}$, Inhibit, Reset, Watchdog, tape & reel
TLE7279-2G V26	SP000369469	TLE72792GV26XUMA1	PG-DSO-14-4	2.6V, $I_{out} = 180\text{mA}$, Inhibit, Reset, early warning, tape & reel
TLE7279-2G V33	SP000369470	TLE72792GV33XUMA1	PG-DSO-14-4	3.3V, $I_{out} = 180\text{mA}$, Inhibit, Reset, early warning, tape & reel
TLF2931G V33	SP000848486	TLF2931GV33XUMA1	PG-DSO-8	3.3V, $I_{out} = 100\text{mA}$, mirror-image insertion protection, overtemperature shutdown, tape & reel

5V Ultra Low Quiescent Current Regulators

TLE4264-2G	SP000804364	TLE42642GHTSA2	PG-SOT223-4	5V, $I_{out} = 150\text{mA}$, tape & reel
TLE4266-2G	SP000804726	TLE42662GHTMA2	PG-SOT223-4	5V, $I_{out} = 150\text{mA}$, Inhibit, tape & reel
TLE42744E V50	SP000540120	TLE42744EV50XUMA1	PG-SSOP-14 EP	5V, $I_{out} = 400\text{mA}$, tape & reel
TLE42744D V50	SP000461576	TLE42744DV50ATMA1	PG-TO252-3-11	
TLE42744G V50	SP000463264	TLE42744GV50ATMA1	PG-TO263-3-1	
TLE42764D V50	SP000636156	TLE42764DV50ATMA1	PG-TO252-5-11	5V, $I_{out} = 400\text{mA}$, short circuit protected, overtemperature protected, Enable function, tape & reel
TLE42764G V50	SP000636154	TLE42764GV50ATMA1	PG-TO263-5-1	
TLE42764E V50	SP000707564	TLE42764EV50XUMA1	PG-SSOP-14 EP	
TLE7270-2D	SP000457356	TLE72702DATMA1	PG-TO252-5-1	5V, $I_{out} = 300\text{mA}$, Reset, tape & reel
TLE7270-2E	SP000457382	TLE72702EXUMA1	PG-SSOP-14 EP	
TLE7270-2G	SP000457384	TLE72702GATMA1	PG-TO263-5-1	
TLE7272-2D	SP000468052	TLE72722DATMA1	PG-TO252-5-1	5V, $I_{out} = 300\text{mA}$, Reset, Inhibit, tape & reel
TLE7272-2E	SP000457386	TLE72722EXUMA1	PG-SSOP-14 EP	
TLE7273-2E V50	SP000369460	TLE72732EV50XUMA1	PG-SSOP-14 EP	5V, $I_{out} = 180\text{mA}$, Inhibit, Reset, Window Watchdog, tape & reel
TLE7273-2G V50	SP000369463	TLE72732GV50XUMA1	PG-DSO-14-4	
■ TLE7274D	SP000055849	TLE7274DNTMA1	P-TO252-3-1	5V, $I_{out} = 300\text{mA}$, short circuit protected, tape & reel
TLE7274-2D	SP000468054	TLE72742DATMA1	PG-TO252-3	
TLE7274-2E	SP000457388	TLE72742EXUMA1	PG-SSOP-14 EP	
TLE7274-2G	SP000468056	TLE72742GATMA1	PG-TO263-3	
TLE7276-2D	SP000457394	TLE72762DATMA1	PG-TO252-5-1	5V, $I_{out} = 300\text{mA}$, Inhibit, tape & reel
TLE7276-2E	SP000457396	TLE72762EXUMA1	PG-SSOP-14 EP	
TLE7278-2E V50	SP000369464	TLE72782EV50XUMA1	PG-SSOP-14 EP	5V, $I_{out} = 180\text{mA}$, Inhibit, Reset, Watchdog, tape & reel
TLE7278-2G V50	SP000369467	TLE72782GV50XUMA1	PG-DSO-14-4	
TLE7279-2E V50	SP000369468	TLE72792EV50XUMA1	PG-SSOP-14 EP	5V, $I_{out} = 180\text{mA}$, Inhibit, Reset, early warning, tape & reel
TLE7279-2G V50	SP000369471	TLE72792GV50XUMA1	PG-DSO-14-4	
TLF2931G V50	SP000848484	TLF2931GV50XUMA1	PG-DSO-8	5V, $I_{out} = 100\text{mA}$, mirror-image insertion protection, overtemperature shutdown, tape & reel
TLF4949EJ	SP000766896	TLF4949EJXUMA1	PG-DSO-8-16 EP	5V, $I_{out} = 100\text{mA}$, thermal shutdown and short-circuit protection, tape & reel
TLF4949SJ	SP000766902	TLF4949SJXUMA1	PG-DSO-8-16	5V, $I_{out} = 100\text{mA}$, thermal shutdown and short-circuit protection, tape & reel

SMD = Surface Mounted Device

Type	Ordering Code	Orderable Part Number	Package	Description
------	---------------	-----------------------	---------	-------------

Power Management ICs**Automotive Constant Current Relay Driver**

▼ TLE4247EL30	SP001065752	TLE4247EL30XUMA1	PG-DSO-8 EP	Coil/relay driver, reduces relay hold current to min. 24mA (typ.30mA), overtemperature protected, tape & reel
TLE4247EL40	SP000558508	TLE4247EL40XUMA1	PG-DSO-8 EP	Coil/relay driver, reduces relay hold current to min. 40mA, overtemperature protected, tape & reel

Multiple Regulators

TLE4470G	SP000306745	TLE4470GXUMA1	PG-DSO-20-6	5V + 5V, $I_{out} = 180\text{mA}/350\text{mA}$, Reset, early warning, tape & reel
TLE4470GS	SP000306746	TLE4470GSXUMA1	PG-DSO-14-4	5V + adj. voltage, $I_{out} = 180\text{mA}/350\text{mA}$, Reset, early warning, tape & reel
TLE4471G	SP000305246	TLE4471GAUMA1	PG-DSO-20-12	5V + 5V + 5V, 2 tracked outputs 100mA/50mA, Reset, Watchdog tape & reel
TLE4473G V53	SP000557254	TLE4473GV53AUMA1	PG-DSO-12-6	5V + 3.3V, $I_{out} = 180\text{mA}/300\text{mA}$, Watchdog, tape & reel
TLE4473G V55-2	SP000295344	TLE4473GV552AUMA1	PG-DSO-12-11	5V + 5V, $I_{out} = 190\text{mA}/300\text{mA}$, Reset, Inhibit, Watchdog, tape & reel
TLE7469GV52	SP000316703	TLE7469GV52AUMA1	PG-DSO-12-4	5V + 2.6V, $I_{out} = 300\text{mA}/320\text{mA}$, Inhibit, Reset, Watchdog, tape & reel
TLE7469GV53	SP000316704	TLE7469GV53AUMA1	PG-DSO-12-4	5V + 3.3V, $I_{out} = 300\text{mA}/320\text{mA}$, Inhibit, Reset, Watchdog, tape & reel

Voltage Tracker

TLE4250-2G	SP000255450	TLE42502GHTSA1	PG-SCT595-5	adj. voltage, $I_{out} = 50\text{mA}$, Inhibit, tape & reel
TLE4251D	SP000258501	TLE4251DATMA1	PG-TO252-5-1	adj. voltage, $I_{out} = 400\text{mA}$, Inhibit, tape & reel
TLE4251G	SP000306322	TLE4251GATMA1	PG-TO263-5-1	
TLE4252D	SP000300938	TLE4252DATMA1	PG-TO252-5-1	adj. voltage, $I_{out} = 250\text{mA}$, Inhibit, tape & reel
TLE4252G	SP000393071	TLE4252GATMA1	PG-TO263-5-1	
TLE4253GS	SP000253854	TLE4253GSXUMA1	PG-DSO-8-10	adj. voltage, $I_{out} = 250\text{mA}$, Inhibit, tape & reel
TLE4253E	SP000484230	TLE4253EXUMA1	PG-DSO-8 EP	
TLE4254GA	SP000297354	TLE4254GAXUMA1	PG-DSO-8-10	adj. voltage, $I_{out} = 70\text{mA}$, Inhibit, tape & reel
TLE4254GS	SP000297353	TLE4254GSXUMA1	PG-DSO-8-10	adj. voltage, $I_{out} = 70\text{mA}$, Inhibit, status output to indicate short circuits at the output, tape & reel
TLE4254EJ A	SP000358630	TLE4254EJAXUMA1	PG-DSO-8 EP	adj. voltage, $I_{out} = 70\text{mA}$, Inhibit, tape & reel
TLE4254EJ S	SP000358633	TLE4254EJSXUMA1	PG-DSO-8 EP	adj. voltage, $I_{out} = 70\text{mA}$, Inhibit, status output to indicate short circuits at the output, tape & reel

SMD = Surface Mounted Device

Power Semiconductors

Type	Ordering Code	Orderable Part Number	Package	Description
Power Management ICs				
Automotive DC/DC Converter				
TLE6365G	SP000317609	TLE6365GXUMA1	PG-DSO-8-3	Step-down voltage regulator with reset, input voltage range 8V to 40V, tape & reel
TLE6368G2	SP000656590	TLE6368G2AUMA1	PG-DSO-36-26	Multi-voltage processor power supply, 5.5V, Reset, Watchdog, tape & reel
TLE6389-2GV	SP000317611	TLE63892GVXUMA1	PG-DSO-14-1	Step-down DC/DC controller with external P-channel MOSFET, adjustable output voltage, early warning, tape & reel
TLE6389-2G V50	SP000317610	TLE63892GV50XUMA1	PG-DSO-14-1	Step-down DC/DC controller with external P-channel MOSFET, 5V, RO-hysteresis, early warning, tape & reel
TLE6389-3G V50	SP000317612	TLE63893GV50XUMA1	PG-DSO-14-1	Step-down DC/DC controller with external P-channel MOSFET, 5V, RO-hysteresis 1V, early warning, tape & reel
TLE6711G	SP000317613	TLE6711GXUMA1	PG-DSO-14-1	Boost/buck multifunctional voltage regulator, Watchdog, tape & reel
TLE6711GL	SP000317614	TLE6711GLXUMA1	PG-DSO-20-36	
TLE7368E	SP000307244	TLE7368EXUMA1	PG-DSO-36-24	Next generation micro controller supply, 3 linear post regulators (5V, 3.3/2.6V, 1.5V), selectable stand-by-Vreg (1.0) and 2 voltage trackers (5V), Reset, Watchdog, tape & reel
TLE7368-2E	SP000768086	TLE73682EXUMA1	PG-DSO-36	Next generation micro controller supply, 3 linear post regulators (5V, 3.3/2.6V, 1.2 V), selectable stand-by-Vreg (1.0) and 2 voltage trackers (5V), Reset, Watchdog, tape & reel
TLE7368-3E	SP000794336	TLE73683EXUMA1	PG-DSO-36	Next generation micro controller supply, 3 linear post regulators (5V, 3.3/2.6V, 1.3V), selectable stand-by-Vreg (1.0) and 2 voltage trackers (5V), Reset, Watchdog, tape & reel
TLE8366EV	SP000297388	TLE8366EVXUMA1	PG-DSO-8-27 EP	1.8A DC/DC step-down voltage regulator, adj. voltage, tape & reel
TLE8366E V33	SP000549726	TLE8366EV33XUMA1	PG-DSO-8-27 EP	3.3V, 1.8A DC/DC step-down voltage regulator, tape & reel
TLE8366E V50	SP000550310	TLE8366EV50XUMA1	PG-DSO-8-27 EP	5V, 1.8A DC/DC step-down voltage regulator, tape & reel
TLE8386EL	SP000426670	TLE8386ELXUMA1	PG-SSOP-14 EP	Smart Boost controller, adj. switching frequency, 5V, Enable function, tape & reel
TLE8386-2EL	SP000685670	TLE83862ELXUMA1	PG-SSOP-14 EP	Basic smart Boost controller, adj. switching frequency, 5V, Enable function, tape & reel
TLF50281EL	SP000819928	TLF50281ELXUMA1	PG-SSOP-14 EP	2.2-MHz step-down regulator 500mA, low quiescent current, 5V, tape & reel
▼ TLF51801ELV	SP000883324	TLF51801ELVXUMA1	PG-SSOP-14 EP	10A synchronous DC/DC step-down converter, adjustable output voltage, driving external power-stages, tape & reel

SMD = Surface Mounted Device

Type	Ordering Code	Orderable Part Number	Package	Description
Power Management ICs				
Industrial DC/DC Converter				
IFX80471SKV	SP000858402	IFX80471SKVXUMA1	PG-DSO-14	adj. voltage, 2.3mA DC/DC step-down voltage regulator, 360-kHz switching frequency, tape & reel
▼ IFX81481ELV	SP001159760	IFX81481ELVXUMA1	PG-SSOP-14 EP	adj. voltage, 10A DC/DC step-down voltage regulator, 100 - 700-kHz switching frequency, tape & reel
IFX80471 V50	SP000858404	IFX80471SKV50XUMA1	PG-DSO-14	5V, 2.3mA DC/DC step-down voltage regulator, 360-kHz switching frequency, tape & reel
IFX9104EJV	SP000619696	IFX91041EJVXUMA1	PG-DSO-8-27	1.8A DC/DC step-down voltage regulator, adj. voltage, 370-kHz switching frequency, tape & reel
IFX9104EJ V33	SP000660594	IFX91041EJV33XUMA1	PG-DSO-8-27	3.3V, 1.8A DC/DC step-down voltage regulator, 370-kHz switching frequency, tape & reel
IFX9104EJ V50	SP000660596	IFX91041EJV50XUMA1	PG-DSO-8-27	5V, 1.8A DC/DC step-down voltage regulator, 370-kHz switching frequency, tape & reel
▼ IFX90121EL V50	SP001118296	IFX90121ELV50XUMA1	PG-SSOP-14 EP	5V, 500mA DC/DC step-down voltage regulator with low quiescent current, 2.2-MHz switching frequency, tape & reel

Industrial Linear

TLE4305G	SP000362379	TLE4305GXUMA1	PG-DSO-8-1	High precision bipolar regulator, breakdown voltage up to 45V, tape & reel
----------	-------------	---------------	------------	--

8.5V and 10V Linear Voltage Regulators for Industrial and Consumer Applications

IFX25001TS V10	SP000623070	IFX25001TSV10AKSA1	PG-TO220-3-1	10V, $I_{out} = 400\text{mA}$, short circuit protected, overtemperature protected, tube
IFX25001TC V10	SP000623084	IFX25001TCV10ATMA1	PG-TO263-3	10V, $I_{out} = 400\text{mA}$, short circuit protected, overtemperature protected, tape & reel
IFX25001TS V85	SP000623094	IFX25001TSV85AKSA1	PG-TO220-3-1	8.5V, $I_{out} = 400\text{mA}$, short circuit protected, overtemperature protected, tube
IFX25001TC V85	SP000623112	IFX25001TCV85ATMA1	PG-TO263-3	8.5V, $I_{out} = 400\text{mA}$, overtemperature protected, short circuit protected, tape & reel

5V Linear Voltage Regulators for Industrial and Consumer Applications

IFX20001MB V50	SP000623428	IFX20001MBV50HTSA1	PG-SCT595-5	5V, $I_{out} = 30\text{mA}$, Inhibit, overtemperature protected, tape & reel
▼ IFX20002MB V50	SP001041644	IFX20002MBV50HTSA1	PG-SCT595-5	5V, $I_{out} = 30\text{mA}$, Enable, overtemperature protected, tape & reel
IFX24401EL V50	SP000639070	IFX24401ELV50XUMA1	PG-SSOP-14	5V, $I_{out} = 300\text{mA}$, short circuit protected, overtemperature protected, tape & reel
IFX24401TE V50	SP000660598	IFX24401TEV50ATMA1	PG-TO252-5	5V, $I_{out} = 300\text{mA}$, short circuit protected, overtemperature protected, tape & reel
IFX25001TS V50	SP000624196	IFX25001TSV50AKSA1	PG-TO220-3-1	5V, $I_{out} = 400\text{mA}$, short circuit protected, overtemperature protected, tube
IFX25001TC V50	SP000611474	IFX25001TCV50ATMA1	PG-TO263-3	5V, $I_{out} = 400\text{mA}$, short circuit protected, overtemperature protected, tape & reel
IFX25001TF V50	SP000614696	IFX25001TFV50ATMA1	PG-TO252-3	
IFX27001TF V50	SP000622990	IFX27001TFV50ATMA1	PG-TO252-3	5V, $I_{out} = 1\text{A}$, short circuit protected, overtemperature protected, tape & reel
IFX2931G V50	SP000431776	IFX2931GV50XUMA1	PG-DSO-8	5V, $I_{out} = 100\text{mA}$, overtemperature protected, tape & reel

SMD = Surface Mounted Device

Power Semiconductors

Type	Ordering Code	Orderable Part Number	Package	Description
------	---------------	-----------------------	---------	-------------

Power Management ICs

5V Linear Voltage Regulators for Industrial and Consumer Applications

(cont'd)

▼ IFX7805ABTC	SP000929566	IFX7805ABTCATMA1	PG-TO263-3	5V, $I_{out} = 1A$, short circuit protected, overtemperature protected, tape & reel
▼ IFX7805ABTF	SP000929570	IFX7805ABTFATMA1	PG-TO252-3	
▼ IFX7805ABTS	SP000929572	IFX7805ABTSAKSA1	PG-TO220-3	
▼ IFX78M05ABTF	SP000929586	IFX78M05ABTFATMA1	PG-TO252-3	5V, $I_{out} = 500mA$, short circuit protected, overtemperature protected, tape & reel
IFX81171ME V50	SP000357832	IFX8117MEV50HTMA1	PG-SOT223-4	5V, $I_{out} = 1A$, short circuit protected, overtemperature protected, tape & reel

Adjustable Linear Voltage Regulators for Industrial and Consumer Applications

IFX1117MEV	SP000892488	IFX1117MEVHTMA1	PG-SOT223-4	adj. voltage, $I_{out} = 1A$, short circuit protected, 2% accuracy, overtemperature protected, tape & reel
▼ IFX1963TBV	SP001045786	IFX1963TBVATMA1	PG-TO263-5	adj. voltage, $I_{out} = 1.5A$, short circuit protected, Enable, overtemperature protected, tape & reel
▼ IFX1963TEV	SP001045788	IFX1963TEVATMA1	PG-TO252-5	
IFX81171MEV	SP000357833	IFX8117MEVHTMA1	PG-SOT223-4	adj. voltage, $I_{out} = 1A$, short circuit protected, 1% accuracy overtemperature protected, tape & reel

5V and 15V Linear Voltage Regulators for Industrial and Consumer Applications

IFX21004TN V51	SP000841766	IFX21004TNV51AKSA1	PG-TO220-5	5V and 15V dual output, $I_{out} = 100mA$ and 30mA, short circuit protected, overtemperature protected, tube
----------------	-------------	--------------------	------------	--

1.5 - 3.3V Linear Voltage Regulators for Industrial and Consumer Applications

IFX1117ME V33	SP000892486	IFX1117MEV33HTMA1	PG-SOT223-4	3.3V, $I_{out} = 1A$, short circuit protected, 2% accuracy, overtemperature protected, tape & reel
IFX20001MB V33	SP000623344	IFX20001MBV33HTSA1	PG-SCT595-5	3.3V, $I_{out} = 30mA$, Inhibit, overtemperature protected, tape & reel
▼ IFX20002MB V33	SP001041636	IFX20002MBV33HTSA1	PG-SCT595-5	3.3V, $I_{out} = 30mA$, Enable, overtemperature protected, tape & reel
IFX25001ME V33	SP000623166	IFX25001MEV33HTSA1	PG-SOT223-4	3.3V, $I_{out} = 400mA$, short circuit protected, overtemperature protected, tape & reel
IFX25001ME V25	SP000623288	IFX25001MEV25HTSA1	PG-SOT223-4	2.5V, $I_{out} = 400mA$, short circuit protected, overtemperature protected, tape & reel
IFX25001TF V33	SP000623156	IFX25001TFV33ATMA1	PG-TO252-3	3.3V, $I_{out} = 400mA$, short circuit protected, overtemperature protected, tape & reel
IFX27001TF V15	SP000624122	IFX27001TFV15ATMA1	PG-TO252-3	1.5V, $I_{out} = 1A$, short circuit protected, overtemperature protected, tape & reel
IFX27001TF V18	SP000624104	IFX27001TFV18ATMA1	PG-TO252-3	1.8V, $I_{out} = 1A$, short circuit protected, overtemperature protected, tape & reel
IFX27001TF V26	SP000624182	IFX27001TFV26ATMA1	PG-TO252-3	2.6V, $I_{out} = 1A$, short circuit protected, overtemperature protected, tape & reel
IFX27001TF V33	SP000624112	IFX27001TFV33ATMA1	PG-TO252-3	3.3V, $I_{out} = 1A$, short circuit protected, 3% accuracy, overtemperature protected, tape & reel
IFX2931G V33	SP000539026	IFX2931GV33XUMA1	PG-DSO-8	3.3V, $I_{out} = 100mA$, overtemperature protected, tape & reel
IFX81171ME V33	SP000357831	IFX8117MEV33HTMA1	PG-SOT223-4	3.3V, $I_{out} = 1A$, short circuit protected, 1% accuracy, overtemperature protected, tape & reel

SMD = Surface Mounted Device

Type	Ordering Code	Orderable Part Number	Package	Description
------	---------------	-----------------------	---------	-------------

Power Management ICs**1.5 - 3.3V Ultra Low Quiescent Current Linear Voltage Regulators for Industrial and Consumer Applications**

▼ IFX1763XEJ V33	SP000938790	IFX1763XEJV33XUMA1	PG-DSO-8 EP	3.3V, $I_{out} = 500\text{mA}$, short circuit protected, Enable, overtemperature protected, tape & reel
▼ IFX54441EJ V33	SP000953844	IFX54441EJV33XUMA1	PG-DSO-8 EP	3.3V, $I_{out} = 300\text{mA}$, short circuit protected, Enable, overtemperature protected, tape & reel

5V Ultra Low Quiescent Current Linear Voltage Regulators for Industrial and Consumer Applications

▼ IFX1763XEJ V50	SP000938802	IFX1763XEJV50XUMA1	PG-DSO-8 EP	5V, $I_{out} = 500\text{mA}$, short circuit protected, Enable, overtemperature protected, tape & reel
IFX25401TB V50	SP000623298	IFX25401TBV50ATMA1	PG-TO263-5	5V, $I_{out} = 400\text{mA}$, short circuit protected, overtemperature protected, tape & reel
IFX25401TE V50	SP000623308	IFX25401TEV50ATMA1	PG-TO252-3	5V, $I_{out} = 400\text{mA}$, short circuit protected, overtemperature protected, tape & reel
IFX4949SJ	SP000663314	IFX4949SJXUMA1	PG-DSO-8	5V, $I_{out} = 100\text{mA}$, short circuit protected, overtemperature protected, 2% accuracy, tape & reel
▼ IFX54441EJ V50	SP000953834	IFX54441EJV50XUMA1	PG-DSO-8 EP	5V, $I_{out} = 300\text{mA}$, short circuit protected, Enable, overtemperature protected, tape & reel

Adjustable Ultra Low Quiescent Current Linear Voltage Regulators for Industrial and Consumer Applications

▼ IFX1763XEJV	SP000938788	IFX1763XEJVXUMA1	PG-DSO-8 EP	adj. voltage, $I_{out} = 500\text{mA}$, short circuit protected, Enable, overtemperature protected, tape & reel
IFX25401TBV	SP000611478	IFX25401TBVATMA1	PG-TO263-5	adj. voltage, $I_{out} = 400\text{mA}$, short circuit protected, overtemperature protected, tape & reel
IFX25401TEV	SP000614698	IFX25401TEVATMA1	PG-TO252-3	adj. voltage, $I_{out} = 400\text{mA}$, short circuit protected, overtemperature protected, tape & reel
IFX27001TFV	SP000624090	IFX27001TFVATMA1	PG-TO252-3	adj. voltage, $I_{out} = 1\text{A}$, short circuit protected, overtemperature protected, tape & reel
▼ IFX54441EJV	SP000953854	IFX54441EJVXUMA1	PG-DSO-8 EP	adj. voltage, $I_{out} = 300\text{mA}$, short circuit protected, Enable, overtemperature protected, tape & reel

Industrial Constant Current Relay Driver

IFX52001EJ	SP000911866	IFX52001EJXUMA1	PG-DSO-8 EP	Coil/relay driver, reduces relay hold current to min. 40mA, overtemperature protected, tape & reel
------------	-------------	-----------------	-------------	--

Voltage Tracker for Industrial and Consumer Applications

IFX21401MB	SP000614692	IFX21401MBHTSA1	PG-SCT595-5	adj. voltage, $I_{out} = 50\text{mA}$, overtemperature protected, tape & reel
------------	-------------	-----------------	-------------	--

SMD = Surface Mounted Device

Power Semiconductors

Type	Ordering Code	Orderable Part Number	Package	Data			
				V_{DS} V	$R_{DS(on)}$ Ω	$P_{input(max)}$ ($T_A = 50^\circ\text{C}$) W	f_s kHz

Power Management ICs

Integrated Power ICs 650V/65kHz

ICE3BR0665J	SP000849306	ICE3BR0665JXKLA1	DIP-8	650	0.65	49	65
▼ ICE3RBR0665JZ	SP001087246	ICE3RBR0665JZXKLA1	DIP-7	650	0.65	47	65
ICE3BR1065J	SP000943910	ICE3BR1065JXKLA1	DIP-8	650	0.92	23	65
ICE3BR1765J	SP000849302	ICE3BR1765JXKLA1	DIP-8	650	1.7	31	65
ICE3BR1765JZ	SP000706894	ICE3BR1765JZXKLA1	DIP-7	650	1.7	30	65
▼ ICE3RBR1765JZ	SP001087238	ICE3RBR1765JZXKLA1	DIP-7	650	1.7	30	65
ICE3BR4765J	SP000849300	ICE3BR4765JXKLA1	DIP-8	650	4.7	18	65
ICE3BR4765JG	SP000716242	ICE3BR4765JGXUMA1	SO-16/12	650	4.7	17	65
■ ICE3BR4765JZ	SP000736810	ICE3BR4765JZXKLA1	DIP-7	650	4.7	18	65
▼ ICE3BR4765JZ	SP001087230	ICE3BR4765JZXKLA1	DIP-7	650	4.7	18	65

650V/67kHz

ICE3BR0665JF	SP000839844	ICE3BR0665JFXKSA1	TO-220	650	0.59	173	67
ICE3BR1065JF	SP000842986	ICE3BR1065JFXKSA2	TO-220	650	1.0	120	67
ICE3BR1465JF	SP000758768	ICE3BR1465JFXKSA1	TO-220	650	1.44	104	67
ICE3B1565J	SP000098876	ICE3B1565JFKLA1	DIP-8	650	1.7	31	67
ICE3BR2565JF	SP000839846	ICE3BR2565JFXKSA2	TO-220	650	2.5	81	67
ICE3B0565JG	SP000077217	ICE3B0565JGXUMA1	SO-16/12	650	4.7	17	67
▼ ICE3B0565J	SP000937334	ICE3B0565JXKLA1	DIP-8	650	4.7	18	67
ICE3B0365J	SP000064720	ICE3B0365JFKLA1	DIP-8	650	6.45	16	67
ICE3B0365JG	SP000078899	ICE3B0365JGXUMA1	SO-16/12	650	6.45	14	67
▼ ICE3B0365J-T	SP001049214	ICE3B0365JTXKLA1	DIP-8	650	6.45	16	67

650V/100kHz

■ ICE3A2565	SP000015075	ICE3A2565FKLA1	DIP-8	650	0.65	49	100
■ ICE2A265	SP000013503	ICE2A265FKLA1	DIP-8	650	0.92	41	100
■ ICE3A2065	SP000015082	ICE3A2065FKLA1	DIP-8	650	0.92	41	100
ICE3A2065ELJ	SP000477348	ICE3A2065ELJFKLA1	DIP-8	650	0.92	41	100
■ ICE3A1565	SP000015083	ICE3A1565FKLA1	DIP-8	650	1.7	31	100
ICE3A1065ELJ	SP000430884	ICE3A1065ELJFKLA1	DIP-8	650	2.9	23	100
■ ICE2A165	SP000013769	ICE2A165FKLA1	DIP-8	650	3.0	23	100
▼ ICE3A0565Z	SP000964060	ICE3A0565ZXKLA1	DIP-7	650	4.7	18	100

SMD = Surface Mounted Device

Type	Ordering Code	Orderable Part Number	Package	Data			
				V_{DS} V	$R_{DS(on)}$ Ω	P_{input} ($T_A = 50^\circ\text{C}$) W	f_s kHz

Power Management ICs

Integrated Power ICs
800V/65kHz

ICE3BR0680JZ	SP000775720	ICE3BR0680JZXKLA1	DIP-7	800	0.62	52	65
ICE3BR2280JZ	SP000775698	ICE3BR2280JZXKLA1	DIP-7	800	2.26	28	65
▼ ICE3BR2280JZ-T	SP001049206	ICE3BR2280JZTXKLA1	DIP-7	800	2.26	28	65

800V/100kHz

ICE3AR0680JZ	SP000848680	ICE3AR0680JZXKLA1	DIP-7	800	0.62	52	100
▼ ICE3AR0680VJZ	SP001135738	ICE3AR0680VJZXKLA1	DIP-7	800	0.62	52	100
▼ ICE2A280Z	SP000956838	ICE2A280ZXKLA1	DIP-7	800	0.8	45	100
ICE3AR2280CJZ	SP000954580	ICE3AR2280CJZXKLA1	DIP-7	800	2.26	28	100
ICE3AR2280JZ	SP000730002	ICE3AR2280JZXKLA1	DIP-7	800	2.26	28	100
▼ ICE3AR2280JZ-T	SP001049174	ICE3AR2280JZTXKLA1	DIP-7	800	2.26	28	100
▼ ICE3AR2280VJZ	SP001135778	ICE3AR2280VJZXKLA1	DIP-7	800	2.26	28	100
▼ ICE2A180Z	SP001056400	ICE2A180ZXKLA1	DIP-7	800	3.0	30	100
ICE3AR4780JZ	SP000839212	ICE3AR4780JZXKLA1	DIP-7	800	4.7	20	100
ICE3AR4780CJZ	SP000980568	ICE3AR4780CJZXKLA1	DIP-7	800	4.7	20	100
▼ ICE3AR4780VJZ	SP001135794	ICE3AR4780VJZXKLA1	DIP-7	800	4.7	20	100
ICE3AR10080JZ	SP000775770	ICE3AR10080JZXKLA1	DIP-7	800	10.0	15	100
▼ ICE3AR10080JZ-T	SP001049182	ICE3AR10080JZTXKLA1	DIP-7	800	10.0	15	100
ICE3AR10080CJZ	SP000954980	ICE3AR10080CJZXKLA1	DIP-7	800	10.0	15	100

Quasi

ICE2QR0680Z	SP000774406	ICE2QR0680ZXKLA1	DIP-7	800	0.62	57	NA
▼ ICE2QR0665	SP000937328	ICE2QR0665XKLA1	DIP-8	650	0.65	50	NA
ICE2QR0665G	SP000907678	ICE2QR0665GXUMA1	SO-16/12	650	0.65	45	NA
ICE2QR0665Z	SP000895806	ICE2QR0665ZXKLA1	DIP-7	650	0.65	45	NA
ICE2QR1065Z	SP000905490	ICE2QR1065ZXKLA1	DIP-7	650	0.92	41	NA
ICE2QR1765	SP000717522	ICE2QR1765XKLA1	DIP-8	650	1.7	33	NA
ICE2QR1765G	SP000905550	ICE2QR1765GXUMA1	SO-16/12	650	1.7	28	NA
ICE2QR1765Z	SP000905534	ICE2QR1765ZXKLA1	DIP-7	650	1.7	31	NA
ICE2QR2280G	SP000775242	ICE2QR2280GXUMA1	SO-12	800	2.26	30	NA
▼ ICE2QR2280G-1	SP001087212	ICE2QR2280G1XUMA1	SO-12	800	2.26	30	NA
ICE2QR2280Z	SP000774322	ICE2QR2280ZXKLA1	DIP-7	800	2.26	31	NA
▼ ICE2QR2280Z-1	SP001087204	ICE2QR2280Z1XKLA1	DIP-7	800	2.26	31	NA
ICE2QR4765	SP000644950	ICE2QR4765XKLA1	DIP-8	650	4.7	19	NA
ICE2QR4765G	SP000907668	ICE2QR4765GXUMA1	SO-16/12	650	4.7	17	NA
▼ ICE2QR4765-T	SP001049166	ICE2QR4765TXKLA1	DIP-8	650	4.7	19	NA
ICE2QR4765Z	SP000905544	ICE2QR4765ZXKLA1	DIP-7	650	4.7	18	NA
ICE2QR4780Z	SP000782770	ICE2QR4780ZXKLA1	DIP-7	800	4.7	22	NA

SMD = Surface Mounted Device

Power Semiconductors

Type	Ordering Code	Orderable Part Number	Package	Data		
				Switching Frequency Range kHz	I_{Gate} A	$V_{CC(max)}$ V

Power Management ICs

Power Control ICs SMPS IC - Quasi

▼ TDA4605-3	SP001131252	TDA46053XKLA1	DIP-8	<200	-	15.5
ICE2QS03	SP000717562	ICE2QS03XKLA1	DIP-8	<150	-	27
ICE2QS02G	SP000718534	ICE2QS02GXUMA1	SO-8	<150	-	27
ICE2QS03G	SP000775042	ICE2QS03GXUMA1	SO-8	<150	-	27

SMPS IC - PFC & CCM (continuous conduction mode) ICs

▼ ICE2PCS01	SP000737922	ICE2PCS01XKLA1	DIP-8	50 - 250	-1.5/2	25
ICE2PCS02	SP000741324	ICE2PCS02XKLA1	DIP-8	65	-1.5/2	25
▼ ICE2PCS03	SP000752402	ICE2PCS03XKLA1	DIP-8	100	-1.5/2	25
▼ ICE2PCS04	SP000752406	ICE2PCS04XKLA1	DIP-8	133	-1.5/2	25
ICE2PCS06	SP000745682	ICE2PCS06XKLA1	DIP-8	65	-1.5/2	25
ICE2PCS01G	SP000717682	ICE2PCS01GXUMA1	SO-8	50 - 250	-1.5/2	25
ICE2PCS02G	SP000718524	ICE2PCS02GXUMA1	SO-8	65	-1.5/2	25
ICE2PCS03G	SP000718526	ICE2PCS03GXUMA1	SO-8	100	-1.5/2	25
ICE2PCS04G	SP000718528	ICE2PCS04GXUMA1	SO-8	133	-1.5/2	25
ICE2PCS05G	SP000718530	ICE2PCS05GXUMA1	SO-8	136	-1.5/2	25
ICE2PCS06G	SP000718532	ICE2PCS06GXUMA1	SO-8	65	-1.5/2	25
ICE3PCS01G	SP000639560	ICE3PCS01GXUMA1	SO-14	65	-1.5/2	25
ICE3PCS02G	SP000639564	ICE3PCS02GXUMA1	SO-8	65	-1.5/2	25
ICE3PCS03G	SP000639568	ICE3PCS03GXUMA1	SO-8	65	-1.5/2	26

SMPS IC - PFC & DCM (discontinuous conduction mode) ICs

▼ TDA4862	SP001013276	TDA4862XKLA1	DIP-8	variable	0.5	19
▼ TDA4863	SP001013278	TDA4863XKLA1	DIP-8	variable	0.5	20
▼ TDA4863-2	SP001013280	TDA48632XKLA1	DIP-8	variable	0.5	20
TDA4862G GEG	SP000697958	TDA4862GGEGXUMA2	SO-8	variable	0.5	19
TDA4863G	SP000697962	TDA4863GXUMA2	SO-8	variable	0.5	19
TDA4863-2G	SP000697960	TDA48632GXUMA2	SO-8	variable	0.5	20

SMPS IC - PWM-FF + PFC (CCM) Combi ICs

ICE1CS02	SP000444084	ICE1CS02FKLA1	DIP-16	65	-1.5/2	26
ICE1CS02G	SP000783614	ICE1CS02GXUMA2	SO-16	65	-1.5/2	25

SMPS IC - PWM-FF (latched and frequency jitter mode) ICs

ICE3AS03LJG	SP000783724	ICE3AS03LJGXUMA1	SO-8	100	-0.17/0.39	27
ICE3BS03LJG	SP000783726	ICE3BS03LJGXUMA1	SO-8	65	-0.17/0.39	27
ICE3GS03LJG	SP000812044	ICE3GS03LJGXUMA1	SO-8	130	-0.17/0.39	27

SMD = Surface Mounted Device

Type	Ordering Code	Orderable Part Number	Package	Description
------	---------------	-----------------------	---------	-------------

Power Management ICs**Resonant Mode Controller**

▼ ICE1HS01G-1	SP001077176	ICE1HS01G1XUMA1	SO-8	Half-bridge LLC resonant controller with two gate outputs, 600-kHz switching frequency, minimum number of external components, high accuracy oscillator, tape & reel
ICE2HS01G	SP000793084	ICE2HS01GXUMA1	SO-20	High performance mode controller for half-bridge LLC resonant controller with four gate outputs and synchronous rectification drives, 30-kHz - 1-MHz switching frequency, tape & reel

Fan Speed Controller IC

TDA21801	SP000697956	TDA21801XUMA1	SO-8	Fan speed controller for SMPS, adjustable fan speed, fan On/OFF, over-temperature protection (OTP), tape & reel
----------	-------------	---------------	------	---

Integrated Power Stages and DrMOS

TDA21220	SP000746644	TDA21220AUMA1	PG-IQFN-40	High-performance DrMOS, power MOSFET and driver in one package, max. peak current of 50A, input voltage range + 4.5V to +16V, tape & reel
▼ TDA21310	SP000931598	TDA21310XUSA1	LG-UIQFN-32	High-performance DrMOS, power MOSFET and driver in one package, max. peak current of 40A, tape & reel

MOSFET Driver IC

■ PX3515BDDG-R4	SP000669876	PX3515BDDGR4XTMA1	PG-TDSON-10	Drives two/four n-channel MOSFETs (single/dual driver), high taje 12V or 5V, tape & reel
■ PX3516ADDG-R4	SP000704414	PX3516ADDGR4XTMA1	PG-TDSON-10	Dual MOSFET driver for synchronous rectified bridge converters, adjust. high-side and low-side MOSFET gate drive voltages for optimal efficiency, 50A, tape & reel
▼ PX3517	SP000923218	PX3517FTMA1	PG-TDSON-10	High speed driver for Dual MOSFETs, adjust. high-side and low-side MOSFET gate drive voltages for optimal efficiency, capability to drive MOSFETs at 50A continuous current per phase, tape & reel
▼ PX3519	SP000985712	PX3519XTMA1	PG-VDSON-8	High speed driver for Dual MOSFETs, adjust. high-side and low-side MOSFET gate drive voltages for optimal efficiency, capability to drive MOSFETs at 50A per phase, tape & reel

Power Audio ICs

SAB2402EN1	SP000963776	SAB2402EN1XUMA2	PG-VQFN-68	High performance energy efficient digital and analog input high dynamic range open loop Class-D speaker amplifiers, input sampling frequency 48-kHz I2S/ 48-kHz SPDIF, tape & reel
SAB2403EN1	SP000962100	SAB2403EN1XUMA1	PG-VQFN-68	High performance energy efficient digital and analog input high dynamic range open loop Class-D speaker amplifiers, input sampling frequency 192-kHz I2S/ 96-kHz SPDIF, tape & reel

SMD = Surface Mounted Device

Power Semiconductors

Type	Ordering Code	Orderable Part Number	Package	Description
------	---------------	-----------------------	---------	-------------

Power Management ICs

Function and Industrial ICs

Proximity Switches

■ TCA355G	SP000697950	TCA355GXLLA1	PG-DSO-8-1	ICs for inductive proximity switches, tube
■ TCA355G GEG	SP000744922	TCA355GGEGXUMA1	PG-DSO-8-1	ICs for inductive proximity switches, tape & reel
TCA505BG GEG	SP000242373	TCA505BGGEGXUMA1	P-DSO-16-1	ICs for inductive proximity switches with short-circuit protection, tape & reel

Power Driver ICs

FZL4146G	SP000087989	FZL4146GGEGHUMA1	PG-DSO-20-7	Short-circuit signaling, four driver circuits for driving power transistors, turn-ON threshold setting from 1.5 to 7V
----------	-------------	------------------	-------------	---

Phase Control

TCA785	SP000011719	TCA785HKLA1	P-DIP-16-1	Phase control, tube
--------	-------------	-------------	------------	---------------------

Audible Signal ICs

SAE0800G	SP000697948	SAE800GXLLA1	PG-DSO-8-1	Programmable single-, dual- and triple-tone gong, tube
----------	-------------	--------------	------------	--

SMD = Surface Mounted Device

Type	Ordering Code	Orderable Part Number	Package	Description
Industrial Stand-alone CAN- and LIN Transceivers				
IFX1021SJ	SP000870896	IFX1021SJXUMA1	PG-DSO-8	Single wire LIN-transceiver, 20-kbit/s transmission rate, bus wake-up capability, wake-up inputs, tape & reel
IFX1040SJ	SP000938316	IFX1040SJXUMA1	PG-DSO-8	High speed CAN-transceiver according ISO 11898-3/-5, 1-Mbit/s transmission rate, bus wake-up capability, wake-up inputs, tape & reel
IFX1050G	SP000613990	IFX1050GXUMA1	PG-DSO-8-16	High speed CAN-transceiver, 1-Mbit/s transmission rate, no bus wake-up capability, no wake-up inputs, tape & reel
IFX1050GVIO	SP000885580	IFX1050GVIOXUMA1	PG-DSO-8	High speed CAN-transceiver according ISO/DIS 11898, 1-Mbit/s transmission rate, no bus wake-up capability, no wake-up inputs, V_{IO} input for voltage adaptation, tape & reel
IFX1054G	SP000613756	IFX1054GXUMA1	PG-DSO-14-13	Low speed fault tolerant CAN-transceiver, 125-Kbit/s transmission rate, bus wake-up capability, wake-up inputs, tape & reel

Automotive Transceivers and SBCs**Body System Basis Chips**

TLE6263-3G	SP000314997	TLE62633GXUMA1	PG-DSO-28-27	Low speed CAN universal SBC with fault tolerant CAN-transceiver, 5-V voltage regulator, wake-up inputs, Reset generator, 8-bit SPI, tape & reel
TLE7263E	SP000075929	TLE7263EXUMA1	PG-DSO-36-14	Integrated high speed CAN, LIN, LDO and HS switch, tape & reel
TLE8261E	SP000317792	TLE8261EXUMA1	PG-DSO-36-38	Universal system basis IC (HERMES), integrated high speed CAN, no LIN, LDO and SPI, 1 limp home output, tape & reel
▼ TLE8261E	SP001056112	TLE8261EXUMA2	PG-DSO-36-38	Universal system basis IC (HERMES), integrated high speed CAN, no LIN, LDO and SPI, 1 limp home output, tape & reel
TLE8261-2E	SP000454466	TLE82612EXUMA1	PG-DSO-36-38	Universal system basis IC (HERMES), integrated high speed CAN, no LIN, LDO and SPI, 3 limp home output, tape & reel
▼ TLE8261-2E	SP001056114	TLE82612EXUMA2	PG-DSO-36-38	Universal system basis IC (HERMES), integrated high speed CAN, no LIN, LDO and SPI, 3 limp home output, tape & reel
TLE8262E	SP000317793	TLE8262EXUMA1	PG-DSO-36-38	Universal system basis IC (HERMES), integrated high speed CAN, 1LIN, LDO and SPI, 1 limp home output, tape & reel
▼ TLE8262E	SP001056118	TLE8262EXUMA2	PG-DSO-36-38	Universal system basis IC (HERMES), integrated high speed CAN, 1LIN, LDO and SPI, 1 limp home output, tape & reel
TLE8262-2E	SP000454468	TLE82622EXUMA1	PG-DSO-36-38	Universal system basis IC (HERMES), integrated high speed CAN, 1LIN, LDO and SPI, 3 limp home output, tape & reel
▼ TLE8262-2E	SP001056116	TLE82622EXUMA2	PG-DSO-36-38	Universal system basis IC (HERMES), integrated high speed CAN, 1LIN, LDO and SPI, 3 limp home output, tape & reel
TLE8263E	SP000317795	TLE8263EXUMA1	PG-DSO-36-38	Universal system basis IC (HERMES), integrated high speed CAN, 2LIN, LDO and SPI, 1 limp home output, tape & reel
▼ TLE8263E	SP001056124	TLE8263EXUMA2	PG-DSO-36-38	Universal system basis IC (HERMES), integrated high speed CAN, 2LIN, LDO and SPI, 1 limp home output, tape & reel

SMD = Surface Mounted Device

Power Semiconductors

Type	Ordering Code	Orderable Part Number	Package	Description	
Automotive Transceivers and SBCs					
Body System Basis Chips (cont'd)					
	TLE8263-2E	SP000379937	TLE82632EXUMA1	PG-DSO-36-38	Universal system basis IC (HERMES), integrated high speed CAN, 2LIN, LDO and SPI, 3 limp home output, tape & reel
▼	TLE8263-2E	SP001056126	TLE82632EXUMA2	PG-DSO-36-38	Universal system basis IC (HERMES), integrated high speed CAN, 2LIN, LDO and SPI, 3 limp home output, tape & reel
	TLE8264E	SP000317796	TLE8264EXUMA1	PG-DSO-36-38	Universal system basis IC (HERMES), integrated high speed CAN, 3LIN, LDO and SPI, 1 limp home output, tape & reel
▼	TLE8264E	SP001056120	TLE8264EXUMA2	PG-DSO-36-38	Universal system basis IC (HERMES), integrated high speed CAN, 3LIN, LDO and SPI, 1 limp home output, tape & reel
	TLE8264-2E	SP000379938	TLE82642EXUMA1	PG-DSO-36-38	Universal system basis IC (HERMES), integrated high speed CAN, 3LIN, LDO and SPI, 3 limp home output, tape & reel
▼	TLE8264-2E	SP001056122	TLE82642EXUMA2	PG-DSO-36-38	Universal system basis IC (HERMES), integrated high speed CAN, 3LIN, LDO and SPI, 3 limp home output, tape & reel
▼	TLE9266QX	SP000850940	TLE9266QXXUMA1	PG-VQFN-48-31	Body system IC with integrated voltage regulator, power management functions, HS-CAN and LIN transceiver, featuring multiple high-side and low-side switches including wake inputs, tape & reel
▼	TLE9266-2QX	SP000926208	TLE92662QXXUMA1	PG-VQFN-48-31	Body system IC with integrated voltage regulator, power management functions, HS-CAN and LIN transceiver, featuring multiple high-side and low-side switches including wake inputs, tape & reel

Stand-alone Transceivers

	TLE6250G	SP000316311	TLE6250GXUMA1	PG-DSO-8-16	High speed CAN-transceiver according to ISO 11898, tape & reel
	TLE6250G V33	SP000382100	TLE6250GV33XUMA1	PG-DSO-8-16	High speed CAN-transceiver according to ISO 11898, for 3.3V microcontroller
	TLE6251D	SP000836844	TLE6251DXUMA1	PG-DSO-8-16	High speed CAN-transceiver according to ISO 11898, with bus wake-up and bus failure detection, tape & reel
	TLE6251DS	SP000294173	TLE6251DSXUMA1	PG-DSO-8-3	High speed CAN-transceiver with bus wake-up, compatible to 3.3V and 5V logic input levels, tape & reel
■	TLE6251G	SP000082094	TLE6251GNTMA1	P-DSO-14-13	High speed CAN-transceiver with bus wake-up and bus failure detection, tape & reel
	TLE6251-2G	SP000407102	TLE62512GXUMA1	PG-DSO-14-24	High speed CAN-transceiver 1-Mbit/s transmission rate, with bus wake-up and bus failure detection, for mixed supply CAN networks, tape & reel
	TLE6251-3G	SP000823130	TLE62513GXUMA1	PG-DSO-14	High speed CAN-transceiver, 1-Mbit/s transmission rate, with bus wake-up and bus failure detection, for mixed supply CAN networks, no split pin, tape & reel
	TLE8250G	SP000551642	TLE8250GXUMA1	PG-DSO-8-16	High speed CAN-transceiver according ISO 11898-3, fully compatible to TLE6250G, receive-only mode input, not Enable input, for large CAN networks with high data rates, tape & reel
	TLE8250GVIO	SP000691818	TLE8250GVIOXUMA1	PG-DSO-8-16	High speed CAN-transceiver according ISO 11898-3, fully compatible to TLE6250G, not Enable input, for large CAN networks with high data rates, V_{IO} input for voltage adaptation, tape & reel

SMD = Surface Mounted Device

Type	Ordering Code	Orderable Part Number	Package	Description
------	---------------	-----------------------	---------	-------------

Automotive Transceivers and SBCs**Stand-alone Transceivers**

(cont'd)

TLE6254-3G	SP000316313	TLE62543GXUMA1	PG-DSO-14-13	Low speed fault tolerant CAN-transceiver according ISO 11898-3, tape & reel
TLE6254-3G	SP000692476	TLE62543GXUMA2	PG-DSO-14-13	Low speed fault tolerant CAN-transceiver according ISO 11898-3, tape & reel
TLE6258-2G	SP000297762	TLE62582GXUMA1	PG-DSO-8-3	Single wire LIN-transceiver, low speed, tape & reel
TLE6259-2G	SP000316315	TLE62592GXUMA1	PG-DSO-8-16	Single wire LIN-transceiver, suitable for LIN protocol, tape & reel
TLE7250G	SP000735846	TLE7250GXUMA1	PG-DSO-8-16	Twin LIN-transceiver, compatible to 3.3V and 5V logic input levels, specific SAEJ2602 compliant version, no bus wake-up capability, tape & reel
TLE7250GVIO	SP000735852	TLE7250GVIOXUMA1	PG-DSO-8-16	Twin LIN-transceiver, compatible to 3.3V and 5V logic input levels, specific SAEJ2602 compliant version, 1-Mbit/s transmission rate, V_{IO} input for voltage adaptation, no bus wake-up capability, tape & reel
▼ TLE7257SJ	SP000966212	TLE7257SJXUMA1	PG-DSO-8	Single wire LIN-transceiver, 20-kbit/s transmission rate, compliant to ISO 17987-4, LIN 2.2A and SAE J2602, integrated wake-up and protection features, tape & reel
▼ TLE7258SJ	SP000911018	TLE7258SJXUMA1	PG-DSO-8	Single wire LIN-transceiver, 20-kbit/s transmission rate, compliant to ISO 17987-4, LIN 2.2A and SAE J2602, integrated wake-up and protection features, tape & reel
TLE7259-2GE	SP000299877	TLE72592GEXUMA1	PG-DSO-8-3	Enhanced LIN-transceiver with sleep mode/inhibit output, compatible to 3.3V and 5V logic input levels, specific LIN1.3, 2.0 and 2.1 compliant version, tape & reel
▼ TLE7259-3GE	SP001102542	TLE72593GEXUMA1	PG-DSO-8-3	Enhanced LIN-transceiver with sleep mode/inhibit output, compatible to 3.3V and 5V logic input levels, specific LIN1.3, 2.0, 2.1 and 2.2 compliant version, tape & reel
■ TLE7259-2GU	SP000304077	TLE72592GUXUMA1	PG-DSO-8-3	Enhanced LIN-transceiver with sleep mode/inhibit output, compatible to 3.3V and 5V logic input levels, specific SAEJ2602 compliant version, tape & reel
TLE7269G	SP000104277	TLE7269GXUMA1	PG-DSO-14-24	Twin LIN-transceiver, compatible to 3.3V and 5V logic input levels, specific SAEJ2602 compliant version, tape & reel
TLE8458G	SP000359994	TLE8458GXUMA1	PG-DSO-8-16	LIN-transceiver with integrated low drop voltage regulator (LIN-LDO), 5V, 20 Kbit/s (LIN2.1 compliant), tape & reel
TLE8458G V33	SP000359996	TLE8458GV33XUMA1	PG-DSO-8-16	LIN-transceiver with integrated low drop voltage regulator (LIN-LDO), 3.3V, 20 Kbit/s (LIN2.1 compliant), tape & reel
TLE8458GU	SP000359997	TLE8458GUXUMA1	PG-DSO-8-16	LIN-transceiver with integrated low drop voltage regulator (LIN-LDO), 5V, 10.4 Kbit/s (SAEJ2602 compliant), tape & reel
TLE8458GU V33	SP000359999	TLE8458GUV33XUMA1	PG-DSO-8-16	LIN-transceiver with integrated low drop voltage regulator (LIN-LDO), 3.3V, 10.4Kbit/s (SAEJ2602 compliant), tape & reel

FlexRay™ Transceivers

▼ TLE9221SX	SP000908722	TLE9221SXXUMA1	PG-SSOP-16-2	Compliant with the FlexRay Electrical Physical Layer Specification 3.0.1, 1-Mbit/s up to 10-Mbit/s transmission rate, integrated wake-up and protection features tape & reel
-------------	-------------	----------------	--------------	--

SMD = Surface Mounted Device

Power Semiconductors

Type	Ordering Code	Orderable Part Number	Package	Description
Automotive Transceivers and SBCs				
Embedded Power				
■ TLE7810G	SP000313890	TLE7810GXUMA1	PG-DSO-28-6	Integrated double low-side switch for automotive applications, high-side/LED driver, hall supply, wake-up inputs and LIN communication with embedded MCU (16-Kbyte flash), tape & reel
■ TLE7824G	SP000264461	TLE7824GXUMA1	PG-DSO-28-38	Integrated double low-side switch, high-side/LED driver, hall supply, wake-up inputs and LIN communication with embedded MCU (24-Kbyte flash), tape & reel
■ TLE7826G	SP000264462	TLE7826GXUMA1	PG-DSO-28-38	Integrated double low-side switch, high-side/LED driver, hall supply, wake-up inputs and LIN communication with embedded MCU (32-Kbyte flash), tape & reel
TLE9832-2QX	SP000878784	TLE98322QXXUMA1	PG-VQFN-48-29	Integrated double low-side switch, double high-side switch, high-side/LED driver, hall supply, wake-up inputs and LIN communication with embedded MCU (36-Kbyte flash), tape & reel
TLE9832QV	SP001006712	TLE9832QVXUMA2	PG-VQFN-48-22	Integrated double low-side switch, one high-side switch, high-side/LED driver, hall supply, wake-up inputs and LIN communication with embedded MCU (36-Kbyte flash), tape & reel
TLE9832QX	SP001006708	TLE9832QXXUMA2	PG-VQFN-48-29	Integrated double low-side switch, one high-side switch, high-side/LED driver, hall supply, wake-up inputs and LIN communication with embedded MCU (36-Kbyte flash), tape & reel
TLE9833QX	SP000974880	TLE9833QXXUMA1	PG-VQFN-48-29	Integrated double low-side switch, double high-side switch, high-side/LED driver, hall supply, wake-up inputs and LIN communication with embedded MCU (48-Kbyte flash), tape & reel
TLE9834QX	SP000977512	TLE9834QXXUMA1	PG-VQFN-48-29	Integrated double low-side switch, double high-side switch, high-side/LED driver, hall supply, wake-up inputs and LIN communication with embedded MCU (64-Kbyte flash), tape & reel
TLE9835QX	SP000977514	TLE9835QXXUMA1	PG-VQFN-48-29	Integrated double low-side switch, double high-side switch, high-side/LED driver, hall supply, wake-up inputs and LIN communication with embedded MCU (64-Kbyte flash), with operation amplifier, tape & reel

SMD = Surface Mounted Device

Type	Ordering Code	Orderable Part Number	Package	Description
------	---------------	-----------------------	---------	-------------

Specific Automotive ICs**Application Specific Standard Products for Restraint Systems**

TLE6710Q	SP000013708	TLE6710QNUMA1	P-MQFP-64-1	Power supply communication four squib driver airbag system ICs, tape & reel
TLE6712G	SP000013710	TLE6712GNTMA1	P-DSO-24-10	Two squib airbag firing ICs, tape & reel
TLE6714G	SP000013709	TLE6714GNTMA1	P-DSO-28-1	Quad squib airbag firing ICs, tape & reel
TLE7729T	SP000312977	TLE7729TXUMA1	PG-TSSOP-28	Quad channel airbag satellite receiver ICs (SatRIC™), tape & reel

Application Specific Standard Products for Vehicle Stability - Braking (ABS/ESP)

■ TLE6212	SP000451438	TLE6212XUMA1	PG-LQFP-64-1	System-IC for ABS/Traction Control/Electronic Stability Control, tape & reel
-----------	-------------	--------------	--------------	--

Power Interface Products for Motorcycle and Small Engines

TLE8080EM	SP000823824	TLE8080EMXUMA1	PG-SSOP-24	Engine management IC for small engines, 5V/250mA, K-line transceiver (ISO 9141), SPI, 4 low side driver with overtemperature and overcurrent protection, tape & reel
TLE8080-2EM	SP001052526	TLE80802EMXUMA1	PG-SSOP-24	Engine management IC for small engines, 5V/250mA, K-line transceiver (ISO 9141), SPI, 4 low side driver with overtemperature and overcurrent protection, tape & reel
TLE8088EM	SP000685716	TLE8088EMXUMA1	PG-SSOP-24	Engine management IC for small engines, 5V/150mA, K-line transceiver (ISO 9141), SPI, 1 low side driver with overtemperature and overcurrent protection, tape & reel

SMD = Surface Mounted Device

RF & Protection Devices

RF Bipolar Transistors & Active Bias Controller	171
RF Switches	174
RF MMICs	175
RF Diodes	177
RF MOSFETs	182
RF Schottky Diodes	183
ESD and EMI Protection Devices and Filters	184

Type	Ordering Code	Orderable Part Number	Package	Maximum Ratings		Characteristics ($T_A = 25^\circ\text{C}$)			
				V_{CEO}	I_c	f_T	G	at	f
				V	mA	GHz	dB		MHz

RF Bipolar Transistors

Low Noise Si Transistors up to 2.5GHz

BFP517	3k*	SP000010958	BFP517E6327HTSA1	SOT23	15	25	2.0	–	–
BFP181	3k*	SP000011013	BFP181E7764HTSA1	SOT143	12	20	8.0	16.5	1800
BFP182R	3k*	SP000011016	BFP182RE7764HTSA1	SOT143R	12	35	8.0	15	1800
▼ BFP182W	3k*	SP000745176	BFP182WH6327XTSA1	SOT343	12	35	8.0	15	1800
BFP183	3k*	SP000011018	BFP183E7764HTSA1	SOT143	12	65	8.0	20	900
BFP183W	3k*	SP000745244	BFP183WH6327XTSA1	SOT343	12	65	8.0	20	900
BFR181	3k*	SP000011047	BFR181E6327HTSA1	SOT23	12	20	8.0	18	900
BFR181W	3k*	SP000750418	BFR181WH6327XTSA1	SOT323	12	20	8.0	18	900
BFR182	3k*	SP000011051	BFR182E6327HTSA1	SOT23	12	35	8.0	18	900
BFR182W	3k*	SP000750420	BFR182WH6327XTSA1	SOT323	12	35	8.0	18	900
BFR183	3k*	SP000011054	BFR183E6327HTSA1	SOT23	12	65	8.0	18.5	900
BFR183W	3k*	SP000750422	BFR183WH6327XTSA1	SOT323	12	65	8.0	18.5	900
BFR340F	3k*	SP000750426	BFR340FH6327XTSA1	TSFP-3-1	6.0	10	14.0	16	1800
BFR340L3	15k*	SP000013558	BFR340L3E6327XTMA1	TSLP-3-7	6.0	10	14.0	17	1800
BFR35AP	3k*	SP000011060	BFR35APE6327HTSA1	SOT23	12	30	4.9	15	900
BFR360F	3k*	SP000750428	BFR360FH6327XTSA1	TSFP-3-1	6.0	35	14.0	15.5	1800
◆ BFR360F	3k*	SP000750442	BFR360FH6765XTSA1	TSFP-3-1	6.0	35	14.0	15.5	1800
◆ BFR360L3	15k*	SP000013561	BFR360L3E6765XTMA1	TSLP-3-1	6.0	35	14.0	16.5	1800
BFR92P	3k*	SP000011062	BFR92PE6327HTSA1	SOT23	15	30	5.0	15	900
BFR92W	3k*	SP000750446	BFR92WH6327XTSA1	SOT323	15	30	5.0	15.5	900
BFS17P	3k*	SP000011073	BFS17PE6327HTSA1	SOT23	15	25	2.5	–	–
BFS17S	3k*	SP000750448	BFS17SH6327XTSA1	SOT363	15	25	2.5	–	–
BFS17W	3k*	SP000750450	BFS17WH6327XTSA1	SOT323	15	25	2.5	–	–
BFS481	3k*	SP000750462	BFS481H6327XTSA1	SOT363	12	20	8	19	900
BFS483	3k*	SP000750464	BFS483H6327XTSA1	SOT363	12	65	8	19	900

Low Noise Si Transistors up to 5GHz

BFP405	3k*	SP000745254	BFP405H6327XTSA1	SOT343	4.5	12	25	22	1800
BFP405	3k*	SP000745256	BFP405H6740XTSA1	SOT343	4.5	12	25	22	1800
BFP405F	3k*	SP000745258	BFP405FH6327XTSA1	TSFP-4-1	4.5	12	25	22	1800
BFP410	3k*	SP000762244	BFP410H6327XTSA1	SOT343	4.5	35	25	21	1800
BFP420	3k*	SP000745260	BFP420H6327XTSA1	SOT343	4.5	35	25	22	1800
BFP420	3k*	SP000745264	BFP420H6740XTSA1	SOT343	4.5	35	25	22	1800
BFP420	3k*	SP000745266	BFP420H6801XTSA1	SOT343	4.5	35	25	22	1800
BFP420	10k*	SP000745262	BFP420H6433XTMA1	SOT343	4.5	35	25	22	1800
BFP420F	3k*	SP000745268	BFP420FH6327XTSA1	TSFP-4-1	4.5	35	25	22	1800
BFP460	3k*	SP000745276	BFP460H6327XTSA1	SOT343	4.5	50	22	17.5	1800
BFP520	3k*	SP000745280	BFP520H6327XTSA1	SOT343	2.5	40	45	23	1800
BFP520F	3k*	SP000745282	BFP520FH6327XTSA1	TSFP-4-1	2.5	40	45	23	1800
BFP540	3k*	SP000745288	BFP540H6327XTSA1	SOT343	4.5	80	29	21	1800
BFP540ESD	3k*	SP000745298	BFP540ESDH6327XTSA1	SOT343	4.6	80	29	21	1800
BFP540FESD	3k*	SP000745300	BFP540FESDH6327XTSA1	TSFP-4-1	4.7	80	29	21	1800
▼ BFR460L3	15k*	SP000014238	BFR460L3E6327XTMA1	TSLP-3-1	4.5	50	22	16	1800

* order unit

SMD = Surface Mounted Device

RF & Protection Devices

Type	Ordering Code	Orderable Part Number	Package	Maximum Ratings		Characteristics ($T_A = 25^\circ\text{C}$)			
				V_{CEO} V	I_{C} mA	f_{T} GHz	G dB	at	f MHz

RF Bipolar Transistors

Ultra Low Noise SiGe:C Transistors for use up to 12GHz

BFP620	3k*	SP000745302	BFP620H7764XTSA1	SOT343	2.3	80	65	21.5	1800
BFP620F	3k*	SP000745304	BFP620FH7764XTSA1	TSFP-4-1	2.3	80	65	21.5	1800
BFP640	3k*	SP000745306	BFP640H6327XTSA1	SOT343	4.0	50	40	24	1800
BFP640F	3k*	SP000750404	BFP640FH6327XTSA1	TSFP-4-1	4.0	50	40	24 12	1800 6000
BFP640ESD	3k*	SP000785482	BFP640ESDH6327XTSA1	SOT343	4.1	50	46	26.5 14.5	1800 5500
BFP640FESD	3k*	SP000890034	BFP640FESDH6327XTSA1	TSFP-4-1	4.1	50	46	27 14	1800 5500
BFP720	3k*	SP000750410	BFP720H6327XTSA1	SOT343	4.0	80	45	26.5 19.5	1800 5500
BFP720F	3k*	SP000750412	BFP720FH6327XTSA1	TSFP-4-1	4.0	80	45	26.5 19.5	1800 5500
BFP720ESD	3k*	SP000785484	BFP720ESDH6327XTSA1	SOT343	4.2	25	43	27 19	1800 6000
BFP720FESD	3k*	SP000853562	BFP720FESDH6327XTSA1	TSFP-4-1	4.0	25	45	27 21.5	1800 6000
BFP740	3k*	SP000750414	BFP740H6327XTSA1	SOT343	4.0	30	42	27.5 17	1800 6000
BFP740ESD	3k*	SP000785486	BFP740ESDH6327XTSA1	SOT343	4.0	35	47	27 18	1800 6000
BFP740FESD	3k*	SP000890036	BFP740FESDH6327XTSA1	TSFP-4-1	4.0	30	47	27 19.5	1800 6000
BFP840ESD	3k*	SP000943010	BFP840ESDH6327XTSA1	SOT343	2.25	35	80	18.5	5500
BFP840FESD	3k*	SP000977846	BFP840FESDH6327XTSA1	TSFP-4-1	2.25	35	85	19	5500
BFP842ESD	3k*	SP000943012	BFP842ESDH6327XTSA1	SOT343	3.25	40	60	16	3500
▼ BFP843	3k*	SP001062586	BFP843H6327XTSA1	SOT343	2.25	55	-	21 17	2400 5500
▼ BFP843F	3k*	SP001062606	BFP843FH6327XTSA1	TSFP-4-1	2.25	55	-	21.5 16.5	2400 5500
BFR720L3RH	3k*	SP000463888	BFR720L3RHE6327XTSA1	TSLP-3-9	4.0	25	43	26.5 19.5	1800 6000
BFR740L3RH	15k*	SP000252393	BFR740L3RHE6327XTSA1	TSLP-3-9	4.0	30	42	24.5 15	1800 5500
BFR750L3RH	15k*	SP000252588	BFR750L3RHE6327XTSA1	TSLP-3-9	4.0	90	37	118 8	1800 6000
BFR840L3RHESD	15k*	SP000978848	BFR840L3RHESDE6327XTSA1	TSLP-3-9	2.25	35	75	19	5500

* order unit

SMD = Surface Mounted Device

Type	Ordering Code	Orderable Part Number	Package	Maximum Ratings		Characteristics ($T_A = 25^\circ\text{C}$)		
				V_{CEO}	I_c	f_T	G at	f
				V	mA	GHz	dB	MHz

RF Bipolar Transistors

High Linearity Si- and SiGe:C Transistors for use up to 6GHz

BF771	3k*	SP000010967	BF771E6327HTSA1	SOT23	12	80	7.0	13.5	900
BF799	3k*	SP000010973	BF799E6327HTSA1	SOT23	20	35	1.1	–	–
BF799W	3k*	SP000734406	BF799WH6327XTSA1	SOT323	20	35	1.1	–	–
BFP193	3k*	SP000011024	BFP193E6327HTSA1	SOT143	12	80	8.0	15	900
BFP193W	3k*	SP000745248	BFP193WH6327XTSA1	SOT343	12	80	8.0	20	900
BFP196	3k*	SP000011027	BFP196E6327HTSA1	SOT143	12	100	7.2	16	900
BFP196W	3k*	SP000745250	BFP196WH6327XTSA1	SOT343	12	100	7.2	16	900
BFP450	3k*	SP000745270	BFP450H6327XTSA1	SOT343	4.5	100	24	14	1800
BFP450	10k*	SP000745272	BFP450H6433XTMA1	SOT343	4.5	100	24	14	1800
BFP650	3k*	SP000750406	BFP650H6327XTSA1	SOT343	4.0	150	36	21.5 11	1800 6000
BFP650F	3k*	SP000750408	BFP650FH6327XTSA1	TSFP-4-1	4.0	150	42	21.5 10.5	1800 5500
BFP740F	3k*	SP000750416	BFP740FH6327XTSA1	TSFP-4-1	4.0	160	42	27.5 19	1800 5500
▼ BFP760	3k*	SP001023768	BFP760H6327XTSA1	SOT343	4.0	70	45	25 16.5	1800 5500
BFQ19S	1k*	SP000011042	BFQ19SE6327HTSA1	SOT89	15	75	5.1	11.8	900
BFR106	3k*	SP000011044	BFR106E6327HTSA1	SOT23	15	100	4.9	12.5	900
BFR193	3k*	SP000011056	BFR193E6327HTSA1	SOT23	12	80	8.0	14.5	900
BFR193F	3k*	SP000750424	BFR193FH6327XTSA1	TSFP-3	12	80	8.0	14.5	900
BFR193W	3k*	SP000734404	BFR193WH6327XTSA1	SOT323	12	80	8.0	15.5	900
BFR193L3	3k*	SP000013557	BFR193L3E6327XTMA1	TSLP-3-1	12	150	8.0	19	900
BFR380F	15k*	SP000750444	BFR380FH6327XTSA1	TSFP-3-1	6.0	80	14.0	13.5	1800
BFR380L3	15k*	SP000013562	BFR380L3E6327XTMA1	TSLP-3-1	6.0	80	14.0	13.5	1800
BFR93A	3k*	SP000011066	BFR93AE6327HTSA1	SOT23	12	50	6.0	13.5	900
BFR93AW	3k*	SP000734402	BFR93AWH6327XTSA1	SOT323	12	50	6.0	15	900

Biased Low Noise RF Transistors

BGR405	3k*	SP000750466	BGR405H6327XTSA1	SOT343	4.5	12	0.4	7.0	1800
BGR420	3k*	SP000750468	BGR420H6327XTSA1	SOT343	4.5	25	0.4	15.5	1800

Type	Ordering Code	Orderable Part Number	Package	Maximum Ratings		Characteristics ($T_A = 25^\circ\text{C}$)	
				V_s	I_D	V_{drop}	vs V_s
				V	mA	V	%/V

Active Bias Controller for RF Transistors

BCR400W	3k*	SP000745168	BCR400WH6327XTSA1	SOT343	18	10	0.65	5
BCR410W	3k*	SP000745924	BCR410WH6327XTSA1	SOT343	18	0.5	0.11	2

* order unit

SMD = Surface Mounted Device

RF & Protection Devices

Type	Ordering Code	Orderable Part Number	Packages	Switch Type	Operation Ranges		Characteristics	
					f GHz	V_{dd} V	Insertion Loss dB	Isolation dB

RF Switches

General Purpose Switches

BGS12AL7-4	7.5k*	SP000427434	BGS12AL74E6327XTSA1	TSLP-7-4	SPDT	0.1 - 3	2.4 - 3.6	0.40	32
BGS12AL7-6	7.5k*	SP000531668	BGS12AL76E6327XTMA1	TSLP-7-6	SPDT	0.1 - 3	2.4 - 3.6	0.40	32
▼ BGS12PL6	15k*	SP001003644	BGS12PL6E6327XTSA1	TSLP-6-4	SPDT	0.1 - 4	2.4 - 3.6	0.40	37
▼ BGS12SL6	15k*	SP001030986	BGS12SL6E6327XTSA1	TSLP-6-2	SPDT	0.1 - 6	2.4 - 3.6	0.25	36
▼ BGS12SN6	15k*	SP001068580	BGS12SN6E6327XTSA1	TSNP-6-2	SPDT	0.1 - 6	1.8 - 3.5	0.25	40
▼ BGS13SL9	7.5k*	SP001003646	BGS13SL9E6327XTSA1	TSLP-9-3	SPT3T	0.1 - 3	2.4 - 3.6	0.35	37
▼ BGS22W2L10	7.5k*	SP001000962	BGS22W2L10E6327XTSA1	TSLP-10-1	DPDT	0.1 - 3	2.4 - 3.6	0.33	38
▼ BGS22WL10	7.5k*	SP000977020	BGS22WL10E6327XTSA1	TSLP-10-1	DPDT	0.1 - 3	2.4 - 3.6	0.33	35

Diversity Switches

▼ BGS14AN16	3k*	SP001078872	BGS14AN16E6327XTSA1	TSNP-16-6	SP4T	0.1 - 3	2.85 - 4.7	0.34	40
BGS15AN16	7.5k*	SP000795644	BGS15AN16E6327XTSA1	TSNP-16-6	SP5T	0.1 - 3	2.85 - 4.7	0.34	35

Antenna Switch Modules

▼ BGSF18DM20	4k*	SP000837138	BGSF18DM20E6327XUMA1	VCCN-20-1	SP8T	0.1 - 2.7	2.85 - 4.7	0.6	35
▼ BGSF18DM20	4k*	SP000971912	BGSF18DM20E6727XUMA1	VCCN-20-1	SP8T	0.1 - 2.7	2.85 - 4.7	0.6	35
▼ BGSF110GN26	2k*	SP001006660	BGSF110GN26E6327XTSA1	TSNP-26-1	SP10T	0.1 - 3.8	2.4 - 3.3	0.5	37
▼ BGSF1717MN26	2k*	SP001135902	BGSF1717MN26E6327XTSA1	TSNP-26-3	DP14T	0.1 - 3.8	2.4 - 3.3	0.5	47

* order unit

SMD = Surface Mounted Device

Type	Ordering Code	Orderable Part Number	Package	Maximum Ratings		Characteristics ($T_A = 25^\circ\text{C}$)		
				V_D	I_D	NF	G	f
				V	mA	dB	dB	MHz

RF MMICs

Broadband and Driver Amplifiers

BGA416	3k*	SP000013607	BGA416E6327HTSA1	SOT143	6.0	20	1.2	17	900
BGA420	3k*	SP000753504	BGA420H6327XTSA1	SOT343	6.0	15	2.2	17	1000
BGA427	3k*	SP000753506	BGA427H6327XTSA1	SOT343	6.0	25	2.2	18.5	1800
BGA612	3k*	SP000753510	BGA612H6327XTSA1	SOT343	2.8	80	2.0	17.5	1000
BGA614	3k*	SP000753512	BGA614H6327XTSA1	SOT343	2.9	80	2.0	19	1000
BGA616	3k*	SP000753514	BGA616H6327XTSA1	SOT343	4.5	80	2.5	19	1000

Low Noise Amplifiers

GPS LNA

▼ BGA231N7	7.5k*	SP001069624	BGA231N7E6327XTSA2	TSNP-7-1	3.6	20	0.75	16	1575
▼ BGA231N7	6k*	SP001067512	BGA231N7E6330XTSA1	TSNP-7-1	3.6	20	0.75	16	1575
BGA428	3k*	SP000753508	BGA428H6327XTSA1	SOT363	4.0	12	1.4	20	1800
BGA461	7.5k*	SP000463628	BGA461E6327XTSA1	TSLP-7-1	3.6	10	1.0	19	1575
BGA622L7	7.5k*	SP000017535	BGA622L7E6327XTSA1	TSLP-7-1	3.5	10	1.1	18	2140
▼ BGA715N7	7.5k*	SP001071580	BGA715N7E6327XTSA2	TSNP-7-1	3.6	10	0.75	20	1575
BGA725L6	15k*	SP000942752	BGA725L6E6327FTSA1	TSLP-6-2	3.6	20	0.65	19	1575
▼ BGA824N6	15k*	SP001079364	BGA824N6E6327XTSA1	TSNP-6-2	3.9	16	0.55	17	-
▼ BGA825L6S	15k*	SP001012810	BGA825L6SE6327XTSA1	TSLP-6-3	3.6	20	0.6	17	1575
BGA915N7	7.5k*	SP000849368	BGA915N7E6327XTMA1	TSNP-7-6	3.6	20	0.7	15.5	1575
BGA925L6	15k*	SP000902116	BGA925L6E6327XTSA1	TSLP-6-2	3.6	20	0.65	15.8	1575
BGM1032N7	3k*	SP000884092	BGM1032N7E6327XUSA1	TSNP-7-10	3.6	25	1.65	14.8	1575
BGM1033N7	3k*	SP000892662	BGM1033N7E6327XUSA1	TSNP-7-10	3.6	25	1.65	14.8	1575
BGM1034N7	3k*	SP000906264	BGM1034N7E6327XUSA1	TSNP-7-10	3.6	25	1.7	17	1575
▼ BGM1043N7	3k*	SP000974632	BGM1043N7E6327XUSA1	TSNP-7-10	3.6	25	1.5	17	1575

Mobile TV LNA

BGA728L7	7.5k*	SP000409848	BGA728L7E6327XTSA1	TSLP-7-1	3.6	20	1.3	15.75	470
----------	-------	-------------	--------------------	----------	-----	----	-----	-------	-----

WLAN/WiMax LNA

BGA622	3k*	SP000753516	BGA622H6820XTSA1	SOT343	3.5	10	1.0	14.8	1575
--------	-----	-------------	------------------	--------	-----	----	-----	------	------

* order unit

SMD = Surface Mounted Device

RF & Protection Devices

Type	Ordering Code	Orderable Part Number	Package	Maximum Ratings		Characteristics ($T_A = 25^\circ\text{C}$)		
				V_D	I_D	NF	G	f
				V	mA	dB	dB	MHz

RF MMICs

UMTS/3G/4G LNA

▼ BGA711N7	7.5k*	SP001061040	BGA711N7E6327XTSA1	TSNP-7-1	3.6	10	1.1	17	2100
▼ BGA713N7	7.5k*	SP001061042	BGA713N7E6327XTSA1	TSNP-7-1	3.6	10	1.1	15.5	700
BGA734L16	7.5k*	SP000293791	BGA734L16E6327XTSA1	TSLP-16-1	3.6	5	1.2	15	1900
BGA735N16	7.5k*	SP000659248	BGA735N16E6327XTSA1	TSNP-16-1	3.6	10	1.1	16	1900
BGA736L16	7.5k*	SP000366348	BGA736L16E6327XTSA1	TSLP-16-1	3.6	10	1.0	16.1	1900
BGA748L16	7.5k*	SP000608112	BGA748L16E6327XTSA1	TSLP-16-1	3.6	10	1.1	16.5	1960
BGA749N16	7.5k*	SP000765164	BGA749N16E6327XTSA1	TSNP-16-1	3.6	10	1.2	16.1	940
▼ BGA751N7	7.5k*	SP001061044	BGA751N7E6327XTSA1	TSNP-7-1	3.6	10	1.05	16	800
BGA771L16	7.5k*	SP000417116	BGA771L16E6327XTSA1	TSLP-16-1	3.6	10	1.1	16	900
▼ BGA777N7	7.5k*	SP001061046	BGA777N7E6327XTSA1	TSNP-7-1	3.6	10	1.2	16	2650

LTE LNA Banks

▼ BGM7LLHM4L12	7.5k*	SP001160598	BGM7LLHM4L12E6327XTSA1	TSLP-12-4	3.6	10	0.7	13	BB
▼ BGM7MLLH4L12	7.5k*	SP001160604	BGM7MLLH4L12E6327XTSA1	TSLP-12-4	3.6	10	0.7	13	BB
▼ BGM7MLLM4L12	7.5k*	SP001160606	BGM7MLLM4L12E6327XTSA1	TSLP-12-4	3.6	10	0.7	13	BB
▼ BGM7LMHM4L12	7.5k*	SP001160602	BGM7LMHM4L12E6327XTSA1	TSLP-12-4	3.6	10	0.7	13	BB
▼ BGM7HHMH4L12	7.5k*	SP001160600	BGM7HHMH4L12E6327XTSA1	TSLP-12-4	3.6	10	0.7	13	BB

Broadband/Wideband/FM+DVB Broadcast LNA

BGB707L7ESD	7.5k*	SP000531308	BGB707L7ESDE6327XTSA1	TSLP-7-1	4.0	25	1.0	15	10
BGB717L7ESD	7.5k*	SP000555608	BGB717L7ESDE6327XTSA1	TSLP-7-1	4.0	25	1.0	12	100
BGB717L7ESD	20k*	SP000638992	BGB717L7ESDE6433XTMA1	TSLP-7-1	4.0	25	1.0	12	100
BGB719N7ESD	7.5k*	SP000942784	BGB719N7ESDE6327XTMA1	TSNP-7-6	4.0	25	1.2	13	100
BGB741L7ESD	7.5k*	SP000442946	BGB741L7ESDE6327XTSA1	TSLP-7-1	4.0	30	1.3	17.5	2400

Type	Ordering Code	Orderable Part Number	Package	Typical Ratings		Characteristics ($T_A = 25^\circ\text{C}$)		
				V_S	I_{CC}	NF	G	f
				V	mA	dB	dB	GHz

mmW-MMICs

Silicon Germanium 24-GHz Twin IQ Receiver MMIC

▼ BGT24MR2	1k*	SP001140088	BGT24MR2E6327XUMA1	VQFN-32-9	3.3	90	12	26	24 - 24.25
------------	-----	-------------	--------------------	-----------	-----	----	----	----	------------

Silicon Germanium 24-GHz Transceiver MMIC

▼ BGT24MTR11	1k*	SP001140086	BGT24MTR11E6327XUMA1	VQFN-32-9	3.3	150	12	26	24 - 26
▼ BGT24MTR12	1k*	SP001140084	BGT24MTR12E6327XUMA1	VQFN-32-9	3.3	210	12	26	24 - 24.25

* order unit

SMD = Surface Mounted Device

Type	Ordering Code	Orderable Part Number	Package	Maximum Ratings		Characteristics ($T_A = 25^\circ\text{C}$)		
				V_R	I_F	C_T	V_R	r_F
				V	mA	pF	V	Ω

RF PIN Diodes

Antenna Switching

BAR50-02V	3k*	SP000742882	BAR5002VH6327XTSA1	SC79	50	100	0.24	1	3.00
BAR50-03W	3k*	SP000012920	BAR5003WE6327HTSA1	SOD323	50	100	0.24	1	3.00
BAR63-02L	15k*	SP000013537	BAR6302LE6327XTMA1	TSLP-2-1	50	100	0.21	5	1.00
BAR63-02V	3k*	SP000742888	BAR6302VH6327XTSA1	SC79	50	100	0.21	5	1.00
■ BAR63-02W	3k*	SP000742890	BAR6302WH6327XTSA1	SCD80	50	100	0.21	5	1.00
BAR63-03W	3k*	SP000010172	BAR6303WE6327HTSA1	SOD323	50	100	0.21	5	1.00
BAR63-04(Dual)	3k*	SP000012206	BAR6304E6327HTSA1	SOT23	50	100	0.21	5	1.00
BAR63-04W(Dual)	3k*	SP000742896	BAR6304WH6327XTSA1	SOT323	50	100	0.21	5	1.00
BAR63-05 (Dual)	3k*	SP000012207	BAR6305E6327HTSA1	SOT23	50	100	0.21	5	1.00
BAR63-05W (Dual)	3k*	SP000766086	BAR6305WH6327XTSA1	SOT323	50	100	0.21	5	1.00
BAR63-06 (Dual)	3k*	SP000012208	BAR6306E6327HTSA1	SOT23	50	100	0.21	5	1.10
BAR63-06W (Dual)	3k*	SP000743402	BAR6306WH6327XTSA1	SOT323	50	100	0.21	5	1.00
■ BAR64-02LRH	15k*	SP0000051041	BAR6402LRHE6327XTSA1	TSLP-2-7	150	100	0.23	20	2.10
▼ BAR64-02EL	15k*	SP001114996	BAR6402ELE6327XTMA1	TSLP-2-3	150	100	0.23	20	2.10
BAR64-02V	3k*	SP000743408	BAR6402VH6327XTSA1	SC79	150	100	0.23	20	2.10
BAR64-03W	3k*	SP000010179	BAR6403WE6327HTSA1	SOD323	150	100	0.23	20	2.10
BAR64-04 (Dual)	3k*	SP000012211	BAR6404E6327HTSA1	SOT23	150	100	0.23	20	2.10
BAR64-04W (Dual)	3k*	SP000743414	BAR6404WH6327XTSA1	SOT323	150	100	0.23	20	2.10
BAR64-05 (Dual)	3k*	SP000012212	BAR6405E6327HTSA1	SOT23	150	100	0.23	20	2.10
BAR64-05 (Dual)	10k*	SP000012214	BAR6405E6433HTMA1	SOT23	150	100	0.23	20	2.10
BAR64-05W (Dual)	3k*	SP000734362	BAR6405WH6327XTSA1	SOT323	150	100	0.23	20	2.10
BAR64-06 (Dual)	3k*	SP000012213	BAR6406E6327HTSA1	SOT23	150	100	0.23	20	2.10
BAR64-06W (Dual)	3k*	SP000743444	BAR6406WH6327XTSA1	SOT323	150	100	0.23	20	2.10
BAR65-02V	3k*	SP000743446	BAR6502VH6327XTSA1	SC79	30	100	0.60	1	0.56
BAR65-03W	3k*	SP000010186	BAR6503WE6327HTSA1	SOD323	30	100	0.60	1	0.56
BAR66 (Dual)	3k*	SP000010187	BAR66E6327HTSA1	SOT23	150	200	0.40	3	1.50
BAR66 (Dual)	10k*	SP000737168	BAR66E6433HTMA1	SOT23	150	200	0.40	3	1.50
BAR67-02V	3k*	SP000743448	BAR6702VH6327XTSA1	SC79	150	200	0.35	5	1.00
BAR67-04 (Dual)	3k*	SP000268691	BAR6704E6327HTSA1	SOT23	150	200	0.35	5	1.00
BAR81W	3k*	SP000743450	BAR81WH6327XTSA1	SOT343	30	100	0.60	1	0.70
BAR88-02V	3k*	SP000743452	BAR8802VH6327XTSA1	SC79	80	100	0.30	1	0.80
BAR88-02LRH	15k*	SP0000051042	BAR8802LRHE6327XTSA1	TSLP-2-7	80	100	0.30	1	0.80
BAR89-02LRH	15k*	SP0000051043	BAR8902LRHE6327XTSA1	TSLP-2-7	80	100	0.25	1	0.80
■ BAR89-02LRH	50k*	SP0000083407	BAR8902LRHE6433XTMA1	TSLP-2-7	80	100	0.25	1	0.80
▼ BAR90-02EL	15k*	SP001114994	BAR9002ELE6327XTMA1	TSLP-2-3	80	100	0.25	1	0.80
▼ BAR90-02ELS	15k*	SP000870276	BAR9002ELSE6327XTSA1	TSSLP-2-3	80	100	0.25	1	0.80
■ BAR90-02LRH	15k*	SP0000051045	BAR9002LRHE6327XTSA1	TSLP-2-7	80	100	0.25	1	0.80

* order unit

SMD = Surface Mounted Device

RF & Protection Devices

Type	Ordering Code	Orderable Part Number	Package	Maximum Ratings		Characteristics ($T_A = 25^\circ\text{C}$)		
				$V_{R\text{ max}}$	$I_{F\text{ max}}$	C_T	V_R	r_F
				V	mA	pF	V	Ω

RF PIN Diodes

Band Switching + RF Attenuation

BA592	3k*	SP000010141	BA592E6327HTSA1	SOD323	35	100	0.85	3	0.36
BA592	10k*	SP000010142	BA592E6433HTMA1	SOD323	35	100	0.85	3	0.36
BA595	3k*	SP000010146	BA595E6327HTSA1	SOD323	50	50	0.26	10	5.00
■ BA595	10k*	SP000010148	BA595E6433HTMA1	SOD323	50	50	0.26	10	5.00
BA885	3k*	SP000010151	BA885E6327HTSA1	SOT23	50	100	0.28	10	5.00
■ BA892	3k*	SP000734344	BA892H6327XTSA1	SCD80	35	100	0.85	3	0.36
■ BA892	3k*	SP000745044	BA892H6770XTSA1	SCD80	35	100	0.85	3	0.36
■ BA892	8k*	SP000745042	BA892H6127XTSA1	SCD80	35	100	0.85	3	0.36
■ BA892	10k*	SP000734328	BA892H6433XTMA1	SCD80	35	100	0.85	3	0.36
BA892-02V	3k*	SP000745054	BA89202VH6327XTSA1	SC79	35	100	0.85	3	0.36
BA892-02V	8k*	SP000745052	BA89202VH6127XTSA1	SC79	35	100	0.85	3	0.36
■ BA895	3k*	SP000745062	BA895H6327XTSA1	SCD80	50	50	0.23	10	4.50
BAR14-1 (Dual)	3k*	SP000010164	BAR141E6327HTSA1	SOT23	100	140	0.25	50	7.00
BAR15-1 (Dual)	3k*	SP000010163	BAR151E6327HTSA1	SOT23	100	140	0.25	50	7.00
BAR16-1 (Dual)	3k*	SP000010165	BAR161E6327HTSA1	SOT23	100	140	0.25	50	7.00
BAR61 (Triple)	3k*	SP000010169	BAR61E6327HTSA1	SOT143	100	140	0.25	50	7.00
BAT18-04 (Dual)	3k*	SP000010290	BAT1804E6327HTSA1	SOT23	35	100	0.92	1	0.36
BAT18-05 (Dual)	3k*	SP000010291	BAT1805E6327HTSA1	SOT23	35	100	0.92	1	0.36

* order unit

SMD = Surface Mounted Device

Type	Ordering Code	Orderable Part Number	Package	Maximum Ratings		Characteristics ($T_A = 25^\circ\text{C}$)			
				V_R	I_F	C_T	V_R	C_{T1}/C_{T2}	
				V	mA	pF	V		

RF Varactor Diodes**FM Tuner**

BB804SF1 (Dual)	3k*	SP000010425	BB804SF1E6327HTSA1	SOT23	20	50	43.0... 44.5	2	1.70
BB804SF2 (Dual)	3k*	SP000010426	BB804SF2E6327HTSA1	SOT23	20	50	44.0 ... 45.5	2	1.70
BB814GR1 (Dual)	3k*	SP000010433	BB814E6327GR1HTSA1	SOT23	20	50	43.0 ... 44.5	2	2.05 ... 2.25
■ BB814GR2 (Dual)	3k*	SP000010435	BB814E6327GR2HTSA1	SOT23	20	50	45.0 ... 46.5	2	2.05 ... 2.25
BB844 (Dual)	3k*	SP000013388	BB844E6327HTSA1	SOT23	18	50	42.5 ... 45	2	3.20 ... 3.80
BB914 (Dual)	3k*	SP000010445	BB914E6327HTSA1	SOT23	20	50	42.5 ... 45	2	2.28 ... 2.42

SAT Tuner

BB831	3k*	SP000012250	BB831E7904HTSA1	SOD323	30	20	7.8... 9.8	1	8.60
BB833	3k*	SP000010437	BB833E6327HTSA1	SOD323	30	20	8.5...10	1	12.40
BB837	3k*	SP000010441	BB837E6327HTSA1	SOD323	30	20	6.0... 7.2	1	12.20
BB857 matched	3k*	SP000745128	BB857H7902XTSA1	SCD80	30	20	6.0... 7.2	1	12.00

UHF and VHF Tuner

BB439 matched	3k*	SP000010372	BB439E6327HTSA1	SOD323	30	20	26...32	3	5 ... 6.5
BB535 matched	3k*	SP000010375	BB535E7904HTSA1	SOD323	30	20	17.5... 20	1	8.2 ... 9.8
BB535 unmatched	3k*	SP000010374	BB535E7907HTMA1	SOD323	30	20	17.5 ... 20	1	8.2 ... 9.8
▼ BB535 matched	3k*	SP000010377	BB535E7908HTSA1	SOD323	30	20	17.5 ... 20	1	8.2 ... 9.8
BB545 matched	3k*	SP000010383	BB545E7904HTSA1	SOD323	30	20	18.5 ... 21.5	1	9 ... 11
BB555 matched	3k*	SP000733802	BB555H7902XTSA1	SCD80	30	20	17.5 ... 20	1	6.7
BB555 matched	8k*	SP000745068	BB555H7912XTSA1	SCD80	30	20	17.5 ... 20	1	6.7
BB555-02V matched	3k*	SP000745088	BB55502VH7902XTSA1	SC79	30	20	17.5 ... 20	1	8.2 ... 9.8
BB555-02V matched	8k*	SP000745092	BB55502VH7912XTSA1	SC79	30	20	17.5 ... 20	1	8.2 ... 9.8
BB565 matched	3k*	SP000745094	BB565H7902XTSA1	SCD80	30	20	18.5 ... 21.5	1	7.2
BB565 unmatched	3k*	SP000745096	BB565H7908XTSA1	SCD80	30	20	18.5 ... 21.5	1	7.2
BB565 matched	8k*	SP000842826	BB565H7912XTSA1	SCD80	30	20	18.5 ... 21.5	1	7.2
BB565-02V matched	3k*	SP000745098	BB56502VH7902XTSA1	SC79	30	20	18.5 ... 21.5	1	9 ... 11

* order unit

SMD = Surface Mounted Device

RF & Protection Devices

Type	Ordering Code	Orderable Part Number	Package	Maximum Ratings		Characteristics ($T_A = 25^\circ\text{C}$)		
				V_R V	I_F mA	C_T pF	V_R V	C_{T1}/C_{T2}

RF Varactor Diodes

UHF and VHF Tuner (cont'd)

BB639 matched	3k*	SP000010401	BB639E7904HTSA1	SOD323	30	20	36...42	1	13.5
BB639C matched	3k*	SP000010396	BB639CE7904HTSA1	SOD323	30	20	36...42	1	11.1
BB639C unmatched	3k*	SP000010398	BB639CE7908HTSA1	SOD323	30	20	36...42	1	11.1
BB640 matched	3k*	SP000010406	BB640E6327HTSA1	SOD323	30	20	62...76	1	19.5
BB644 matched	3k*	SP000010411	BB644E7904HTSA1	SOD323	30	20	39... 44.5	1	11.8
BB659 matched	3k*	SP000745102	BB659H7902XTSA1	SCD 80	30	20	36...40	1	14.7
BB659C matched	3k*	SP000734324	BB659CH7902XTSA1	SCD80	30	20	36...40	1	11.1
BB659C matched	8k*	SP000745104	BB659CH7912XTSA1	SCD80	30	20	36...42	1	11.1
BB659C matched	10k*	SP000734342	BB659CH7903XTMA1	SCD80	30	20	36...42	1	11.1
BB659C-02V matched	3k*	SP000745108	BB659C02VH7902XTSA1	SC79	30	20	36.5... 42	1	9.5 ... 11.1
BB659C-02V unmatched	3k*	SP000745110	BB659C02VH7908XTSA1	SC79	30	20	36.5... 42	1	9.5 ... 11.1
BB659C-02V matched	8k*	SP000745112	BB659C02VH7912XTSA1	SC79	30	20	36.5... 42	1	9.5 ... 11.1
BB664 matched	3k*	SP000745114	BB664H7902XTSA1	SCD80	30	20	39... 44.5	1	11.8
BB664-02V matched	3k*	SP000745118	BB66402VH7902XTSA1	SC79	30	20	39... 44.5	1	11.8
BB669 matched	3k*	SP000010419	BB669E7904HTSA1	SOD323	30	20	51... 61.5	1	15.5
BB689 matched	3k*	SP000734326	BB689H7902XTSA1	SCD80	30	20	51... 61.5	1	15.5
BB689 unmatched	3k*	SP000745122	BB689H7908XTSA1	SCD80	30	20	51... 61.5	1	15.5
BB689 matched	8k*	SP000842828	BB689H7912XTSA1	SCD80	30	20	51... 61.5	1	15.5
BB689-02V matched	3k*	SP000745124	BB68902VH7902XTSA1	SC79	30	20	51... 61.5	1	15.5
BB689-02V unmatched	3k*	SP000745126	BB68902VH7908XTSA1	SC79	30	20	51... 61.5	1	15.5

* order unit

SMD = Surface Mounted Device

Type	Ordering Code	Orderable Part Number	Package	Maximum Ratings		Characteristics ($T_A = 25^\circ\text{C}$)		
				V_R	I_F	C_T	V_R	C_{T1}/C_{T2}
				V	mA	pF	V	

RF Varactor Diodes

VCO and Low Voltage Tuner

■ BBY51-02W	3k*	SP000743540	BBY5102WH6327XTSA1	SCD80	7	20	4.5...6.1	1	1.75
BBY51-03W	3k*	SP000010453	BBY5103WE6327HTSA1	SOD323	7	20	4.5...6.1	1	1.75
BBY52-02L	15k*	SP000014591	BBY5202LE6327XTMA1	TSLP-2-1	7	20	1.4...2.2	1	1.60
BBY52-02L	15k*	SP000621074	BBY5202LE6816XTMA1	TSLP-2-1	7	20	1.4...2.2	1	1.60
■ BBY52-02W	3k*	SP000743548	BBY5202WH6327XTSA1	SCD80	7	20	1.4...2.2	1	1.60
BBY53-02L	15k*	SP000014592	BBY5302LE6327XTMA1	TSLP-2-1	6	20	4.8...5.8	1	2.20
BBY53-02V	3k*	SP000743550	BBY5302VH6327XTSA1	SC79	6	20	4.8...5.8	1	2.20
BBY53-02W	3k*	SP000743552	BBY5302WH6327XTSA1	SCD80	6	20	4.8...5.8	1	2.20
BBY53-03W	3k*	SP000010461	BBY5303WE6327HTSA1	SOD323	6	20	4.8...5.8	1	2.20
BBY53-05W (Dual)	3k*	SP000743554	BBY5305WH6327XTSA1	SOT323	6	20	4.8...5.8	1	2.20
BBY55-02V	3k*	SP000743556	BBY5502VH6327XTSA1	SC79	16	20	14...16	1	2.50
■ BBY55-02W	3k*	SP000743558	BBY5502WH6327XTSA1	SCD80	16	20	14...16	1	2.50
BBY55-03W	3k*	SP000012238	BBY5503WE6327HTSA1	SOD323	16	20	14...16	1	2.50
■ BBY56-02W	3k*	SP000734340	BBY5602WH6327XTSA1	SCD80	10	20	59...67	1	2.45
BBY56-03W	3k*	SP000012239	BBY5603WE6327HTSA1	SOD323	10	20	59...67	1	2.45
BBY57-02V	3k*	SP000743560	BBY5702VH6327XTSA1	SC79	10	20	16.5 ... 18.6	1	2.45
■ BBY57-02W	3k*	SP000743562	BBY5702WH6327XTSA1	SCD80	10	20	16.5 ... 18.6	1	2.45
BBY57-05W (Dual)	3k*	SP000743564	BBY5705WH6327XTSA1	SOT323	10	20	16.5 ... 18.6	1	2.45
BBY58-02V	3k*	SP000743566	BBY5802VH6327XTSA1	SC79	10	20	17.5 ... 19.3	1	2.15
■ BBY58-02W	3k*	SP000743570	BBY5802WH6327XTSA1	SCD80	10	20	17.5 ... 19.3	1	2.15
BBY58-03W	3k*	SP000012240	BBY5803WE6327HTSA1	SOD323	10	20	17.5 ... 19.3	1	2.15
BBY58-05W (Dual)	3k*	SP000743572	BBY5805WH6327XTSA1	SOT323	10	20	17.5 ... 19.3	1	2.15
BBY58-06W (Dual)	3k*	SP000743574	BBY5806WH6327XTSA1	SOT323	10	20	17.5 ... 19.3	1	2.15
BBY65-02V	3k*	SP000743576	BBY6502VH6327XTSA1	SC79	15	50	20.25	1	4.55
BBY66-02V	3k*	SP000743580	BBY6602VH6327XTSA1	SC79	12	50	66.0... 71.5	1	5.41
BBY66-05W	3k*	SP000743582	BBY6605WH6327XTSA1	SOT323	12	50	66.0... 71.5	1	5.41

* order unit

SMD = Surface Mounted Device

RF & Protection Devices

Type	Ordering Code	Orderable Part Number	Package	Maximum Ratings			Characteristics ($T_A = 25^\circ\text{C}$)					
				V_{DS}	I_D	P_{tot}	G_{ps}	F at	V_{DS}	I_D	g_{fs}	
				V	mA	mW	dB	dB	V	mA	mS	

RF MOSFETs

Dual Intelligent Switching (800MHz)

BG3430R	3k*	SP000753498	BG3430RH6327XTSA1	SOT363	8	25	200	25	1.30	5	14	33
BG5412K	3k*	SP000753502	BG5412KH6327XTSA1	SOT363	8	25	200	24	1.20	5	10	33

Dual Semi Biased (800MHz)

BG3123	3k*	SP000753490	BG3123H6327XTSA1	SOT363	8	25	160	24	1.30	5	10	25/30
BG3123R	3k*	SP000753492	BG3123RH6327XTSA1	SOT363	8	25	160	24	1.30	5	10	25/30
BG3130	3k*	SP000753494	BG3130H6327XTSA1	SOT363	8	25	160	24	1.30	5	10	33/33
BG3130R	3k*	SP000753496	BG3130RH6327XTSA1	SOT363	8	25	160	24	1.30	5	10	33/33
BG5120K	3k*	SP000753500	BG5120KH6327XTSA1	SOT363	8	20	200	24	1.20	5	10	33

Single Semi Biased (800MHz)

BF2030	3k*	SP000012219	BF2030E6814HTSA1	SOT143	14	40	200	–	2.0	5	10	31
BF2030W	3k*	SP000752012	BF2030WH6814XTSA1	SOT343	14	40	200	–	2.0	5	10	31
BF2040	3k*	SP000012215	BF2040E6814HTSA1	SOT143	8	20	200	21	1.7	5	15	45
BF2040R	3k*	SP000012216	BF2040RE6814HTSA1	SOT143R	8	20	200	21	1.7	5	15	45
BF2040W	3k*	SP000753484	BF2040WH6814XTSA1	SOT343	8	20	200	23	1.6	5	15	45
BF5020W	3k*	SP000753486	BF5020WH6327XTSA1	SOT343	8	25	200	26	1.2	5	10	34
BF5030W	3k*	SP000753488	BF5030WH6327XTSA1	SOT343	8	25	200	24	1.3	3	10	41

Single Full Biased (800MHz)

BF1005	3k*	SP000010946	BF1005E6327HTSA1	SOT143	8	25	200	18	1.40	5	10	24
BF1005S	3k*	SP000010949	BF1005SE6327HTSA1	SOT143	8	25	200	19	1.60	5	12	30
BF1009S	3k*	SP000010955	BF1009SE6327HTSA1	SOT143	12	25	200	22	1.40	9	12	30
BF1009SR	3k*	SP000010956	BF1009SRE6327HTSA1	SOT143R	12	25	200	22	1.40	9	12	30

Single Non Biased (200 - 800MHz)

BF998	3k*	SP000010978	BF998E6327HTSA1	SOT143	12	30	200	20	1.00	8	10	24
BF998R	3k*	SP000010979	BF998RE6327HTSA1	SOT143R	12	30	200	20	1.00	8	10	24
BF999	3k*	SP000010985	BF999E6327HTSA1	SOT23	20	30	200	25	1.00	10	10	16
BF999	10k*	SP000426300	BF999E6433HTMA1	SOT23	20	30	200	25	1.00	10	10	16

* order unit

SMD = Surface Mounted Device

Type	Ordering Code	Orderable Part Number	Package	Maximum Ratings		Characteristics ($T_A = 25^\circ\text{C}$)	
				V_R V	I_F mA	V_F V	at I_F mA

RF Schottky Diodes**RF Mixer**

BAT15-02LRH	15k*	SP000055124	BAT1502LRHE6327XTSA1	TSLP-2-7	4	110	230	1
BAT15-02LS	70k*	SP000703608	BAT1502LSE6433XTMA1	TSSLP-2-1	4	110	230	1
BAT15-03W	3k*	SP000010272	BAT1503WE6327HTSA1	SOD323	4	110	230	1
BAT15-04R	3k*	SP000960186	BAT1504RE6152HTSA1	SOT23	4	110	230	1
■ BAT15-04R	3k*	SP000659920	BAT1504RE6327HTSA1	SOT23	4	110	230	1
BAT15-04W (Dual)	3k*	SP000743458	BAT1504WH6327XTSA1	SOT323	4	110	230	1
BAT15-05W (Dual)	3k*	SP000743460	BAT1505WH6327XTSA1	SOT323	4	110	230	1
BAT15-099 (Dual)	3k*	SP000010273	BAT15099E6327HTSA1	SOT143	4	110	230	1
BAT15-099 (Dual)	10k*	SP000010275	BAT15099E6433HTMA1	SOT143	4	110	230	1
BAT15-099R (Dual)	3k*	SP000010276	BAT15099RE6327HTSA1	SOT143	4	110	230	1
BAT17	3k*	SP000010280	BAT17E6327HTSA1	SOT23	4	130	340	1
BAT17-04 (Dual)	3k*	SP000010283	BAT1704E6327HTSA1	SOT23	4	130	340	1
BAT17-04W (Dual)	3k*	SP000743462	BAT1704WH6327XTSA1	SOT323	4	130	340	1
BAT17-05 (Dual)	3k*	SP000010285	BAT1705E6327HTSA1	SOT23	4	130	340	1
BAT17-05W (Dual)	3k*	SP000743464	BAT1705WH6327XTSA1	SOT323	4	130	340	1
BAT17-06W (Dual)	3k*	SP000743466	BAT1706WH6327XTSA1	SOT323	4	130	340	1
BAT17-07 (Dual)	3k*	SP000010289	BAT1707E6327HTSA1	SOT143	4	130	350	1
BAT24-02LS	15k*	SP000304927	BAT2402LSE6327XTSA1	TSSLP-2-1	4	110	230	1

RF Signal Detection + Power Leveling

■ BAT62	3k*	SP000010300	BAT62E6327HTSA1	SOT143	40	20	580	2
BAT62-02LS	15k*	SP000273996	BAT6202LSE6327XTSA1	TSSLP-2-1	40	20	580	2
BAT62-02W	3k*	SP000743522	BAT6202WH6327XTSA1	SCD80	40	20	580	2
BAT62-03W	3k*	SP000010303	BAT6203WE6327HTSA1	SOD323	40	20	580	2
■ BAT62-07L4 (Dual)	3k*	SP000077202	BAT6207L4E6433XTMA1	TSLP-4-4	40	20	580	2
BAT62-07W (Dual)	3k*	SP000743524	BAT6207WH6327XTSA1	SOT343	40	20	580	2
BAT63-02V	3k*	SP000743526	BAT6302VH6327XTSA1	SC79	3	100	190	1
BAT63-07W	3k*	SP000743534	BAT6307WH6327XTSA1	SOT343	3	100	190	1
BAT68	3k*	SP000012514	BAT68E6327HTSA1	SOT23	8	130	320	1
BAT68-04 (Dual)	3k*	SP000010320	BAT6804E6327HTSA1	SOT23	8	130	320	1
BAT68-04W (Dual)	3k*	SP000743536	BAT6804WH6327XTSA1	SOT323	8	130	320	1
BAT68-06 (Dual)	3k*	SP000010322	BAT6806E6327HTSA1	SOT23	8	130	320	1
BAT68-06W (Dual)	3k*	SP000743538	BAT6806WH6327XTSA1	SOT323	8	130	320	1

* order unit

SMD = Surface Mounted Device

RF & Protection Devices

Type	Ordering Code	Orderable Part Number	Package	Characteristics		
				V_{RWM} V	EFT IEC61000-4-4 A	V_{ESD} IEC61000-4-2 kV

ESD and EMI Protection Devices and Filters

TVS Diodes for ESD Protection on Audio, Speaker, Headset Lines

Implementation of these devices in some other application categories is possible. Please consult your Infineon Sales contact.

ESD5V3L1B-02LRH	15k*	SP000921756	ESD5V3L1B02LRHE6327XTSA1	TSLP-2-17	±5.3	40	±20
ESD5V3S1U-02LRH	15k*	SP000643196	ESD5V3S1U02LRHE6327XTSA1	TSLP-2-17	5.3	50	±25
▼ ESD200-B1-CSP0201	15k*	SP000992756	ESD200B1CSP0201XTSA1	WLL-2-1	±5.5	n.a.	±16
▼ ESD203-B1-02EL	15k*	SP001112360	ESD203B102ELE6327XTMA1	TSLP-2-20	±12	50	±30
▼ ESD203-B1-02ELS	15k*	SP001117372	ESD203B102ELSE6327XTSA1	TSSLP-2-3	±12	50	±30
▼ ESD204-B1-02EL	15k*	SP001113390	ESD204B102ELE6327XTMA1	TSLP-2-20	-8/+14	40	±20
▼ ESD204-B1-02ELS	15k*	SP001061700	ESD204B102ELSE6327XTSA1	TSSLP-2-3	-8/+14	40	±20
ESD205-B1-02ELS	15k*	SP001014496	ESD205B102ELSE6327XTSA1	TSSLP-2-3	±5.5	40	±20
▼ ESD206-B1-02EL	15k*	SP001123720	ESD206B102ELE6327XTMA1	TSLP-2-20	±5.5	50	±30
▼ ESD206-B1-02ELS	15k*	SP001117378	ESD206B102ELSE6327XTSA1	TSSLP-2-3	±5.5	50	±30
▼ ESD206-B1-02V	15k*	SP001107442	ESD206B102VE6327XTSA1	SC79	±5.5	50	±30
▼ ESD207-B1-02EL	15k*	SP001112362	ESD207B102ELE6327XTMA1	TSLP-2-20	±3.3	40	±30
▼ ESD207-B1-02ELS	15k*	SP001109118	ESD207B102ELSE6327XTSA1	TSSLP-2-3	±3.3	40	±30
▼ ESD208-B1-02EL	15k*	SP001139550	ESD208B102ELE6327XTMA1	TSLP-2-20	±3.3	80	±30
▼ ESD208-B1-02ELS	15k*	SP001131980	ESD208B102ELSE6327XTSA1	TSSLP-2-3	±3.3	80	±30

TVS Diodes for ESD Protection in RF Applications (GPS antenna, FM radio, Mobile TV, Bluetooth, etc.)

Implementation of these devices in some other application categories is possible. Please consult your Infineon Sales contact.

ESD1P0RFS	3k*	SP000753518	ESD1P0RFSH6327XTSA1	SOT363	70	40	±20
ESD1P0RFW	3k*	SP000753520	ESD1P0RFWH6327XTSA1	SOT323	70	40	±20
▼ ESD101-B1-02EL	15k*	SP001112354	ESD101B102ELE6327XTMA1	TSLP-2-20	±5.5	n.a.	±10
▼ ESD101-B1-02ELS	15k*	SP001050534	ESD101B102ELSE6327XTSA1	TSSLP-2-4	±5.5	n.a.	±10
▼ ESD103-B1-02EL	15k*	SP001112358	ESD103B102ELE6327XTMA1	TSLP-2-20	±15	n.a.	±10
▼ ESD103-B1-02ELS	15k*	SP001077908	ESD103B102ELSE6327XTSA1	TSSLP-2-4	±15	n.a.	±10
▼ ESD105-B1-02EL	15k*	SP001165248	ESD105B102ELE6327XTMA1	TSLP-2-20	±5.5	50	±25
▼ ESD105-B1-02ELS	15k*	SP001133746	ESD105B102ELSE6327XTSA1	TSSLP-2-4	±5.5	50	±25
▼ ESD108-B1-CSP0201	15k*	SP001126862	ESD108B1CSP0201XTSA1	WLL-2-1	±5.5	40	±25
▼ ESD110-B1-02ELS	15k*	SP001061684	ESD110B102ELSE6327XTSA1	TSSLP-2-4	±18.5	n.a.	±15
▼ ESD112-B1-02EL	15k*	SP001113386	ESD112B102ELE6327XTMA1	TSLP-2-20	±5.3	40	±20
▼ ESD112-B1-02ELS	15k*	SP001061690	ESD112B102ELSE6327XTSA1	TSSLP-2-4	±5.3	40	±20
▼ ESD113-B1-02ELS	15k*	SP001061696	ESD113B102ELSE6327XTSA1	TSSLP-2-4	±3.6	50	±20
ESD0P8RFL	15k*	SP000362197	ESD0P8RFL6327XTSA1	TSLP-4-7	50	40	±20
ESD5V3L1U-02LRH	15k*	SP000781844	ESD5V3L1U02LRHE6327XTSA1	TSLP-2-17	5.3	80	±30
ESD18VU1B-02LRH	15k*	SP000884276	ESD18VU1B02LRHE6327XTSA1	TSLP-2-17	±18.5	n.a.	±16.5

* order unit

SMD = Surface Mounted Device

Type	Ordering Code	Orderable Part Number	Package	Characteristics		
				V_{RWM} V	<i>EFT</i> IEC61000-4-4 A	V_{ESD} IEC61000-4-2 kV

ESD and EMI Protection Devices and Filters**TVS Diodes for ESD Protection of High Speed Digital Lines (USB 2.0/3.0, HDMI 1.3, Mobile HDMI Link, MIPI, etc.)**

Implementation of these devices in some other application categories is possible. Please consult your Infineon Sales contact.

ESD3V3U1U-02LRH	15k*	SP000390728	ESD3V3U1U02LRHE6327XTSA1	TSLP-2-7	3.3	50	±20
ESD3V3U1U-02LS	15k*	SP000394145	ESD3V3U1U02LSE6327XTSA1	TSSLP-2-1	3.3	50	±20
ESD5V3U1U-02LRH	15k*	SP000394151	ESD5V3U1U02LRHE6327XTSA1	TSLP-2-7	5.3	50	±20
ESD5V3U1U-02LS	15k*	SP000394147	ESD5V3U1U02LSE6327XTSA1	TSSLP-2-1	5.3	50	±20
ESD5V3L1U-02LRH	15k*	SP000781844	ESD5V3L1U02LRHE6327XTSA1	TSLP-2-17	5.3	80	±30
ESD5V3U2U-03F	3k*	SP000753526	ESD5V3U2U03FH6327XTSA1	TSFP-3-1	5.3	40	±20
ESD5V3U2U-03LRH	15k*	SP000427412	ESD5V3U2U03LRHE6327XTMA1	TSLP-3-7	5.3	40	±20
ESD5V5U5ULC	3k*	SP000868506	ESD5V5U5ULCE6327HTSA1	SC74	5.5	50	±25
ESD5V3U4RRS	3k*	SP000753528	ESD5V3U4RRSH6327XTSA1	SOT363	5.3	50	±15
ESD5V3U4U-HDMI	7.5k*	SP000485506	ESD5V3U4UHDMIE6327XTSA1	TSLP-9-1	5.3	40	±20
ESD3V3U4ULC	7.5k*	SP000844018	ESD3V3U4ULCE6327XTSA1	TSLP-9-1	3.3	40	±20
ESD3V3XU1BL	15k*	SP000943406	ESD3V3XU1BLE6327XTSA1	TSLP-2-17	±3.6	50	±20
▼ ESD101-B1-02EL	15k*	SP001112354	ESD101B102ELE6327XTMA1	TSLP-2-20	±5.5	n.a.	±10
▼ ESD101-B1-02ELS	15k*	SP001050534	ESD101B102ELSE6327XTSA1	TSSLP-2-4	±5.5	n.a.	±10
ESD102-U1-02ELS	15k*	SP001055318	ESD102U102ELSE6327XTSA1	TSSLP-2-3	3.3	50	±20
▼ ESD102-U2-099EL	15k*	SP001037800	ESD102U2099ELE6327XTSA1	TSLP-4-10	3.3	50	±20
▼ ESD102-U4-05L	15k*	SP001050150	ESD102U405LE6327XTSA1	TSLP-5-2	3.3	60	±24
▼ ESD103-B1-02EL	15k*	SP001112358	ESD103B102ELE6327XTMA1	TSLP-2-20	±15	n.a.	±10
▼ ESD103-B1-02ELS	15k*	SP001077908	ESD103B102ELSE6327XTSA1	TSSLP-2-4	±15	n.a.	±10
▼ ESD105-B1-02EL	15k*	SP001165248	ESD105B102ELE6327XTMA1	TSLP-2-20	±5.5	50	±25
▼ ESD105-B1-02ELS	15k*	SP001133746	ESD105B102ELSE6327XTSA1	TSSLP-2-4	±5.5	50	±25
▼ ESD108-B1-CSP0201	15k*	SP001126862	ESD108B1CSP0201XTSA1	WLL-2-1	±5.5	40	±25
▼ ESD113-B1-02ELS	15k*	SP001061696	ESD113B102ELSE6327XTSA1	TSSLP-2-4	±3.6	50	±20
▼ BGF120A	4.5k*	SP000662368	BGF120AE6327XTSA1	TSLP-4-8	5.3	n.a.	±18

TVS Diodes for ESD/Transient Protection in Human Interface Devices (keypad, keyboard, touchpad, buttons, etc.)

Implementation of these devices in some other application categories is possible. Please consult your Infineon Sales contact.

ESD8V0L1B-02LRH	15k*	SP000235246	ESD8V0L1B02LRHE6327XTSA1	TSLP-2-1	-8/+14	40	±25
ESD8V0L1B-02LRH	50k*	SP000257037	ESD8V0L1B02LRHE6433XTMA1	TSLP-2-1	-8/+14	40	±25
ESD8V0L2B-03L	15k*	SP000055122	ESD8V0L2B03LE6327XTMA1	TSLP-3-7	-8/+14	40	±15
ESD5V3L1B-02LRH	15k*	SP000921756	ESD5V3L1B02LRHE6327XTSA1	TSLP-2-17	±5.3	40	±20
ESD5V3S1U-02LRH	15k*	SP000643196	ESD5V3S1U02LRHE6327XTSA1	TSLP-2-17	5.3	50	±25
ESD5V0S1U-03W	3k*	SP000205608	ESD5V0S1U03WE6327HTSA1	SOD323	5	80	±30
ESD5V0S2U-06	3k*	SP000205610	ESD5V0S2U06E6327HTSA1	SOT23	5	80	±30
ESD5V0S4US	3k*	SP000753522	ESD5V0S4USH6327XTSA1	SOT363	5	80	±30
ESD5V0S5US	3k*	SP000753524	ESD5V0S5USH6327XTSA1	SOT363	5	80	±30
ESD24VS2U	3k*	SP000316684	ESD24VS2UE6327HTSA1	SOT23	24	80	±30
ESD5V0L1B-02V	3k*	SP000872146	ESD5V0L1B02VH6327XTSA1	SC79	5	40	±25
ESD5V0S1U-02V	3k*	SP000860826	ESD5V0S1U02VH6327XTSA1	SC79	5	50	±20
ESD24VL1B-02LRH	15k*	SP000960726	ESD24VL1B02LRHE6327XTSA1	TSLP-2-17	±24	40	±20
ESD24VL1B-02LS	15k*	SP000943262	ESD24VL1B02LSE6327XTSA1	TSSLP-2-1	±24	40	±20

* order unit

SMD = Surface Mounted Device

RF & Protection Devices

Type	Ordering Code	Orderable Part Number	Package	Characteristics		
				V_{RWM} V	EFT IEC61000-4-4 A	V_{ESD} IEC61000-4-2 kV

ESD and EMI Protection Devices and Filters

TVS Diodes for ESD/Transient Protection in Human Interface Devices (keypad, keyboard, touchpad, buttons, etc.) (cont'd)

Implementation of these devices in some other application categories is possible. Please consult your Infineon Sales contact.

▼ ESD300-B1-02LRH	15k*	SP001090470	ESD300B102LRHE6327XTSA1	TSLP-2-21	±3.3	n.a.	±30
▼ ESD200-B1-CSP0201	15k*	SP000992756	ESD200B1CSP0201XTSA1	WLL-2-1	±5.5	n.a.	±16
▼ ESD203-B1-02EL	15k*	SP001112360	ESD203B102ELE6327XTMA1	TSLP-2-20	±12	50	±30
▼ ESD203-B1-02ELS	15k*	SP001117372	ESD203B102ELSE6327XTSA1	TSSLP-2-3	±12	50	±30
▼ ESD204-B1-02EL	15k*	SP001113390	ESD204B102ELE6327XTMA1	TSLP-2-20	-8/+14	40	±20
▼ ESD204-B1-02ELS	15k*	SP001061700	ESD204B102ELSE6327XTSA1	TSSLP-2-3	-8/+14	40	±20
ESD205-B1-02ELS	15k*	SP001014496	ESD205B102ELSE6327XTSA1	TSSLP-2-3	±5.5	40	±20
▼ ESD206-B1-02EL	15k*	SP001123720	ESD206B102ELE6327XTMA1	TSLP-2-20	±5.5	50	±30
▼ ESD206-B1-02ELS	15k*	SP001117378	ESD206B102ELSE6327XTSA1	TSSLP-2-3	±5.5	50	±30
▼ ESD206-B1-02V	15k*	SP001107442	ESD206B102VE6327XTSA1	SC79	±5.5	50	±30
▼ ESD207-B1-02EL	15k*	SP001112362	ESD207B102ELE6327XTMA1	TSLP-2-20	±3.3	40	±30
▼ ESD207-B1-02ELS	15k*	SP001109118	ESD207B102ELSE6327XTSA1	TSSLP-2-3	±3.3	40	±30
▼ ESD208-B1-02EL	15k*	SP001139550	ESD208B102ELE6327XTMA1	TSLP-2-20	±3.3	80	±30
▼ ESD208-B1-02ELS	15k*	SP001131980	ESD208B102ELSE6327XTSA1	TSSLP-2-3	±3.3	80	±30

TVS Diodes for ESD Surge Protection (Gigabit Ethernet)

Implementation of these devices in some other application categories is possible. Please consult your Infineon Sales contact.

■ ESD5V5S1B-02LRH	15k*	SP001024008	ESD5V5S1B02LRHE6327XTSA1	TSLP-2-17	5.5	12	±30
TVS3V3L4U	3k*	SP000942748	TVS3V3L4UE6327HTSA1	SC74	3.3	80	±30
▼ ESD300-B1-02LRH	15k*	SP001090470	ESD300B102LRHE6327XTSA1	TSLP-2-21	±3.3	n.a.	±30
ESD5V0S1U-03W	3k*	SP000205608	ESD5V0S1U03WE6327HTSA1	SOD323	5	80	±30
ESD5V0S2U-06	3k*	SP000205610	ESD5V0S2U06E6327HTSA1	SOT23	5	80	±30
ESD5V0S4US	3k*	SP000753522	ESD5V0S4USH6327XTSA1	SOT363	5	80	±30
ESD5V0S5US	3k*	SP000753524	ESD5V0S5USH6327XTSA1	SOT363	5	80	±30

TVS Diode for ESD/Transient Protection in Wireline Communication Applications (ADSL, VDSL)

DSL70	3k*	SP000362209	DSL70E6327HTSA1	SOT143	50	80	15
-------	-----	-------------	-----------------	--------	----	----	----

7-Line ESD and EMI Interface Protection Device

▼ BGF148	7.5k*	SP001033192	BGF148E6327XTSA1	TSNP-14-2	6.5	n.a.	±15
----------	-------	-------------	------------------	-----------	-----	------	-----

* order unit

SMD = Surface Mounted Device

General Purpose Diodes & Transistors

Schottky Diodes	189
Digital Transistors	191
General Purpose Transistors	194
General Purpose Diodes	200

Type	Ordering Code	Orderable Part Number	Package	Maximum Ratings		Characteristics ($T_A = 25^\circ\text{C}$)		
				V_R	I_F	V_F	at	I_F
				V	mA	V		mA

Schottky Diodes

Medium Power $I_{Fmax} \geq 500\text{mA}$

BAS3005A-02V	3k*	SP000749684	BAS3005A02VH6327XTSA1	SC79	30	500	0.370	200
BAS3005B-02V	3k*	SP000749682	BAS3005B02VH6327XTSA1	SC79	30	500	0.410	200
■ BAS3005S-02LRH	15k*	SP000472478	BAS3005S02LRHE6327XTSA1	TSLP-2-17	30	500	0.370	200
BAS3010A-03W	3k*	SP000068629	BAS3010A03WE6327HTSA1	SOD323	30	1000	0.350	500
BAS3010B-03W	3k*	SP000068630	BAS3010B03WE6327HTSA1	SOD323	30	1000	0.420	500
BAS3010S-02LRH	15k*	SP000472480	BAS3010S02LRHE6327XTSA1	TSLP-2-17	30	1000	0.500	700
BAS3020B	3k*	SP000749686	BAS3020BH6327XTSA1	SOT363	30	2000	0.410	1000
BAS4002S-02LRH	15k*	SP000472476	BAS4002S02LRHE6327XTSA1	TSLP-2-17	40	200	0.420	100
BAS52-02V	3k*	SP000749808	BAS5202VH6327XTSA1	SC79	45	750	0.430	100
BAS52-02V	10k*	SP000749810	BAS5202VH6433XTMA1	SC79	45	750	0.430	100
BAT165	3k*	SP000010277	BAT165E6327HTSA1	SOD323	40	750	0.350	100
BAT60A	3k*	SP000010294	BAT60AE6327HTSA1	SOD323	10	3000	0.300	1000
BAT60B	3k*	SP000010296	BAT60BE6327HTSA1	SOD323	10	3000	0.400	1000

High Speed Switching, Clipping and Clamping

BAS125-04W (Dual)	3k*	SP000749598	BAS12504WH6327XTSA1	SOT323	25	100	0.385	1
BAS125-05W (Dual)	3k*	SP000749600	BAS12505WH6327XTSA1	SOT323	25	100	0.385	1
BAS125-07W (Dual)	3k*	SP000749602	BAS12507WH6327XTSA1	SOT343	25	100	0.385	1
BAS140W	3k*	SP000010199	BAS140WE6327HTSA1	SOD323	40	120	0.310	1
BAS170W	3k*	SP000010216	BAS170WE6327HTSA1	SOD323	70	70	0.375	1
BAS40	3k*	SP000010235	BAS40E6327HTSA1	SOT23	40	120	0.310	1
BAS40	10k*	SP000010233	BAS40E6433HTMA1	SOT23	40	120	0.310	1
BAS40-02L	15k*	SP000013549	BAS4002LE6327XTMA1	TSLP-2-1	40	120	0.310	1
BAS40-04 (Dual)	3k*	SP000010241	BAS4004E6327HTSA1	SOT23	40	120	0.310	1
BAS40-04 (Dual)	10k*	SP000010243	BAS4004E6433HTMA1	SOT23	40	120	0.310	1
BAS40-05 (Dual)	3k*	SP000010240	BAS4005E6327HTSA1	SOT23	40	120	0.310	1
BAS40-05 (Dual)	10k*	SP000010242	BAS4005E6433HTMA1	SOT23	40	120	0.310	1
BAS40-05W (Dual)	3k*	SP000749762	BAS4005WH6327XTSA1	SOT323	40	120	0.310	1
BAS40-06 (Dual)	3k*	SP000010239	BAS4006E6327HTSA1	SOT23	40	120	0.310	1
BAS40-06 (Dual)	10k*	SP000010244	BAS4006E6433HTMA1	SOT23	40	120	0.310	1
BAS40-06W (Dual)	3k*	SP000749764	BAS4006WH6327XTSA1	SOT323	40	120	0.310	1
BAS40-07 (Dual)	3k*	SP000010245	BAS4007E6327HTSA1	SOT143	40	120	0.310	1
BAS40-07W (Dual)	3k*	SP000749806	BAS4007WH6327XTSA1	SOT343	40	120	0.310	1

* order unit

SMD = Surface Mounted Device

General Purpose Diodes & Transistors

Type	Ordering Code	Orderable Part Number	Package	Maximum Ratings		Characteristics ($T_A = 25^\circ\text{C}$)	
				V_R	I_F	V_F	at I_F
				V	mA	V	mA

Schottky Diodes

High Speed Switching, Clipping and Clamping (cont'd)

BAS70	3k*	SP000010247	BAS70E6327HTSA1	SOT23	70	70	0.375	1
BAS70	10k*	SP000010248	BAS70E6433HTMA1	SOT23	70	70	0.375	1
BAS70-02L	15k*	SP000013550	BAS7002LE6327XTMA1	TSLP-2-1	70	70	0.375	1
BAS70-02W (Dual)	3k*	SP000749812	BAS7002WH6327XTSA1	SCD80	70	70	0.375	1
BAS70-04 (Dual)	3k*	SP000010253	BAS7004E6327HTSA1	SOT23	70	70	0.375	1
BAS70-04 (Dual)	10k*	SP000010256	BAS7004E6433HTMA1	SOT23	70	70	0.375	1
BAS70-04S (Quad)	3k*	SP000749814	BAS7004SH6327XTSA1	SOT363	70	70	0.375	1
BAS70-04S (Quad)	3k*	SP000749818	BAS7004SH6827XTSA1	SOT363	70	70	0.375	1
BAS70-04W (Dual)	3k*	SP000749820	BAS7004WH6327XTSA1	SOT323	70	70	0.375	1
BAS70-05 (Dual)	3k*	SP000010252	BAS7005E6327HTSA1	SOT23	70	70	0.375	1
BAS70-05 (Dual)	10k*	SP000078827	BAS7005E6433HTMA1	SOT23	70	70	0.375	1
BAS70-05W (Dual)	3k*	SP000749822	BAS7005WH6327XTSA1	SOT323	70	70	0.375	1
BAS70-06 (Dual)	3k*	SP000010254	BAS7006E6327HTSA1	SOT23	70	70	0.375	1
BAS70-06 (Dual)	10k*	SP000010260	BAS7006E6433HTMA1	SOT23	70	70	0.375	1
BAS70-06W (Dual)	3k*	SP000749824	BAS7006WH6327XTSA1	SOT323	70	70	0.375	1
BAS70-07 (Dual)	3k*	SP000010266	BAS7007E6327HTSA1	SOT143	70	70	0.375	1
BAS70-07 (Dual)	10k*	SP000010269	BAS7007E6433HTMA1	SOT143	70	70	0.375	1
BAS70-07W (Dual)	3k*	SP000749826	BAS7007WH6327XTSA1	SOT343	70	70	0.375	1
BAT54	3k*	SP000068499	BAT54E6327HTSA1	SOT23	30	200	≤ 0.320	1
BAT54-02LRH	15k*	SP000234099	BAT5402LRHE6327XTSA1	TSLP-2-7	30	200	≤ 0.320	1
BAT54-02V	3k*	SP000749828	BAT5402VH6327XTSA1	SC79	30	200	≤ 0.320	1
BAT54-03W	3k*	SP000426668	BAT5403WE6327HTSA1	SOD323	30	200	≤ 0.320	1
BAT54-04 (Dual)	3k*	SP000068500	BAT5404E6327HTSA1	SOT23	30	200	≤ 0.320	1
BAT54-04W (Dual)	3k*	SP000749830	BAT5404WH6327XTSA1	SOT323	30	200	≤ 0.320	1
BAT54-05 (Dual)	3k*	SP000068509	BAT5405E6327HTSA1	SOT23	30	200	≤ 0.320	1
BAT54-05W (Dual)	3k*	SP000749832	BAT5405WH6327XTSA1	SOT323	30	200	≤ 0.320	1
BAT54-06 (Dual)	3k*	SP000068510	BAT5406E6327HTSA1	SOT23	30	200	≤ 0.320	1
BAT54-06W (Dual)	3k*	SP000749834	BAT5406WH6327XTSA1	SOT323	30	200	≤ 0.320	1
BAT54W (Dual)	3k*	SP000786162	BAT54WH6327XTSA1	SOT323	30	200	≤ 0.320	1
BAT64	3k*	SP000010307	BAT64E6327HTSA1	SOT23	40	250	0.320	1
BAT64-02W	3k*	SP000749836	BAT6402WH6327XTSA1	SCD80	40	250	0.320	1
BAT64-04 (Dual)	3k*	SP000010309	BAT6404E6327HTSA1	SOT23	40	250	0.320	1
BAT64-04 (Dual)	10k*	SP000010314	BAT6404E6433HTMA1	SOT23	40	250	0.320	1
BAT64-04W (Dual)	3k*	SP000749838	BAT6404WH6327XTSA1	SOT323	40	250	0.320	1
BAT64-05 (Dual)	3k*	SP000010310	BAT6405E6327HTSA1	SOT23	40	250	0.320	1
BAT64-05W (Dual)	3k*	SP000749840	BAT6405WH6327XTSA1	SOT323	40	250	0.320	1
BAT64-06 (Dual)	3k*	SP000010311	BAT6406E6327HTSA1	SOT23	40	250	0.320	1
BAT64-06W (Dual)	3k*	SP000749842	BAT6406WH6327XTSA1	SOT323	40	250	0.320	1
BAT240A (Dual)	3k*	SP000010292	BAT240AE6327HTSA1	SOT23	240	400	0.325	10
BAT240A (Dual)	10k*	SP000426394	BAT240AE6433HTMA1	SOT23	240	400	0.325	10

* order unit

SMD = Surface Mounted Device

General Purpose Diodes & Transistors

Type	Ordering Code	Orderable Part Number	Package	Maximum Ratings				Resistance Value	
				V_{CEO}	$V_{I(ON)max}$	I_C	P_{tot}	R_1	R_2
				V	V	mA	mW	k Ω	k Ω

Digital Transistors

Single $I_C \leq 100\text{mA}$

BCR108	3k*	SP000010736	BCR108E6327HTSA1	SOT23	50	10	100	200	2.2	47
BCR108	10k*	SP000010737	BCR108E6433HTMA1	SOT23	50	10	100	200	2.2	47
BCR108W	3k*	SP000750780	BCR108WH6327XTSA1	SOT323	50	10	100	250	2.2	47
BCR108W	10k*	SP000757882	BCR108WH6433XTMA1	SOT323	50	10	100	250	2.2	47
BCR112	3k*	SP000010747	BCR112E6327HTSA1	SOT23	50	15	100	200	4.7	4.7
BCR112W	3k*	SP000750790	BCR112WH6327XTSA1	SOT323	50	15	100	250	4.7	4.7
BCR116	3k*	SP000010749	BCR116E6327HTSA1	SOT23	50	15	100	200	4.7	47
BCR116	10k*	SP000010751	BCR116E6433HTMA1	SOT23	50	15	100	200	4.7	47
BCR116W	3k*	SP000754072	BCR116WH6327XTSA1	SOT323	50	15	100	250	4.7	47
BCR119	3k*	SP000010752	BCR119E6327HTSA1	SOT23	50	15	100	200	4.7	–
BCR119W	3k*	SP000755044	BCR119WH6327XTSA1	SOT323	50	15	100	250	4.7	–
BCR129	3k*	SP000012520	BCR129E6327HTSA1	SOT23	50	20	100	200	10	–
BCR129W	3k*	SP000755048	BCR129WH6327XTSA1	SOT323	50	20	100	250	10	–
BCR133	3k*	SP000010757	BCR133E6327HTSA1	SOT23	50	20	100	200	10	10
BCR133	10k*	SP000010759	BCR133E6433HTMA1	SOT23	50	20	100	200	10	10
BCR133W	3k*	SP000756246	BCR133WH6327XTSA1	SOT323	50	20	100	250	10	10
BCR135	3k*	SP000010765	BCR135E6327HTSA1	SOT23	50	20	100	200	10	47
BCR135	10k*	SP000010767	BCR135E6433HTMA1	SOT23	50	20	100	200	10	47
BCR135W	3k*	SP000756252	BCR135WH6327XTSA1	SOT323	50	20	100	250	10	47
BCR141	3k*	SP000010769	BCR141E6327HTSA1	SOT23	50	30	100	200	22	22
BCR141	10k*	SP000010771	BCR141E6433HTMA1	SOT23	50	30	100	200	22	22
BCR141W	3k*	SP000756258	BCR141WH6327XTSA1	SOT323	50	30	100	250	22	22
BCR142	3k*	SP000010775	BCR142E6327HTSA1	SOT23	50	30	100	200	22	47
BCR142W	3k*	SP000756260	BCR142WH6327XTSA1	SOT323	50	30	100	250	22	47
BCR146	3k*	SP000010777	BCR146E6327HTSA1	SOT23	50	50	70	200	47	22
BCR148	3k*	SP000010780	BCR148E6327HTSA1	SOT23	50	50	70	200	47	47
BCR148	10k*	SP000426390	BCR148E6433HTMA1	SOT23	50	50	70	200	47	47
BCR148W	3k*	SP000756268	BCR148WH6327XTSA1	SOT323	50	50	70	250	47	47
BCR158	3k*	SP000010784	BCR158E6327HTSA1	SOT23	50	10	100	200	2.2	47
BCR158W	3k*	SP000750762	BCR158WH6327XTSA1	SOT323	50	10	100	250	2.2	47
BCR162	3k*	SP000010785	BCR162E6327HTSA1	SOT23	50	15	100	200	4.7	4.7
BCR166	3k*	SP000010788	BCR166E6327HTSA1	SOT23	50	15	100	200	4.7	47
BCR166	10k*	SP000010791	BCR166E6433HTMA1	SOT23	50	15	100	200	4.7	47
BCR166W	3k*	SP000750764	BCR166WH6327XTSA1	SOT323	50	15	100	250	4.7	47
BCR169	3k*	SP000010793	BCR169E6327HTSA1	SOT23	50	15	100	200	4.7	–
BCR169W	3k*	SP000756844	BCR169WH6327XTSA1	SOT323	50	15	100	250	4.7	–
BCR183	3k*	SP000010794	BCR183E6327HTSA1	SOT23	50	20	100	200	10	10
BCR183	10k*	SP000010796	BCR183E6433HTMA1	SOT23	50	20	100	200	10	10
BCR183W	3k*	SP000757002	BCR183WH6327XTSA1	SOT323	50	20	100	250	10	10
BCR185	3k*	SP000010806	BCR185E6327HTSA1	SOT23	50	20	100	200	10	47
BCR185	10k*	SP000010807	BCR185E6433HTMA1	SOT23	50	20	100	200	10	47
BCR185W	3k*	SP000757894	BCR185WH6327XTSA1	SOT323	50	20	100	250	10	47
BCR191	3k*	SP000010810	BCR191E6327HTSA1	SOT23	50	30	100	200	22	22
BCR191W	3k*	SP000757896	BCR191WH6327XTSA1	SOT323	50	30	100	250	22	22

* order unit

SMD = Surface Mounted Device



General Purpose Diodes & Transistors

Type	Ordering Code	Orderable Part Number	Package	Maximum Ratings				Resistance Value	
				V_{CEO}	$V_{I(on)max}$	I_C	P_{tot}	R_1	R_2
				V	V	mA	mW	k Ω	k Ω

Digital Transistors

Single $I_C \leq 100\text{mA}$ (cont'd)

BCR192	3k*	SP000010812	BCR192E6327HTSA1	SOT23	50	30	100	200	22	47
BCR192W	3k*	SP000757898	BCR192WH6327XTSA1	SOT323	50	30	100	250	22	47
BCR196	3k*	SP000014762	BCR196E6327HTSA1	SOT23	50	50	70	250	47	22
BCR196W	3k*	SP000757902	BCR196WH6327XTSA1	SOT323	50	50	70	250	47	22
BCR198	3k*	SP000010817	BCR198E6327HTSA1	SOT23	50	50	70	200	47	47
BCR198	10k*	SP000010820	BCR198E6433HTMA1	SOT23	50	50	70	200	47	47
BCR198W	3k*	SP000757912	BCR198WH6327XTSA1	SOT323	50	50	70	250	47	47

Dual $I_C \leq 100\text{mA}$

BCR108S	3k*	SP000750774	BCR108SH6327XTSA1	SOT363	50	10	100	250	2.2	47
BCR116S	3k*	SP000752050	BCR116SH6327XTSA1	SOT363	50	15	100	250	4.7	47
BCR119S	3k*	SP000754074	BCR119SH6327XTSA1	SOT363	50	15	100	250	4.7	–
BCR119S	10k*	SP000755042	BCR119SH6433XTMA1	SOT363	50	15	100	250	4.7	–
BCR129S	3k*	SP000755046	BCR129SH6327XTSA1	SOT363	50	20	100	250	10	–
BCR133S	3k*	SP000755050	BCR133SH6327XTSA1	SOT363	50	20	100	250	10	10
BCR133S	10k*	SP000755082	BCR133SH6433XTMA1	SOT363	50	20	100	250	10	10
BCR135S	3k*	SP000756248	BCR135SH6327XTSA1	SOT363	50	20	100	250	10	47
BCR141S	3k*	SP000756256	BCR141SH6327XTSA1	SOT363	50	30	100	250	22	22
BCR148S	3k*	SP000756262	BCR148SH6327XTSA1	SOT363	50	50	70	250	47	47
BCR148S	10k*	SP000756264	BCR148SH6433XTMA1	SOT363	50	50	70	250	47	47
BCR169S	3k*	SP000756842	BCR169SH6327XTSA1	SOT363	50	15	100	250	4.7	–
BCR183S	3k*	SP000756882	BCR183SH6327XTSA1	SOT363	50	20	100	250	10	10
▼ BCR183S	10k*	SP000756886	BCR183SH6433XTMA1	SOT363	50	20	100	250	10	10
BCR183U	3k*	SP000012552	BCR183UE6327HTSA1	SC74	50	20	100	250	10	10
BCR185S	3k*	SP000757888	BCR185SH6327XTSA1	SOT363	50	20	100	250	10	47
BCR198S	3k*	SP000757904	BCR198SH6327XTSA1	SOT363	50	50	70	250	47	47
BCR08PN	3k*	SP000750766	BCR08PNH6327XTSA1	SOT363	50	50	100	250	2.2	47
BCR08PN	3k*	SP000750772	BCR08PNH6727XTSA1	SOT363	50	50	100	250	2.2	47
BCR08PN	10k*	SP000750770	BCR08PNH6433XTMA1	SOT363	50	50	100	250	2.2	47
BCR10PN	3k*	SP000750782	BCR10PNH6327XTSA1	SOT363	50	25	100	250	10	10
BCR10PN	3k*	SP000750786	BCR10PNH6727XTSA1	SOT363	50	25	100	250	10	10
BCR10PN	10k*	SP000750788	BCR10PNH6730XTMA1	SOT363	50	25	100	250	10	10
BCR22PN	3k*	SP000757916	BCR22PNH6327XTSA1	SOT363	50	30	100	250	22	22
BCR22PN	10k*	SP000757920	BCR22PNH6433XTMA1	SOT363	50	30	100	250	22	22
BCR35PN	3k*	SP000757922	BCR35PNH6327XTSA1	SOT363	50	20	100	250	10	47
BCR35PN	10k*	SP000757928	BCR35PNH6433XTMA1	SOT363	50	20	100	250	10	47
BCR48PN	3k*	SP000757930	BCR48PNH6327XTSA1	SOT363	50	50/10	100	250	47/2.2	47/47
BCR48PN	10k*	SP000757932	BCR48PNH6433XTMA1	SOT363	50	50/10	100	250	47/2.2	47/47

* order unit

SMD = Surface Mounted Device

General Purpose Diodes & Transistors

Type	Ordering Code	Orderable Part Number	Package	Maximum Ratings				Resistance Value	
				V_{CEO}	$V_{I(ON)max}$	I_C	P_{tot}	R_1	R_2
				V	V	mA	mW	k Ω	k Ω

Digital Transistors

Single $I_C \leq 500mA$

BCR503	3k*	SP000010839	BCR503E6327HTSA1	SOT23	50	12	500	330	2.2	2.2
BCR505	3k*	SP000010841	BCR505E6327HTSA1	SOT23	50	12	500	330	2.2	10
BCR512	3k*	SP000010844	BCR512E6327HTSA1	SOT23	50	30	500	330	4.7	4.7
BCR521	3k*	SP000010845	BCR521E6327HTSA1	SOT23	50	10	500	330	1.0	1.0
BCR523	3k*	SP000010851	BCR523E6327HTSA1	SOT23	50	12	500	330	1.0	10
BCR523	10k*	SP000010852	BCR523E6433HTMA1	SOT23	50	12	500	330	1.0	10
BCR533	3k*	SP000010853	BCR533E6327HTSA1	SOT23	50	40	500	330	10	10
BCR553	3k*	SP000010854	BCR553E6327HTSA1	SOT23	50	12	500	330	2.2	2.2
BCR555	3k*	SP000010855	BCR555E6327HTSA1	SOT23	50	10	500	330	2.2	10
BCR555	10k*	SP000010857	BCR555E6433HTMA1	SOT23	50	10	500	330	2.2	10
BCR562	3k*	SP000010859	BCR562E6327HTSA1	SOT23	50	30	500	330	4.7	4.7
BCR573	3k*	SP000010861	BCR573E6327HTSA1	SOT23	50	12	500	330	1	10
BCR573	10k*	SP000010860	BCR573E6433HTMA1	SOT23	50	12	500	330	1	10
BCR583	3k*	SP000012278	BCR583E6327HTSA1	SOT23	50	20	500	330	10	10

Dual $I_C \leq 500mA$

BCR523U	3k*	SP000013381	BCR523UE6327HTSA1	SC74	50	12	500	330	1.0	10
BCR523U	10k*	SP000662374	BCR523UE6433HTMA1	SC74	50	12	500	330	1.0	10

* order unit

SMD = Surface Mounted Device

General Purpose Diodes & Transistors

Type	Ordering Code	Orderable Part Number	Package	Maximum Ratings		Characteristics ($T_A = 25^\circ\text{C}$)			
				V_{CEO}	I_{CM}	h_{FE}	at	I_{C}	V_{CE}
				V	mA			mA	V

General Purpose Transistors

Single $I_{\text{C}} \leq 100\text{mA}$

BC847A	3k*	SP000010571	BC847AE6327HTSA1	SOT23	45	200	110 ... 220	2	5
BC847B	3k*	SP000010559	BC847BE6327HTSA1	SOT23	45	200	200 ... 450	2	5
BC847B	10k*	SP000010576	BC847BE6433HTMA1	SOT23	45	200	200 ... 450	2	5
BC847BL3	15k*	SP000013553	BC847BL3E6327XTMA1	TSLP-3-1	45	200	200 ... 450	2	5
BC847BW	3k*	SP000746930	BC847BWH6327XTSA1	SOT323	45	200	200 ... 450	2	5
BC847BW	10k*	SP000746932	BC847BWH6433XTMA1	SOT323	45	200	200 ... 450	2	5
BC847C	3k*	SP000010565	BC847CE6327HTSA1	SOT23	45	200	420 ... 800	2	5
BC847C	10k*	SP000010590	BC847CE6433HTMA1	SOT23	45	200	420 ... 800	2	5
BC847CW	3k*	SP000746934	BC847CWH6327XTSA1	SOT323	45	200	420 ... 800	2	5
BC847CW	3k*	SP000747286	BC847CWH6778XTSA1	SOT323	45	200	420 ... 800	2	5
BC847CW	10k*	SP000747284	BC847CWH6433XTMA1	SOT323	45	200	420 ... 800	2	5
BC848A	3k*	SP000010568	BC848AE6327HTSA1	SOT23	30	200	110 ... 220	2	5
BC848B	3k*	SP000010561	BC848BE6327HTSA1	SOT23	30	200	200 ... 450	2	5
BC848B	10k*	SP000010581	BC848BE6433HTMA1	SOT23	30	200	200 ... 450	2	5
BC848BL3	15k*	SP000013554	BC848BL3E6327XTMA1	TSLP-3-1	30	200	200 ... 450	2	5
BC848BW	3k*	SP000747410	BC848BWH6327XTSA1	SOT323	30	200	200 ... 450	2	5
BC848C	3k*	SP000010552	BC848CE6327HTSA1	SOT23	30	200	420 ... 800	2	5
BC848C	10k*	SP000010582	BC848CE6433HTMA1	SOT23	30	200	420 ... 800	2	5
BC848CW	3k*	SP000747412	BC848CWH6327XTSA1	SOT323	30	200	420 ... 800	2	5
BC849B	3k*	SP000010567	BC849BE6327HTSA1	SOT23	30	200	200 ... 450	2	5
BC849C	3k*	SP000010564	BC849CE6327HTSA1	SOT23	30	200	420 ... 800	2	5
BC849CW	3k*	SP000747414	BC849CWH6327XTSA1	SOT323	30	200	420 ... 800	2	5
BC850B	3k*	SP000010572	BC850BE6327HTSA1	SOT23	45	200	200 ... 450	2	5
BC850BW	3k*	SP000747416	BC850BWH6327XTSA1	SOT323	45	200	200 ... 450	2	5
BC850C	3k*	SP000010563	BC850CE6327HTSA1	SOT23	45	200	420 ... 800	2	5
BC850CW	3k*	SP000747418	BC850CWH6327XTSA1	SOT323	45	200	420 ... 800	2	5
BC857A	3k*	SP000010639	BC857AE6327HTSA1	SOT23	45	200	125 ... 250	2	5
BC857B	3k*	SP000010633	BC857BE6327HTSA1	SOT23	45	200	220 ... 475	2	5
BC857B	10k*	SP000010648	BC857BE6433HTMA1	SOT23	45	200	220 ... 475	2	5
BC857BL3	3k*	SP000013556	BC857BL3E6327XTMA1	TSLP-3-1	45	200	220 ... 475	2	5
BC857BW	3k*	SP000747448	BC857BWH6327XTSA1	SOT323	45	200	220 ... 475	2	5
BC857BW	3k*	SP000747450	BC857BWH6778XTSA1	SOT323	45	200	220 ... 475	2	5
BC857C	3k*	SP000010640	BC857CE6327HTSA1	SOT23	45	200	420 ... 800	2	5
BC857C	10k*	SP000010660	BC857CE6433HTMA1	SOT23	45	200	420 ... 800	2	5
BC857CW	3k	SP000747452	BC857CWH6327XTSA1	SOT323	45	200	420 ... 800	2	5
BC857CW	10k*	SP000747454	BC857CWH6433XTMA1	SOT323	45	200	420 ... 800	2	5
BC858A	3k*	SP000010636	BC858AE6327HTSA1	SOT23	30	200	125 ... 250	2	5
BC858B	3k	SP000010634	BC858BE6327HTSA1	SOT23	30	200	220 ... 475	2	5
BC858B	10k*	SP000010652	BC858BE6433HTMA1	SOT23	30	200	220 ... 475	2	5
BC858BW	3k	SP000747582	BC858BWH6327XTSA1	SOT323	30	200	220 ... 475	2	5
BC858C	3k	SP000010624	BC858CE6327HTSA1	SOT23	30	200	420 ... 800	2	5
BC858C	10k*	SP000010654	BC858CE6433HTMA1	SOT23	30	200	420 ... 800	2	5
BC858CW	3k	SP000747584	BC858CWH6327XTSA1	SOT323	30	200	420 ... 800	2	5
BC859C	3k	SP000010637	BC859CE6327HTSA1	SOT23	30	200	420 ... 800	2	5

* order unit

SMD = Surface Mounted Device

General Purpose Diodes & Transistors

Type	Ordering Code	Orderable Part Number	Package	Maximum Ratings		Characteristics ($T_A = 25^\circ\text{C}$)			
				V_{CEO}	I_{CM}	h_{FE}	at	I_{C}	V_{CE}
				V	mA			mA	V

General Purpose Transistors

Single $I_{\text{C}} \leq 100\text{mA}$ (cont'd)

BCW60B	3k*	SP000010551	BCW60BE6327HTSA1	SOT23	32	200	180 ... 310	2	5
BCW60C	3k*	SP000010548	BCW60CE6327HTSA1	SOT23	32	200	250 ... 460	2	5
BCW60D	3k*	SP000010549	BCW60DE6327HTSA1	SOT23	32	200	380 ... 630	2	5
BCW61A	3k*	SP000010621	BCW61AE6327HTSA1	SOT23	32	200	120 ... 220	2	5
BCW61B	3k*	SP000010629	BCW61BE6327HTSA1	SOT23	32	200	180 ... 310	2	5
BCW61C	3k*	SP000010622	BCW61CE6327HTSA1	SOT23	32	200	250 ... 460	2	5
BCW61D	3k*	SP000010627	BCW61DE6327HTSA1	SOT23	32	200	380 ... 630	2	5
BCX70G	3k*	SP000010555	BCX70GE6327HTSA1	SOT23	45	200	120 ... 220	2	5
BCX70H	3k*	SP000010550	BCX70HE6327HTSA1	SOT23	45	200	180 ... 310	2	5
BCX70H	10k*	SP000010578	BCX70HE6433HTMA1	SOT23	45	200	180 ... 310	2	5
BCX70J	3k*	SP000010556	BCX70JE6327HTSA1	SOT23	45	200	250 ... 460	2	5
BCX70J	10k*	SP000010573	BCX70JE6433HTMA1	SOT23	45	200	250 ... 460	2	5
BCX70K	3k*	SP000010558	BCX70KE6327HTSA1	SOT23	45	200	380 ... 630	2	5
BCX71G	3k*	SP000010623	BCX71GE6327HTSA1	SOT23	45	200	120 ... 220	2	5
BCX71H	3k*	SP000010631	BCX71HE6327HTSA1	SOT23	45	200	180 ... 310	2	5
BCX71J	3k*	SP000010625	BCX71JE6327HTSA1	SOT23	45	200	250 ... 460	2	5
BCX71J	10k*	SP000010647	BCX71JE6433HTMA1	SOT23	45	200	250 ... 460	2	5
BCX71K	3k*	SP000010632	BCX71KE6327HTSA1	SOT23	45	200	380 ... 630	2	5

Dual $I_{\text{C}} \leq 100\text{mA}$

BC846PN	3k*	SP000746856	BC846PNH6327XTSA1	SOT363	65	200	200 ... 450	2	5
BC846S	3k*	SP000746922	BC846SH6327XTSA1	SOT363	65	200	200 ... 450	2	5
BC846S	3k*	SP000746928	BC846SH6727XTSA1	SOT363	65	200	200 ... 450	2	5
BC846S	10k*	SP000746926	BC846SH6433XTMA1	SOT363	65	200	200 ... 450	2	5
BC846U	3k*	SP000012619	BC846UE6327HTSA1	SC74	65	100	200 ... 450	2	5
BC846UPN	3k*	SP000012621	BC846UPNE6327HTSA1	SC74	65	200	200 ... 450	2	5
BC847PN	3k*	SP000747288	BC847PNH6327XTSA1	SOT363	45	200	110 ... 630	2	5
BC847PN	3k*	SP000747296	BC847PNH6727XTSA1	SOT363	45	200	110 ... 630	2	5
BC847PN	10k*	SP000747292	BC847PNH6433XTMA1	SOT363	45	200	110 ... 630	2	5
BC847S	3k*	SP000747298	BC847SH6327XTSA1	SOT363	45	200	110 ... 630	2	5
BC847S	3k*	SP000747406	BC847SH6727XTSA1	SOT363	45	200	110 ... 630	2	5
BC847S	10k*	SP000747404	BC847SH6433XTMA1	SOT363	45	200	110 ... 630	2	5
BC856S	3k*	SP000747446	BC856SH6327XTSA1	SOT363	65	200	200 ... 475	2	5
BC856U	3k*	SP000012620	BC856UE6327HTSA1	SC74	65	100	200 ... 650	2	5
BC857S	3k*	SP000747456	BC857SH6327XTSA1	SOT363	45	200	200 ... 630	2	5
BC857S	3k*	SP000747580	BC857SH6827XTSA1	SOT363	45	200	200 ... 630	2	5
BC857S	10k*	SP000747576	BC857SH6433XTMA1	SOT363	45	200	200 ... 630	2	5

* order unit

SMD = Surface Mounted Device

General Purpose Diodes & Transistors

Type	Ordering Code	Orderable Part Number	Package	Maximum Ratings		Characteristics ($T_A = 25^\circ\text{C}$)			
				V_{CEO}	I_{CM}	h_{FE}	at	I_{C}	V_{CE}
				V	mA			mA	V

General Purpose Transistors

Single $I_{\text{C}} \geq 500\text{mA}$

BC817K-16	3k*	SP000271788	BC817K16E6327HTSA1	SOT23	45	1000	100 ... 250	100	1
BC817K-16	10k*	SP000271829	BC817K16E6433HTMA1	SOT23	45	1000	100 ... 250	100	1
BC817K-16W	3k*	SP000786164	BC817K16WH6327XTSA1	SOT323	45	1000	100 ... 250	100	1
BC817K-25	3k*	SP000271875	BC817K25E6327HTSA1	SOT23	45	1000	160 ... 400	100	1
BC817K-25	10k*	SP000271879	BC817K25E6433HTMA1	SOT23	45	1000	160 ... 400	100	1
BC817K-25W	3k*	SP000746848	BC817K25WH6327XTSA1	SOT323	45	1000	160 ... 400	100	1
BC817K-25W	10k*	SP000786166	BC817K25WH6433XTMA1	SOT323	45	1000	160 ... 400	100	1
BC817K-40	3k*	SP000271895	BC817K40E6327HTSA1	SOT23	45	1000	250 ... 630	100	1
BC817K-40	10k*	SP000271898	BC817K40E6433HTMA1	SOT23	45	1000	250 ... 630	100	1
BC817K-40W	3k*	SP000746850	BC817K40WH6327XTSA1	SOT323	45	1000	250 ... 630	100	1
BC817SU	3k*	SP000296413	BC817SUE6327HTSA1	SC74	45	1000	160 ... 400	100	1
BC818K-16W	3k*	SP000746852	BC818K16WH6327XTSA1	SOT323	25	1000	100 ... 250	100	1
BC818K-40	3k*	SP000271908	BC818K40E6327HTSA1	SOT23	25	1000	250 ... 630	100	1
BCW66KF	3k*	SP000271902	BCW66KFE6327HTSA1	SOT23	45	1000	100 ... 250	100	1
BCW66KG	3k*	SP000271904	BCW66KGE6327HTSA1	SOT23	45	1000	160 ... 400	100	1
BCW66KH	3k*	SP000271906	BCW66KHE6327HTSA1	SOT23	45	1000	250 ... 630	100	1
BCW66KH	10x3k*	SP000271905	BCW66KHB6327HTLA1	SOT23	45	1000	250 ... 630	100	1
BCW67B	3k*	SP000015035	BCW67BE6327HTSA1	SOT23	32	1000	160 ... 400	100	1
BCW67C	3k*	SP000015037	BCW67CE6327HTSA1	SOT23	32	1000	250 ... 630	100	1
BCW68F	3k*	SP000015041	BCW68FE6327HTSA1	SOT23	45	1000	100 ... 250	100	1
BCW68G	3k*	SP000015039	BCW68GE6327HTSA1	SOT23	45	1000	160 ... 400	100	1
BCW68H	3k*	SP000015040	BCW68HE6327HTSA1	SOT23	45	1000	250 ... 630	100	1
SMBTA06	3k*	SP000011686	SMBTA06E6327HTSA1	SOT23	80	500	≥ 100	100	1
SMBTA06	10k*	SP000011688	SMBTA06E6433HTMA1	SOT23	80	500	≥ 100	100	1
SMBTA56	3k*	SP000011692	SMBTA56E6327HTSA1	SOT23	80	500	≥ 100	100	1
SMBTA56	10k*	SP000011695	SMBTA56E6433HTMA1	SOT23	80	500	≥ 100	100	1

Dual $I_{\text{C}} \leq 500\text{mA}$

BC807U	3k*	SP000012395	BC807UE6327HTSA1	SC74	45	500	160 ... 400	100	1
BC817U	3k*	SP000012394	BC817UE6327HTSA1	SC74	45	1000	160 ... 400	100	1
BC817UPN	3k*	SP000012398	BC817UPNE6327HTSA1	SC74	45	1000	160 ... 400	100	1
SMBTA06UPN	3k*	SP000012393	SMBTA06UPNE6327HTSA1	SC74	80	500	≥ 100	100	1

* order unit

SMD = Surface Mounted Device

General Purpose Diodes & Transistors

Type	Ordering Code	Orderable Part Number	Package	Maximum Ratings		Characteristics ($T_A = 25^\circ\text{C}$)			
				V_{CEO}	I_{CM}	h_{FE}	at	I_{C}	V_{CE}
				V	mA			mA	V

General Purpose Transistors

Single $I_{\text{C}} \geq 500\text{mA}$

BDP947	1k*	SP000010931	BDP947E6327HTSA1	SOT223	45	5000	40 ... 475	500	1
BDP948	1k*	SP000010938	BDP948E6327HTSA1	SOT223	45	5000	40 ... 475	500	1
BDP948	4k*	SP000010943	BDP948E6433HTMA1	SOT223	45	5000	40 ... 475	500	1
BDP949	1k*	SP000010932	BDP949E6327HTSA1	SOT223	60	5000	40 ... 475	500	1
BDP950	1k*	SP000010939	BDP950E6327HTSA1	SOT223	60	5000	40 ... 475	500	1
BDP953	1k*	SP000010934	BDP953E6327HTSA1	SOT223	100	5000	40 ... 475	500	1
BDP954	1k*	SP000010941	BDP954E6327HTSA1	SOT223	100	5000	40 ... 475	500	1
BCP51	1k*	SP000010692	BCP51E6327HTSA1	SOT223	45	1500	40 ... 250	150	2
BCP51-16	1k*	SP000010694	BCP5116E6327HTSA1	SOT223	45	1500	100 ... 250	150	2
BCP51-16	4k*	SP000010703	BCP5116E6433HTMA1	SOT223	45	1500	100 ... 250	150	2
BCP52-16	1k*	SP000010696	BCP5216E6327HTSA1	SOT223	60	1500	100 ... 250	150	2
BCP53-10	1k*	SP000010697	BCP5310E6327HTSA1	SOT223	100	1500	63 ... 160	150	2
BCP53-16	1k*	SP000010698	BCP5316E6327HTSA1	SOT223	100	1500	100 ... 250	150	2
BCP53-16	4k*	SP000010702	BCP5316E6433HTMA1	SOT223	100	1500	100 ... 250	150	2
BCP54	1k*	SP000010707	BCP54E6327HTSA1	SOT223	45	1500	40 ... 250	150	2
BCP54-16	1k*	SP000010709	BCP5416E6327HTSA1	SOT223	45	1500	100 ... 250	150	2
BCP54-16	4k*	SP000010717	BCP5416E6433HTMA1	SOT223	45	1500	100 ... 250	150	2
BCP55	1k*	SP000010713	BCP55E6327HTSA1	SOT223	60	1500	40 ... 250	150	2
BCP55-16	1k*	SP000010711	BCP5516E6327HTSA1	SOT223	60	1500	100 ... 250	150	2
BCP56-10	1k*	SP000010712	BCP5610E6327HTSA1	SOT223	80	1500	63 ... 160	150	2
BCP56-16	1k*	SP000010706	BCP5616E6327HTSA1	SOT223	80	1500	100 ... 250	150	2
BCP69-25	1k*	SP000015154	BCP6925E6327HTSA1	SOT223	20	2000	160 ... 375	150	2
BCX51	1k*	SP000014826	BCX51E6327HTSA1	SOT89	45	1500	40 ... 250	150	2
BCX51-16	1k*	SP000014827	BCX5116E6327HTSA1	SOT89	45	1500	100 ... 250	150	2
▼ BCX51-16	4k*	SP000913728	BCX5116E6433HTMA1	SOT89	45	1500	100 ... 250	150	2
BCX52	1k*	SP000014828	BCX52E6327HTSA1	SOT89	60	1500	40 ... 250	150	2
BCX52-16	1k*	SP000014830	BCX5216E6327HTSA1	SOT89	60	1500	100 ... 250	150	2
BCX52-16	4k*	SP000463248	BCX5216E6433HTMA1	SOT89	60	1500	100 ... 250	150	2
BCX53	1k*	SP000010906	BCX53E6327HTSA1	SOT89	80	1500	40 ... 250	150	2
BCX53-10	1k*	SP000010908	BCX5310E6327HTSA1	SOT89	80	1500	63 ... 160	150	2
BCX53-16	1k*	SP000010907	BCX5316E6327HTSA1	SOT89	80	1500	100 ... 250	150	2
BCX53-16	4k*	SP000010909	BCX5316E6433HTMA1	SOT89	80	1500	100 ... 250	150	2
BCX54-16	1k*	SP000010918	BCX5416E6327HTSA1	SOT89	45	1500	100 ... 250	150	2
BCX55	1k*	SP000010916	BCX55E6327HTSA1	SOT89	60	1500	40 ... 250	150	2
BCX55-16	1k*	SP000010920	BCX5516E6327HTSA1	SOT89	60	1500	100 ... 250	150	2
BCX55-16	4k*	SP000010922	BCX5516E6433HTMA1	SOT89	60	1500	100 ... 250	150	2
BCX56	1k*	SP000010914	BCX56E6327HTSA1	SOT89	80	1500	40 ... 250	150	2
BCX56-10	1k*	SP000010915	BCX5610E6327HTSA1	SOT89	80	1500	63 ... 160	150	2
BCX56-16	1k*	SP000010913	BCX5616E6327HTSA1	SOT89	80	1500	100 ... 250	150	2
BCX56-16	4k*	SP000017942	BCX5616E6433HTMA1	SOT89	80	1500	100 ... 250	150	2
BCX68-10	1k*	SP000010924	BCX6810E6327HTSA1	SOT89	20	2000	85 ... 160	500	1
BCX68-16	1k*	SP000010925	BCX6816E6327HTSA1	SOT89	20	2000	100 ... 250	150	2
BCX68-25	1k*	SP000010926	BCX6825E6327HTSA1	SOT89	20	2000	160 ... 375	500	1
BCX69-10	1k*	SP000010928	BCX6910E6327HTSA1	SOT89	20	2000	85 ... 160	500	1
BCX69-16	1k*	SP000010929	BCX6916E6327HTSA1	SOT89	20	2000	100 ... 250	500	1
BCX69-25	1k*	SP000010930	BCX6925E6327HTSA1	SOT89	20	2000	160 ... 375	500	1

* order unit

SMD = Surface Mounted Device

General Purpose Diodes & Transistors

Type	Ordering Code	Orderable Part Number	Package	Maximum Ratings		Characteristics ($T_A = 25^\circ\text{C}$)			
				V_{CEO}	I_{CM}	h_{FE}	at	I_{C}	V_{CE}
				V	mA			mA	V

General Purpose Transistors

Dual Transistors for Current Mirror Applications

BCV61B	3k*	SP000010886	BCV61BE6327HTSA1	SOT143	30	200	200 ... 450	100	5
BCV61B	10k*	SP000010888	BCV61BE6433HTMA1	SOT143	30	200	200 ... 450	100	5
BCV61C	3k*	SP000010887	BCV61CE6327HTSA1	SOT143	30	200	420 ... 800	100	5
BCV62A	3k*	SP000010889	BCV62AE6327HTSA1	SOT143	30	200	125 ... 220	100	5
BCV62B	3k*	SP000010890	BCV62BE6327HTSA1	SOT143	30	200	220 ... 475	100	5
BCV62B	10k*	SP000010893	BCV62BE6433HTMA1	SOT143	30	200	220 ... 475	100	5
BCV62C	3k*	SP000010891	BCV62CE6327HTSA1	SOT143	30	200	420 ... 800	100	5

Precision Matched Dual Transistors ($I_{\text{C}} \leq 10\%$)

BCM846S	3k*	SP000747590	BCM846SH6327XTSA1	SOT363	65	200	200 ... 650	2	5
BCM856S	3k*	SP000747592	BCM856SH6327XTSA1	SOT363	65	200	200 ... 450	2	5
BCM856S	3k*	SP000747596	BCM856SH6778XTSA1	SOT363	65	200	200 ... 450	2	5
BCM856S	10k*	SP000747594	BCM856SH6433XTMA1	SOT363	65	200	200 ... 450	2	5

Low Noise Transistors (Noise Figure \leq a dB @ 1kHz)

BCW60FF	3k*	SP000010554	BCW60FFE6327HTSA1	SOT23	32	200	250 ... 460	2	5
BC860B	3k*	SP000010642	BC860BE6327HTSA1	SOT23	45	200	220 ... 475	2	5
BC860BW	3k*	SP000747586	BC860BWH6327XTSA1	SOT323	45	200	220 ... 475	2	5
BC860CW	3k*	SP000747588	BC860CWH6327XTSA1	SOT323	45	200	420 ... 800	2	5

Fast Switching Transistors (Storage Time $\leq 1\mu\text{s}$)

SMBT2222A	3k*	SP000011176	SMBT2222AE6327HTSA1	SOT23	40	-	100 ... 300	150	10
SMBT2907A	3k*	SP000011181	SMBT2907AE6327HTSA1	SOT23	60	-	100 ... 300	150	10
SMBT3904	3k*	SP000011673	SMBT3904E6327HTSA1	SOT23	40	200	100 ... 300	10	1
SMBT3904	10k*	SP000011675	SMBT3904E6433HTMA1	SOT23	40	200	100 ... 300	10	1
SMBT3906	3k*	SP000011680	SMBT3906E6327HTSA1	SOT23	40	200	100 ... 300	10	1

Fast Switching Dual Transistors (Storage Time $\leq 1\mu\text{s}$)

SMBT3904S	3k*	SP000749590	SMBT3904SH6327XTSA1	SOT363	40	200	100 ... 300	10	1
SMBT3904PN	3k*	SP000749584	SMBT3904PNH6327XTSA1	SOT363	40	200	100 ... 300	10	1
SMBT3904UPN	3k*	SP000012617	SMBT3904UPNE6327HTSA1	SC74	40	200	100 ... 300	10	1
SMBT3906S	3k*	SP000749596	SMBT3906SH6327XTSA1	SOT363	40	200	100 ... 300	10	1
SMBT3906U	3k*	SP000012616	SMBT3906UE6327HTSA1	SC74	40	200	100 ... 300	10	1

* order unit

SMD = Surface Mounted Device

General Purpose Diodes & Transistors

Type	Ordering Code	Orderable Part Number	Package	Maximum Ratings		Characteristics ($T_A = 25^\circ\text{C}$)			
				V_{CEO}	I_{CM}	h_{FE}	at	I_{C}	V_{CE}
				V	mA			mA	V

General Purpose Transistors

High Voltage Transistors ($V_{\text{CEP}} \geq 100\text{V}$)

BCX41	3k*	SP000010894	BCX41E6327HTSA1	SOT23	125	1000	≥ 63	100	1
BCX41	10k*	SP000010896	BCX41E6433HTMA1	SOT23	125	1000	≥ 63	100	1
BCX42	3k*	SP000010900	BCX42E6327HTSA1	SOT23	125	1000	≥ 63	100	1
BCX42	10k*	SP000010902	BCX42E6433HTMA1	SOT23	125	1000	≥ 63	100	1
BFN18	1k*	SP000010997	BFN18E6327HTSA1	SOT89	300	500	≥ 30	30	10
BFN19	1k*	SP000010998	BFN19E6327HTSA1	SOT89	300	500	≥ 30	30	10
BFN24	3k*	SP000014784	BFN24E6327HTSA1	SOT23	250	500	≥ 40	30	10
BFN26	3k*	SP000014785	BFN26E6327HTSA1	SOT23	300	500	≥ 30	30	10
BFN27	3k*	SP000014782	BFN27E6327HTSA1	SOT23	300	500	≥ 30	30	10
BFN38	1k*	SP000011006	BFN38E6327HTSA1	SOT223	300	500	≥ 30	30	10
BFN39	1k*	SP000014781	BFN39E6327HTSA1	SOT223	300	500	≥ 30	30	10
PZTA42	1k*	SP000014780	PZTA42E6327HTSA1	SOT223	300	500	≥ 40	30	10
SMBTA42	3k*	SP000011000	SMBTA42E6327HTSA1	SOT23	300	500	≥ 40	30	10
SMBTA92	3k*	SP000011004	SMBTA92E6327HTSA1	SOT23	300	500	≥ 25	30	10
PZTA92	4k*	SP000011009	PZTA92E6433HTMA1	SOT223	300	500	≥ 25	30	10

Darlington Transistors ($h_{\text{FE}} \geq 2000$)

BCP49	1k*	SP000010685	BCP49E6327HTSA1	SOT223	60	800	≥ 10000	100	5
BCV26	3k*	SP000010874	BCV26E6327HTSA1	SOT23	30	500	≥ 20000	100	5
BCV27	3k*	SP000010865	BCV27E6327HTSA1	SOT23	30	800	≥ 20000	100	5
BCV28	1k*	SP000010879	BCV28E6327HTSA1	SOT89	30	800	≥ 20000	100	5
BCP29	1k*	SP000010883	BCV29E6327HTSA1	SOT89	30	800	≥ 20000	100	5
BCV46	3k*	SP000010873	BCV46E6327HTSA1	SOT23	60	500	≥ 10000	100	5
BCV47	3k*	SP000010866	BCV47E6327HTSA1	SOT23	60	800	≥ 10000	100	5
BCV47	10k*	SP000010864	BCV47E6433HTMA1	SOT23	60	800	≥ 10000	100	5
BCV48	1k*	SP000010880	BCV48E6327HTSA1	SOT89	60	800	≥ 10000	100	5
BCV49	1k*	SP000010882	BCV49E6327HTSA1	SOT89	60	800	≥ 10000	100	5
BSP50	1k*	SP000011126	BSP50E6327HTSA1	SOT223	45	2000	≥ 2000	500	10
BSP51	1k*	SP000011127	BSP51E6327HTSA1	SOT223	60	2000	≥ 2000	500	10
BSP52	1k*	SP000011128	BSP52E6327HTSA1	SOT223	80	2000	≥ 2000	500	10
BSP60	1k*	SP000011131	BSP60E6327HTSA1	SOT223	45	2000	≥ 2000	500	10
BSP61	1k*	SP000011132	BSP61E6327HTSA1	SOT223	60	2000	≥ 2000	500	10
BSP62	1k*	SP000011133	BSP62E6327HTSA1	SOT223	80	2000	≥ 2000	500	10
PZTA14	1k*	SP000010688	PZTA14E6327HTSA1	SOT223	30	500	≥ 20000	100	5
SMBTA14	3k*	SP000010872	SMBTA14E6327HTSA1	SOT23	30	500	≥ 20000	100	5

* order unit

SMD = Surface Mounted Device

General Purpose Diodes & Transistors

Type	Ordering Code	Orderable Part Number	Package	Maximum Ratings		Characteristics ($T_A = 25^\circ\text{C}$)		
				V_R	I_F	V_F	at	I_F
				V	mA	V		mA

General Purpose Diodes

$I_{F(\text{max})} \leq 250\text{mA}$

BAL74	3k*	SP000014992	BAL74E6327HTSA1	SOT23	50	250	≤ 1.0	100
BAL99	3k*	SP000010159	BAL99E6327HTSA1	SOT23	70	250	≤ 1.25	150
BAL99	10k*	SP000010161	BAL99E6433HTMA1	SOT23	70	250	≤ 1.25	150
BAR74	3k*	SP000010202	BAR74E6327HTSA1	SOT23	50	250	≤ 1.0	100
BAS16	3k*	SP000010203	BAS16E6327HTSA1	SOT23	75	250	≤ 1.25	150
BAS16	10k*	SP000010201	BAS16E6433HTMA1	SOT23	75	250	≤ 1.25	150
BAS16-02L	15k*	SP000013548	BAS1602LE6327XTMA1	TSLP-2-1	75	250	≤ 1.25	150
BAS16-02V	3k*	SP000752008	BAS1602VH6327XTSA1	SC79	75	250	≤ 1.25	150
BAS16S (Triple)	3k*	SP000753162	BAS16SH6327XTSA1	SOT363	80	200	≤ 1.25	150
BAS16S (Triple)	3k*	SP000753164	BAS16SH6727XTSA1	SOT363	80	200	≤ 1.25	150
BAS16U (Triple)	3k*	SP000012608	BAS16UE6327HTSA1	SC74	80	200	≤ 1.25	150
BAS16W	3k*	SP000753166	BAS16WH6327XTSA1	SOT323	75	250	≤ 1.25	150
BAS16W	10k*	SP000753168	BAS16WH6433XTMA1	SOT323	75	250	≤ 1.25	150
BAS16-02W	3k*	SP000752010	BAS1602WH6327XTSA1	SCD80	75	200	≤ 1.25	150
BAS16-03W	3k*	SP000010213	BAS1603WE6327HTSA1	SOD323	75	250	≤ 1.25	150
BAS21	3k*	SP000010217	BAS21E6327HTSA1	SOT23	200	250	≤ 1.25	200
BAS21	10k*	SP000010219	BAS21E6433HTMA1	SOT23	200	250	≤ 1.25	200
BAS21-03W	3k*	SP000012522	BAS2103WE6327HTSA1	SOD323	200	250	≤ 1.25	200
BAS21-03W	10k*	SP000082470	BAS2103WE6433HTMA1	SOD323	200	250	≤ 1.25	200
BAS21U (Triple)	3k*	SP000012610	BAS21UE6327HTSA1	SC74	200	250	≤ 1.25	200
BAS21U (Triple)	10k*	SP000471142	BAS21UE6433HTMA1	SC74	200	250	≤ 1.25	200
BAS28 (Dual)	3k*	SP000010225	BAS28E6327HTSA1	SOT143	80	200	≤ 1.25	150
BAS28 (Dual)	10k*	SP000010228	BAS28E6433HTMA1	SOT143	80	200	≤ 1.25	150
BAS28W (Dual)	3k*	SP000753170	BAS28WH6327XTSA1	SOT343	80	200	≤ 1.25	150
BAV70 (Dual)	3k*	SP000014923	BAV70E6327HTSA1	SOT23	80	200	≤ 1.25	150
BAV70 (Dual)	10k*	SP000014924	BAV70E6433HTMA1	SOT23	80	200	≤ 1.25	150
BAV70S (Quad)	3k*	SP000753172	BAV70SH6327XTSA1	SOT363	80	200	≤ 1.25	150
BAV70S (Quad)	3k*	SP000753176	BAV70SH6727XTSA1	SOT363	80	200	≤ 1.25	150
BAV70S (Quad)	3k*	SP000753178	BAV70SH6827XTSA1	SOT363	80	200	≤ 1.25	150
BAV70U (Quad)	3k*	SP000012931	BAV70UE6327HTSA1	SC74	80	200	≤ 1.25	150
BAV70W (Dual)	3k*	SP000754042	BAV70WH6327XTSA1	SOT323	80	200	≤ 1.25	150
▼ BAV70W (Dual)	10k*	SP000754044	BAV70WH6433XTMA1	SOT323	80	200	≤ 1.25	150
BAV99S (Quad)	3k*	SP000754046	BAV99SH6327XTSA1	SOT363	80	200	≤ 1.25	150
BAV99S (Quad)	10k*	SP000754048	BAV99SH6433XTMA1	SOT363	80	200	≤ 1.25	150
BAV99U (Quad)	3k*	SP000012613	BAV99UE6327HTSA1	SC74	80	200	≤ 1.25	150
BAW101 (Dual)	3k*	SP000010363	BAW101E6327HTSA1	SOT143	300	250	≤ 1.3	100
BAW101 (Dual)	10k*	SP000010364	BAW101E6433HTMA1	SOT143	300	250	≤ 1.3	100
BAW56S (Quad)	3k*	SP000754060	BAW56SH6327XTSA1	SOT363	80	200	≤ 1.25	150
BAW56S (Quad)	3k*	SP000754064	BAW56SH6727XTSA1	SOT363	80	200	≤ 1.25	150
BAW56U (Quad)	3k*	SP000014993	BAW56UE6327HTSA1	SC74	80	200	≤ 1.25	150
BAW56U (Quad)	10k*	SP000492394	BAW56UE6433HTMA1	SC74	80	200	≤ 1.25	150
SMBD914	3k*	SP000010209	SMBD914E6327HTSA1	SOT23	70	250	≤ 1.0	100
SMBD7000 (Dual)	3k*	SP000014938	SMBD7000E6327HTSA1	SOT23	100	200	≤ 1.1	100

* order unit

SMD = Surface Mounted Device

General Purpose Diodes & Transistors

Type	Ordering Code	Orderable Part Number	Package	Maximum Ratings		Characteristics ($T_A = 25^\circ\text{C}$)	
				V_R V	I_F mA	V_F V	at I_F mA

General Purpose Diodes

$I_{F(\max)} \leq 1000\text{mA}$

BAW78D	1k*	SP000010370	BAW78DE6327HTSA1	SOT89	400	1000	≤ 2.00	2000
BAW79D (Dual)	1k*	SP000014594	BAW79DE6327HTSA1	SOT89	400	1000	≤ 2.00	2000

Low Leakage

BAS116	3k*	SP000010194	BAS116E6327HTSA1	SOT23	75	250	≤ 1.25	150
BAS116	10k*	SP000010196	BAS116E6433HTMA1	SOT23	75	250	≤ 1.25	150
BAV170 (Dual)	3k*	SP000010325	BAV170E6327HTSA1	SOT23	80	200	≤ 1.25	150
BAV170 (Dual)	10k*	SP000010332	BAV170E6433HTMA1	SOT23	80	200	≤ 1.25	150
BAV199 (Dual)	3k*	SP000010326	BAV199E6327HTSA1	SOT23	80	200	≤ 1.25	150
BAV199 (Dual)	10k*	SP000010330	BAV199E6433HTMA1	SOT23	80	200	≤ 1.25	150
BAW156 (Dual)	3k*	SP000010327	BAW156E6327HTSA1	SOT23	80	20	≤ 1.25	150

Bridge Rectifier

BGX50 A	3k*	SP000011092	BGX50AE6327HTSA1	SOT143	50	140	≤ 1.30	100
BAS3007A-RPP	3k*	SP000356003	BAS3007ARPPE6327HTSA1	SOT143	30	350	≤ 0.40	100
BAS4002A-RPP	3k*	SP000443736	BAS4002ARPPE6327HTSA1	SOT143	40	200	≤ 0.62	100

* order unit

SMD = Surface Mounted Device

LED Driver & Lighting ICs

LED Drivers for Outdoor & Indoor Lighting	205
Off-Line LED Driver ICs	206
Smart Ballast Control ICs for Fluorescent Lamp Ballasts	206
Switch-Mode and Linear LED Drivers for Automotive Lighting Applications	207

Type	Ordering Code	Orderable Part Number	Package	Maximum Ratings		
				$V_{S(max)}$ V	$I_{out (typ)}$ mA	$I_{out (max)}$ mA

LED Drivers for Outdoor & Indoor Lighting**LED Controller for 0.5W LEDs**

BCR320U	3k*	SP000665920	BCR320UE6327HTSA1	SC74	24	250	300
BCR321U	3k*	SP000665918	BCR321UE6327HTSA1	SC74	24	250	300
BCR420U	3k*	SP000665924	BCR420UE6327HTSA1	SC74	40	150	200
BCR421U	3k*	SP000665922	BCR421UE6327HTSA1	SC74	40	150	200

LED Controller for 1W up to 3W LEDs

BCR450	3k*	SP000394437	BCR450E6327HTSA1	SC74	27	70	-
ILD1150	2.5k*	SP000911854	ILD1150XUMA1	PG-SSOP-14	45	70	-
ILD1151	2.5k*	SP000890052	ILD1151XUMA1	PG-SSOP-14	45	70	-
ILD4001	3k*	SP000777082	ILD4001E6327HTSA1	SC74	42	10	-

LED Drivers for Low Power LEDs

BCR205W	3k*	SP000866560	BCR205WH6327XTSA1	SOT343	18	0.5	-
BCR401R	3k*	SP000013678	BCR401RE6327HTSA1	SOT143	18	10	60
BCR401R	10k*	SP000839202	BCR401RE6433HTMA1	SOT143	18	10	60
BCR401U	3k*	SP000311546	BCR401UE6327HTSA1	SC74	40	10	65
BCR401W	3k*	SP000745174	BCR401WH6327XTSA1	SOT343	18	10	60
BCR402R	3k*	SP000013057	BCR402RE6327HTSA1	SOT143	18	20	60
BCR402R	10k*	SP000839204	BCR402RE6433HTMA1	SOT143	18	20	60
BCR402U	3k*	SP000013482	BCR402UE6327HTSA1	SC74	40	20	65
BCR402W	3k*	SP000745922	BCR402WH6327XTSA1	SOT343	18	20	60
BCR405U	3k*	SP000013481	BCR405UE6327HTSA1	SC74	40	50	65

LED Drivers for High Power LEDs

ILD2035	3k*	SP000929218	ILD2035E6327HTSA1	SC74	22	350	400
ILD4035	3k*	SP000694112	ILD4035E6327HTSA1	SC74	40	350	400
ILD4071	2.5k*	SP000928680	ILD4071XUMA1	PG-DSO-8-27	45	500	700
ILD4120	2.5k*	SP000785284	ILD4120E6327XUMA1	PG-DSO-8-27	40	1200	1200
ILD4180	2.5k*	SP000750736	ILD4180XUMA1	PG-DSO-8-27	45	1800	1800
▼ ILD6070	2.5k*	SP000955324	ILD6070XUMA1	PG-DSO-8-27	60	700	700
▼ ILD6150	2.5k*	SP000955332	ILD6150XUMA1	PG-DSO-8-27	60	1500	1500
▼ TLE4309G	1k*	SP000299342	TDA4309GATMA1	PG-TO263-7	24	500	700

SMD = Surface Mounted Device

LED Driver & Lighting ICs

Type	Ordering Code	Orderable Part Number	Package	Description
------	---------------	-----------------------	---------	-------------

Off-Line LED Driver ICs

ICL8001G	SP000773086	ICL8001GXUMA1	PG-DSO-8-1	Dimmable off-line LED driver controller, simplifies LED driver implementation, quasi-resonant flyback/buck, tape & reel
ICL8002G	SP000923986	ICL8002GXUMA1	PG-DSO-8-1	Dimmable off-line LED driver controller, optimized for best possible dimming performance, quasi-resonant flyback/buck, tape & reel

Smart Ballast Control ICs for Fluorescent Lamp Ballasts

■ ICB1FL02G	SP000204703	ICB1FL02GXUMA1	PG-DSO-18-1	PFC, ballast control and half-bridge driver in one IC, tape & reel
■ ICB1FL03G	SP000626792	ICB1FL03GXUMA1	PG-DSO-18-2	PFC, ballast control and half-bridge driver in one IC, tape & reel
ICB2FL01G	SP000363741	ICB2FL01GXUMA1	PG-DSO-19-1	2nd generation FL-controller for fluorescent lamp ballasts, tape & reel
ICB2FL02G	SP000555574	ICB2FL02GXUMA1	PG-DSO-19-1	2nd generation FL-controller for fluorescent lamp ballasts, optimized to operating frequency and detection threshold, tape & reel
ICB2FL03G	SP000776684	ICB2FL03GXUMA1	PG-DSO-16-20	2nd generation FL-controller for fluorescent lamp ballasts, including a discontinuous mode Power Factor Correction (PFC), lamp inverter control and a high-voltage level shift half-bridge driver, tape & reel

SMD = Surface Mounted Device

Type	Ordering Code	Orderable Part Number	Package	Description
------	---------------	-----------------------	---------	-------------

Switch Mode and Linear LED Drivers for Automotive Lighting Applications

Basic LED Driver ICs

▼ TLD1121EL	SP000809166	TLD1121ELXUMA1	PG-SSOP-14	Basic LED driver, high side current source, 1 input-, 1 output channel, drive 3 red LEDs with output current up to 180mA, maximum output load current up to 360 mA, OL & SC detection, tape & reel
▼ TLD1124EL	SP001092708	TLD1124ELXUMA1	PG-SSOP-14	Basic LED driver, high side current source, 1 input-, 1 output channel, drive 3 red LEDs with output current up to 180mA, maximum output load current up to 360 mA, OL & SC detection, DEN, tape & reel
▼ TLD1125EL	SP000809220	TLD1125ELXUMA1	PG-SSOP-14	Basic LED driver, high side current source, 1 input-, 1 output channel, drive 3 red LEDs with output current up to 180mA, maximum output load current up to 360 mA, OL & SC detection, PWMI, tape & reel
▼ TLD1313EL	SP000809208	TLD1313ELXUMA1	PG-SSOP-14	Basic LED driver, high side current source, 1 input-, 3 output channel, drive 3 red LEDs with output current up to 60mA, maximum output load current up to 120 mA, OL & SC with double fault detection, tape & reel
▼ TLD1314EL	SP001092706	TLD1314ELXUMA1	PG-SSOP-14	Basic LED driver, high side current source, 1 input-, 3 output channel, drive 3 red LEDs with output current up to 60mA, maximum output load current up to 120 mA, OL & SC detection, DEN, tape & reel
▼ TLD2311EL	SP000809216	TLD2311ELXUMA1	PG-SSOP-14	Basic LED driver, high side current source, 3 input-, 3 output channel, drive 3 red LEDs with output current up to 60mA, maximum output load current up to 120 mA, OL & SC detection, tape & reel
▼ TLD2314EL	SP001092710	TLD2314ELXUMA1	PG-SSOP-14	Basic LED driver, high side current source, 3 input-, 3 output channel, drive 3 red LEDs with output current up to 60mA, maximum output load current up to 120 mA, OL & SC detection, DEN, tape & reel

Linear LED Driver IC

TLE4241GM	SP000410436	TLE4241GMFUMA1	PG-DSO-8-9	Lowdrop LED driver, with adjustable current output (8/65V), Inhibit, tape & reel
■ TLE4242G	SP000299340	TLE4242GATMA1	PG-TO263-7-1	Lowdrop LED driver, with adjustable current output up to 500mA, Inhibit, tape & reel
▼ TLE4242G	SP000977146	TLE4242GATMA2	PG-TO263-7-1	Lowdrop LED driver, with adjustable current output up to 500mA, Inhibit, tape & reel
TLD1211SJ	SP000735204	TLD1211SJFUMA1	PG-DSO-8-16	Basic LED driver, high side current source, 1 channel, typical 85 mA load current, up to 2.5A load current using external transistors, tape & reel

SMD = Surface Mounted Device

LED Driver & Lighting ICs

Type	Ordering Code	Orderable Part Number	Package	Description
------	---------------	-----------------------	---------	-------------

Switch Mode and Linear LED Drivers for Automotive Lighting Application

LINLED Driver IC

TLD7305EK	SP000990746	TLD7305EKXUMA2	PG-DSO-14-43	LIN controlled LED driver for multicolor and challenging RGB ambient lighting, SAE J2602 compliant, up to 48mA integrated current source, tape & reel
TLD7306EK	SP000847704	TLD7306EKXUMA1	PG-DSO-14-43	LIN controlled LED driver for multicolor and challenging RGB ambient lighting, LIN 2.1 compliant, up to 48mA integrated current source, tape & reel
TLD7395EK	SP000847706	TLD7395EKXUMA1	PG-DSO-14-43	LIN controlled LED driver for multicolor and challenging RGB ambient lighting, SAE J2602 compliant, with external drive capability, tape & reel
TLD7396EK	SP000847680	TLD7396EKXUMA1	PG-DSO-14-43	LIN controlled LED driver for multicolor and challenging RGB ambient lighting, LIN 2.1 compliant, with external drive capability, tape & reel

Power LED Driver ICs

TLD5045EJ	SP000769888	TLD5045EJXUMA1	PG-DSO-8 EP	Power LED driver, 700mA high integration DC/DC step-down converter, constant current generation, peak current regulation, tape & reel
TLD5085EJ	SP000550912	TLD5085EJFUMA1	PG-DSO-8 EP	Power LED driver, 1.8A DC/DC step-down converter, constant current or constant voltage regulation, PWM dimming, tape & reel
TLD5095EL	SP000464524	TLD5095ELXUMA1	PG-SSOP-14	Power LED driver, DC/DC Boost, Buck Boost, SEPIC controller, constant current or constant voltage regulation, Enable function, implemented status pin to indicate fault conditions, tape & reel
TLD5098EL	SP000671268	TLD5098ELXUMA1	PG-SSOP-14	Power LED driver, DC/DC Boost, Buck Boost, SEPIC controller, constant current or constant voltage regulation, Enable function, analog dimming feature to adjust average LED current, tape & reel

SMD = Surface Mounted Device

Sensors & Wireless Control

Integrated Pressure Sensor ICs	211
Tire Pressure Sensors (TPMS)	211
Magnetic Sensors	212
Wireless Control	217

Type	Ordering Code	Orderable Part Number	Package	Data			
				Pressure Range	Supply Voltage	Accuracy	Output
				kPa	V	kPa	

Integrated Pressure Sensor ICs**Barometric Air Pressure Sensors (BAP)**

KP234	SP000700772	KP234XTMA1	PG-DSOF-8	40 ... 115	5.0	1.5	analog
KP235	SP000700776	KP235XTMA1	PG-DSOF-8	40 ... 115	5.0	1.2	analog
KP236	SP000700780	KP236XTMA1	PG-DSOF-8	40 ... 115	5.0	1.0	analog
KP236N6165	SP000700784	KP236N6165XTMA1	PG-DSOF-8	60 ... 165	5.0	1.0	analog

Digital Barometric Air Pressure Sensors (BAP)

KP253	SP000843708	KP253XTMA1	PG-DSOF-8	60 ... 165	3.3 - 5.0	1.0	Digital SPI
KP254	SP000773948	KP254XTMA1	PG-DSOF-8	40 ... 115	3.3 - 5.0	1.5	Digital SPI
▼ KP256	SP000773952	KP256XTMA1	PG-DSOF-8	60 ... 165	3.3 - 5.0	±1.0	Digital SPI

Manifold Pressure Sensors (MAP)

KP214N2611	SP000763326	KP214N2611XTMA1	PG-DSOF-8	20 ... 115	5.0	1.5	analog
KP215F1701	SP000698278	KP215F1701XTMA1	PG-DSOF-8	10 ... 115	5.0	1.4	analog
KP216K1409	SP000698288	KP216K1409XTMA1	PG-DSOF-8	15 ... 115	5.0	1.0	analog
KP216H1416	SP000698282	KP216H1416XTMA1	PG-DSOF-8	50 ... 150	5.0	1.0	analog
KP219N3621	SP000824058	KP219N3621XTMA1	PG-DSOF-8	15 ... 102	5.1	1.5	analog
KP229E2701	SP000699514	KP229E2701XTMA1	PG-DSOF-8	10 ... 300	5.0	2.5	analog
KP229L2920	SP000788810	KP229L2920XTMA1	PG-DSOF-8	60 ... 260	5.0	3.5	analog
KP229E3518	SP000808692	KP229E3518XTMA1	PG-DSOF-8	50 ... 350	5.0	4.0	analog

Type	Ordering Code	Orderable Part Number	Package	Data		
				Pressure Range	V _s	Integrated g-Sensor
				kPa	V	

Tire Pressure Sensors (TPMS)

SP370-25-106-0	SP000934274	SP370251060XTMA1	PG-DSOSP-14	100 ... 450	1.9 ... 3.6	yes
SP370-25-116-0	SP000910344	SP370251160XTMA1	PG-DSOSP-14	100 ... 900	1.9 ... 3.6	yes
SP370-23-156-0	SP000878364	SP370231560XTMA1	PG-DSOSP-14	100 ... 1300	1.9 ... 3.6	yes

General Sensor for Pressure Monitoring Systems (PMS)

SP270-25-256-0	SP000921782	SP270252560XTMA1	PG-DSOSP-14	100 ... 1300	1.9 ... 3.6	no
----------------	-------------	------------------	-------------	--------------	-------------	----

SMD = Surface Mounted Device

Sensors & Wireless Control

Type	Ordering Code	Orderable Part Number	Package	Characteristics			
				Application	Direction Detection	Type of Hysteresis	Interface

Magnetic Sensors

Magnetic Speed Sensors (Hall)

TLE4921-5U	SP000013593	TLE49215UHALA1	PG-SSO-4	Transmission Crankshaft	-	visible fixed	voltage
TLE4924C-1 E6547	SP000718170	TLE4924C1E6547HAMA1	PG-SSO-3	Crankshaft	-	visible fixed	voltage
TLE4924C-2 E6547	SP000718250	TLE4924C2E6547HAMA1	PG-SSO-3	Crankshaft	-	visible adaptive	voltage
TLE4926C-HT E6547	SP000718258	TLE4926CHTE6547HAMA1	PG-SSO-3	Crankshaft	-	hidden fixed	voltage
TLE4927C E6547	SP000718266	TLE4927CE6547HAMA1	PG-SSO-3	Transmission Crankshaft	-	hidden adaptive	voltage
TLE4928	SP000700818	TLE4928HALA1	PG-SSO-3	Transmission Crankshaft	-	hidden fixed	voltage
TLE4928C E6547	SP000718274	TLE4928CE6547HAMA1	PG-SSO-3	Transmission Crankshaft	-	hidden fixed	voltage
TLE4941C	SP000710666	TLE4941CBAMA1	PG-SSO-2	ABS Transmission	-	hidden fixed	current
TLE4941 PLUSC	SP000478508	TLE4941PLUSCAAMA1	PG-SSO-2	ABS Transmission	-	hidden fixed	current
TLE4942-1C	SP000710676	TLE49421CBAMA1	PG-SSO-2	ABS Transmission	yes	hidden fixed	current
TLE4953	SP000278512	TLE4953HALA1	PG-SSO-2	Transmission	yes	visible adaptive	current
TLE4953C	SP000710696	TLE4953CBAMA1	PG-SSO-2	Transmission	yes	visible adaptive	current
▼ TLE4954C	SP000848260	TLE4954CCAMA1	PG-SSO-2	Transmission	yes	visible adaptive	current
▼ TLE4954C E1	SP000848264	TLE4954CE1CAMA1	PG-SSO-2	Transmission	yes	visible adaptive	current
▼ TLE4954C E2	SP000848268	TLE4954CE2CAMA1	PG-SSO-2	Transmission	yes	visible adaptive	current
▼ TLE4954C E4	SP001050144	TLE4954CE4CAMA1	PG-SSO-2	Transmission	yes	visible adaptive	current
▼ TLE4957C E6247	SP000857052	TLE4957CE6247HAMA1	PG-SSO-3	Transmission	-	hidden adaptive	voltage
▼ TLE4957C E6747	SP000649296	TLE4957CE6747HAMA1	PG-SSO-3	Transmission	yes	hidden adaptive	voltage
▼ TLE4957C-2 E6247	SP000849660	TLE4957C2E6247HAMA1	PG-SSO-3	Transmission	-	visible adaptive	voltage
▼ TLE4957C-2 E6747	SP000745374	TLE4957C2E6747HAMA1	PG-SSO-3	Transmission	yes	visible adaptive	voltage
▼ TLE4983C-HT E6547	SP000614788	TLE4983CHTE6547HAMA1	PG-SSO-3	Camshaft	-	hidden fixed	voltage
TLE4983C-HT E6747	SP000374275	TLE4983CHTE6747HAMA1	PG-SSO-3	Camshaft	-	hidden fixed	voltage
TLE4984C-HT E6747	SP000374268	TLE4984CHTE6747HAMA1	PG-SSO-3	Camshaft	-	hidden fixed	voltage
▼ TLE5027C-I E6747	SP000481606	TLE5027CIE6747HAMA1	PG-SSO-3	Transmission Crankshaft	yes	hidden adaptive	voltage
▼ TLE5027C-N E6747	SP000317780	TLE5027CNE6747HAMA1	PG-SSO-3	Transmission Crankshaft	yes	hidden adaptive	voltage

SMD = Surface Mounted Device

Type	Ordering Code	Orderable Part Number	Package	Characteristics			
				Application	Direction Detection	Type of Hysteresis	Interface

Magnetic Sensors**Magnetic Speed Sensors (iGMR)**

TLE5025C E6747	SP000317777	TLE5025CE6747HAMA1	PG-SSO-3	Transmission Crankshaft	-	hidden adaptive	voltage
▼ TLE5041 PLUSC	SP001029256	TLE5041PLUSCAAMA1	PG-SSO-2	ABS	-	hidden fixed	current

Magnetic Speed Sensors (iBB) integrated Back Bias

TLE4924CB-2 E6547	SP001056512	TLE4924CB2E6547XTMA1	PG-SSOM-3	Transmission Crankshaft Camshaft	-	visible adaptive	voltage
----------------------	-------------	----------------------	-----------	--	---	---------------------	---------

Sensors & Wireless Control

Type	Ordering Code	Orderable Part Number	Package	Description		
				B_{OP} (25°C typ.) mT	Type	Direction Detection

Magnetic Sensors

Hall-Effect Switches

Double Hall (automotive)

TLE4966K	SP000392740	TLE4966KHTSA1	PG-TSOP6-6	7.5	Latch	yes
TLE4966-2K	SP000788888	TLE49662KHTSA1	PG-TSOP6-6	7.5	Latch	no
TLE4966-3K	SP000835522	TLE49663KHTSA1	PG-TSOP6-6	2.5	Latch	yes
TLE4966L	SP000014135	TLE4966LHALA1	PG-SSO-4	7.5	Latch	yes

Latch (automotive)

TLE4946K	SP000392737	TLE4946KHTSA1	SC59-3	14.0	Latch	no
TLE4946-2K	SP000472424	TLE49462KHTSA1	SC59-3	2.0	Latch	no
TLE4946-1L	SP000015003	TLE49461LHALA1	PG-SSO-3	15.0	Latch	no
TLE4946-2L	SP000398352	TLE49462LHALA1	PG-SSO-3	2.0	Latch	no
TLE4961-1K	SP000848008	TLE49611KXTSA1	SC59-3	2.0	Latch	no
TLE4961-3K	SP000848004	TLE49613KXTSA1	SC59-3	7.5	Latch	no
TLE4961-5K	SP000910192	TLE49615KXTSA1	SC59-3	15.0	Latch	no
TLE4961-1L	SP000848038	TLE49611LHALA1	PG-SSO-3	2.0	Latch	no
TLE4961-3L	SP000848034	TLE49613LHALA1	PG-SSO-3	7.5	Latch	no
TLE4961-1M	SP000923322	TLE49611MXTSA1	SOT23-3	2.0	Latch	no
TLE4961-2M	SP000997954	TLE49612MXTSA1	SOT23-3	5.0	Latch	no
TLE4961-3M	SP000909960	TLE49613MXTSA1	SOT23-3	7.5	Latch	no
▼ TLE4961-4M	SP001042410	TLE49614MXTSA1	SOT23-3	10.0	Latch	no
▼ TLE4961-5M	SP001013854	TLE49615MXTSA1	SOT23-3	15.0	Latch	no
▼ TLE4968-1M	SP000923334	TLE49681MXTSA1	SOT23-3	1.0	Latch	no

Latch (industrial)

TLI4946K	SP000604398	TLI4946KHTSA1	SC59-3	14.0	Latch	no
TLI4946-2K	SP000604328	TLI49462KHTSA1	SC59-3	2.0	Latch	no
TLI4946-2L	SP000604336	TLI49462LHALA1	PG-SSO-3	2.0	Latch	no

Latch (consumer)

TLV4946K	SP000604402	TLV4946KFTSA1	SC59-3	14.0	Latch	no
TLV4946-2K	SP000604332	TLV49462KFTSA1	SC59-3	2.0	Latch	no
TLV4946-2L	SP000604340	TLV49462LHALA1	PG-SSO-3	2.0	Latch	no
TLV4961-1M	SP000965272	TLV49611MXTSA1	SOT23-3	5.0	Latch	no
TLV4961-3M	SP000965276	TLV49613MXTSA1	SOT23-3	7.5	Latch	no

Low Power (automotive)

TLE4916-1K	SP000649954	TLE49161KHTSA1	SC59-3	3.5	Latch	no
------------	-------------	----------------	--------	-----	-------	----

Low Power (consumer, mobile)

TLE4913	SP000013490	TLE4913HTSA1	SC59-3	3.5	Omnipolar	no
TLE4917	SP000013477	TLE4917HTSA1	PG-TSOP6-6	5.0	Omnipolar	no

SMD = Surface Mounted Device

Type	Ordering Code	Orderable Part Number	Package	Description		
				B_{OP} (25°C typ.) mT	Type	Direction Detection

Magnetic Sensors**Hall-Effect Switches****Unipolar/Bipolar (automotive)**

TLE4968-1K	SP000847992	TLE49681KXTSA1	SC59-3	1.0	Bipolar	no
TLE4968-1L	SP000848030	TLE49681LHALA1	PG-SSO-3	1.0	Omnipolar	no
TLE4964-1K	SP000848000	TLE49641KXTSA1	SC59-3	18.0	Unipolar	no
TLE4964-2K	SP000847996	TLE49642KXTSA1	SC59-3	28.0	Unipolar	no
TLE4964-3K	SP000910188	TLE49643KXTSA1	SC59-3	12.5	Unipolar	no
TLE4964-1M	SP000923326	TLE49641MXTSA1	SOT23-3	18.0	Unipolar	no
TLE4964-2M	SP000923330	TLE49642MXTSA1	SOT23-3	28.0	Unipolar	no
TLE4964-3M	SP001013860	TLE49643MXTSA1	SOT23-3	12.5	Unipolar	no
▼ TLE4964-4M	SP001042414	TLE49644MXTSA1	SOT23-3	10.0	Unipolar	no
TLE4964-5M	SP000997958	TLE49645MXTSA1	SOT23-3	7.5	Unipolar	no
▼ TLE4964-6M	SP001042418	TLE49646MXTSA1	SOT23-3	3.5	Unipolar	no
TLE4906K	SP000475028	TLE4906KHTSA1	SC59-3	10.0	Unipolar	no
TLE4906-2K	SP000868840	TLE49062KHTSA1	SC59-3	18.0	Unipolar	no
TLE4906-3K	SP000868844	TLE49063KHTSA1	SC59-3	28.0	Unipolar	no
TLE4906L	SP000012949	TLE4906LHALA1	PG-SSO-3	10.0	Unipolar	no
TLE4976-1K	SP000475038	TLE49761KHTSA1	SC59-3	9.25	Unipolar	no
TLE4976-2K	SP000505028	TLE49762KHTSA1	SC59-3	4.5	Unipolar	no
TLE4976L	SP000012951	TLE4976LHALA1	PG-SSO-3	6.0	Unipolar	no

Unipolar/Bipolar (industrial)

TLI4906K	SP000604306	TLI4906KHTSA1	SC59-3	10.0	Unipolar	no
TLI4906L	SP000604320	TLI4906LHALA1	PG-SSO-3	10.0	Unipolar	no

Unipolar/Bipolar (consumer)

TLV4906K	SP000604310	TLV4906KFTSA1	SC59-3	10.0	Unipolar	no
TLV4906L	SP000604324	TLV4906LHALA1	PG-SSO-3	10.0	Unipolar	no
TLV4976-1K	SP000803730	TLV49761KXTSA1	SC59-3	9.25	Unipolar	no
TLV4976-2K	SP000803734	TLV49762KXTSA1	SC59-3	4.5	Unipolar	no

SMD = Surface Mounted Device

Sensors & Wireless Control

Type	Ordering Code	Orderable Part Number	Package	Description		
				Type	Programmable	Interface

Magnetic Position Sensors

Linear Hall ICs (leadless)

TLE4997E2	SP000235288	TLE4997E2XALA1	PG-SSO-3	Linear Hall	yes	Analog
TLE4998P3	SP000412104	TLE4998P3XALA1	PG-SSO-3	Linear Hall	yes	PWM
TLE4998P4	SP000412106	TLE4998P4HALA1	PG-SSO-4	Linear Hall	yes	PWM
TLE4998P3C	SP000481486	TLE4998P3CHAMA1	PG-SSO-3	Linear Hall	yes	PWM
TLE4998P3C E1200	SP000597466	TLE4998P3CE1200HAMA1	PG-SSO-3	Linear Hall	yes	PWM
TLE4998S3	SP000412108	TLE4998S3XALA1	PG-SSO-3	Linear Hall	yes	SENT
TLE4998S4	SP000412110	TLE4998S4HALA1	PG-SSO-4	Linear Hall	yes	SENT
TLE4998S3C	SP000481484	TLE4998S3CHAMA1	PG-SSO-3	Linear Hall	yes	SENT
TLE4998C3	SP000476468	TLE4998C3XALA1	PG-SSO-3	Linear Hall	yes	SPC
TLE4998C4	SP000440972	TLE4998C4HALA1	PG-SSO-4	Linear Hall	yes	SPC
TLE4998C3C	SP000481482	TLE4998C3CHAMA1	PG-SSO-3	Linear Hall	yes	SPC

High-Precision Current Sensor (industrial)

▼ TLI4970-D050T4	SP000917088	TLI4970D050T4XUMA1	PG-TISON-8	Current Sensor	yes	SPI, SPC
------------------	-------------	--------------------	------------	----------------	-----	----------

Type	Ordering Code	Orderable Part Number	Package	Description		
				Application	Accuracy	Interface

Angle Sensors (iGMR)

TLE5009 E1000	SP000912764	TLE5009E1000FUMA1	PG-DSO-8	-BLDC motor commutation	3.0	Analog
TLE5009 E1010	SP000912774	TLE5009E1010FUMA1	PG-DSO-8	-Rotary switches	2.3	Analog
TLE5009 E2000	SP000912760	TLE5009E2000FUMA1	PG-DSO-8	-Steering angle sensing	3.0	Analog
TLE5009 E2010	SP000912770	TLE5009E2010FUMA1	PG-DSO-8	-Valve or flap position sensing	2.3	Analog
TLE5011	SP000857850	TLE5011FUMA1	PG-DSO-8		1.6	SPI
TLE5012B E1000	SP000905682	TLE5012BE1000FUMA1	PG-DSO-8		1.0	SPI, IIF
TLE5012B E3005	SP000905686	TLE5012BE3005FUMA1	PG-DSO-8		1.0	SPI, HSM
TLE5012B E5000	SP000905690	TLE5012BE5000FUMA1	PG-DSO-8		1.0	SPI, PWM
TLE5012B E9000	SP000905694	TLE5012BE9000FUMA1	PG-DSO-8		1.0	SPI, SPC

SMD = Surface Mounted Device

Type	Ordering Code	Orderable Part Number	Package	Description			
				Frequency Band	Modulation Type	Operating Temperature Range	ASK Sensitivity
				MHz		°C	dBm

Wireless Control**Receiver (single channel)**

TDA5200	SP000016381	TDA5200XUMA1	PG-TSSOP-28	434/868	ASK only	-40 ... +85	-110.0
TDA5201	SP000012902	TDA5201XUMA1	PG-TSSOP-28	315/345	ASK only	-40 ... +85	-112.0
TDA5210	SP000016384	TDA5210XUMA1	PG-TSSOP-28	434/868	ASK/FSK	-40 ... +105	-110.0
TDA5211	SP000016390	TDA5211XUMA1	PG-TSSOP-28	315/345	ASK/FSK	-40 ... +105	-113.0
TDA5212	SP000013430	TDA5212XUMA1	PG-TSSOP-28	915	ASK/FSK	-40 ... +85	-112.0
TDA5220	SP000014342	TDA5220XUMA1	PG-TSSOP-28	434/868	ASK/FSK	-40 ... +105	-110.0
TDA7200	SP000296473	TDA7200XUMA1	PG-TSSOP-28	434	ASK/FSK	-20 ... +70	-110.0
TDA7210	SP000524274	TDA7210XUMA1	PG-TSSOP-28	434/868	ASK/FSK	-40 ... +85	-110.0
TDA7210V	SP000698080	TDA7210VXUMA1	PG-VQFN-32	434/868	ASK/FSK	-40 ... +85	-115.0

SmartLEWIS™ RX+ (single channel) High Sensitivity Receiver with Digital Baseband Processing

TDA5235	SP000507674	TDA5235XUMA1	PG-TSSOP-28	315/434/ 868/915	ASK/FSK	-40 ... +105	-
---------	-------------	--------------	-------------	---------------------	---------	--------------	---

Receiver (multi channel)

TDA5221	SP000014343	TDA5221XUMA1	PG-TSSOP-28	315	ASK/FSK	-40 ... +105	-113.0
---------	-------------	--------------	-------------	-----	---------	--------------	--------

SmartLEWIS™ RX (multi channel) Receiver with Digital Baseband Processing

TDA5230	SP000076520	TDA5230XUMA1	PG-TSSOP-28	434/868	ASK/FSK	-40 ... +105	-108.0
TDA5231	SP000202847	TDA5231XUMA1	PG-TSSOP-28	315	ASK/FSK	-40 ... +105	-108.0

SmartLEWIS™ RX+ (multi channel) High Sensitivity Receiver with Digital Baseband Processing

TDA5225	SP000507672	TDA5225XUMA1	PG-TSSOP-28	315/434/ 868/915	ASK/FSK	-40 ... +105	-
TDA5240	SP000550860	TDA5240XUMA1	PG-TSSOP-28	315/434/ 868/915	ASK/FSK	-40 ... +105	-

SMD = Surface Mounted Device

Sensors & Wireless Control

Type	Ordering Code	Orderable Part Number	Package	Description			
				Frequency Band	Modulation Type	Transmit Power (at 3V)	Operating Temperature Range
				MHz		dBm	°C

Wireless Control

Transmitter (single channel)

TDA5102	SP000013432	TDA5102XUMA1	PG-TSSOP-16	915	ASK/FSK	2.0	-25 ... +85
TDA5103A	SP000305485	TDA5103AHTMA1	PG-TSSOP-10	345	ASK only	5.0	-25 ... +85
TDA7100	SP000296466	TDA7100HTMA1	PG-TSSOP-10	434	ASK/FSK	5.0	-20 ... +70
TDA7110	SP000524278	TDA7110XUMA1	PG-TSSOP-16	434/868	ASK/FSK	10.0	-40 ... +85
TDA7110F	SP000611108	TDA7110FHTMA1	PG-TSSOP-10	434	ASK/FSK	10.0	-40 ... +85
TDA7116F	SP000611114	TDA7116FHTMA1	PG-TSSOP-10	868	ASK/FSK	10.0	-40 ... +85
TDK5100	SP000014557	TDK5100XUMA1	PG-TSSOP-16	434/868	ASK/FSK	5.0/2.0	-40 ... +125
TDK5100F	SP000014745	TDK5100FHTMA1	PG-TSSOP-10	434	ASK/FSK	5.0	-40 ... +125
TDK5101	SP000014559	TDK5101XUMA1	PG-TSSOP-16	315	ASK/FSK	5.0	-25 ... +85
TDK5101F	SP000014744	TDK5101FHTMA1	PG-TSSOP-10	315	ASK/FSK	5.0	-40 ... +125
TDK5110	SP000013532	TDK5110XUMA1	PG-TSSOP-16	434/868	ASK/FSK	10.0	-40 ... +125
TDK5110F	SP000056180	TDK5110FHTMA1	PG-TSSOP-10	434	ASK/FSK	10.0	-40 ... +125
TDK5111	SP000014017	TDK5111XUMA1	PG-TSSOP-16	315	ASK/FSK	10.0	-40 ... +125
TDK5111F	SP000056181	TDK5111FHTMA1	PG-TSSOP-10	315	ASK/FSK	10.0	-40 ... +125
TDK5116F	SP000056182	TDK5116FHTMA1	PG-TSSOP-10	868	ASK/FSK	10.0	-40 ... +125

SmartLEWIS™ TX (multi channel) Transmitter

TDA5150	SP000300415	TDA5150HTMA1	PG-TSSOP-10	315/434/ 868/915	ASK/FSK	5.0/8.0/10.0	-40 ... +85
---------	-------------	--------------	-------------	---------------------	---------	--------------	-------------

SmartLEWIS™ MCU (single channel) Transmitter & Microcontroller

PMA7105	SP000450408	PMA7105XUMA1	PG-TSSOP-38	315/434/ 868/915	ASK/FSK	5.0/8.0/10.0	-40 ... +85
PMA7106	SP000450410	PMA7106XUMA1	PG-TSSOP-38	315/434/ 868/915	ASK/FSK	5.0/8.0/10.0	-40 ... +85
PMA7107	SP000450412	PMA7107XUMA1	PG-TSSOP-38	315/434/ 868/915	ASK/FSK	5.0/8.0/10.0	-40 ... +85
PMA7110	SP000430596	PMA7110XUMA1	PG-TSSOP-38	315/434/ 868/915	ASK/FSK	5.0/8.0/10.0	-40 ... +85

SmartLEWIS™ MCU Transmitter & Microcontroller, Extended Temperature Range and Qualification

PMA5105	SP000463432	PMA5105XUMA1	PG-TSSOP-38	315/434/ 868/915	ASK/FSK	5.0/8.0/10.0	-40 ... +125
PMA5110	SP000373573	PMA5110XUMA1	PG-TSSOP-38	315/434/ 868/915	ASK/FSK	5.0/8.0/10.0	-40 ... +125

SMD = Surface Mounted Device

Type	Ordering Code	Orderable Part Number	Package	Description			
				Frequency Band MHz	Modulation Type	Transmit Power (at 3V) dBm	Operating Temperature Range °C

Wireless Control**Transceiver (single channel)**

TDA5250	SP000012956	TDA5250XUMA1	PG-TSSOP-38	868	ASK/FSK	9.0	-40 ... +85
TDA5251	SP000014554	TDA5251XUMA1	PG-TSSOP-38	315	ASK/FSK	9.0	-40 ... +85
TDA5252	SP000057332	TDA5252XUMA1	PG-TSSOP-38	915	ASK/FSK	9.0	-40 ... +85
TDA5255	SP000014555	TDA5255XUMA1	PG-TSSOP-38	434	ASK/FSK	9.0	-40 ... +85
TDA7255V	SP000698114	TDA7255VXUMA1	PG-VQFN-40	434	ASK/FSK	9.0	-40 ... +85

SmartLEWIS™ TRX (multi channel) Transceiver with Digital Baseband Processing

TDA5340	SP000803722	TDA5340XUMA1	PG-TSSOP-28	315/434/ 470/868/ 915/959	ASK/FSK/ GSFK	14.0	-40 ... +110
---------	-------------	--------------	-------------	---------------------------------	------------------	------	--------------

SMD = Surface Mounted Device

Chip Card & Security ICs

Smart Card Memories	223
Contactless Products	224
Embedded Security.....	227

Type	Ordering Code	Orderable Part Number	Package	Description
Smart Card Memories				
Data Carrier ICs with Sampe Code				
◆ SLE 5528 M3.2	SP000268874	SLE5528M32XHSA2	T-M3.2-6-1	Intelligent 1024-byte EEPROM with write protection function and Programmable Security Code (PSC), will replace SLE 4428
◆ SLE 5532 M3.2	SP000232944	SLE5532M32XHSA2	T-M3.2-6-1	Intelligent 256-byte EEPROM with write protection function, will replace SLE 4432
◆ SLE 5542 M3.2	SP000232943	SLE5542M32XHSA2	T-M3.2-6-1	Intelligent 256-byte EEPROM with write protection function and Programmable Security Code (PSC), will replace SLE 4442

SMD = Surface Mounted Device

Chip Card & Security ICs

Type	Ordering Code	Orderable Part Number	Package	Description
Contactless Products				
Contactless Memories my-d™ vicinity				
◆ SRF 55V02P NB	SP000405806	SRF55V02PNBX1SA7	wafer sawn	Intelligent 2.5-Kbit EEPROM with contactless interface complying to ISO/IEC 15693 and ISO/IEC18000-3 mode 1
◆ SRF 55V02P MCC2	SP000430934	SRF55V02PMCC2XHSA1	P-MCC2-2-1	
◆ SRF 55V02P MCC8	SP000520644	SRF55V02PMCC8XHSA1	P-MCC8-2-1	
◆ SRF 55V02P HC NB	SP000245649	SRF55V02PHCNBX1SA1	wafer sawn	Intelligent 2.5-Kbit EEPROM with contactless interface complying to ISO/IEC 15693 and ISO/IEC18000-3 mode 1, high input capacitance
◆ SRF 55V02P HC MCC2	SP000630956	SRF55V02PHCMCC2ZZZA1	P-MCC2-2-1	
◆ SRF 55V02S NB	SP000622602	SRF55V02SNBX1SA3	wafer sawn	Intelligent 2.5-Kbit EEPROM with contactless interface complying to ISO/IEC 15693 and ISO/IEC18000-3 mode 1 and security logic, security algorithm, 64-bit key length, selective memory access control, 32-bit MAC, transport key
◆ SRF 55V02S MCC8	SP000712968	SRF55V02SMCC8ZZZA1	P-MCC8-2-1	
◆ SRF 55V02S HC NB	SP000657790	SRF55V02SHCNBX1SA1	wafer sawn	Intelligent 2.5-Kbit EEPROM with contactless interface complying to ISO/IEC 15693 and ISO/IEC18000-3 mode 1 and security logic, security algorithm, 64-bit key length, selective memory access control, 32-bit MAC, transport key, high input capacitance
◆ SRF 55V10P C	SP000292810	SRF55V10PCX6SA3	wafer	Intelligent 10-Kbit EEPROM with contactless interface complying to ISO/IEC 15693 and ISO/IEC18000-3 mode 1
◆ SRF 55V10P NB	SP000606192	SRF55V10PNBX1SA2	wafer sawn	
◆ SRF 55V10P MCC2	SP000430930	SRF55V10PMCC2XHSA2	P-MCC2-2-1	
◆ SRF 55V10P MCC8	SP000520654	SRF55V10PMCC8XHSA1	P-MCC8-2-1	
◆ SRF 55V10P HC NB	SP000315963	SRF55V10PHCNBX1SA1	wafer sawn	
◆ SRF 55V10S NB	SP000614132	SRF55V10SNBX1SA1	wafer sawn	Intelligent 10-Kbit EEPROM with contactless interface complying to ISO/IEC 15693 and security logic, security algorithm, 64-bit key length, selective memory access control, 32-bit MAC, transport key
◆ SRF 55V10S MCC2	SP000860226	SRF55V10SMCC2XHSA1	P-MCC2-2-1	
◆ SRF 55V10S MCC8	SP000722238	SRF55V10SMCC8ZZZA1	P-MCC8-2-1	
◆ SRF 55V10S HC NB	SP000614128	SRF55V10SHCNBX1SA1	wafer sawn	Intelligent 10-Kbit EEPROM with contactless interface complying to ISO/IEC 15693 and security logic, security algorithm, 64-bit key length, selective memory access control, 32-bit MAC, transport key, high input capacitance

Contactless Memories Phase Jitter Modulation (PJM)

◆ SRF 66V10ST C	SP000213589	SRF66V10STCX6SA1	wafer	Intelligent 10-Kbit EEPROM with contactless interface enhancement of ISO/IEC 18000-3 mode 2, stack tag
◆ SRF 66V10ST C	SP001005854	SRF66V10STCX1SA1	wafer sawn	
◆ SRF 66V10ST NB	SP000206820	SRF66V10STNBX1SA1	wafer sawn	

SMD = Surface Mounted Device

Type	Ordering Code	Orderable Part Number	Package	Description
------	---------------	-----------------------	---------	-------------

Contactless Products

Contactless Memories my-d™ move and my-d™ move NFC

◆ SLE 66R01LN NB	SP000953268	SLE66R01LNNBX1SA1	wafer sawn	Intelligent 576-bit EEPROM with contactless interface complying to ISO/IEC 14443 type A and support of NFC Forum type 2 tag operation initialized state, non reversible
◆ SLE 66R01PN NB	SP000953914	SLE66R01PNNBX1SA2	wafer sawn	Intelligent 1.216-bit EEPROM with contactless interface complying to ISO/IEC 14443 type A and support of NFC Forum type 2 tag operation initialized state, non-reversible

Contactless Memories MIFARE™ compatible

◆▼ SLE 66R35 MCC8I	SP000921134	SLE66R35MCC8IXHSA1	P-MCC8-2-6	Intelligent 1-Kbyte EEPROM with contactless interface complying to ISO/IEC 14443 type A and MIFARE™ compatibility featuring a 4-byte non UID, mutual three pass authentication with 48-bit keys
◆▼ SLE 66R35E7 MCC2	SP000883304	SLE66R35E7MCC2ZZZA1	P-MCC2-2-1	Intelligent 1-Kbyte EEPROM with contactless interface complying to ISO/IEC 14443 type A and MIFARE™ compatibility featuring a 7-byte unique ID
◆▼ SLE 66R35I MCC8	SP000893184	SLE66R35IMCC8XHSA1	P-MCC8-2-6	Intelligent 1-Kbyte EEPROM with contactless interface complying to ISO/IEC 14443 type A and MIFARE™ compatibility featuring a 4-byte non unique ID
◆ SLE 66R35R MCC2	SP000907630	SLE66R35RMCC2XHSA1	P-MCC2-2-1	Intelligent 1-Kbyte EEPROM with contactless interface complying to ISO/IEC 14443 type A and MIFARE™ compatibility featuring a 4-byte reused ID
◆ SLE 66R35R MCC8	SP000907710	SLE66R35RMCC8XHSA1	P-MCC8-2-3	Intelligent 1-Kbyte EEPROM with contactless interface complying to ISO/IEC 14443 type A and MIFARE™ compatibility featuring a 4-byte reused ID
◆ SLE 66R35R MCC8	SP000907732	SLE66R35RMCC8IXHSA1	P-MCC8-2-6	Intelligent 1-Kbyte EEPROM with contactless interface complying to ISO/IEC 14443 type A and MIFARE™ compatibility featuring a 4-byte reused ID

SMD = Surface Mounted Device

Chip Card & Security ICs

Type	Ordering Code	Orderable Part Number	Package	Description
------	---------------	-----------------------	---------	-------------

Contactless Products

Contactless Memories my-d™ NFC

◆▼ SLE 66R16P MCC2	SP000410330	SLE66R16PMCC2ZZZA1	P-MCC2-2-1	Intelligent 2048-byte EEPROM with contactless interface complying to ISO/IEC 14443 type A and support of NFC Forum type 2 tag operation, (up to 1024 bytes NFC memory)
◆ SLE 66R16P MCC8I	SP000953280	SLE66R16PMCC8IXHSA1	P-MCC8-2-6	
◆ SLE 66R32P NB	SP000410340	SLE66R32PMCC2ZZZA1	wafer	Intelligent 4096-byte EEPROM with contactless interface complying to ISO/IEC 14443 type A and support of NFC Forum type 2 tag operation, (up to 2048 bytes NFC memory)
◆▼ SLE 66R32P MCC8I	SP000953284	SLE66R32PMCC8IXHSA1	P-MCC8-2-6	

Contactless Memories my-d™ proximity 2

◆ SLE 66R04S NB	SP000410344	SLE66R04SNBZZZA1	wafer	Intelligent 512-byte EEPROM with contactless interface complying to ISO/IEC 14443 type A
◆ SLE 66R16S MCC2	SP000410360	SLE66R16SMCC2XHSA1	P-MCC2-2-1	Intelligent 2048-byte EEPROM with contactless interface complying to ISO/IEC 14443 type A
◆ SLE 66R16S MCC8	SP000671906	SLE66R16SMCC8XHSA1	P-MCC2-8-1	
◆ SLE 66R32S NB	SP000410364	SLE66R32SNBZZZA1	wafer	Intelligent 4096-byte EEPROM with contactless interface complying to ISO/IEC 14443 type A
◆ SLE 66R32S MCC2	SP000410368	SLE66R32SMCC2ZZZA1	P-MCC2-2-1	Intelligent 4096-byte EEPROM with contactless interface complying to ISO/IEC 14443 type A
◆ SLE 66R32S MCC8	SP000714848	SLE66R32SMCC8ZZZA1	P-MCC2-8-1	

Components for Contactless Terminals

◆ SLF 9620 M5.1	SP000949930	SLF9620M51XHSA1	T-M5.1-8-1	Security access module with ISO/IEC 7816 interface supporting MIFARE™ compatible my-d™ algorithm, 3DES and AES128
◆ SLF 9620 VQFN8A	SP000949926	SLF9620VQFN8AXUMA1	PG-VQFN-8	

SMD = Surface Mounted Device

Type	Ordering Code	Orderable Part Number	Package	Description
Embedded Security				
OPTIGA™ Trust Family				
◆ SLS10ERE USON 3	SP001094082	SLS10EREUSON3XTMA1	PG-USON-3-1	Turn-key authentication IC, strong asymmetric cryptography with ECC 163 bit key length, turn-key solution including host side software for easy integration, 3.5-kbit user NVM

◆ For complete Chip Card ICs product portfolio please visit: www.infineon.com/security

SMD = Surface Mounted Device

Summary of Types

Type	Ordering Code	Orderable Part Number	Page	Type	Ordering Code	Orderable Part Number	Page	
Numerics				BAR64-06 (Dual)	3k	SP000012213	BAR6406E6327HTSA1	177
1ED020112-B2	SP000898878	1ED020112B2XUMA1	146	BAR64-06W (Dual)	3k	SP000743444	BAR6406WH6327XTSA1	177
1ED020112-BT	SP0009220032	1ED020112BTXUMA1	146	BAR65-02V	3k	SP000743446	BAR6502VH6327XTSA1	177
1ED020112-F	SP000922444	1ED020112FXUMA2	146	BAR65-03W	3k	SP000010186	BAR6503WE6327HTSA1	177
1ED020112-F2	SP000920028	1ED020112F2XUMA1	146	BAR66 (Dual)	10k	SP000737168	BAR66E6433HTMA1	177
1ED020112-FT	SP000920030	1ED020112FTXUMA1	146	BAR66 (Dual)	3k	SP000010187	BAR66E6327HTSA1	177
1ED020112FA2	SP001080574	1ED020112FA2XUMA2	146	BAR67-02V	3k	SP000743448	BAR6702VH6327XTSA1	177
1ED020112FTA	SP001054670	1ED020112FTA2XUMA2	146	BAR67-04 (Dual)	3k	SP000268691	BAR6704E6327HTSA1	177
1EDI30J12CL	SP000914420	1EDI30J12CLXUMA1	146	BAR74	3k	SP000010202	BAR74E6327HTSA1	200
1EDI30J12CP	SP000923984	1EDI30J12CPXUMA1	146	BAR81W	3k	SP000743450	BAR81WH6327XTSA1	177
2ED020106-F1	SP000776988	2ED020106FXUMA1	146	BAR88-02LRH	15k	SP000051042	BAR8802LRHE6327XTSA1	177
2ED020112-F2	SP000920036	2ED020112F2XUMA1	146	BAR88-02V	3k	SP000743452	BAR8802VH6327XTSA1	177
2ED020112-F1	SP000265782	2ED020112FXUMA1	146	BAR89-02LRH	15k	SP000051043	BAR8902LRHE6327XTSA1	177
2ED020112FA	SP001054678	2ED020112FAXUMA2	146	BAR89-02LRH	50k	SP000083407	BAR8902LRHE6433XTMA1	177
2EDL05I06BF	SP001070344	2EDL05I06BFXUMA1	147	BAR90-02EL	15k	SP001114994	BAR9002ELE6327XTMA1	177
2EDL05I06PF	SP001048832	2EDL05I06PFXUMA1	147	BAR90-02ELS	15k	SP000870276	BAR9002ELSE6327XTSA1	177
2EDL05I06PJ	SP001114156	2EDL05I06PJXUMA1	147	BAR90-02LRH	15k	SP000051045	BAR9002LRHE6327XTSA1	177
2EDL05N06PF	SP001048830	2EDL05N06PFXUMA1	147	BAS116	10k	SP000010196	BAS116E6433HTMA1	201
2EDL05N06PJ	SP001114078	2EDL05N06PJXUMA1	147	BAS116	3k	SP000010194	BAS116E6327HTSA1	201
2EDL23I06PJ	SP001080086	2EDL23I06PJXUMA1	147	BAS125-04W (Dual)	3k	SP000749598	BAS12504WH6327XTSA1	189
2EDL23N06PJ	SP001080088	2EDL23N06PJXUMA1	147	BAS125-05W (Dual)	3k	SP000749600	BAS12505WH6327XTSA1	189
2N7002	SP000929182	2N7002H6327XTSA2	96	BAS125-07W (Dual)	3k	SP000749602	BAS12507WH6327XTSA1	189
2N7002DW	SP000917596	2N7002DWH6327XTSA1	96	BAS140W	3k	SP000010199	BAS140WE6327HTSA1	189
B				BAS16-02L	15k	SP000013548	BAS1602LE6327XTMA1	200
6ED003L02-F2	SP000919390	6ED003L02F2XUMA1	146	BAS16-02V	3k	SP000752008	BAS1602VH6327XTSA1	200
6ED003L06-F2	SP000929928	6ED003L06F2XUMA1	146	BAS16-02W	3k	SP000752010	BAS1602WH6327XTSA1	200
6EDL04I06NT	SP000926082	6EDL04I06NTXUMA1	146	BAS16-03W	3k	SP000010213	BAS1603WE6327HTSA1	200
6EDL04I06PT	SP000926088	6EDL04I06PTXUMA1	146	BAS16	10k	SP000010201	BAS16E6433HTMA1	200
6EDL04N02PR	SP000926072	6EDL04N02PRXUMA1	146	BAS16S	3k	SP000010203	BAS16E6327HTSA1	200
6EDL04N06PT	SP000926102	6EDL04N06PTXUMA1	146	BAS16S (Triple)	3k	SP000753162	BAS16SH6327XTSA1	200
BA592	10k	SP000010142	178	BAS16S (Triple)	3k	SP000753164	BAS16SH6727XTSA1	200
BA592	3k	SP000010141	178	BAS16U (Triple)	3k	SP000012608	BAS16UE6327HTSA1	200
BA595	10k	SP000010148	178	BAS16W	10k	SP000753168	BAS16WH6433XTMA1	200
BA595	3k	SP000010146	178	BAS16W	3k	SP000753166	BAS16WH6327XTSA1	200
BA885	3k	SP000010151	178	BAS170W	3k	SP000010216	BAS170WE6327HTSA1	189
BA892-02V	3k	SP000745054	178	BAS21-03W	10k	SP000082470	BAS2103WE6433HTMA1	200
BA892-02V	8k	SP000745052	178	BAS21-03W	3k	SP000012522	BAS2103WE6327HTSA1	200
BA892	10k	SP000734328	178	BAS21	10k	SP000010219	BAS21E6433HTMA1	200
BA892	3k	SP000734344	178	BAS21	3k	SP000010217	BAS21E6327HTSA1	200
BA892	3k	SP000745044	178	BAS21U (Triple)	10k	SP000471142	BAS21UE6433HTMA1	200
BA892	8k	SP000745042	178	BAS21U (Triple)	3k	SP000012610	BAS21UE6327HTSA1	200
BA895	3k	SP000745062	178	BAS28 (Dual)	10k	SP000010228	BAS28E6433HTMA1	200
BAL74	3k	SP000014992	200	BAS28 (Dual)	3k	SP000010225	BAS28E6327HTSA1	200
BAL99	10k	SP000010161	200	BAS28W (Dual)	3k	SP000753170	BAS28WH6327XTSA1	200
BAL99	3k	SP000010159	200	BAS3005A-02V	3k	SP000749684	BAS3005A02VH6327XTSA1	189
BAR14-1 (Dual)	3k	SP000010164	178	BAS3005B-02V	3k	SP000749682	BAS3005B02VH6327XTSA1	189
BAR15-1 (Dual)	3k	SP000010163	178	BAS3005S-02LRH	15k	SP000472478	BAS3005S02LRHE6327XTSA1	189
BAR16-1 (Dual)	3k	SP000010165	178	BAS3007A-RPP	3k	SP0000356003	BAS3007ARPPE6327HTSA1	201
BAR50-02V	3k	SP000742882	177	BAS3010A-03W	3k	SP000068629	BAS3010A03WE6327HTSA1	189
BAR50-03W	3k	SP000012920	177	BAS3010B-03W	3k	SP000068630	BAS3010B03WE6327HTSA1	189
BAR61 (Triple)	3k	SP000010169	178	BAS3010S-02LRH	15k	SP000472480	BAS3010S02LRHE6327XTSA1	189
BAR63-02L	15k	SP000013537	177	BAS3020B	3k	SP000749686	BAS3020BH6327XTSA1	189
BAR63-02V	3k	SP000742888	177	BAS40-02L	15k	SP000013549	BAS4002LE6327XTMA1	189
BAR63-02W	3k	SP000742890	177	BAS40-04 (Dual)	10k	SP000010243	BAS4004E6433HTMA1	189
BAR63-03W	3k	SP000010172	177	BAS40-04 (Dual)	3k	SP000010241	BAS4004E6327HTSA1	189
BAR63-04 (Dual)	3k	SP000012206	177	BAS40-05 (Dual)	10k	SP000010242	BAS4005E6433HTMA1	189
BAR63-04W (Dual)	3k	SP000742896	177	BAS40-05 (Dual)	3k	SP000010240	BAS4005E6327HTSA1	189
BAR63-05 (Dual)	3k	SP000012207	177	BAS40-05W (Dual)	3k	SP000749762	BAS4005WH6327XTSA1	189
BAR63-05W (Dual)	3k	SP000766086	177	BAS40-06 (Dual)	10k	SP000010244	BAS4006E6433HTMA1	189
BAR63-06 (Dual)	3k	SP000012208	177	BAS40-06 (Dual)	3k	SP000010239	BAS4006E6327HTSA1	189
BAR63-06W (Dual)	3k	SP000743402	177	BAS40-06W (Dual)	3k	SP000749764	BAS4006WH6327XTSA1	189
BAR64-02EL	15k	SP001114996	177	BAS40-07 (Dual)	3k	SP000010245	BAS4007E6327HTSA1	189
BAR64-02LRH	15k	SP000051041	177	BAS40-07W (Dual)	3k	SP000749806	BAS4007WH6327XTSA1	189
BAR64-02V	3k	SP000743408	177	BAS4002A-RPP	3k	SP000443736	BAS4002ARPPE6327HTSA1	201
BAR64-03W	3k	SP000010179	177	BAS4002S-02LRH	15k	SP000472476	BAS4002S02LRHE6327XTSA1	189
BAR64-04 (Dual)	3k	SP000012211	177	BAS40	10k	SP000010233	BAS40E6433HTMA1	189
BAR64-04W (Dual)	3k	SP000743414	177	BAS40	3k	SP000010235	BAS40E6327HTSA1	189
BAR64-05 (Dual)	10k	SP000012214	177	BAS52-02V	10k	SP000749810	BAS5202VH6433XTMA1	189
BAR64-05 (Dual)	3k	SP000012212	177	BAS52-02V	3k	SP000749808	BAS5202VH6327XTSA1	189
BAR64-05W (Dual)	3k	SP000734362	177	BAS70-02L	15k	SP000013550	BAS7002LE6327XTMA1	190
				BAS70-02W (Dual)	3k	SP000749812	BAS7002WH6327XTSA1	190
				BAS70-04 (Dual)	10k	SP000010256	BAS7004E6433HTMA1	190
				BAS70-04 (Dual)	3k	SP000010253	BAS7004E6327HTSA1	190



Summary of Types

Type	Ordering Code	Orderable Part Number	Page	Type	Ordering Code	Orderable Part Number	Page		
BAS70-04S (Quad)	3k	SP000749814	BAS7004SH6327XTSA1	190	BAV170 (Dual)	3k	SP000010325	BAV170E6327HTSA1	201
BAS70-04S (Quad)	3k	SP000749818	BAS7004SH6827XTSA1	190	BAV199 (Dual)	10k	SP000010330	BAV199E6433HTMA1	201
BAS70-04W (Dual)	3k	SP000749820	BAS7004WH6327XTSA1	190	BAV199 (Dual)	3k	SP000010326	BAV199E6327HTSA1	201
BAS70-05 (Dual)	10k	SP000078827	BAS7005E6433HTMA1	190	BAV70 (Dual)	10k	SP000014924	BAV70E6433HTMA1	200
BAS70-05 (Dual)	3k	SP000010252	BAS7005E6327HTSA1	190	BAV70 (Dual)	3k	SP000014923	BAV70E6327HTSA1	200
BAS70-05W (Dual)	3k	SP000749822	BAS7005WH6327XTSA1	190	BAV70S (Quad)	3k	SP000753172	BAV70SH6327XTSA1	200
BAS70-06 (Dual)	10k	SP000010260	BAS7006E6433HTMA1	190	BAV70S (Quad)	3k	SP000753176	BAV70SH627XTSA1	200
BAS70-06 (Dual)	3k	SP000010254	BAS7006E6327HTSA1	190	BAV70S (Quad)	3k	SP000753178	BAV70SH6827XTSA1	200
BAS70-06W (Dual)	3k	SP000749824	BAS7006WH6327XTSA1	190	BAV70U (Quad)	3k	SP000012931	BAV70UE6327HTSA1	200
BAS70-07 (Dual)	10k	SP000010269	BAS7007E6433HTMA1	190	BAV70W (Dual)	10k	SP000754044	BAV70WH6433XTMA1	200
BAS70-07 (Dual)	3k	SP000010266	BAS7007E6327HTSA1	190	BAV70W (Dual)	3k	SP000754042	BAV70WH6327XTSA1	200
BAS70-07W (Dual)	3k	SP000749826	BAS7007WH6327XTSA1	190	BAV99S (Quad)	10k	SP000754048	BAV99SH6433XTMA1	200
BAS70	10k	SP000010248	BAS70E6433HTMA1	190	BAV99S (Quad)	3k	SP000754046	BAV99SH6327XTSA1	200
BAS70	3k	SP000010247	BAS70E6327HTSA1	190	BAV99U (Quad)	3k	SP000012613	BAV99UE6327HTSA1	200
BAT15-02LRH	15k	SP000055124	BAT1502LRHE6327XTSA1	183	BAW101 (Dual)	10k	SP000010364	BAW101E6433HTMA1	200
BAT15-02LS	70k	SP000703608	BAT1502LSE6433XTMA1	183	BAW101 (Dual)	3k	SP000010363	BAW101E6327HTSA1	200
BAT15-03W	3k	SP000010272	BAT1503WE6327HTSA1	183	BAW156 (Dual)	3k	SP000010327	BAW156E6327HTSA1	201
BAT15-04R	3k	SP000960186	BAT1504RE6152HTSA1	183	BAW56S (Quad)	3k	SP000754060	BAW56SH6327XTSA1	200
BAT15-04R	3k	SP000659920	BAT1504RE6327HTSA1	183	BAW56S (Quad)	3k	SP000754064	BAW56SH627XTSA1	200
BAT15-04W (Dual)	3k	SP000743458	BAT1504WH6327XTSA1	183	BAW56U (Quad)	10k	SP000492394	BAW56UE6433HTMA1	200
BAT15-05W (Dual)	3k	SP000743460	BAT1505WH6327XTSA1	183	BAW56U (Quad)	3k	SP000014993	BAW56UE6327HTSA1	200
BAT15-099 (Dual)	10k	SP000010275	BAT15099E6433HTMA1	183	BAW78D	1k	SP000010370	BAW78DE6327HTSA1	201
BAT15-099 (Dual)	3k	SP000010273	BAT15099E6327HTSA1	183	BAW79D (Dual)	1k	SP000014594	BAW79DE6327HTSA1	201
BAT15-099R (Dual)	3k	SP000010276	BAT15099RE6327HTSA1	183	BB439 matched	3k	SP000010372	BB439E6327HTSA1	179
BAT165	3k	SP000010277	BAT165E6327HTSA1	189	BB535 matched	3k	SP000010375	BB535E7904HTSA1	179
BAT17-04 (Dual)	3k	SP000010283	BAT1704E6327HTSA1	183	BB535 matched	3k	SP000010377	BB535E7908HTSA1	179
BAT17-04W (Dual)	3k	SP000743462	BAT1704WH6327XTSA1	183	BB535 unmatched	3k	SP000010374	BB535E7907HTMA1	179
BAT17-05 (Dual)	3k	SP000010285	BAT1705E6327HTSA1	183	BB545 matched	3k	SP000010383	BB545E7904HTSA1	179
BAT17-05W (Dual)	3k	SP000743464	BAT1705WH6327XTSA1	183	BB555 matched	3k	SP000733802	BB555H7902XTSA1	179
BAT17-06W (Dual)	3k	SP000743466	BAT1706WH6327XTSA1	183	BB555 matched	8k	SP000745068	BB555H7912XTSA1	179
BAT17-07 (Dual)	3k	SP000010289	BAT1707E6327HTSA1	183	BB555-02V matched	3k	SP000745088	BB55502VH7902XTSA1	179
BAT17	3k	SP000010280	BAT17E6327HTSA1	183	BB555-02V matched	8k	SP000745092	BB55502VH7912XTSA1	179
BAT18-04 (Dual)	3k	SP000010290	BAT1804E6327HTSA1	178	BB565 matched	3k	SP000745094	BB565H7902XTSA1	179
BAT18-05 (Dual)	3k	SP000010291	BAT1805E6327HTSA1	178	BB565 matched	8k	SP000842826	BB565H7912XTSA1	179
BAT24-02LS	15k	SP000304927	BAT2402LSE6327XTSA1	183	BB565 unmatched	3k	SP000745096	BB565H7908XTSA1	179
BAT240A (Dual)	10k	SP000426394	BAT240AE6433HTMA1	190	BB565-02V matched	3k	SP000745098	BB56502VH7902XTSA1	179
BAT240A (Dual)	3k	SP000010292	BAT240AE6327HTSA1	190	BB639 matched	3k	SP000010401	BB639E7904HTSA1	180
BAT54-02LRH	15k	SP000234099	BAT5402LRHE6327XTSA1	190	BB639C matched	3k	SP000010396	BB639CE7904HTSA1	180
BAT54-02V	3k	SP000749828	BAT5402VH6327XTSA1	190	BB639C unmatched	3k	SP000010398	BB639CE7908HTSA1	180
BAT54-03W	3k	SP000426668	BAT5403WE6327HTSA1	190	BB640 matched	3k	SP000010406	BB640E6327HTSA1	180
BAT54-04 (Dual)	3k	SP000068500	BAT5404E6327HTSA1	190	BB644 matched	3k	SP000010411	BB644E7904HTSA1	180
BAT54-04W (Dual)	3k	SP000749830	BAT5404WH6327XTSA1	190	BB659 matched	3k	SP000745102	BB659H7902XTSA1	180
BAT54-05 (Dual)	3k	SP000068509	BAT5405E6327HTSA1	190	BB659C matched	10k	SP000734342	BB659CH7903XTMA1	180
BAT54-05W (Dual)	3k	SP000749832	BAT5405WH6327XTSA1	190	BB659C matched	3k	SP000734324	BB659CH7902XTSA1	180
BAT54-06 (Dual)	3k	SP000068510	BAT5406E6327HTSA1	190	BB659C matched	8k	SP000745104	BB659CH7912XTSA1	180
BAT54-06W (Dual)	3k	SP000749834	BAT5406WH6327XTSA1	190	BB659C-02V matched	3k	SP000745108	BB659C02VH7902XTSA1	180
BAT54	3k	SP000068499	BAT54E6327HTSA1	190	BB659C-02V matched	8k	SP000745112	BB659C02VH7912XTSA1	180
BAT54W (Dual)	3k	SP000786162	BAT54WH6327XTSA1	190	BB659C-02V unmatched	3k	SP000745110	BB659C02VH7908XTSA1	180
BAT60A	3k	SP000010294	BAT60AE6327HTSA1	189	BB664 matched	3k	SP000745114	BB664H7902XTSA1	180
BAT60B	3k	SP000010296	BAT60BE6327HTSA1	189	BB664-02V matched	3k	SP000745118	BB66402VH7902XTSA1	180
BAT62-02LS	15k	SP000273996	BAT6202LSE6327XTSA1	183	BB669 matched	3k	SP000010419	BB669E7904HTSA1	180
BAT62-02W	3k	SP000743522	BAT6202WH6327XTSA1	183	BB689 matched	3k	SP000734326	BB689H7902XTSA1	180
BAT62-03W	3k	SP000010303	BAT6203WE6327HTSA1	183	BB689 matched	8k	SP000842828	BB689H7912XTSA1	180
BAT62-07L4 (Dual)	3k	SP000077202	BAT6207L4E6433XTMA1	183	BB689 unmatched	3k	SP000745122	BB689H7908XTSA1	180
BAT62-07W (Dual)	3k	SP000743524	BAT6207WH6327XTSA1	183	BB689-02V matched	3k	SP000745124	BB68902VH7902XTSA1	180
BAT62	3k	SP000010300	BAT62E6327HTSA1	183	BB689-02V unmatched	3k	SP000745126	BB68902VH7908XTSA1	180
BAT63-02V	3k	SP000743526	BAT6302VH6327XTSA1	183	BB804SF1 (Dual)	3k	SP000010425	BB804SF1E6327HTSA1	179
BAT63-07W	3k	SP000743534	BAT6307WH6327XTSA1	183	BB804SF2 (Dual)	3k	SP000010426	BB804SF2E6327HTSA1	179
BAT64-02W	3k	SP000749836	BAT6402WH6327XTSA1	190	BB814GR1 (Dual)	3k	SP000010433	BB814E6327GR1HTSA1	179
BAT64-04 (Dual)	10k	SP000010314	BAT6404E6433HTMA1	190	BB814GR2 (Dual)	3k	SP000010435	BB814E6327GR2HTSA1	179
BAT64-04 (Dual)	3k	SP000010309	BAT6404E6327HTSA1	190	BB831	3k	SP000012250	BB831E7904HTSA1	179
BAT64-04W (Dual)	3k	SP000749838	BAT6404WH6327XTSA1	190	BB833	3k	SP000010437	BB833E6327HTSA1	179
BAT64-05 (Dual)	3k	SP000010310	BAT6405E6327HTSA1	190	BB837	3k	SP000010441	BB837E6327HTSA1	179
BAT64-05W (Dual)	3k	SP000749840	BAT6405WH6327XTSA1	190	BB844 (Dual)	3k	SP000013388	BB844E6327HTSA1	179
BAT64-06 (Dual)	3k	SP000010311	BAT6406E6327HTSA1	190	BB857 matched	3k	SP000745128	BB857H7902XTSA1	179
BAT64-06W (Dual)	3k	SP000749842	BAT6406WH6327XTSA1	190	BB914 (Dual)	3k	SP000010445	BB914E6327HTSA1	179
BAT64	3k	SP000010307	BAT64E6327HTSA1	190	BBY51-02W	3k	SP000743540	BBY5102WH6327XTSA1	181
BAT68-04 (Dual)	3k	SP000010320	BAT6804E6327HTSA1	183	BBY51-03W	3k	SP000010453	BBY5103WE6327HTSA1	181
BAT68-04W (Dual)	3k	SP000743536	BAT6804WH6327XTSA1	183	BBY52-02L	15k	SP000014591	BBY5202LE6327XTMA1	181
BAT68-06 (Dual)	3k	SP000010322	BAT6806E6327HTSA1	183	BBY52-02L	15k	SP000621074	BBY5202LE6816XTMA1	181
BAT68-06W (Dual)	3k	SP000743538	BAT6806WH6327XTSA1	183	BBY52-02W	3k	SP000743548	BBY5202WH6327XTSA1	181
BAT68	3k	SP000012514	BAT68E6327HTSA1	183	BBY53-02L	15k	SP000014592	BBY5302LE6327XTMA1	181
BAV170 (Dual)	10k	SP000010332	BAV170E6433HTMA1	201	BBY53-02V	3k	SP000743550	BBY5302VH6327XTSA1	181

Summary of Types

Type	Ordering Code	Orderable Part Number	Page	Type	Ordering Code	Orderable Part Number	Page		
BBY53-02W	3k	SP000743552	BBY5302WH6327XTSA1	181	BC856S	3k	SP000747446	BC856SH6327XTSA1	195
BBY53-03W	3k	SP000010461	BBY5303WE6327HTSA1	181	BC856U	3k	SP000012620	BC856UE6327HTSA1	195
BBY53-05W (Dual)	3k	SP000743554	BBY5305WH6327XTSA1	181	BC857A	3k	SP000010639	BC857AE6327HTSA1	194
BBY55-02V	3k	SP000743556	BBY5502VH6327XTSA1	181	BC857B	10k	SP000010648	BC857BE6433HTMA1	194
BBY55-02W	3k	SP000743558	BBY5502WH6327XTSA1	181	BC857B	3k	SP000010633	BC857BE6327HTSA1	194
BBY55-03W	3k	SP000012238	BBY5503WE6327HTSA1	181	BC857BL3	3k	SP000013556	BC857BL3E6327XTMA1	194
BBY56-02W	3k	SP000734340	BBY5602WH6327XTSA1	181	BC857BW	3k	SP000747448	BC857BWH6327XTSA1	194
BBY56-03W	3k	SP000012239	BBY5603WE6327HTSA1	181	BC857BW	3k	SP000747450	BC857BWH6778XTSA1	194
BBY57-02V	3k	SP000743560	BBY5702VH6327XTSA1	181	BC857C	10k	SP000010660	BC857CE6433HTMA1	194
BBY57-02W	3k	SP000743562	BBY5702WH6327XTSA1	181	BC857C	3k	SP000010640	BC857CE6327HTSA1	194
BBY57-05W (Dual)	3k	SP000743564	BBY5705WH6327XTSA1	181	BC857CW	10k	SP000747454	BC857CWH6433XTMA1	194
BBY58-02V	3k	SP000743566	BBY5802VH6327XTSA1	181	BC857CW	3k	SP000747452	BC857CWH6327XTSA1	194
BBY58-02W	3k	SP000743570	BBY5802WH6327XTSA1	181	BC857S	10k	SP000747576	BC857SH6433XTMA1	195
BBY58-03W	3k	SP000012240	BBY5803WE6327HTSA1	181	BC857S	3k	SP000747456	BC857SH6327XTSA1	195
BBY58-05W (Dual)	3k	SP000743572	BBY5805WH6327XTSA1	181	BC857S	3k	SP000747580	BC857SH6827XTSA1	195
BBY58-06W (Dual)	3k	SP000743574	BBY5806WH6327XTSA1	181	BC858A	3k	SP000010636	BC858AE6327HTSA1	194
BBY65-02V	3k	SP000743576	BBY6502VH6327XTSA1	181	BC858B	10k	SP000010652	BC858BE6433HTMA1	194
BBY66-02V	3k	SP000743580	BBY6602VH6327XTSA1	181	BC858B	3k	SP000010634	BC858BE6327HTSA1	194
BBY66-05W	3k	SP000743582	BBY6605WH6327XTSA1	181	BC858BW	3k	SP000747582	BC858BWH6327XTSA1	194
BC807U	3k	SP000012395	BC807UE6327HTSA1	196	BC858C	10k	SP000010654	BC858CE6433HTMA1	194
BC817K-16	10k	SP000271829	BC817K16E6433HTMA1	196	BC858C	3k	SP000010624	BC858CE6327HTSA1	194
BC817K-16	3k	SP000271788	BC817K16E6327HTSA1	196	BC858CW	3k	SP000747584	BC858CWH6327XTSA1	194
BC817K-16W	3k	SP000786164	BC817K16WH6327XTSA1	196	BC859C	3k	SP000010637	BC859CE6327HTSA1	194
BC817K-25	10k	SP000271879	BC817K25E6433HTMA1	196	BC860B	3k	SP000010642	BC860BE6327HTSA1	198
BC817K-25	3k	SP000271875	BC817K25E6327HTSA1	196	BC860BW	3k	SP000747586	BC860BWH6327XTSA1	198
BC817K-25W	10k	SP000786166	BC817K25WH6433XTMA1	196	BC860CW	3k	SP000747588	BC860CWH6327XTSA1	198
BC817K-25W	3k	SP000746848	BC817K25WH6327XTSA1	196	BCM846S	3k	SP000747590	BCM846SH6327XTSA1	198
BC817K-40	10k	SP000271898	BC817K40E6433HTMA1	196	BCM856S	10k	SP000747594	BCM856SH6433XTMA1	198
BC817K-40	3k	SP000271895	BC817K40E6327HTSA1	196	BCM856S	3k	SP000747592	BCM856SH6327XTSA1	198
BC817K-40W	3k	SP000746850	BC817K40WH6327XTSA1	196	BCM856S	3k	SP000747596	BCM856SH6778XTSA1	198
BC817SU	3k	SP000296413	BC817SUE6327HTSA1	196	BCP29	1k	SP000010883	BCV29E6327HTSA1	199
BC817U	3k	SP000012394	BC817UE6327HTSA1	196	BCP49	1k	SP000010685	BCP49E6327HTSA1	199
BC817UPN	3k	SP000012398	BC817UPNE6327HTSA1	196	BCP51-16	1k	SP000010694	BCP5116E6327HTSA1	197
BC818K-16W	3k	SP000746852	BC818K16WH6327XTSA1	196	BCP51-16	4k	SP000010703	BCP5116E6433HTMA1	197
BC818K-40	3k	SP000271908	BC818K40E6327HTSA1	196	BCP51	1k	SP000010692	BCP51E6327HTSA1	197
BC846PN	3k	SP000746856	BC846PNH6327XTSA1	195	BCP52-16	1k	SP000010696	BCP5216E6327HTSA1	197
BC846S	10k	SP000746926	BC846SH6433XTMA1	195	BCP53-10	1k	SP000010697	BCP5310E6327HTSA1	197
BC846S	3k	SP000746922	BC846SH6327XTSA1	195	BCP53-16	1k	SP000010698	BCP5316E6327HTSA1	197
BC846S	3k	SP000746928	BC846SH6727XTSA1	195	BCP53-16	4k	SP000010702	BCP5316E6433HTMA1	197
BC846U	3k	SP000012619	BC846UE6327HTSA1	195	BCP54-16	1k	SP000010709	BCP5416E6327HTSA1	197
BC846UPN	3k	SP000012621	BC846UPNE6327HTSA1	195	BCP54-16	4k	SP000010717	BCP5416E6433HTMA1	197
BC847A	3k	SP000010571	BC847AE6327HTSA1	194	BCP54	1k	SP000010707	BCP54E6327HTSA1	197
BC847B	10k	SP000010576	BC847BE6433HTMA1	194	BCP55-16	1k	SP000010711	BCP5516E6327HTSA1	197
BC847B	3k	SP000010559	BC847BE6327HTSA1	194	BCP55	1k	SP000010713	BCP55E6327HTSA1	197
BC847BL3	15k	SP000013553	BC847BL3E6327XTMA1	194	BCP56-10	1k	SP000010712	BCP5610E6327HTSA1	197
BC847BW	10k	SP000746932	BC847BWH6433XTMA1	194	BCP56-16	1k	SP000010706	BCP5616E6327HTSA1	197
BC847BW	3k	SP000746930	BC847BWH6327XTSA1	194	BCP69-25	1k	SP000015154	BCP6925E6327HTSA1	197
BC847C	10k	SP000010590	BC847CE6433HTMA1	194	BCR08PN	10k	SP000750770	BCR08PNH6433XTMA1	192
BC847C	3k	SP000010565	BC847CE6327HTSA1	194	BCR08PN	3k	SP000750766	BCR08PNH6327XTSA1	192
BC847CW	10k	SP000747284	BC847CWH6433XTMA1	194	BCR08PN	3k	SP000750772	BCR08PNH6727XTSA1	192
BC847CW	3k	SP000746934	BC847CWH6327XTSA1	194	BCR108	10k	SP000010737	BCR108E6433HTMA1	191
BC847CW	3k	SP000747286	BC847CWH6778XTSA1	194	BCR108	3k	SP000010736	BCR108E6327HTSA1	191
BC847PN	10k	SP000747292	BC847PNH6433XTMA1	195	BCR108S	3k	SP000750774	BCR108SH6327XTSA1	192
BC847PN	3k	SP000747288	BC847PNH6327XTSA1	195	BCR108W	10k	SP000757882	BCR108WH6433XTMA1	191
BC847PN	3k	SP000747296	BC847PNH6727XTSA1	195	BCR108W	3k	SP000750780	BCR108WH6327XTSA1	191
BC847S	10k	SP000747404	BC847SH6433XTMA1	195	BCR10PN	10k	SP000750788	BCR10PNH6730XTMA1	192
BC847S	3k	SP000747298	BC847SH6327XTSA1	195	BCR10PN	3k	SP000750782	BCR10PNH6327XTSA1	192
BC847S	3k	SP000747406	BC847SH6727XTSA1	195	BCR10PN	3k	SP000750786	BCR10PNH6727XTSA1	192
BC848A	3k	SP000010568	BC848AE6327HTSA1	194	BCR112	3k	SP000010747	BCR112E6327HTSA1	191
BC848B	10k	SP000010581	BC848BE6433HTMA1	194	BCR112W	3k	SP000750790	BCR112WH6327XTSA1	191
BC848B	3k	SP000010561	BC848BE6327HTSA1	194	BCR116	10k	SP000010751	BCR116E6433HTMA1	191
BC848BL3	15k	SP000013554	BC848BL3E6327XTMA1	194	BCR116	3k	SP000010749	BCR116E6327HTSA1	191
BC848BW	3k	SP000747410	BC848BWH6327XTSA1	194	BCR116S	3k	SP000752050	BCR116SH6327XTSA1	192
BC848C	10k	SP000010582	BC848CE6433HTMA1	194	BCR116W	3k	SP000754072	BCR116WH6327XTSA1	191
BC848C	3k	SP000010552	BC848CE6327HTSA1	194	BCR119	3k	SP000010752	BCR119E6327HTSA1	191
BC848CW	3k	SP000747412	BC848CWH6327XTSA1	194	BCR119S	10k	SP000755042	BCR119SH6433XTMA1	192
BC849B	3k	SP000010567	BC849BE6327HTSA1	194	BCR119S	3k	SP000754074	BCR119SH6327XTSA1	192
BC849C	3k	SP000010564	BC849CE6327HTSA1	194	BCR119W	3k	SP000755044	BCR119WH6327XTSA1	191
BC849CW	3k	SP000747414	BC849CWH6327XTSA1	194	BCR129	3k	SP000012520	BCR129E6327HTSA1	191
BC850B	3k	SP000010572	BC850BE6327HTSA1	194	BCR129S	3k	SP000755046	BCR129SH6327XTSA1	192
BC850BW	3k	SP000747416	BC850BWH6327XTSA1	194	BCR129W	3k	SP000755048	BCR129WH6327XTSA1	191
BC850C	3k	SP000010563	BC850CE6327HTSA1	194	BCR133	10k	SP000010759	BCR133E6433HTMA1	191
BC850CW	3k	SP000747418	BC850CWH6327XTSA1	194	BCR133	3k	SP000010757	BCR133E6327HTSA1	191



Summary of Types

Type	Ordering Code	Orderable Part Number	Page	Type	Ordering Code	Orderable Part Number	Page		
BCR133S	10k	SP000755082	BCR133SH6433XTMA1	192	BCR512	3k	SP000010844	BCR512E6327HTSA1	193
BCR133S	3k	SP000755050	BCR133SH6327XTSA1	192	BCR521	3k	SP000010845	BCR521E6327HTSA1	193
BCR133W	3k	SP000756246	BCR133WH6327XTSA1	191	BCR523	10k	SP000010852	BCR523E6433HTMA1	193
BCR135	10k	SP000010767	BCR135E6433HTMA1	191	BCR523	3k	SP000010851	BCR523E6327HTSA1	193
BCR135	3k	SP000010765	BCR135E6327HTSA1	191	BCR523U	10k	SP000662374	BCR523UE6433HTMA1	193
BCR135S	3k	SP000756248	BCR135SH6327XTSA1	192	BCR523U	3k	SP000013381	BCR523UE6327HTSA1	193
BCR135W	3k	SP000756252	BCR135WH6327XTSA1	191	BCR533	3k	SP000010853	BCR533E6327HTSA1	193
BCR141	10k	SP000010771	BCR141E6433HTMA1	191	BCR553	3k	SP000010854	BCR553E6327HTSA1	193
BCR141	3k	SP000010769	BCR141E6327HTSA1	191	BCR555	10k	SP000010857	BCR555E6433HTMA1	193
BCR141S	3k	SP000756256	BCR141SH6327XTSA1	192	BCR555	3k	SP000010855	BCR555E6327HTSA1	193
BCR141W	3k	SP000756258	BCR141WH6327XTSA1	191	BCR562	3k	SP000010859	BCR562E6327HTSA1	193
BCR142	3k	SP000010775	BCR142E6327HTSA1	191	BCR573	10k	SP000010860	BCR573E6433HTMA1	193
BCR142W	3k	SP000756260	BCR142WH6327XTSA1	191	BCR573	3k	SP000010861	BCR573E6327HTSA1	193
BCR146	3k	SP000010777	BCR146E6327HTSA1	191	BCR583	3k	SP000012278	BCR583E6327HTSA1	193
BCR148	10k	SP000426390	BCR148E6433HTMA1	191	BCV26	3k	SP000010874	BCV26E6327HTSA1	199
BCR148	3k	SP000010780	BCR148E6327HTSA1	191	BCV27	3k	SP000010865	BCV27E6327HTSA1	199
BCR148S	10k	SP000756264	BCR148SH6433XTMA1	192	BCV28	1k	SP000010879	BCV28E6327HTSA1	199
BCR148S	3k	SP000756262	BCR148SH6327XTSA1	192	BCV46	3k	SP000010873	BCV46E6327HTSA1	199
BCR148W	3k	SP000756268	BCR148WH6327XTSA1	191	BCV47	10k	SP000010864	BCV47E6433HTMA1	199
BCR158	3k	SP000010784	BCR158E6327HTSA1	191	BCV47	3k	SP000010866	BCV47E6327HTSA1	199
BCR158W	3k	SP000750762	BCR158WH6327XTSA1	191	BCV48	1k	SP000010880	BCV48E6327HTSA1	199
BCR162	3k	SP000010785	BCR162E6327HTSA1	191	BCV49	1k	SP000010882	BCV49E6327HTSA1	199
BCR166	10k	SP000010791	BCR166E6433HTMA1	191	BCV61B	10k	SP000010888	BCV61BE6433HTMA1	198
BCR166	3k	SP000010788	BCR166E6327HTSA1	191	BCV61B	3k	SP000010886	BCV61BE6327HTSA1	198
BCR166W	3k	SP000750764	BCR166WH6327XTSA1	191	BCV61C	3k	SP000010887	BCV61CE6327HTSA1	198
BCR169	3k	SP000010793	BCR169E6327HTSA1	191	BCV62A	3k	SP000010889	BCV62AE6327HTSA1	198
BCR169S	3k	SP000756842	BCR169SH6327XTSA1	192	BCV62B	10k	SP000010893	BCV62BE6433HTMA1	198
BCR169W	3k	SP000756844	BCR169WH6327XTSA1	191	BCV62B	3k	SP000010890	BCV62BE6327HTSA1	198
BCR183	10k	SP000010796	BCR183E6433HTMA1	191	BCV62C	3k	SP000010891	BCV62CE6327HTSA1	198
BCR183	3k	SP000010794	BCR183E6327HTSA1	191	BCW60B	3k	SP000010551	BCW60BE6327HTSA1	195
BCR183S	10k	SP000756886	BCR183SH6433XTMA1	192	BCW60C	3k	SP000010548	BCW60CE6327HTSA1	195
BCR183S	3k	SP000756882	BCR183SH6327XTSA1	192	BCW60D	3k	SP000010549	BCW60DE6327HTSA1	195
BCR183U	3k	SP000012552	BCR183UE6327HTSA1	192	BCW60FF	3k	SP000010554	BCW60FFE6327HTSA1	198
BCR183W	3k	SP000757002	BCR183WH6327XTSA1	191	BCW61A	3k	SP000010621	BCW61AE6327HTSA1	195
BCR185	10k	SP000010807	BCR185E6433HTMA1	191	BCW61B	3k	SP000010629	BCW61BE6327HTSA1	195
BCR185	3k	SP000010806	BCR185E6327HTSA1	191	BCW61C	3k	SP000010622	BCW61CE6327HTSA1	195
BCR185S	3k	SP000757888	BCR185SH6327XTSA1	192	BCW61D	3k	SP000010627	BCW61DE6327HTSA1	195
BCR185W	3k	SP000757894	BCR185WH6327XTSA1	191	BCW66KF	3k	SP000271902	BCW66KFE6327HTSA1	196
BCR191	3k	SP000010810	BCR191E6327HTSA1	191	BCW66KG	3k	SP000271904	BCW66KGE6327HTSA1	196
BCR191W	3k	SP000757896	BCR191WH6327XTSA1	191	BCW66KH	10x3k	SP000271905	BCW66KHE6327HTLA1	196
BCR192	3k	SP000010812	BCR192E6327HTSA1	192	BCW66KH	3k	SP000271906	BCW66KHE6327HTSA1	196
BCR192W	3k	SP000757898	BCR192WH6327XTSA1	192	BCW67B	3k	SP000015035	BCW67BE6327HTSA1	196
BCR196	3k	SP000014762	BCR196E6327HTSA1	192	BCW67C	3k	SP000015037	BCW67CE6327HTSA1	196
BCR196W	3k	SP000757902	BCR196WH6327XTSA1	192	BCW68F	3k	SP000015041	BCW68FE6327HTSA1	196
BCR198	10k	SP000010820	BCR198E6433HTMA1	192	BCW68G	3k	SP000015039	BCW68GE6327HTSA1	196
BCR198	3k	SP000010817	BCR198E6327HTSA1	192	BCW68H	3k	SP000015040	BCW68HE6327HTSA1	196
BCR198S	3k	SP000757904	BCR198SH6327XTSA1	192	BCX41	10k	SP000010896	BCX41E6433HTMA1	199
BCR198W	3k	SP000757912	BCR198WH6327XTSA1	192	BCX41	3k	SP000010894	BCX41E6327HTSA1	199
BCR205W	3k	SP000866560	BCR205WH6327XTSA1	205	BCX42	10k	SP000010902	BCX42E6433HTMA1	199
BCR22PN	10k	SP000757920	BCR22PNH6433XTMA1	192	BCX42	3k	SP000010900	BCX42E6327HTSA1	199
BCR22PN	3k	SP000757916	BCR22PNH6327XTSA1	192	BCX51-16	1k	SP000014827	BCX5116E6327HTSA1	197
BCR320U	3k	SP000665920	BCR320UE6327HTSA1	205	BCX51-16	4k	SP000913728	BCX5116E6433HTMA1	197
BCR321U	3k	SP000665918	BCR321UE6327HTSA1	205	BCX51	1k	SP000014826	BCX51E6327HTSA1	197
BCR35PN	10k	SP000757928	BCR35PNH6433XTMA1	192	BCX52-16	1k	SP000014830	BCX5216E6327HTSA1	197
BCR35PN	3k	SP000757922	BCR35PNH6327XTSA1	192	BCX52-16	4k	SP000463248	BCX5216E6433HTMA1	197
BCR400W	3k	SP000745168	BCR400WH6327XTSA1	173	BCX52	1k	SP000014828	BCX52E6327HTSA1	197
BCR401R	10k	SP000839202	BCR401RE6433HTMA1	205	BCX53-10	1k	SP000010908	BCX5310E6327HTSA1	197
BCR401R	3k	SP000013678	BCR401RE6327HTSA1	205	BCX53-16	1k	SP000010907	BCX5316E6327HTSA1	197
BCR401U	3k	SP000311546	BCR401UE6327HTSA1	205	BCX53-16	4k	SP000010909	BCX5316E6433HTMA1	197
BCR401W	3k	SP000745174	BCR401WH6327XTSA1	205	BCX53	1k	SP000010906	BCX53E6327HTSA1	197
BCR402R	10k	SP000839204	BCR402RE6433HTMA1	205	BCX54-16	1k	SP000010918	BCX5416E6327HTSA1	197
BCR402R	3k	SP000013057	BCR402RE6327HTSA1	205	BCX55-16	1k	SP000010920	BCX5516E6327HTSA1	197
BCR402U	3k	SP000013482	BCR402UE6327HTSA1	205	BCX55-16	4k	SP000010922	BCX5516E6433HTMA1	197
BCR402W	3k	SP000745922	BCR402WH6327XTSA1	205	BCX55	1k	SP000010916	BCX55E6327HTSA1	197
BCR405U	3k	SP000013481	BCR405UE6327HTSA1	205	BCX56-10	1k	SP000010915	BCX5610E6327HTSA1	197
BCR410W	3k	SP000745924	BCR410WH6327XTSA1	173	BCX56-16	1k	SP000010913	BCX5616E6327HTSA1	197
BCR420U	3k	SP000665924	BCR420UE6327HTSA1	205	BCX56-16	4k	SP000017942	BCX5616E6433HTMA1	197
BCR421U	3k	SP000665922	BCR421UE6327HTSA1	205	BCX56	1k	SP000010914	BCX56E6327HTSA1	197
BCR450	3k	SP000394437	BCR450E6327HTSA1	205	BCX68-10	1k	SP000010924	BCX6810E6327HTSA1	197
BCR48PN	10k	SP000757932	BCR48PNH6433XTMA1	192	BCX68-16	1k	SP000010925	BCX6816E6327HTSA1	197
BCR48PN	3k	SP000757930	BCR48PNH6327XTSA1	192	BCX68-25	1k	SP000010926	BCX6825E6327HTSA1	197
BCR503	3k	SP000010839	BCR503E6327HTSA1	193	BCX69-10	1k	SP000010928	BCX6910E6327HTSA1	197
BCR505	3k	SP000010841	BCR505E6327HTSA1	193	BCX69-16	1k	SP000010929	BCX6916E6327HTSA1	197

Summary of Types

Type	Ordering Code	Orderable Part Number	Page	Type	Ordering Code	Orderable Part Number	Page		
BCX69-25	1k	SP000010930	BCX6925E6327HTSA1	197	BFP640	3k	SP000745306	BFP640H6327XTSA1	172
BCX70G	3k	SP000010555	BCX70GE6327HTSA1	195	BFP640ESD	3k	SP000785482	BFP640ESDH6327XTSA1	172
BCX70H	10k	SP000010578	BCX70HE6433HTMA1	195	BFP640F	3k	SP000750404	BFP640FH6327XTSA1	172
BCX70H	3k	SP000010550	BCX70HE6327HTSA1	195	BFP640FESD	3k	SP000890034	BFP640FESDH6327XTSA1	172
BCX70J	10k	SP000010573	BCX70JE6433HTMA1	195	BFP650	3k	SP000750406	BFP650H6327XTSA1	173
BCX70J	3k	SP000010556	BCX70JE6327HTSA1	195	BFP650F	3k	SP000750408	BFP650FH6327XTSA1	173
BCX70K	3k	SP000010558	BCX70KE6327HTSA1	195	BFP720	3k	SP000750410	BFP720H6327XTSA1	172
BCX71G	3k	SP000010623	BCX71GE6327HTSA1	195	BFP720ESD	3k	SP000785484	BFP720ESDH6327XTSA1	172
BCX71H	3k	SP000010631	BCX71HE6327HTSA1	195	BFP720F	3k	SP000750412	BFP720FH6327XTSA1	172
BCX71J	10k	SP000010647	BCX71JE6433HTMA1	195	BFP720FESD	3k	SP000853562	BFP720FESDH6327XTSA1	172
BCX71J	3k	SP000010625	BCX71JE6327HTSA1	195	BFP740	3k	SP000750414	BFP740H6327XTSA1	172
BCX71K	3k	SP000010632	BCX71KE6327HTSA1	195	BFP740ESD	3k	SP000785486	BFP740ESDH6327XTSA1	172
BDP947	1k	SP000010931	BDP947E6327HTSA1	197	BFP740F	3k	SP000750416	BFP740FH6327XTSA1	173
BDP948	1k	SP000010938	BDP948E6327HTSA1	197	BFP740FESD	3k	SP000890036	BFP740FESDH6327XTSA1	172
BDP948	4k	SP000010943	BDP948E6433HTMA1	197	BFP760	3k	SP001023768	BFP760H6327XTSA1	173
BDP949	1k	SP000010932	BDP949E6327HTSA1	197	BFP840ESD	3k	SP000943010	BFP840ESDH6327XTSA1	172
BDP950	1k	SP000010939	BDP950E6327HTSA1	197	BFP840FESD	3k	SP000977846	BFP840FESDH6327XTSA1	172
BDP953	1k	SP000010934	BDP953E6327HTSA1	197	BFP842ESD	3k	SP000943012	BFP842ESDH6327XTSA1	172
BDP954	1k	SP000010941	BDP954E6327HTSA1	197	BFP843	3k	SP001062586	BFP843H6327XTSA1	172
BF1005	3k	SP000010946	BF1005E6327HTSA1	182	BFP843F	3k	SP001062606	BFP843FH6327XTSA1	172
BF1005S	3k	SP000010949	BF1005SE6327HTSA1	182	BFR19S	1k	SP000011042	BFR19SE6327HTSA1	173
BF1009S	3k	SP000010955	BF1009SE6327HTSA1	182	BFR106	3k	SP000011044	BFR106E6327HTSA1	173
BF1009SR	3k	SP000010956	BF1009SRE6327HTSA1	182	BFR181	3k	SP000011047	BFR181E6327HTSA1	171
BF2030	3k	SP000012219	BF2030E6814HTSA1	182	BFR181W	3k	SP000750418	BFR181WH6327XTSA1	171
BF2030W	3k	SP000752012	BF2030WH6814XTSA1	182	BFR182	3k	SP000011051	BFR182E6327HTSA1	171
BF2040	3k	SP000012215	BF2040E6814HTSA1	182	BFR182W	3k	SP000750420	BFR182WH6327XTSA1	171
BF2040R	3k	SP000012216	BF2040RE6814HTSA1	182	BFR183	3k	SP000011054	BFR183E6327HTSA1	171
BF2040W	3k	SP000753484	BF2040WH6814XTSA1	182	BFR183W	3k	SP000750422	BFR183WH6327XTSA1	171
BF5020W	3k	SP000753486	BF5020WH6327XTSA1	182	BFR193	3k	SP000011056	BFR193E6327HTSA1	173
BF5030W	3k	SP000753488	BF5030WH6327XTSA1	182	BFR193F	3k	SP000750424	BFR193FH6327XTSA1	173
BF517	3k	SP000010958	BF517E6327HTSA1	171	BFR193L3	3k	SP000013557	BFR193L3E6327XTMA1	173
BF771	3k	SP000010967	BF771E6327HTSA1	173	BFR193W	3k	SP000734404	BFR193WH6327XTSA1	173
BF799	3k	SP000010973	BF799E6327HTSA1	173	BFR340F	3k	SP000750426	BFR340FH6327XTSA1	171
BF799W	3k	SP000734406	BF799WH6327XTSA1	173	BFR340L3	15k	SP000013558	BFR340L3E6327XTMA1	171
BF998	3k	SP000010978	BF998E6327HTSA1	182	BFR35AP	3k	SP000011060	BFR35APE6327HTSA1	171
BF998R	3k	SP000010979	BF998RE6327HTSA1	182	BFR360F	3k	SP000750428	BFR360FH6327XTSA1	171
BF999	10k	SP000426300	BF999E6433HTMA1	182	BFR360F	3k	SP000750442	BFR360FH6765XTSA1	171
BF999	3k	SP000010985	BF999E6327HTSA1	182	BFR360L3	15k	SP000013561	BFR360L3E6765XTMA1	171
BFN18	1k	SP000010997	BFN18E6327HTSA1	199	BFR380F	15k	SP000750444	BFR380FH6327XTSA1	173
BFN19	1k	SP000010998	BFN19E6327HTSA1	199	BFR380L3	15k	SP000013562	BFR380L3E6327XTMA1	173
BFN24	3k	SP000014784	BFN24E6327HTSA1	199	BFR460L3	15k	SP000014238	BFR460L3E6327XTMA1	171
BFN26	3k	SP000014785	BFN26E6327HTSA1	199	BFR720L3RH	3k	SP000463888	BFR720L3RHE6327XTSA1	172
BFN27	3k	SP000014782	BFN27E6327HTSA1	199	BFR740L3RH	15k	SP000252393	BFR740L3RHE6327XTSA1	172
BFN38	1k	SP000011006	BFN38E6327HTSA1	199	BFR750L3RH	15k	SP000252588	BFR750L3RHE6327XTSA1	172
BFN39	1k	SP000014781	BFN39E6327HTSA1	199	BFR840L3RHESD	15k	SP000978848	BFR840L3RHE6327XTSA1	172
BFP181	3k	SP000011013	BFP181E7764HTSA1	171	BFR92P	3k	SP000011062	BFR92PE6327HTSA1	171
BFP182R	3k	SP000011016	BFP182RE7764HTSA1	171	BFR92W	3k	SP000750446	BFR92WH6327XTSA1	171
BFP182W	3k	SP000745176	BFP182WH6327XTSA1	171	BFR93A	3k	SP000011066	BFR93AE6327HTSA1	173
BFP183	3k	SP000011018	BFP183E7764HTSA1	171	BFR93AW	3k	SP000734402	BFR93AWH6327XTSA1	173
BFP183W	3k	SP000745244	BFP183WH6327XTSA1	171	BFS17P	3k	SP000011073	BFS17PE6327HTSA1	171
BFP193	3k	SP000011024	BFP193E6327HTSA1	173	BFS17S	3k	SP000750448	BFS17SH6327XTSA1	171
BFP193W	3k	SP000745248	BFP193WH6327XTSA1	173	BFS17W	3k	SP000750450	BFS17WH6327XTSA1	171
BFP196	3k	SP000011027	BFP196E6327HTSA1	173	BFS481	3k	SP000750462	BFS481H6327XTSA1	171
BFP196W	3k	SP000745250	BFP196WH6327XTSA1	173	BFS483	3k	SP000750464	BFS483H6327XTSA1	171
BFP405	3k	SP000745254	BFP405H6327XTSA1	171	BG3123	3k	SP000753490	BG3123H6327XTSA1	182
BFP405	3k	SP000745256	BFP405H6740XTSA1	171	BG3123R	3k	SP000753492	BG3123RH6327XTSA1	182
BFP405F	3k	SP000745258	BFP405FH6327XTSA1	171	BG3130	3k	SP000753494	BG3130H6327XTSA1	182
BFP410	3k	SP000762244	BFP410H6327XTSA1	171	BG3130R	3k	SP000753496	BG3130RH6327XTSA1	182
BFP420	10k	SP000745262	BFP420H6433XTMA1	171	BG3430R	3k	SP000753498	BG3430RH6327XTSA1	182
BFP420	3k	SP000745260	BFP420H6327XTSA1	171	BG5120K	3k	SP000753500	BG5120KH6327XTSA1	182
BFP420	3k	SP000745264	BFP420H6740XTSA1	171	BG5412K	3k	SP000753502	BG5412KH6327XTSA1	182
BFP420	3k	SP000745266	BFP420H6801XTSA1	171	BGA231N7	6k	SP001067512	BGA231N7E6330XTSA1	175
BFP420F	3k	SP000745268	BFP420FH6327XTSA1	171	BGA231N7	7.5k	SP001069624	BGA231N7E6327XTSA2	175
BFP450	10k	SP000745272	BFP450H6433XTMA1	173	BGA416	3k	SP000013607	BGA416E6327HTSA1	175
BFP450	3k	SP000745270	BFP450H6327XTSA1	173	BGA420	3k	SP000753504	BGA420H6327XTSA1	175
BFP460	3k	SP000745276	BFP460H6327XTSA1	171	BGA427	3k	SP000753506	BGA427H6327XTSA1	175
BFP520	3k	SP000745280	BFP520H6327XTSA1	171	BGA428	3k	SP000753508	BGA428H6327XTSA1	175
BFP520F	3k	SP000745282	BFP520FH6327XTSA1	171	BGA461	7.5k	SP000463628	BGA461E6327XTSA1	175
BFP540	3k	SP000745288	BFP540H6327XTSA1	171	BGA612	3k	SP000753510	BGA612H6327XTSA1	175
BFP540ESD	3k	SP000745298	BFP540ESDH6327XTSA1	171	BGA614	3k	SP000753512	BGA614H6327XTSA1	175
BFP540FESD	3k	SP000745300	BFP540FESDH6327XTSA1	171	BGA616	3k	SP000753514	BGA616H6327XTSA1	175
BFP620	3k	SP000745302	BFP620H7764XTSA1	172	BGA622	3k	SP000753516	BGA622H6820XTSA1	175
BFP620F	3k	SP000745304	BFP620FH7764XTSA1	172	BGA622L7	7.5k	SP000017535	BGA622L7E6327XTSA1	175



Summary of Types

Type	Ordering Code	Orderable Part Number	Page	Type	Ordering Code	Orderable Part Number	Page	
BGA711N7	7.5k	SP0001061040	BGA711N7E6327XTSA1	176	BSC011N03LSI	SP000884574	BSC011N03LSIATMA1	91
BGA713N7	7.5k	SP0001061042	BGA713N7E6327XTSA1	176	BSC014N03LS G	SP000394677	BSC014N03LSGATMA1	91
BGA715N7	7.5k	SP001071580	BGA715N7E6327XTSA2	175	BSC014N03MS G	SP000394681	BSC014N03MSGATMA1	93
BGA725L6	15k	SP000942752	BGA725L6E6327FTSA1	175	BSC014N04LS	SP000871196	BSC014N04LSATMA1	94
BGA728L7	7.5k	SP000409848	BGA728L7E6327XTSA1	175	BSC014N04LSI	SP000953212	BSC014N04LSIATMA1	94
BGA734L16	7.5k	SP000293791	BGA734L16E6327XTSA1	176	BSC014N06NS	SP000924886	BSC014N06NSATMA1	95
BGA735N16	7.5k	SP000659248	BGA735N16E6327XTSA1	176	BSC014NE2LSI	SP000911336	BSC014NE2LSIATMA1	90
BGA736L16	7.5k	SP000366348	BGA736L16E6327XTSA1	176	BSC016N03LS G	SP000237663	BSC016N03LSGATMA1	91
BGA748L16	7.5k	SP000608112	BGA748L16E6327XTSA1	176	BSC016N03MS G	SP000311502	BSC016N03MSGATMA1	93
BGA749N16	7.5k	SP000765164	BGA749N16E6327XTSA1	176	BSC016N04LS G	SP000394801	BSC016N04LSGATMA1	94
BGA751N7	7.5k	SP001061044	BGA751N7E6327XTSA1	176	BSC016N06NS	SP000924882	BSC016N06NSATMA1	95
BGA771L16	7.5k	SP000417116	BGA771L16E6327XTSA1	176	BSC017N04NS G	SP000394684	BSC017N04NSGATMA1	94
BGA777N7	7.5k	SP001061046	BGA777N7E6327XTSA1	176	BSC018N04LS G	SP000388293	BSC018N04LSGATMA1	94
BGA824N6	15k	SP001079364	BGA824N6E6327XTSA1	175	BSC018NE2LS	SP000756336	BSC018NE2LSATMA1	90
BGA825L6S	15k	SP001012810	BGA825L6SE6327XTSA1	175	BSC018NE2LSI	SP000906030	BSC018NE2LSIATMA1	90
BGA915N7	7.5k	SP000849368	BGA915N7E6327XTMA1	175	BSC019N02KS G	SP000307376	BSC019N02KSGAUMA1	90
BGA925L6	15k	SP000902116	BGA925L6E6327XTSA1	175	BSC019N04LS	SP001067012	BSC019N04LSATMA1	94
BGB707L7ESD	7.5k	SP000531308	BGB707L7ESDE6327XTSA1	176	BSC019N04NS G	SP000388299	BSC019N04NSGATMA1	94
BGB717L7ESD	20k	SP000638992	BGB717L7ESDE6433XTMA1	176	BSC020N03LS G	SP000237662	BSC020N03LSGATMA1	91
BGB717L7ESD	7.5k	SP000555608	BGB717L7ESDE6327XTSA1	176	BSC020N03LS G	SP000959514	BSC020N03LSGATMA2	91
BGB719N7ESD	7.5k	SP000942784	BGB719N7ESDE6327XTMA1	176	BSC020N03MS G	SP000311503	BSC020N03MSGATMA1	93
BGB741L7ESD	7.5k	SP000442946	BGB741L7ESDE6327XTSA1	176	BSC022N04LS	SP001059844	BSC022N04LSATMA1	94
BGF120A	4.5k	SP000662368	BGF120AE6327XTSA1	185	BSC024NE2LS	SP000756342	BSC024NE2LSATMA1	90
BGF148	7.5k	SP001033192	BGF148E6327XTSA1	186	BSC025N03LS G	SP000269781	BSC025N03LSGATMA1	91
BGM1032N7	3k	SP000884092	BGM1032N7E6327XUSA1	175	BSC025N03MS G	SP000311505	BSC025N03MSGATMA1	93
BGM1033N7	3k	SP000892662	BGM1033N7E6327XUSA1	175	BSC026N02KS G	SP000379664	BSC026N02KSGAUMA1	90
BGM1034N7	3k	SP000906264	BGM1034N7E6327XUSA1	175	BSC026N04LS	SP001067014	BSC026N04LSATMA1	94
BGM1043N7	3k	SP000974632	BGM1043N7E6327XUSA1	175	BSC027N04LS G	SP000354810	BSC027N04LSGATMA1	94
BGM7HHMH4L12	7.5k	SP001160600	BGM7HHMH4L12E6327XTSA1	176	BSC028N06LS3 G	SP000453652	BSC028N06LS3GATMA1	95
BGM7LLHM4L12	7.5k	SP001160598	BGM7LLHM4L12E6327XTSA1	176	BSC028N06NS	SP000917416	BSC028N06NSATMA1	95
BGM7LMHM4L12	7.5k	SP001160602	BGM7LMHM4L12E6327XTSA1	176	BSC030N03LS G	SP000237661	BSC030N03LSGATMA1	91
BGM7MLLH4L12	7.5k	SP001160604	BGM7MLLH4L12E6327XTSA1	176	BSC030N03MS G	SP000311506	BSC030N03MSGATMA1	93
BGM7MLLM4L12	7.5k	SP001160606	BGM7MLLM4L12E6327XTSA1	176	BSC030N04NS G	SP000354811	BSC030N04NSGATMA1	94
BGR405	3k	SP000750466	BGR405H6327XTSA1	173	BSC030P03NS3 G	SP000442470	BSC030P03NS3GAUMA1	116
BGR420	3k	SP000750468	BGR420H6327XTSA1	173	BSC031N06NS3 G	SP000451482	BSC031N06NS3GATMA1	95
BGS12AL7-4	7.5k	SP000427434	BGS12AL74E6327XTSA1	174	BSC032N04LS	SP001067018	BSC032N04LSATMA1	94
BGS12AL7-6	7.5k	SP000531668	BGS12AL76E6327XTMA1	174	BSC032NE2LS	SP000854378	BSC032NE2LSATMA1	90
BGS12PL6	15k	SP001003644	BGS12PL6E6327XTSA1	174	BSC034N03LS G	SP000475948	BSC034N03LSGATMA1	91
BGS12SL6	15k	SP001030986	BGS12SL6E6327XTSA1	174	BSC034N06NS	SP001067010	BSC034N06NSATMA1	95
BGS12SN6	15k	SP001068580	BGS12SN6E6327XTSA1	174	BSC035N04LS G	SP000391503	BSC035N04LSGATMA1	94
BGS13SL9	7.5k	SP001003646	BGS13SL9E6327XTSA1	174	BSC036NE7NS3 G	SP000907920	BSC036NE7NS3GATMA1	97
BGS14AN16	3k	SP001078872	BGS14AN16E6327XTSA1	174	BSC039N06NS	SP000985386	BSC039N06NSATMA1	95
BGS15AN16	7.5k	SP000795644	BGS15AN16E6327XTSA1	174	BSC042N03LS G	SP000302864	BSC042N03LSGATMA1	91
BGS22W2L10	7.5k	SP001000962	BGS22W2L10E6327XTSA1	174	BSC042N03MS G	SP000311512	BSC042N03MSGATMA1	93
BGS22WL10	7.5k	SP000977020	BGS22WL10E6327XTSA1	174	BSC042NE7NS3 G	SP000657440	BSC042NE7NS3GATMA1	97
BGSF110GN26	2k	SP001006660	BGSF110GN26E6327XTSA1	174	BSC046N02KS G	SP000379666	BSC046N02KSGAUMA1	90
BGSF1717MN26	2k	SP001135902	BGSF1717MN26E6327XTSA1	174	BSC046N10NS3 G	SP000907922	BSC046N10NS3GATMA1	98
BGSF18DM20	4k	SP000837138	BGSF18DM20E6327XTSA1	174	BSC047N08NS3 G	SP000436372	BSC047N08NS3GATMA1	97
BGSF18DM20	4k	SP000971912	BGSF18DM20E6727XTSA1	174	BSC050N03LS G	SP000269785	BSC050N03LSGATMA1	91
BGT24MR2	1k	SP001140088	BGT24MR2E6327XTSA1	176	BSC050N03MS G	SP000311507	BSC050N03MSGATMA1	93
BGT24MTR11	1k	SP001140086	BGT24MTR11E6327XTSA1	176	BSC050N04LS G	SP000354806	BSC050N04LSGATMA1	94
BGT24MTR12	1k	SP001140084	BGT24MTR12E6327XTSA1	176	BSC050NE2LS	SP000756340	BSC050NE2LSATMA1	90
BGX50 A	3k	SP000011092	BGX50AE6327HTSA1	201	BSC052N03LS	SP000807602	BSC052N03LSATMA1	91
BSB008NE2LX		SP000880866	BSB008NE2LXXUMA1	90	BSC054N04NS G	SP000354808	BSC054N04NSGATMA1	94
BSB012N03LX3 G		SP000597846	BSB012N03LX3GXUMA1	91	BSC057N03LS G	SP000275113	BSC057N03LSGATMA1	91
BSB012NE2LX		SP000756344	BSB012NE2LXXUMA1	90	BSC057N03MS G	SP000311513	BSC057N03MSGATMA1	93
BSB012NE2LXI		SP001034232	BSB012NE2LXIXUMA1	90	BSC057N08NS3 G	SP000447542	BSC057N08NS3GATMA1	97
BSB013NE2LXI		SP000756346	BSB013NE2LXIXUMA1	90	BSC059N04LS G	SP000391499	BSC059N04LSGATMA1	94
BSB014N04LX3 G		SP000597850	BSB014N04LX3GXUMA1	94	BSC060N10NS3 G	SP000446584	BSC060N10NS3GATMA1	98
BSB015N04NX3 G		SP000597852	BSB015N04NX3GXUMA1	94	BSC060P03NS3E G	SP000472984	BSC060P03NS3EGATMA1	116
BSB017N03LX3 G		SP000604468	BSB017N03LX3GXUMA1	91	BSC066N06NS	SP001067000	BSC066N06NSATMA1	95
BSB028N06NN3 G		SP000605956	BSB028N06NN3GXUMA1	95	BSC067N06LS3 G	SP000451084	BSC067N06LS3GATMA1	95
BSB044N08NN3 G		SP000604542	BSB044N08NN3GXUMA1	97	BSC070N10NS3 G	SP000778082	BSC070N10NS3GATMA1	98
BSB056N10NN3 G		SP000604540	BSB056N10NN3GXUMA1	98	BSC072N03LD G	SP000359607	BSC072N03LDGATMA1	91
BSB104N08NP3 G		SP001164330	BSB104N08NP3GXUMA1	97	BSC076N06NS3 G	SP000453656	BSC076N06NS3GATMA1	95
BSB165N15NZ3 G		SP000617000	BSB165N15NZ3GXUMA1	100	BSC077N12NS3 G	SP000652750	BSC077N12NS3GATMA1	100
BSB280N15NZ3 G		SP000604534	BSB280N15NZ3GXUMA1	100	BSC079N03LSC G	SP000527424	BSC079N03LSCGATMA1	91
BSC009NE2LS		SP000893362	BSC009NE2LSATMA1	90	BSC079N10NS G	SP000379590	BSC079N10NSGATMA1	98
BSC010N04LS		SP000928282	BSC010N04LSATMA1	94	BSC080N03LS G	SP000275114	BSC080N03LSGATMA1	91
BSC010N04LSI		SP000953210	BSC010N04LSIATMA1	94	BSC080N03MS G	SP000311514	BSC080N03MSGATMA1	93
BSC010NE2LS		SP000776124	BSC010NE2LSATMA1	90	BSC080P03LS G	SP000359664	BSC080P03LSGAUMA1	116
BSC010NE2LSI		SP000854376	BSC010NE2LSIATMA1	90	BSC082N10LS G	SP000379609	BSC082N10LSGATMA1	98
BSC011N03LS		SP000799082	BSC011N03LSATMA1	91	BSC084P03NS3 G	SP000473020	BSC084P03NS3GATMA1	116

Summary of Types

Type	Ordering Code	Orderable Part Number	Page	Type	Ordering Code	Orderable Part Number	Page
BSC084P03NS3E G	SP000473012	BSC084P03NS3EGATMA1	116	BSL207N	SP001100648	BSL207NH6327XTSA1	90
BSC0901NS	SP000800248	BSC0901NSATMA1	91	BSL211SP	SP001100652	BSL211SPH6327XTSA1	117
BSC0901NSI	SP000819818	BSC0901NSIATMA1	91	BSL214N	SP001100658	BSL214NH6327XTSA1	90
BSC0902NS	SP000800246	BSC0902NSATMA1	91	BSL215C	SP001101000	BSL215CH6327XTSA1	118
BSC0902NSI	SP000854380	BSC0902NSIATMA1	91	BSL307SP	SP001100660	BSL307SPH6327XTSA1	117
BSC0904NSI	SP000854384	BSC0904NSIATMA1	91	BSL316C	SP001101010	BSL316CH6327XTSA1	118
BSC0906NS	SP000893360	BSC0906NSATMA1	91	BSL606SN	SP000691164	BSL606SNH6327XTSA1	95
BSC0908NS	SP000847024	BSC0908NSATMA1	91	BSL802SN	SP001101012	BSL802SNH6327XTSA1	90
BSC0909NS	SP000832576	BSC0909NSATMA1	91	BSN011NE2LS	SP001074736	BSN011NE2LSXUSA1	90
BSC090N03LS G	SP000275115	BSC090N03LSGATMA1	91	BSN011NE2LSI	SP001074738	BSN011NE2LSIXUSA1	90
BSC090N03MS G	SP000313120	BSC090N03MSGATMA1	93	BSN012N03LS	SP001074740	BSN012N03LSXUSA1	91
BSC0911ND	SP000934746	BSC0911NDATMA1	90	BSN012N03LSI	SP001074742	BSN012N03LSIXUSA1	91
BSC091N03MSC G	SP000527416	BSC091N03MSCGATMA1	93	BSN045NE2LS	SP001074744	BSN045NE2LSXUSA1	90
BSC0921NDI	SP000934748	BSC0921NDIATMA1	91	BSN048N03LS	SP001074746	BSN048N03LSXUSA1	91
BSC0923NDI	SP000934758	BSC0923NDIATMA1	91	BSO033N03MS G	SP000446072	BSO033N03MSGXUMA1	93
BSC0924NDI	SP000934750	BSC0924NDIATMA1	91	BSO040N03MS G	SP000446070	BSO040N03MSGXUMA1	93
BSC0925ND	SP000934752	BSC0925NDATMA1	91	BSO080P03NS3 G	SP000472996	BSO080P03NS3GXUMA1	117
BSC093N04LS G	SP000387929	BSC093N04LSGATMA1	94	BSO080P03NS3E G	SP000472992	BSO080P03NS3EGXUMA1	117
BSC097N06NS	SP001067004	BSC097N06NSATMA1	95	BSO080P03S H	SP000613798	BSO080P03SHXUMA1	117
BSC100N03MS G	SP000311515	BSC100N03MSGATMA1	93	BSO083N03MS G	SP000446064	BSO083N03MSGXUMA1	93
BSC100N06LS3 G	SP000453664	BSC100N06LS3GATMA1	95	BSO110N03MS G	SP000446062	BSO110N03MSGXUMA1	93
BSC100N10NSF G	SP000379595	BSC100N10NSFGATMA1	98	BSO130P03S H	SP000613860	BSO130P03SHXUMA1	117
BSC105N10LSF G	SP000388502	BSC105N10LSFGATMA1	98	BSO150N03MD G	SP000447476	BSO150N03MDGXUMA1	93
BSC109N10NS3 G	SP000778132	BSC109N10NS3GATMA1	98	BSO200P03S H	SP000613850	BSO200P03SHXUMA1	117
BSC110N06NS3 G	SP000453668	BSC110N06NS3GATMA1	95	BSO201SP H	SP000613828	BSO201SPHXUMA1	117
BSC118N10NS G	SP000379599	BSC118N10NSGATMA1	98	BSO203P H	SP000613858	BSO203PHXUMA1	117
BSC120N03LS G	SP000302848	BSC120N03LSGATMA1	91	BSO203SP H	SP000613856	BSO203SPHXUMA1	117
BSC120N03MS G	SP000311516	BSC120N03MSGATMA1	93	BSO207P H	SP000613832	BSO207PHXUMA1	117
BSC123N08NS3 G	SP000443916	BSC123N08NS3GATMA1	97	BSO211P H	SP000613844	BSO211PHXUMA1	117
BSC123N10LS G	SP000379612	BSC123N10LSGATMA1	98	BSO220N03MD G	SP000447478	BSO220N03MDGXUMA1	93
BSC12DN20NS3 G	SP000781774	BSC12DN20NS3GATMA1	101	BSO301SP H	SP000613796	BSO301SPHXUMA1	117
BSC130P03LS G	SP000359666	BSC130P03LSGAUMA1	116	BSO303P H	SP000613854	BSO303PHXUMA1	117
BSC150N03LD G	SP000359362	BSC150N03LDGATMA1	91	BSO303SP H	SP000613848	BSO303SPHXUMA1	117
BSC159N10LSF G	SP000379614	BSC159N10LSFGATMA1	98	BSO330N02K G	SP000380284	BSO330N02KGFUMA1	90
BSC160N10NS3 G	SP000482382	BSC160N10NS3GATMA1	98	BSO604NS2	SP000396268	BSO604NS2XUMA1	82
BSC16DN25NS3 G	SP000781782	BSC16DN25NS3GATMA1	101	BSO612CV G	SP000216307	BSO612CVGHUMA1	118
BSC190N12NS3 G	SP000652752	BSC190N12NS3GATMA1	100	BSO613SPV G	SP000216309	BSO613SPVGHUMA1	116
BSC190N15NS3 G	SP000416636	BSC190N15NS3GATMA1	100	BSO615C G	SP000216311	BSO615CGHUMA1	116
BSC196N10NS G	SP000379604	BSC196N10NSGATMA1	98	BSO615N G	SP000216316	BSO615NGHUMA1	96
BSC205N10LS G	SP000379616	BSC205N10LSGATMA1	98	BSP125	SP001058576	BSP125H6327XTSA1	105
BSC22DN20NS3 G	SP000781778	BSC22DN20NS3GATMA1	101	BSP125	SP001058578	BSP125H6433XTMA1	105
BSC240N12NS3 G	SP000819812	BSC240N12NS3GATMA1	100	BSP129	SP001058580	BSP129H6327XTSA1	119
BSC252N10NSF G	SP000379608	BSC252N10NSFGATMA1	98	BSP129	SP001058586	BSP129H6906XTSA1	119
BSC265N10LSF G	SP000379618	BSC265N10LSFGATMA1	98	BSP135	SP001058812	BSP135H6327XTSA1	119
BSC320N20NS3 G	SP000676410	BSC320N20NS3GATMA1	101	BSP135	SP001058592	BSP135H6433XTMA1	119
BSC340N08NS3 G	SP000447534	BSC340N08NS3GATMA1	97	BSP135	SP001058594	BSP135H6906XTSA1	119
BSC360N15NS3 G	SP000778134	BSC360N15NS3GATMA1	100	BSP149	SP001058818	BSP149H6327XTSA1	119
BSC440N10NS3 G	SP000482420	BSC440N10NS3GATMA1	98	BSP149	SP001058604	BSP149H6906XTSA1	119
BSC500N20NS3 G	SP000998292	BSC500N20NS3GATMA1	101	BSP170P	SP001058608	BSP170PH6327XTSA1	116
BSC520N15NS3 G	SP000521716	BSC520N15NS3GATMA1	100	BSP171P	SP001058824	BSP171PH6327XTSA1	116
BSC600N25NS3 G	SP000676402	BSC600N25NS3GATMA1	101	BSP295	SP001058618	BSP295H6327XTSA1	96
BSC750N10ND G	SP000359610	BSC750N10NDGATMA1	98	BSP296N	SP001059330	BSP296NH6327XTSA1	99
BSC900N20NS3 G	SP000781780	BSC900N20NS3GATMA1	101	BSP296N	SP001098610	BSP296NH6433XTMA1	99
BSD214SN	SP000917656	BSD214SNH6327XTSA1	90	BSP297	SP001058622	BSP297H6327XTSA1	101
BSD223P	SP000924074	BSD223PH6327XTSA1	117	BSP298	SP001058626	BSP298H6327XUSA1	102
BSD235C	SP000917610	BSD235CH6327XTSA1	118	BSP299	SP001058628	BSP299H6327XUSA1	102
BSD235N	SP000917652	BSD235NH6327XTSA1	90	BSP300	SP001058720	BSP300H6327XUSA1	114
BSD314SPE	SP000473008	BSD314SPEL6327HTSA1	117	BSP315P	SP001058830	BSP315PH6327XTSA1	116
BSD314SPE	SP000917658	BSD314SPEH6327XTSA1	117	BSP316P	SP001058754	BSP316PH6327XTSA1	116
BSD316SN H6327	SP000917668	BSD316SNH6327XTSA1	91	BSP317P	SP001058758	BSP317PH6327XTSA1	116
BSD816SN	SP000464868	BSD816SNL6327HTSA1	90	BSP318S	SP001058838	BSP318SH6327XTSA1	96
BSD816SN	SP000917670	BSD816SNH6327XTSA1	90	BSP320S	SP001058768	BSP320SH6327XTSA1	96
BSD840N	SP000917654	BSD840NH6327XTSA1	90	BSP320S	SP001058772	BSP320SH6433XTMA1	96
BSF024N03LT3 G	SP000616988	BSF024N03LT3GXUMA1	91	BSP321P	SP001058782	BSP321PH6327XTSA1	116
BSF030NE2LQ	SP000756348	BSF030NE2LQXUMA1	90	BSP322P	SP001058784	BSP322PH6327XTSA1	116
BSF035NE2LQ	SP001034234	BSF035NE2LQXUMA1	90	BSP324	SP001058786	BSP324H6327XTSA1	102
BSF045N03LQ3 G	SP000597842	BSF045N03LQ3GXUMA1	91	BSP324	SP001058786	BSP324H6327XTSA1	102
BSF050N03LQ3 G	SP000604522	BSF050N03LQ3GXUMA1	91	BSP322P	SP001058784	BSP322PH6327XTSA1	116
BSF110N06NT3 G	SP000937760	BSF110N06NT3GXUMA1	95	BSP324	SP001058786	BSP324H6327XTSA1	102
BSF134N10NJ3 G	SP000604536	BSF134N10NJ3GXUMA1	98	BSP372N	SP001059326	BSP372NH6327XTSA1	99
BSF450NE7NH3	SP001019350	BSF450NE7NH3XUMA1	97	BSP373N	SP001059328	BSP373NH6327XTSA1	99
BSL202SN	SP001100644	BSL202SNH6327XTSA1	90	BSP452	SP000272112	BSP452HUMA1	134
BSL205N	SP001100646	BSL205NH6327XTSA1	90	BSP50	1k SP000011126	BSP50E6327HTSA1	199
				BSP51	1k SP000011127	BSP51E6327HTSA1	199
				BSP52	1k SP000011128	BSP52E6327HTSA1	199
				BSP60	1k SP000011131	BSP60E6327HTSA1	199



Summary of Types

Type	Ordering Code	Orderable Part Number	Page	Type	Ordering Code	Orderable Part Number	Page
BSP603S2L	SP000431792	BSP603S2LHUMA1	82	BSZ019N03LS	SP000792362	BSZ019N03LSATMA1	91
BSP61	1k SP000011132	BSP61E6327HTSA1	199	BSZ023N04LS	SP000953208	BSZ023N04LSATMA1	94
BSP613P	SP001058788	BSP613PH6327XTSA1	116	BSZ028N04LS	SP001067016	BSZ028N04LSATMA1	94
BSP62	1k SP000011133	BSP62E6327HTSA1	199	BSZ034N04LS	SP001067020	BSZ034N04LSATMA1	94
BSP742R	SP000272115	BSP742RXUMA1	134	BSZ035N03LS G	SP000278809	BSZ035N03LSGATMA1	91
BSP742RI	SP000278925	BSP742RIXUMA1	134	BSZ035N03MS G	SP000311511	BSZ035N03MSGATMA1	93
BSP742T	SP000311133	BSP742TXUMA1	134	BSZ036NE2LS	SP000854572	BSZ036NE2LSATMA1	90
BSP752R	SP000355392	BSP752RXUMA2	134	BSZ040N04LS G	SP000388295	BSZ040N04LSGATMA1	94
BSP752T	SP000278359	BSP752TXUMA1	134	BSZ042N04NS G	SP000388300	BSZ042N04NSGATMA1	94
BSP75N	SP000305171	BSP75NHUMA1	131	BSZ042N06NS	SP000917418	BSZ042N06NSATMA1	95
BSP76 E6433	SP000379611	BSP76E6433HUMA1	131	BSZ050N03LS G	SP000304139	BSZ050N03LSGATMA1	92
BSP762T	SP000272118	BSP762TXUMA1	134	BSZ050N03MS G	SP000311518	BSZ050N03MSGATMA1	93
BSP77 E6433	SP000383400	BSP77E6433HUMA1	131	BSZ058N03LS G	SP000307424	BSZ058N03LSGATMA1	92
BSP772T	SP000355395	BSP772TXUMA1	134	BSZ058N03MS G	SP000311508	BSZ058N03MSGATMA1	93
BSP78	SP000292892	BSP78HUMA1	131	BSZ060NE2LS	SP000776122	BSZ060NE2LSATMA1	90
BSP88	SP001058790	BSP88H6327XTSA1	101	BSZ065N03LS	SP000799084	BSZ065N03LSATMA1	92
BSP89	SP001058794	BSP89H6327XTSA1	101	BSZ067N06LS3 G	SP000451080	BSZ067N06LS3GATMA1	95
BSP92P	SP001058796	BSP92PH6327XTSA1	116	BSZ068N06NS	SP001067002	BSZ068N06NSATMA1	95
BSR202N	SP000257784	BSR202NL6327HTSA1	90	BSZ076N06LS3 G	SP000454420	BSZ076N06NS3GATMA1	95
BSR302N	SP000257785	BSR302NL6327HTSA1	91	BSZ086P03NS3 G	SP000473024	BSZ086P03NS3GATMA1	117
BSR315P	SP000265405	BSR315PL6327HTSA1	116	BSZ086P03NS3E G	SP000473016	BSZ086P03NS3EGATMA1	117
BSR316P	SP000265407	BSR316PL6327HTSA1	116	BSZ088N03LS G	SP000304138	BSZ088N03LSGATMA1	92
BSR606N	SP000691160	BSR606NH6327XTSA1	95	BSZ088N03MS G	SP000311509	BSZ088N03MSGATMA1	93
BSR802N	SP000442484	BSR802NL6327HTSA1	90	BSZ0901NS	SP000854570	BSZ0901NSATMA1	91
BSR92P	SP000265408	BSR92PL6327HTSA1	116	BSZ0901NSI	SP000853566	BSZ0901NSIATMA1	91
BSS119N	SP000870644	BSS119NH6327XTSA1	99	BSZ0902NS	SP000854386	BSZ0902NSATMA1	91
BSS119N	SP000996564	BSS119NH6433XTMA1	99	BSZ0902NSI	SP000854388	BSZ0902NSIATMA1	91
BSS123N	SP000870646	BSS123NH6327XTSA1	99	BSZ0904NSI	SP000854390	BSZ0904NSIATMA1	92
BSS123N	SP000939268	BSS123NH6433XTMA1	99	BSZ0907ND	SP000865186	BSZ0907NDXTMA1	92
BSS126	SP000919334	BSS126H6327XTSA2	119	BSZ0908ND	SP000865176	BSZ0908NDXTMA1	92
BSS126	SP000705716	BSS126H6906XTSA1	119	BSZ0909NS	SP000832568	BSZ0909NSATMA1	92
BSS127	SP000919332	BSS127H6327XTSA2	105	BSZ097N04LS G	SP000388296	BSZ097N04LSGATMA1	94
BSS131	SP000702620	BSS131H6327XTSA1	101	BSZ100N03LS G	SP000304135	BSZ100N03LSGATMA1	92
BSS138N	SP000919330	BSS138NH6327XTSA2	96	BSZ100N03MS G	SP000311510	BSZ100N03MSGATMA1	93
BSS138N	SP000924060	BSS138NH6433XTMA1	96	BSZ100N06LS3 G	SP000453672	BSZ100N06LS3GATMA1	95
BSS138W	SP000924068	BSS138WH6327XTSA1	96	BSZ100N06NS	SP001067006	BSZ100N06NSATMA1	95
BSS138W	SP000917558	BSS138WH6433XTMA1	96	BSZ105N04NS G	SP000388301	BSZ105N04NSGATMA1	94
BSS139	SP000702610	BSS139H6327XTSA1	119	BSZ110N06NS3 G	SP000453676	BSZ110N06NS3GATMA1	95
BSS139	SP000702612	BSS139H6906XTSA1	119	BSZ120P03NS3 G	SP000709736	BSZ120P03NS3GATMA1	117
BSS159N	SP000919328	BSS159NH6327XTSA2	119	BSZ120P03NS3E G	SP000709730	BSZ120P03NS3EGATMA1	117
BSS159N	SP000702636	BSS159NH6906XTSA1	119	BSZ123N08NS3 G	SP000443632	BSZ123N08NS3GATMA1	97
BSS159N	SP000247298	BSS159NL6906HTSA1	119	BSZ12DN20NS3 G	SP000781784	BSZ12DN20NS3GATMA1	101
BSS169	SP000702572	BSS169H6327XTSA1	119	BSZ130N03LS G	SP000278810	BSZ130N03LSGATMA1	92
BSS169	SP000702582	BSS169H6906XTSA1	119	BSZ130N03MS G	SP000313122	BSZ130N03MSGATMA1	93
BSS169	SP000247300	BSS169L6906HTSA1	119	BSZ150N10LS3 G	SP001002916	BSZ150N10LS3GATMA1	98
BSS192P	SP001047642	BSS192PH6327FTSA1	116	BSZ160N10NS3 G	SP000482390	BSZ160N10NS3GATMA1	94
BSS205N	SP000929180	BSS205NH6327XTSA1	90	BSZ165N04NS G	SP000391523	BSZ165N04NSGATMA1	98
BSS209PW	SP000705498	BSS209PW6327XTSA1	117	BSZ16DN25NS3 G	SP000781800	BSZ16DN25NS3GATMA1	101
BSS214N	SP000928936	BSS214NH6327XTSA1	90	BSZ180P03NS3 G	SP000709744	BSZ180P03NS3GATMA1	117
BSS214NW	SP000917560	BSS214NWH6327XTSA1	90	BSZ180P03NS3E G	SP000709740	BSZ180P03NS3EGATMA1	117
BSS215P	SP000928938	BSS215PH6327XTSA1	117	BSZ22DN20NS3 G	SP000781794	BSZ22DN20NS3GATMA1	101
BSS223PW	SP000843010	BSS223PWH6327XTSA1	117	BSZ240N12NS3 G	SP000819814	BSZ240N12NS3GATMA1	100
BSS225	SP001047644	BSS225H6327FTSA1	105	BSZ340N08NS3 G	SP000443634	BSZ340N08NS3GATMA1	97
BSS306N	SP000928940	BSS306NH6327XTSA1	91	BSZ42DN15NS3 G	SP000781796	BSZ42DN25NS3GATMA1	101
BSS308PE	SP000928942	BSS308PEH6327XTSA1	117	BSZ440N10NS3 G	SP000482442	BSZ440N10NS3GATMA1	98
BSS314PE	SP000928944	BSS314PEH6327XTSA1	117	BSZ520N15NS3 G	SP000607022	BSZ520N15NS3GATMA1	100
BSS315P	SP000928946	BSS315PH6327XTSA1	117	BSZ900N15NS3 G	SP000677866	BSZ900N15NS3GATMA1	100
BSS316N	SP000928948	BSS316NH6327XTSA1	91	BSZ900N20NS3 G	SP000781806	BSZ900N20NS3GATMA1	101
BSS606N	SP000691152	BSS606NH6327XTSA1	95	BTFF50060-1TEA	SP000629444	BTFF500601TEAUMA1	136
BSS670S2L	SP000928950	BSS670S2LH6327XTSA1	94	BTM7700G	SP000306876	BTM7700GXUMA1	144
BSS7728N	SP000702640	BSS7728NH6327XTSA1	95	BTM7710G	SP000306878	BTM7710GXUMA1	144
BSS7728N	SP000929184	BSS7728NH6327XTSA2	96	BTM7710GP	SP000303743	BTM7710GPAUMA1	144
BSS806N	SP000928952	BSS806NH6327XTSA1	90	BTM7740G	SP000306879	BTM7740GXUMA1	144
BSS806NE	SP000999336	BSS806NEH6327XTSA1	90	BTM7741G	SP000306880	BTM7741GXUMA1	144
BSS816NW	SP000917562	BSS816NWH6327XTSA1	90	BTM7742G	SP000777046	BTM7742GXUMA1	144
BSS83P	SP000702486	BSS83PH6327XTSA1	116	BTM7745G	SP000777048	BTM7745GXUMA1	144
BSS84P	SP000929186	BSS84PH6327XTSA2	116	BTM7750G	SP000306881	BTM7750GXUMA1	144
BSS84P	SP000924084	BSS84PH6433XTMA1	116	BTM7750GP	SP000303751	BTM7750GPAUMA1	144
BSS84PW	SP000917564	BSS84PWH6327XTSA1	116	BTM7751G	SP000306882	BTM7751GXUMA1	144
BSS87	SP001047646	BSS87H6327FTSA1	101	BTM7752G	SP000267008	BTM7752GXUMA1	144
BSV236SP	SP000917672	BSV236SPH6327XTSA1	117	BTM7755G	SP000267009	BTM7755GXUMA1	144
BSZ018NE2LS	SP000756338	BSZ018NE2LSATMA1	90	BTM7810K	SP000311145	BTM7810KAUMA1	144
BSZ018NE2LSI	SP000906032	BSZ018NE2LSIATMA1	90	BTM7811K	SP000303752	BTM7811KAUMA1	144

Summary of Types

Type	Ordering Code	Orderable Part Number	Page	Type	Ordering Code	Orderable Part Number	Page
BTN7930B	SP000299767	BTN7930BAUMA1	144	BTS442E2 E3062A	SP000663460	BTS442E2E3062ABUMA1	135
BTN7930P	SP000314911	BTN7930PAKSA1	144	BTS443P	SP000264198	BTS443PAUMA1	136
BTN7930S	SP000355958	BTN7930SAKSA1	144	BTS452R	SP000506224	BTS452RATMA1	134
BTN7933B	SP000481546	BTN7933BAUMA1	144	BTS452T	SP000506226	BTS452TATMA1	134
BTN7960B	SP000299768	BTN7960BAUMA1	144	BTS462T	SP000506232	BTS462TATMA1	134
BTN7963B	SP000481608	BTN7963BAUMA1	145	BTS4880R	SP000276938	BTS4880RAUMA1	138
BTN7970B	SP000299769	BTN7970BAUMA1	145	BTS50015-1TAC	SP001018032	BTS500151TACATMA1	136
BTN7970P	SP000355967	BTN7970PAKSA1	145	BTS50015-1TMA	SP000701402	BTS500151TMAAKSA1	136
BTN7970S	SP000355961	BTN7970SAKSA1	145	BTS50040-2SFA	SP000851890	BTS500402SFAUXUMA1	137
BTN7971B	SP000379686	BTN7971BAUMA1	145	BTS50050-1EGA	SP000410462	BTS500501EGAAUMA1	136
BTN7973B	SP000481626	BTN7973BAUMA1	145	BTS50055-1TMA	SP000385906	BTS500551TMAATMA1	136
BTN8946TA	SP000784968	BTN8946TAAUMA1	145	BTS50055-1TMC	SP000385908	BTS500551TMCATMA1	136
BTN8960TA	SP000785172	BTN8960TAAUMA1	145	BTS50060-1EGA	SP000299539	BTS500601EGAAUMA1	136
BTN8962TA	SP001054232	BTN8962TAAUMA1	145	BTS50060-1TEA	SP001082554	BTS500601TEAAUMA2	136
BTN8980TA	SP000785250	BTN8980TAAUMA1	145	BTS50070-1EGA	SP000410464	BTS500701EGAAUMA1	136
BTN8982TA	SP001054216	BTN8982TAAUMA1	145	BTS50070-1TMA	SP000411772	BTS500701TMAATMA1	136
BTS117	SP001003104	BTS117BKSA1	131	BTS50070-1TMB	SP000411774	BTS500701TMBAKSA1	136
BTS117TC	SP000668258	BTS117TCBUMA1	131	BTS5008-1EKB	SP000865464	BTS50081EKBXUMA1	136
BTS118D	SP000506212	BTS118DATMA1	131	BTS50080-1EGA	SP000410466	BTS500801EGAAUMA1	136
BTS132 E3129	SP000011208	BTS132E3129NKSA1	130	BTS50080-1TEA	SP000411780	BTS500801TEAAUMA1	136
BTS133	SP001003102	BTS133BKSA1	131	BTS50080-1TEB	SP000411784	BTS500801TEBAUMA1	136
BTS133TC	SP000668256	BTS133TCBUMA1	131	BTS50080-1TMA	SP000385909	BTS500801TMAATMA1	136
BTS134D	SP000506208	BTS134DATMA1	131	BTS50080-1TMB	SP000385910	BTS500801TMBAKSA1	136
BTS141	SP001003100	BTS141BKSA1	131	BTS50080-1TMC	SP000479402	BTS500801TMCATMA1	136
BTS141TC	SP000668254	BTS141TCBUMA1	131	BTS50085-1TMA	SP000385911	BTS500851TMAATMA1	136
BTS142D	SP000506220	BTS142DATMA1	131	BTS50085-1TMB	SP000385912	BTS500851TMBAKSA1	136
BTS240A	SP000841302	BTS240AHKSA1	130	BTS5010-1EKB	SP000865466	BTS50101EKBXUMA1	136
BTS244Z E3043	SP000969782	BTS244ZE3043AKSA2	130	BTS5012-1EKB	SP000865468	BTS50121EKBXUMA1	136
BTS244Z E3062A	SP000910844	BTS244ZE3062AATMA2	130	BTS5012SDA	SP000298620	BTS5012SDAAUMA1	136
BTS247Z E3062A	SP000910846	BTS247ZE3062AATMA2	130	BTS5014SDA	SP000298621	BTS5014SDAAUMA1	136
BTS282Z E3180A	SP000910848	BTS282ZE3180AATMA2	130	BTS5016-1EKB	SP000865462	BTS50161EKBXUMA1	136
BTS282Z E3230	SP000969786	BTS282ZE3230AKSA2	130	BTS5016-2EKA	SP000958754	BTS50162EKAXUMA1	137
BTS3028SDL	SP000438722	BTS3028SDLATMA1	131	BTS5016SDA	SP000298622	BTS5016SDAAUMA1	136
BTS3028SDR	SP000438724	BTS3028SDRATMA1	131	BTS5020-1EKA	SP000840718	BTS50201EKAXUMA1	136
BTS3046SDL	SP000438726	BTS3046SDLATMA1	131	BTS5020-2EKA	SP000857482	BTS50202EKAXUMA2	137
BTS3046SDR	SP000438728	BTS3046SDRATMA1	131	BTS5030-1EJA	SP000746730	BTS50301EJAXUMA1	136
BTS307 E3062A	SP000011225	BTS307E3062ANTMA1	135	BTS5030-2EKA	SP000389642	BTS50302EKAXUMA1	137
BTS3104SDL	SP000438730	BTS3104SDLATMA1	131	BTS5045-1EJA	SP000746732	BTS50451EJAXUMA1	136
BTS3104SDR	SP000438732	BTS3104SDRATMA1	131	BTS5045-2EKA	SP000857484	BTS50452EKAXUMA1	137
BTS3110N	SP000292896	BTS3110NHUMA1	131	BTS5090-1EJA	SP000767082	BTS50901EJAXUMA1	136
BTS3118D	SP000506216	BTS3118DATMA1	131	BTS5090-2EKA	SP000639242	BTS50902EKAXUMA1	137
BTS3118N	SP000305173	BTS3118NHUMA1	131	BTS5120-2EKA	SP000639244	BTS51202EKAXUMA1	137
BTS3134D	SP000506210	BTS3134DATMA1	131	BTS5180-2EKA	SP000639238	BTS51802EKAXUMA1	137
BTS3134N	SP000305174	BTS3134NHUMA1	131	BTS5210G	SP000272327	BTS5210GXUMA1	137
BTS3142D	SP000506218	BTS3142DATMA1	131	BTS5210L	SP000301612	BTS5210LAUMA1	137
BTS3160D	SP000305175	BTS3160DAUMA1	131	BTS5215L	SP000301613	BTS5215LAUMA1	137
BTS3205G	SP000237784	BTS3205GXUMA1	131	BTS5231-2GS	SP000281794	BTS52312GSXUMA1	137
BTS3205N	SP000438116	BTS3205NHUSA1	131	BTS5235-2G	SP000281079	BTS52352GXUMA1	137
BTS3207N	SP000294550	BTS3207NHUMA1	131	BTS5235-2L	SP000280715	BTS52352LAUMA1	137
BTS3256D	SP000315628	BTS3256DAUMA1	131	BTS5236-2GS	SP000280717	BTS52362GSXUMA1	137
BTS3405G	SP000237783	BTS3405GXUMA1	131	BTS5242-2L	SP000281082	BTS52422LAUMA1	137
BTS3408G	SP001027114	BTS3408GXUMA2	131	BTS5246-2L	SP000281083	BTS52462LAUMA1	137
BTS3410G (Dual)	SP000305178	BTS3410GXUMA1	131	BTS54004-LBA	SP000887550	BTS54004LBAUMA1	139
BTS3800SL	SP000732200	BTS3800SLHTSA1	131	BTS54040-LBE	SP000887552	BTS54040LBEAUMA1	139
BTS409L1 E3062A	SP000011232	BTS409L1E3062ANTMA1	135	BTS54220-LBA	SP000887554	BTS54220LBAUMA1	139
BTS410E2 E3043	SP000011234	BTS410E2E3043NKSA1	135	BTS54220-LBE	SP000887556	BTS54220LBEAUMA1	139
BTS410E2 E3062A	SP000011235	BTS410E2E3062ANTMA1	135	BTS5461SF	SP000862818	BTS5461SFXUMA1	139
BTS410F2 E3062A	SP000016371	BTS410F2E3062ANTMA1	135	BTS5481SF	SP000862816	BTS5481SFXUMA1	139
BTS4130QGA	SP000360283	BTS4130QGAXUMA1	138	BTS5482SF	SP001121980	BTS5482SFXUMA2	139
BTS4140N	SP000272323	BTS4140NHUMA1	134	BTS55032-LBA	SP000919412	BTS55032LBAUMA1	140
BTS4141N	SP000302609	BTS4141NHUMA1	134	BTS550P E3146	SP000842750	BTS550PE3146HKSA1	136
BTS4142N	SP000355402	BTS4142NHUMA1	134	BTS555 E3146	SP000842742	BTS555E3146HKSA1	136
BTS4160DGA	SP000360284	BTS4160DGAXUMA1	137	BTS5562E	SP000425312	BTS5562EAUMA1	139
BTS4175SGA	SP000360279	BTS4175SGAXUMA1	134	BTS5566G	SP000255738	BTS5566GXUMA1	139
BTS426L1 E3062A	SP000011244	BTS426L1E3062ANTMA1	135	BTS5572E	SP000425314	BTS5572EAUMA1	139
BTS428L2	SP000506234	BTS428L2ATMA1	135	BTS5576G	SP000255737	BTS5576GXUMA1	139
BTS4300SGA	SP000360280	BTS4300SGAXUMA1	134	BTS5590G	SP000306869	BTS5590GXUMA1	139
BTS432E2	SP000711528	BTS432E2BKSA1	135	BTS56033-LBA	SP000915094	BTS56033LBAUMA1	140
BTS432E2 E3062A	SP000663358	BTS432E2E3062ABUMA1	135	BTS5662E	SP000296439	BTS5662EAUMA1	140
BTS436L2G	SP000011257	BTS436L2GNTMA1	135	BTS5672E	SP000455504	BTS5672EAUMA2	140
BTS441RG	SP000355405	BTS441RGATMA1	134	BTS5682E	SP000296428	BTS5682EAUMA1	140
BTS441TG	SP000311504	BTS441TGATMA1	134	BTS6133D	SP000274948	BTS6133DAUMA1	136
BTS442E2	SP000711526	BTS442E2BKSA1	135				



Summary of Types

Type	Ordering Code	Orderable Part Number	Page	Type	Ordering Code	Orderable Part Number	Page
BTS6142D	SP000264200	BTS6142DAUMA1	136	ESD206-B1-02ELS	15k	SP001117378	ESD206B102ELSE6327XTSA1 184
BTS6143D	SP000264199	BTS6143DAUMA1	136	ESD206-B1-02V	15k	SP001107442	ESD206B102VE6327XTSA1 184
BTS6163D	SP000264201	BTS6163DAUMA1	136	ESD207-B1-02EL	15k	SP001112362	ESD207B102ELE6327XTMA1 184
BTS640S2G	SP000528876	BTS640S2GATMA1	135	ESD207-B1-02ELS	15k	SP001109118	ESD207B102ELSE6327XTSA1 184
BTS6480SF	SP000408352	BTS6480SFXUMA1	139	ESD208-B1-02EL	15k	SP001139550	ESD208B102ELE6327XTMA1 184
BTS711L1	SP000379623	BTS711L1XUMA1	138	ESD208-B1-02ELS	15k	SP001131980	ESD208B102ELSE6327XTSA1 186
BTS712N1	SP000317660	BTS712N1XUMA1	138	ESD24VL1B-02LRH	15k	SP000960726	ESD24VL1B02LRHE6327XTSA1 185
BTS716G	SP000313686	BTS716GXUMA1	138	ESD24VL1B-02LS	15k	SP000943262	ESD24VL1B02LSE6327XTSA1 185
BTS716GB	SP000272337	BTS716GBXUMA1	138	ESD24VS2U	3k	SP000316684	ESD24VS2UE6327HTSA1 185
BTS721L1	SP000317661	BTS721L1XUMA1	138	ESD300-B1-02LRH	15k	SP001090470	ESD300B102LRHE6327XTSA1 186
BTS723GW	SP000272332	BTS723GWXUMA1	137	ESD300-B1-02LRH	15k	SP001090470	ESD300B102LRHE6327XTSA1 186
BTS724G	SP000313543	BTS724GXUMA1	138	ESD3V3U1U-02LRH	15k	SP000390728	ESD3V3U1U02LRHE6327XTSA1 185
BTS730	SP000272333	BTS730XUMA1	135	ESD3V3U1U-02LS	15k	SP000394145	ESD3V3U1U02LSE6327XTSA1 185
BTS740S2	SP000313545	BTS740S2XUMA1	137	ESD3V3U4ULC	7.5k	SP000844018	ESD3V3U4ULCE6327XTSA1 185
BTS7960P	SP000317942	BTN7960PAKSA1	144	ESD3V3XU1B1	15k	SP000943406	ESD3V3XU1BLE6327XTSA1 185
BTS7960S	SP000355960	BTN7960SAKSA1	145	ESD5V0L1B-02V	3k	SP000872146	ESD5V0L1B02VH6327XTSA1 185
BTT6020-1EKA	SP001004942	BTT60201EKAXUMA1	136	ESD5V0S1U-02V	3k	SP000860826	ESD5V0S1U02VH6327XTSA1 185
BTT6030-1EKA	SP001004944	BTT60301EKAXUMA1	136	ESD5V0S1U-03W	3k	SP000205608	ESD5V0S1U03WE6327HTSA1 185
BTT6030-2EKA	SP001004946	BTT60302EKAXUMA1	137	ESD5V0S1U-03W	3k	SP000205608	ESD5V0S1U03WE6327HTSA1 186
BTT6050-1EKA	SP001004948	BTT60501EKAXUMA1	136	ESD5V0S2U-06	3k	SP000205610	ESD5V0S2U06E6327HTSA1 186
BTT6050-2EKA	SP000866750	BTT60502EKAXUMA1	137	ESD5V0S4US	3k	SP000753522	ESD5V0S4USH6327XTSA1 185
BUZ30A H	SP000682990	BUZ30AHXKSA1	101	ESD5V0S4US	3k	SP000753522	ESD5V0S4USH6327XTSA1 186
BUZ30A H3045A	SP000736082	BUZ30AH3045AATMA1	101	ESD5V0S5US	3k	SP000753524	ESD5V0S5USH6327XTSA1 185
BUZ31 H3046	SP000682994	BUZ31H3046XKSA1	101	ESD5V3L1B-02LRH	15k	SP000921756	ESD5V3L1B02LRHE6327XTSA1 184
BUZ31L H	SP000682996	BUZ31LHXKSA1	101	ESD5V3L1B-02LRH	15k	SP000921756	ESD5V3L1B02LRHE6327XTSA1 185
D				F			
DSL70	3k	SP000362209	DSL70E6327HTSA1	186	FZL4146G	SP000087989	FZL4146GGEGHUMA1 162
E				I			
ESD0P8RFL	15k	SP000362197	ESD0P8RFL6327XTSA1	184	ICB1FL02G	SP000204703	ICB1FL02GXUMA1 206
ESD101-B1-02EL	15k	SP001112354	ESD101B102ELE6327XTMA1	184	ICB1FL03G	SP000626792	ICB1FL03GXUMA1 206
ESD101-B1-02EL	15k	SP001112354	ESD101B102ELE6327XTMA1	185	ICB2FL01G	SP000363741	ICB2FL01GXUMA1 206
ESD101-B1-02ELS	15k	SP001050534	ESD101B102ELSE6327XTSA1	184	ICB2FL02G	SP000555574	ICB2FL02GXUMA1 206
ESD101-B1-02ELS	15k	SP001050534	ESD101B102ELSE6327XTSA1	185	ICB2FL03G	SP000776684	ICB2FL03GXUMA1 206
ESD102-U1-02ELS	15k	SP001055318	ESD102U102ELSE6327XTSA1	185	ICE1CS02	SP000444084	ICE1CS02FKLA1 160
ESD102-U2-099EL	15k	SP001037800	ESD102U2099ELE6327XTSA1	185	ICE1CS02G	SP000783614	ICE1CS02GXUMA2 160
ESD102-U4-05L	15k	SP001050150	ESD102U405LE6327XTSA1	185	ICE1HS01G-1	SP001077176	ICE1HS01G1XUMA1 161
ESD103-B1-02EL	15k	SP001112358	ESD103B102ELE6327XTMA1	184	ICE2A165	SP000013769	ICE2A165FKLA1 158
ESD103-B1-02EL	15k	SP001112358	ESD103B102ELE6327XTMA1	185	ICE2A180Z	SP001056400	ICE2A180ZXKLA1 159
ESD103-B1-02ELS	15k	SP001077908	ESD103B102ELSE6327XTSA1	184	ICE2A265	SP000013503	ICE2A265FKLA1 158
ESD103-B1-02ELS	15k	SP001077908	ESD103B102ELSE6327XTSA1	185	ICE2A280Z	SP000956838	ICE2A280ZXKLA1 159
ESD105-B1-02EL	15k	SP001165248	ESD105B102ELE6327XTMA1	184	ICE2HS01G	SP000793084	ICE2HS01GXUMA1 161
ESD105-B1-02EL	15k	SP001165248	ESD105B102ELE6327XTMA1	185	ICE2PCS01	SP000737922	ICE2PCS01XKLA1 160
ESD105-B1-02ELS	15k	SP001133746	ESD105B102ELSE6327XTSA1	184	ICE2PCS01G	SP000717682	ICE2PCS01GXUMA1 160
ESD105-B1-02ELS	15k	SP001133746	ESD105B102ELSE6327XTSA1	185	ICE2PCS02	SP000741324	ICE2PCS02XKLA1 160
ESD108-B1-CSP0201	15k	SP001126862	ESD108B1CSP0201XTSA1	184	ICE2PCS02G	SP000718524	ICE2PCS02GXUMA1 160
ESD108-B1-CSP0201	15k	SP001126862	ESD108B1CSP0201XTSA1	185	ICE2PCS03	SP000752402	ICE2PCS03XKLA1 160
ESD110-B1-02ELS	15k	SP001061684	ESD110B102ELSE6327XTSA1	184			
ESD112-B1-02EL	15k	SP001113386	ESD112B102ELE6327XTMA1	184			
ESD112-B1-02ELS	15k	SP001061690	ESD112B102ELSE6327XTSA1	184			
ESD113-B1-02ELS	15k	SP001061696	ESD113B102ELSE6327XTSA1	184			
ESD113-B1-02ELS	15k	SP001061696	ESD113B102ELSE6327XTSA1	185			
ESD18VU1B-02LRH	15k	SP000884276	ESD18VU1B02LRHE6327XTSA1	184			
ESD1P0RFS	3k	SP000753518	ESD1P0RFSH6327XTSA1	184			
ESD1P0RFFW	3k	SP000753520	ESD1P0RFFWH6327XTSA1	184			
ESD200-B1-CSP0201	15k	SP000992756	ESD200B1CSP0201XTSA1	184			
ESD200-B1-CSP0201	15k	SP000992756	ESD200B1CSP0201XTSA1	186			
ESD203-B1-02EL	15k	SP001112360	ESD203B102ELE6327XTMA1	184			
ESD203-B1-02EL	15k	SP001112360	ESD203B102ELE6327XTMA1	186			
ESD203-B1-02ELS	15k	SP001117372	ESD203B102ELSE6327XTSA1	184			
ESD203-B1-02ELS	15k	SP001117372	ESD203B102ELSE6327XTSA1	186			
ESD204-B1-02EL	15k	SP001113390	ESD204B102ELE6327XTMA1	184			
ESD204-B1-02EL	15k	SP001113390	ESD204B102ELE6327XTMA1	186			
ESD204-B1-02ELS	15k	SP001061700	ESD204B102ELSE6327XTSA1	184			
ESD204-B1-02ELS	15k	SP001061700	ESD204B102ELSE6327XTSA1	186			
ESD205-B1-02ELS	15k	SP001014496	ESD205B102ELSE6327XTSA1	184			
ESD205-B1-02ELS	15k	SP001014496	ESD205B102ELSE6327XTSA1	186			
ESD206-B1-02EL	15k	SP001123720	ESD206B102ELE6327XTMA1	184			
ESD206-B1-02EL	15k	SP001123720	ESD206B102ELE6327XTMA1	186			

Summary of Types

Type	Ordering Code	Orderable Part Number	Page	Type	Ordering Code	Orderable Part Number	Page
ICE2PCS03G	SP000718526	ICE2PCS03GXUMA1	160	ICL8001G	SP000773086	ICL8001GXUMA1	206
ICE2PCS04	SP000752406	ICE2PCS04XKLA1	160	ICL8002G	SP000923986	ICL8002GXUMA1	206
ICE2PCS04G	SP000718528	ICE2PCS04GXUMA1	160	IDB09E60	SP000013914	IDB09E60ATMA1	127
ICE2PCS05G	SP000718530	ICE2PCS05GXUMA1	160	IDB12E120	SP000013640	IDB12E120ATMA1	127
ICE2PCS06	SP000745682	ICE2PCS06XKLA1	160	IDB15E60	SP000014044	IDB15E60ATMA1	127
ICE2PCS06G	SP000718532	ICE2PCS06GXUMA1	160	IDB18E120	SP000013919	IDB18E120ATMA1	127
ICE2QR0665	SP000937328	ICE2QR0665XKLA1	159	IDB23E60	SP000278566	IDB23E60ATMA1	127
ICE2QR0665G	SP000907678	ICE2QR0665GXUMA1	159	IDB30E120	SP000013641	IDB30E120ATMA1	127
ICE2QR0665Z	SP000895806	ICE2QR0665ZKLA1	159	IDB30E60	SP000013917	IDB30E60ATMA1	127
ICE2QR0680Z	SP000774406	ICE2QR0680ZKLA1	159	IDB45E60	SP000013635	IDB45E60ATMA1	127
ICE2QR1065Z	SP000905490	ICE2QR1065ZKLA1	159	IDD03E60	SP000013632	IDD03E60BUMA1	127
ICE2QR1765	SP000717522	ICE2QR1765XKLA1	159	IDD03SG60C	SP000786802	IDD03SG60CXTMA1	128
ICE2QR1765G	SP000905550	ICE2QR1765GXUMA1	159	IDD04S60C	SP000080224	IDD04S60CBUMA1	128
ICE2QR1765Z	SP000905534	ICE2QR1765ZKLA1	159	IDD04SG60C	SP000786804	IDD04SG60CXTMA1	128
ICE2QR2280G	SP000775242	ICE2QR2280GXUMA1	159	IDD05SG60C	SP000786806	IDD05SG60CXTMA1	128
ICE2QR2280G-1	SP001087212	ICE2QR2280G1XUMA1	159	IDD06E60	SP000077586	IDD06E60BUMA1	127
ICE2QR2280Z	SP000774322	ICE2QR2280ZKLA1	159	IDD06SG60C	SP000786808	IDD06SG60CXTMA1	128
ICE2QR2280Z-1	SP001087204	ICE2QR2280Z1XKLA1	159	IDD08SG60C	SP000786810	IDD08SG60CXTMA1	128
ICE2QR4765	SP000644950	ICE2QR4765XKLA1	159	IDD09E60	SP000013634	IDD09E60BUMA1	127
ICE2QR4765-T	SP001049166	ICE2QR4765TXKLA1	159	IDD09SG60C	SP000786812	IDD09SG60CXTMA1	128
ICE2QR4765G	SP000907668	ICE2QR4765GXUMA1	159	IDD10SG60C	SP000786814	IDD10SG60CXTMA1	128
ICE2QR4765Z	SP000905544	ICE2QR4765ZKLA1	159	IDD12SG60C	SP000786816	IDD12SG60CXTMA1	128
ICE2QR4780Z	SP000782770	ICE2QR4780ZKLA1	159	IDD15E60	SP000077587	IDD15E60BUMA2	127
ICE2QS02G	SP000718534	ICE2QS02GXUMA1	160	IDH02G65C5	SP000854598	IDH02G65C5XKSA1	129
ICE2QS03	SP000717562	ICE2QS03XKLA1	160	IDH02SG120	SP000541318	IDH02SG120XKSA1	128
ICE2QS03G	SP000775042	ICE2QS03GXUMA1	160	IDH03G65C5	SP000925196	IDH03G65C5XKSA1	129
ICE3A0565Z	SP000964060	ICE3A0565ZKLA1	158	IDH03SG60C	SP000523728	IDH03SG60CXKSA1	128
ICE3A1065ELJ	SP000430884	ICE3A1065ELJFKLA1	158	IDH04G65C5	SP000925198	IDH04G65C5XKSA1	129
ICE3A1565	SP000015083	ICE3A1565FKLA1	158	IDH04S60C	SP000657976	IDH04S60CAKSA1	128
ICE3A2065	SP000015082	ICE3A2065FKLA1	158	IDH04SG60C	SP000607026	IDH04SG60CXKSA1	128
ICE3A2065ELJ	SP000477348	ICE3A2065ELJFKLA1	158	IDH05G65C5	SP000925200	IDH05G65C5XKSA1	129
ICE3A2565	SP000015075	ICE3A2565FKLA1	158	IDH05S120	SP000293029	IDH05S120AKSA1	128
ICE3AR0680JZ	SP000848680	ICE3AR0680JZXKLA1	159	IDH05S60C	SP000797662	IDH05S60CAKSA1	128
ICE3AR0680VJZ	SP001135738	ICE3AR0680VJZXKLA1	159	IDH05SG60C	SP000607034	IDH05SG60CXKSA1	128
ICE3AR10080CJZ	SP000954980	ICE3AR10080CJZXKLA1	159	IDH06G65C5	SP000925202	IDH06G65C5XKSA1	129
ICE3AR10080JZ	SP000775770	ICE3AR10080JZXKLA1	159	IDH06S60C	SP000657978	IDH06S60CAKSA1	128
ICE3AR10080JZ-T	SP001049182	ICE3AR10080JZTXKLA1	159	IDH06SG60C	SP000523730	IDH06SG60CXKSA1	128
ICE3AR2280CJZ	SP000954580	ICE3AR2280CJZXKLA1	159	IDH08G65C5	SP000925204	IDH08G65C5XKSA1	129
ICE3AR2280JZ	SP000730002	ICE3AR2280JZXKLA1	159	IDH08S120	SP000293031	IDH08S120AKSA1	128
ICE3AR2280JZ-T	SP001049174	ICE3AR2280JZTXKLA1	159	IDH08S60C	SP000657994	IDH08S60CAKSA1	128
ICE3AR2280VJZ	SP001135778	ICE3AR2280VJZXKLA1	159	IDH08SG60C	SP000523732	IDH08SG60CXKSA1	128
ICE3AR4780CJZ	SP000980568	ICE3AR4780CJZXKLA1	159	IDH09G65C5	SP000925206	IDH09G65C5XKSA1	129
ICE3AR4780JZ	SP000839212	ICE3AR4780JZXKLA1	159	IDH09SG60C	SP000523734	IDH09SG60CXKSA1	128
ICE3AR4780VJZ	SP001135794	ICE3AR4780VJZXKLA1	159	IDH10G65C5	SP000925208	IDH10G65C5XKSA1	129
ICE3AS03LJG	SP000783724	ICE3AS03LJGXUMA1	160	IDH10S120	SP000293034	IDH10S120AKSA1	128
ICE3B0365J	SP000064720	ICE3B0365JFKLA1	158	IDH10S60C	SP000657996	IDH10S60CAKSA1	128
ICE3B0365J-T	SP001049214	ICE3B0365JTXKLA1	158	IDH10SG60C	SP000607040	IDH10SG60CXKSA1	128
ICE3B0365JG	SP000078899	ICE3B0365JGXUMA1	158	IDH12G65C5	SP000821244	IDH12G65C5XKSA1	129
ICE3B0565J	SP000937334	ICE3B0565JXKLA1	158	IDH12S60C	SP000797664	IDH12S60CAKSA1	128
ICE3B0565JG	SP000077217	ICE3B0565JGXUMA1	158	IDH12SG60C	SP000523738	IDH12SG60CXKSA1	128
ICE3B1565J	SP000098876	ICE3B1565JFKLA1	158	IDH15S120	SP000293028	IDH15S120AKSA1	128
ICE3BR0665J	SP000849306	ICE3BR0665JXKLA1	158	IDH16G65C5	SP000925210	IDH16G65C5XKSA1	129
ICE3BR0665JF	SP000839844	ICE3BR0665JFXKSA1	158	IDH16S60C	SP000797666	IDH16S60CAKSA1	128
ICE3BR0680JZ	SP000775720	ICE3BR0680JZXKLA1	159	IDH20G65C5	SP000925212	IDH20G65C5XKSA1	129
ICE3BR1065J	SP000943910	ICE3BR1065JXKLA1	158	IDK02G65C5	SP000930840	IDK02G65C5XTMA1	129
ICE3BR1065JF	SP000842986	ICE3BR1065JFXKSA2	158	IDK03G65C5	SP000930842	IDK03G65C5XTMA1	129
ICE3BR1465JF	SP000758768	ICE3BR1465JFXKSA1	158	IDK04G65C5	SP000930844	IDK04G65C5XTMA1	129
ICE3BR1765J	SP000849302	ICE3BR1765JXKLA1	158	IDK05G65C5	SP000930846	IDK05G65C5XTMA1	129
ICE3BR1765JZ	SP000706894	ICE3BR1765JZXKLA1	158	IDK06G65C5	SP000930848	IDK06G65C5XTMA1	129
ICE3BR2280JZ	SP000775698	ICE3BR2280JZXKLA1	159	IDK08G65C5	SP000930850	IDK08G65C5XTMA1	129
ICE3BR2280JZ-T	SP001049206	ICE3BR2280JZTXKLA1	159	IDK09G65C5	SP000930852	IDK09G65C5XTMA1	129
ICE3BR2565JF	SP000839846	ICE3BR2565JFXKSA2	158	IDK10G65C5	SP000930854	IDK10G65C5XTMA1	129
ICE3BR4765J	SP000849300	ICE3BR4765JXKLA1	158	IDK12G65C5	SP000930856	IDK12G65C5XTMA1	129
ICE3BR4765JG	SP000716242	ICE3BR4765JGXUMA1	158	IDL02G65C5	SP000941308	IDL02G65C5XUMA1	129
ICE3BR4765JZ	SP000736810	ICE3BR4765JZXKLA1	158	IDL04G65C5	SP000941306	IDL04G65C5XUMA1	129
ICE3BR4765JZ	SP001087230	ICE3BR4765JZXKLA1	158	IDL06G65C5	SP000941310	IDL06G65C5XUMA1	129
ICE3BS03LJG	SP000783726	ICE3BS03LJGXUMA1	160	IDL08G65C5	SP000941312	IDL08G65C5XUMA1	129
ICE3GS03LJG	SP000812044	ICE3GS03LJGXUMA1	160	IDL10G65C5	SP000941314	IDL10G65C5XUMA1	129
ICE3PCS01G	SP000639560	ICE3PCS01GXUMA1	160	IDL12G65C5	SP000941316	IDL12G65C5XUMA1	129
ICE3PCS02G	SP000639564	ICE3PCS02GXUMA1	160	IDP04E120	SP000683018	IDP04E120XKSA1	127
ICE3PCS03G	SP000639568	ICE3PCS03GXUMA1	160	IDP06E60	SP000683020	IDP06E60XKSA1	127
ICE3RBR0665JZ	SP001087246	ICE3RBR0665JZXKLA1	158	IDP08E65D1	SP001015376	IDP08E65D1XKSA1	127
ICE3RBR1765JZ	SP001087238	ICE3RBR1765JZXKLA1	158	IDP08E65D2	SP000994154	IDP08E65D2XKSA1	127

Summary of Types

Type	Ordering Code	Orderable Part Number	Page	Type	Ordering Code	Orderable Part Number	Page
IDP09E120	SP000683022	IDP09E120XKSA1	127	IFX2931G V50	SP000431776	IFX2931GV50XUMA1	155
IDP12E120	SP000712390	IDP12E120XKSA1	127	IFX4949SJ	SP000663314	IFX4949SJXUMA1	157
IDP15E60	SP000683024	IDP15E60XKSA1	127	IFX52001EJ	SP0000911866	IFX52001EJXUMA1	157
IDP15E65D1	SP001015380	IDP15E65D1XKSA1	127	IFX54441EJ V33	SP000953844	IFX54441EJV33XUMA1	157
IDP15E65D2	SP001005456	IDP15E65D2XKSA1	127	IFX54441EJ V50	SP000953834	IFX54441EJV50XUMA1	157
IDP18E120	SP000683026	IDP18E120XKSA1	127	IFX54441EJ V	SP000953854	IFX54441EJVXUMA1	157
IDP23E60	SP000683028	IDP23E60XKSA1	127	IFX7805ABTC	SP000929566	IFX7805ABTCATMA1	156
IDP30E120	SP000683030	IDP30E120XKSA1	127	IFX7805ABTF	SP000929570	IFX7805ABTFATMA1	156
IDP30E60	SP000683032	IDP30E60XKSA1	127	IFX7805ABTS	SP000929572	IFX7805ABTSAKSA1	156
IDP40E65D2	SP001008324	IDP40E65D2XKSA1	127	IFX78M05ABTF	SP000929586	IFX78M05ABTFATMA1	156
IDP45E60	SP000683034	IDP45E60XKSA1	127	IFX80471 V50	SP000858404	IFX80471SKV50XUMA1	155
IDV08E65D2	SP000994148	IDV08E65D2XKSA1	127	IFX80471SKV	SP000858402	IFX80471SKVXUMA1	155
IDV15E65D2	SP001005460	IDV15E65D2XKSA1	127	IFX81171ME V33	SP000357831	IFX8117MEV33HTMA1	156
IDV30E60C	SP000844186	IDV30E60CXKSA1	127	IFX81171ME V50	SP000357832	IFX8117MEV50HTMA1	156
IDW100E60	SP000227825	IDW100E60FKSA1	127	IFX81171MEV	SP000357833	IFX8117MEVHTMA1	156
IDW10G65C5	SP000937038	IDW10G65C5FKSA1	129	IFX81481ELV	SP001159760	IFX81481ELVXUMA1	155
IDW10S120	SP000919522	IDW10S120FKSA1	128	IFX90121EL V50	SP001118296	IFX90121ELV50XUMA1	155
IDW12G65C5	SP000937044	IDW12G65C5FKSA1	129	IFX9104EJ V33	SP000660594	IFX91041EJV33XUMA1	155
IDW15E65D2	SP001005464	IDW15E65D2FKSA1	127	IFX9104EJ V50	SP000660596	IFX91041EJV50XUMA1	155
IDW15S120	SP000919536	IDW15S120FKSA1	128	IFX9104EJ	SP000619696	IFX91041EJVXUMA1	155
IDW16G65C5	SP000937048	IDW16G65C5FKSA1	129	IGA03N120H2	SP000215371	IGA03N120H2XKSA1	120
IDW20G65C5	SP000937050	IDW20G65C5FKSA1	129	IGA30N60H3	SP000853272	IGA30N60H3XKSA1	121
IDW20S120	SP000919530	IDW20S120FKSA1	128	IGB01N120H2	SP000014614	IGB01N120H2ATMA1	120
IDW30E60	SP000916104	IDW30E60FKSA1	127	IGB03N120H2	SP000014616	IGB03N120H2ATMA1	120
IDW30E65D1	SP001015412	IDW30E65D1FKSA1	127	IGB10N60T	SP000456678	IGB10N60TATMA1	123
IDW30G65C5	SP000937052	IDW30G65C5FKSA1	129	IGB15N60T	SP000054921	IGB15N60TATMA1	123
IDW30S120	SP000919538	IDW30S120FKSA1	128	IGB20N60H3	SP000852232	IGB20N60H3ATMA1	121
IDW40E65D1	SP001015382	IDW40E65D1FKSA1	127	IGB30N60H3	SP000852240	IGB30N60H3ATMA1	121
IDW40E65D2	SP001005474	IDW40E65D2FKSA1	127	IGB30N60T	SP000095765	IGB30N60TATMA1	123
IDW40G65C5	SP000969582	IDW40G65C5FKSA1	129	IGB50N60T	SP000054922	IGB50N60TATMA1	123
IDW50E60	SP000919402	IDW50E60FKSA1	127	IGD01N120H2	SP000014523	IGD01N120H2BUMA1	120
IDW75E60	SP000227824	IDW75E60FKSA1	127	IGD06N60T	SP000960698	IGD06N60TATMA1	123
IFX1021SJ	SP000870896	IFX1021SJXUMA1	163	IGP01N120H2	SP000683036	IGP01N120H2XKSA1	120
IFX1040SJ	SP000938316	IFX1040SJXUMA1	163	IGP03N120H2	SP000683038	IGP03N120H2XKSA1	120
IFX1050G	SP000613990	IFX1050GXUMA1	163	IGP06N60T	SP000683040	IGP06N60TXKSA1	123
IFX1050GVIO	SP000885580	IFX1050GVIOXUMA1	163	IGP10N60T	SP000683042	IGP10N60TXKSA1	123
IFX1054G	SP000613756	IFX1054GXUMA1	163	IGP15N60T	SP000683044	IGP15N60TXKSA1	123
IFX1117ME V33	SP000892486	IFX1117MEV33HTMA1	156	IGP20N60H3	SP000702544	IGP20N60H3XKSA1	121
IFX1117MEV	SP000892488	IFX1117MEVHTMA1	156	IGP30N60H3	SP000702546	IGP30N60H3XKSA1	121
IFX1763XEJ V33	SP000938790	IFX1763XEJV33XUMA1	157	IGP40N65F5	SP000973422	IGP40N65F5XKSA1	122
IFX1763XEJ V50	SP000938802	IFX1763XEJV50XUMA1	157	IGP40N65H5	SP001001738	IGP40N65H5XKSA1	122
IFX1763XEJV	SP000938788	IFX1763XEJVXUMA1	157	IGP50N60T	SP000683046	IGP50N60TXKSA1	123
IFX1963TBV	SP001045786	IFX1963TBVATMA1	156	IGU04N60T	SP001045846	IGU04N60TAKMA1	123
IFX1963TEV	SP001045788	IFX1963TEVATMA1	156	IGW03N120H2	SP000014182	IGW03N120H2FKSA1	120
IFX20001MB V33	SP000623344	IFX20001MBV33HTSA1	156	IGW08T120	SP000013937	IGW08T120FKSA1	123
IFX20001MB V50	SP000623428	IFX20001MBV50HTSA1	155	IGW100N60H3	SP000913772	IGW100N60H3FKSA1	121
IFX20002MB V33	SP001041636	IFX20002MBV33HTSA1	155	IGW15N120H3	SP000674430	IGW15N120H3FKSA1	121
IFX20002MB V50	SP001041644	IFX20002MBV50HTSA1	155	IGW15T120	SP000013888	IGW15T120FKSA1	123
IFX21004TN V51	SP000841766	IFX21004TNV51AKSA1	156	IGW20N60H3	SP000852238	IGW20N60H3FKSA1	121
IFX21401MB	SP000614692	IFX21401MBHTSA1	157	IGW25N120H3	SP000674424	IGW25N120H3FKSA1	121
IFX24401EL V50	SP000639070	IFX24401ELV50XUMA1	155	IGW25T120	SP000013887	IGW25T120FKSA1	123
IFX24401TE V50	SP000660598	IFX24401TEV50ATMA1	155	IGW30N100T	SP000380845	IGW30N100TFKSA1	125
IFX25001ME V25	SP000623288	IFX25001MEV25HTSA1	156	IGW30N60H3	SP000852242	IGW30N60H3FKSA1	121
IFX25001ME V33	SP000623166	IFX25001MEV33HTSA1	156	IGW30N60T	SP000054925	IGW30N60TFKSA1	123
IFX25001TC V10	SP000623084	IFX25001TCV10ATMA1	155	IGW40N120H3	SP000667510	IGW40N120H3FKSA1	121
IFX25001TC V50	SP000611474	IFX25001TCV50ATMA1	155	IGW40N60H3	SP000769926	IGW40N60H3FKSA1	121
IFX25001TC V85	SP000623112	IFX25001TCV85ATMA1	155	IGW40N65F5	SP000973424	IGW40N65F5FKSA1	122
IFX25001TF V33	SP000623156	IFX25001TFV33ATMA1	156	IGW40N65H5	SP001001742	IGW40N65H5FKSA1	122
IFX25001TF V50	SP000614696	IFX25001TFV50ATMA1	155	IGW40T120	SP000013886	IGW40T120FKSA1	123
IFX25001TS V10	SP000623070	IFX25001TSV10AKSA1	155	IGW50N60H3	SP000702548	IGW50N60H3FKSA1	121
IFX25001TS V50	SP000624196	IFX25001TSV50AKSA1	155	IGW50N60T	SP000054926	IGW50N60TFKSA1	123
IFX25001TS V85	SP000623094	IFX25001TSV85AKSA1	155	IGW50N65F5	SP000973426	IGW50N65F5FKSA1	122
IFX25401TB V50	SP000623298	IFX25401TBV50ATMA1	157	IGW50N65H5	SP001001744	IGW50N65H5FKSA1	122
IFX25401TBV	SP000611478	IFX25401TBVATMA1	157	IGW60N60H3	SP000925524	IGW60N60H3FKSA1	121
IFX25401TE V50	SP000623308	IFX25401TEV50ATMA1	157	IGW60T120	SP000013906	IGW60T120FKSA1	123
IFX25401TEV	SP000614698	IFX25401TEVATMA1	157	IGW75N60H3	SP000906804	IGW75N60H3FKSA1	121
IFX27001TF V15	SP000624122	IFX27001TFV15ATMA1	156	IGW75N60T	SP000054927	IGW75N60TFKSA1	123
IFX27001TF V18	SP000624104	IFX27001TFV18ATMA1	156	IHD06N60RA	SP001065448	IHD06N60RAATMA1	125
IFX27001TF V26	SP000624182	IFX27001TFV26ATMA1	156	IHD10N60RA	SP001065450	IHD10N60RAATMA1	125
IFX27001TF V33	SP000624112	IFX27001TFV33ATMA1	156	IHW15N120R3	SP000521590	IHW15N120R3FKSA1	126
IFX27001TF V50	SP000622990	IFX27001TFV50ATMA1	155	IHW15T120	SP000014892	IHW15T120FKSA1	124
IFX27001TFV	SP000624090	IFX27001TFVATMA1	157	IHW20N120R3	SP000437702	IHW20N120R3FKSA1	126
IFX2931G V33	SP000539026	IFX2931GV33XUMA1	156	IHW20N135R3	SP000909532	IHW20N135R3FKSA1	126

Summary of Types

Type	Ordering Code	Orderable Part Number	Page	Type	Ordering Code	Orderable Part Number	Page	
IHW20N135R5	SP001078568	IHW20N135R5XKSA1	126	IKW40N65F5	SP000973418	IKW40N65F5FKSA1	122	
IHW25N120R2	SP000212016	IHW25N120R2FKSA1	126	IKW40N65H5	SP001001730	IKW40N65H5FKSA1	122	
IHW30N100T	SP000086713	IHW30N100TFKSA1	124	IKW40T120	SP000013940	IKW40T120FKSA1	124	
IHW30N110R3	SP000702510	IHW30N110R3FKSA1	126	IKW40T120T2	SP000244962	IKW40N120T2FKSA1	124	
IHW30N120R2	SP000212017	IHW30N120R2FKSA1	126	IKW50N60H3	SP000852244	IKW50N60H3FKSA1	121	
IHW30N120R3	SP000999768	IHW30N120R3FKSA1	126	IKW50N60T	SP000054888	IKW50N60TFKSA1	123	
IHW30N135R3	SP000989496	IHW30N135R3FKSA1	126	IKW50N65F5	SP000973420	IKW50N65F5FKSA1	122	
IHW30N160R2	SP000273701	IHW30N160R2FKSA1	126	IKW50N65H5	SP001001734	IKW50N65H5FKSA1	122	
IHW30N60T	SP000076306	IHW30N60TFKSA1	123	IKW60N60H3	SP000919762	IKW60N60H3FKSA1	121	
IHW30N90T	SP000076322	IHW30N90TFKSA1	124	IKW75N60H3	SP000906806	IKW75N60H3FKSA1	121	
IHW40N120R3	SP000999770	IHW40N120R3FKSA1	126	IKW75N60T	SP000054889	IKW75N60TFKSA1	123	
IHW40N135R3	SP000989498	IHW40N135R3FKSA1	126	ILD1150	SP000911854	ILD1150XUMA1	205	
IHW40N60R	SP000357222	IHW40N60RFKSA1	124	ILD1151	SP000890052	ILD1151XUMA1	205	
IHW40N60RF	SP000621080	IHW40N60RFFKSA1	124	ILD2035	3k	SP000929218	ILD2035E6327HTSA1	205
IHW40T120	SP000014893	IHW40T120FKSA1	124	ILD4001	3k	SP000777082	ILD4001E6327HTSA1	205
IHW40T60	SP000309994	IHW40T60FKSA1	123	ILD4035	3k	SP000694112	ILD4035E6327HTSA1	205
IJW120R070T1	SP000871652	IJW120R070T1FKSA1	129	ILD4071	2.5k	SP000928680	ILD4071XUMA1	205
IJW120R100T1	SP000871656	IJW120R100T1FKSA1	129	ILD4120	2.5k	SP000785284	ILD4120E6327XUMA1	205
IKA03N120H2	SP000215373	IKA03N120H2XKSA1	120	ILD4180	2.5k	SP000750736	ILD4180XUMA1	205
IKA06N60T	SP000215375	IKA06N60TXKSA1	123	ILD6070	2.5k	SP000955324	ILD6070XUMA1	205
IKA08N65F5	SP000973414	IKA08N65F5XKSA1	122	ILD6150	2.5k	SP000955332	ILD6150XUMA1	205
IKA08N65H5	SP001001722	IKA08N65H5XKSA1	122	IPA028N08N3 G	SP000446770	IPA028N08N3GXKSA1	97	
IKA10N60T	SP000215376	IKA10N60TXKSA1	123	IPA030N10N3 G	SP000464914	IPA030N10N3GXKSA1	98	
IKA15N60T	SP000215377	IKA15N60TXKSA1	123	IPA032N06N3 G	SP000453608	IPA032N06N3GXKSA1	95	
IKA15N65F5	SP000973416	IKA15N65F5XKSA1	122	IPA037N08N3 G	SP000446772	IPA037N08N3GXKSA1	97	
IKA15N65H5	SP001001724	IKA15N65H5XKSA1	122	IPA045N10N3 G	SP000478912	IPA045N10N3GXKSA1	98	
IKB03N120H2	SP000014272	IKB03N120H2ATMA1	120	IPA057N06N3 G	SP000457582	IPA057N06N3GXKSA1	95	
IKB06N60T	SP000014954	IKB06N60TATMA1	123	IPA057N08N3 G	SP000454442	IPA057N08N3GXKSA1	97	
IKB10N60T	SP000014833	IKB10N60TATMA1	123	IPA075N15N3 G	SP000607018	IPA075N15N3GXKSA1	100	
IKB15N60T	SP000054882	IKB15N60TATMA1	123	IPA086N10N3 G	SP000485984	IPA086N10N3GXKSA1	98	
IKB20N60H3	SP000852234	IKB20N60H3ATMA1	121	IPA093N06N3 G	SP000451088	IPA093N06N3GXKSA1	95	
IKB20N60T	SP000054883	IKB20N60TATMA1	123	IPA100N08N3 G	SP000473900	IPA100N08N3GXKSA1	97	
IKD03N60RF	SP000942930	IKD03N60RFATMA1	125	IPA105N15N3 G	SP000677850	IPA105N15N3GXKSA1	100	
IKD04N60R	SP000964626	IKD04N60RATMA1	125	IPA126N10N3 G	SP000485964	IPA126N10N3GXKSA1	98	
IKD04N60RA	SP000943854	IKD04N60RAATMA1	125	IPA180N10N3 G	SP000480108	IPA180N10N3GXKSA1	98	
IKD04N60RF	SP000942932	IKD04N60RFATMA1	125	IPA50R140CP	SP000234988	IPA50R140CPXKSA1	104	
IKD06N60R	SP000964628	IKD06N60RATMA1	125	IPA50R190CE	SP000848220	IPA50R190CEXKSA1	103	
IKD06N60RA	SP000979642	IKD06N60RAATMA2	125	IPA50R199CP	SP000236081	IPA50R199CPXKSA1	104	
IKD06N60RF	SP000939364	IKD06N60RFATMA1	125	IPA50R250CP	SP000236080	IPA50R250CPXKSA1	104	
IKD10N60R	SP000964630	IKD10N60RATMA1	125	IPA50R280CE	SP000848218	IPA50R280CEXKSA1	103	
IKD10N60RA	SP001008648	IKD10N60RAATMA2	125	IPA50R299CP	SP000236079	IPA50R299CPXKSA1	104	
IKD10N60RF	SP000939366	IKD10N60RFATMA1	125	IPA50R350CP	SP000236078	IPA50R350CPXKSA1	104	
IKD15N60R	SP000964632	IKD15N60RATMA1	125	IPA50R380CE	SP000848216	IPA50R380CEXKSA1	103	
IKD15N60RA	SP000718888	IKD15N60RAATMA1	125	IPA50R399CP	SP000234987	IPA50R399CPXKSA1	104	
IKD15N60RF	SP000939368	IKD15N60RFATMA1	125	IPA50R500CE	SP000939320	IPA50R500CEXKSA1	103	
IKI04N60T	SP000607046	IKI04N60TXKSA1	123	IPA50R520CP	SP000236076	IPA50R520CPXKSA1	104	
IKP03N120H2	SP000683052	IKP03N120H2XKSA1	120	IPA50R650CE	SP000992086	IPA50R650CEXKSA1	103	
IKP04N60T	SP000683054	IKP04N60TXKSA1	123	IPA50R800CE	SP000992084	IPA50R800CEXKSA1	103	
IKP06N60T	SP000683056	IKP06N60TXKSA1	123	IPA50R950CE	SP000939328	IPA50R950CEXKSA1	103	
IKP08N65F5	SP000973408	IKP08N65F5XKSA1	122	IPA60R099CE	SP000658000	IPA60R099CEXKSA1	106	
IKP08N65H5	SP001001716	IKP08N65H5XKSA1	122	IPA60R125C6	SP000685848	IPA60R125C6XKSA1	106	
IKP10N60T	SP000683062	IKP10N60TXKSA1	123	IPA60R125CP	SP000095275	IPA60R125CPXKSA1	108	
IKP15N60T	SP000683064	IKP15N60TXKSA1	123	IPA60R160C6	SP000652794	IPA60R160C6XKSA1	106	
IKP15N65F5	SP000973410	IKP15N65F5XKSA1	122	IPA60R160P6	SP001017082	IPA60R160P6XKSA1	110	
IKP15N65H5	SP001001718	IKP15N65H5XKSA1	122	IPA60R165CP	SP000964372	IPA60R165CPXKSA1	108	
IKP20N60H3	SP000852236	IKP20N60H3XKSA1	121	IPA60R190C6	SP000621152	IPA60R190C6XKSA1	106	
IKP20N60T	SP000683066	IKP20N60TXKSA1	123	IPA60R190E6	SP000797380	IPA60R190E6XKSA1	110	
IKP40N65F5	SP000973412	IKP40N65F5XKSA1	122	IPA60R190P6	SP001017080	IPA60R190P6XKSA1	110	
IKP40N65H5	SP001001720	IKP40N65H5XKSA1	122	IPA60R199CP	SP000094146	IPA60R199CPXKSA1	108	
IKW03N120H2	SP000014181	IKW03N120H2FKSA1	120	IPA60R230P6	SP001017078	IPA60R230P6XKSA1	110	
IKW08T120	SP000013885	IKW08T120FKSA1	124	IPA60R250CP	SP000310226	IPA60R250CPXKSA1	108	
IKW15N120H3	SP000674422	IKW15N120H3FKSA1	121	IPA60R280C6	SP000645030	IPA60R280C6XKSA1	106	
IKW15T120	SP000013938	IKW15T120FKSA1	124	IPA60R280E6	SP000797292	IPA60R280E6XKSA1	110	
IKW15T120T2	SP000244961	IKW15N120T2FKSA1	124	IPA60R280P6	SP001017076	IPA60R280P6XKSA1	110	
IKW20N60H3	SP000702556	IKW20N60H3FKSA1	121	IPA60R299CP	SP000096438	IPA60R299CPXKSA1	108	
IKW20N60T	SP000054886	IKW20N60TFKSA1	123	IPA60R330P6	SP001017074	IPA60R330P6XKSA1	110	
IKW25N120H3	SP000674418	IKW25N120H3FKSA1	121	IPA60R380C6	SP000660632	IPA60R380C6XKSA1	106	
IKW25T120	SP000013939	IKW25T120FKSA1	124	IPA60R380E6	SP000795300	IPA60R380E6XKSA1	110	
IKW25T120T2	SP000244960	IKW25N120T2FKSA1	124	IPA60R380P6	SP001017072	IPA60R380P6XKSA1	110	
IKW30N60H3	SP000703042	IKW30N60H3FKSA1	121	IPA60R385CP	SP000089316	IPA60R385CPXKSA1	108	
IKW30N60T	SP000054887	IKW30N60TFKSA1	123	IPA60R450E6	SP000842484	IPA60R450E6XKSA1	110	
IKW40N120H3	SP000674416	IKW40N120H3FKSA1	121	IPA60R520C6	SP000645072	IPA60R520C6XKSA1	106	
IKW40N60H3	SP000769928	IKW40N60H3FKSA1	121	IPA60R520CP	SP000405856	IPA60R520CPXKSA1	108	



Summary of Types

Type	Ordering Code	Orderable Part Number	Page	Type	Ordering Code	Orderable Part Number	Page
IPA60R520E6	SP000797614	IPA60R520E6XKSA1	110	IPB067N08N3 G	SP000443636	IPB067N08N3GATMA1	97
IPA60R600C6	SP000660624	IPA60R600C6XKSA1	106	IPB072N15N3 G	SP000386664	IPB072N15N3GATMA1	100
IPA60R600CP	SP000405884	IPA60R600CPXKSA1	108	IPB080N03L G	SP000304104	IPB080N03LGATMA1	92
IPA60R600E6	SP000797298	IPA60R600E6XKSA1	110	IPB081N06L3 G	SP000398076	IPB081N06L3GATMA1	95
IPA60R600P6	SP001017070	IPA60R600P6XKSA1	110	IPB083N10N3 G	SP000458812	IPB083N10N3GATMA1	98
IPA60R750E6	SP000842480	IPA60R750E6XKSA1	110	IPB090N06N3 G	SP000398042	IPB090N06N3GATMA1	95
IPA60R950C6	SP000629360	IPA60R950C6XKSA1	106	IPB096N03L G	SP000254711	IPB096N03LGATMA1	92
IPA65R045C7	SP001080092	IPA65R045C7XKSA1	112	IPB097N08N3 G	SP000474200	IPB097N08N3GATMA1	97
IPA65R065C7	SP001080114	IPA65R065C7XKSA1	112	IPB100N04S2-04	SP000219061	IPB100N04S204ATMA1	80
IPA65R095C7	SP001080126	IPA65R095C7XKSA1	112	IPB100N04S2L-03	SP000219065	IPB100N04S2L03ATMA1	80
IPA65R099C6	SP000895220	IPA65R099C6XKSA1	111	IPB100N04S3-03	SP000260847	IPB100N04S303ATMA1	80
IPA65R110CFD	SP000895230	IPA65R110CFDXKSA1	113	IPB100N04S4-02D	SP000850458	IPB100N04S402DXTMA1	80
IPA65R125C7	SP001080136	IPA65R125C7XKSA1	112	IPB100N04S4-H2	SP000711274	IPB100N04S4H2ATMA1	80
IPA65R150CFD	SP000907026	IPA65R150CFDXKSA1	113	IPB100N06S2-05	SP000218874	IPB100N06S205ATMA1	82
IPA65R190C6	SP000863892	IPA65R190C6XKSA1	111	IPB100N06S2L-05	SP000219003	IPB100N06S2L05ATMA1	82
IPA65R190C7	SP001080140	IPA65R190C7XKSA1	112	IPB100N08S2-07	SP000219044	IPB100N08S207ATMA1	85
IPA65R190CFD	SP000905382	IPA65R190CFDXKSA1	113	IPB100N08S2L-07	SP000219053	IPB100N08S2L07ATMA1	85
IPA65R190E6	SP000863904	IPA65R190E6XKSA1	114	IPB100N10S3-05	SP000261243	IPB100N10S305ATMA1	86
IPA65R225C7	SP001080144	IPA65R225C7XKSA1	112	IPB107N20N3 G	SP000676406	IPB107N20N3GATMA1	101
IPA65R280C6	SP000720898	IPA65R280C6XKSA1	111	IPB107N20NA	SP000877674	IPB107N20NAATMA1	101
IPA65R280E6	SP000795276	IPA65R280E6XKSA1	114	IPB108N15N3 G	SP000677862	IPB108N15N3GATMA1	100
IPA65R310CFD	SP000890320	IPA65R310CFDXKSA1	113	IPB120N04S3-02	SP000261216	IPB120N04S302ATMA1	80
IPA65R380C6	SP000720896	IPA65R380C6XKSA1	111	IPB120N04S4-01	SP000705700	IPB120N04S401ATMA1	80
IPA65R380E6	SP000795282	IPA65R380E6XKSA1	114	IPB120N04S4-02	SP000764726	IPB120N04S402ATMA1	80
IPA65R420CFD	SP000890322	IPA65R420CFDXKSA1	113	IPB120N06S4-02	SP000415560	IPB120N06S402ATMA1	83
IPA65R600C6	SP000850502	IPA65R600C6XKSA1	111	IPB120N06S4-02	SP001028776	IPB120N06S402ATMA2	83
IPA65R600E6	SP000799140	IPA65R600E6XKSA1	114	IPB120N06S4-03	SP000415558	IPB120N06S403ATMA1	83
IPA65R660CFD	SP000838284	IPA65R660CFDXKSA1	113	IPB120N06S4-03	SP001028770	IPB120N06S403ATMA2	83
IPA90R1K0C3	SP000413712	IPA90R1K0C3XKSA1	115	IPB120N06S4-H1	SP000396274	IPB120N06S4H1ATMA1	83
IPA90R1K2C3	SP000413714	IPA90R1K2C3XKSA1	115	IPB120N06S4-H1	SP001028782	IPB120N06S4H1ATMA2	83
IPA90R340C3	SP000415916	IPA90R340C3XKSA1	115	IPB120P04P4-04	SP000842270	IPB120P04P404ATMA1	88
IPA90R500C3	SP000413716	IPA90R500C3XKSA1	115	IPB120P04P4L-03	SP000842284	IPB120P04P4L03ATMA1	88
IPA90R800C3	SP000413718	IPA90R800C3XKSA1	115	IPB123N10N3 G	SP000485968	IPB123N10N3GATMA1	97
IPB009N03L G	SP000394657	IPB009N03LGATMA1	92	IPB136N08N3 G	SP000447512	IPB136N08N3GATMA1	98
IPB010N06N	SP000917410	IPB010N06NATMA1	95	IPB144N12N3 G	SP000694166	IPB144N12N3GATMA1	100
IPB011N04L G	SP000391498	IPB011N04LGATMA1	94	IPB147N03L G	SP000254712	IPB147N03LGATMA1	92
IPB011N04N G	SP000388298	IPB011N04NGATMA1	94	IPB160N04S2-03	SP000218151	IPB160N04S203ATMA1	80
IPB014N06N	SP000917408	IPB014N06NATMA1	95	IPB160N04S2L-03	SP000218153	IPB160N04S2L03ATMA1	80
IPB015N04L G	SP000387948	IPB015N04LGATMA1	94	IPB160N04S3-H2	SP000254818	IPB160N04S3H2ATMA1	80
IPB015N04N G	SP000391522	IPB015N04NGATMA1	94	IPB160N04S4-02D	SP000850452	IPB160N04S402DXTMA1	80
IPB016N06L3 G	SP000453040	IPB016N06L3GATMA1	95	IPB160N04S4-H1	SP000711252	IPB160N04S4H1ATMA1	86
IPB017N06N3 G	SP000434404	IPB017N06N3GATMA1	95	IPB17N25S3-100	SP000876560	IPB17N25S3100ATMA1	80
IPB019N06L3 G	SP000453020	IPB019N06L3GATMA1	95	IPB180N03S4L-01	SP000555002	IPB180N03S4L01ATMA1	79
IPB019N08N3 G	SP000444110	IPB019N08N3GATMA1	97	IPB180N03S4L-H	SP000555050	IPB180N03S4LH0ATMA1	79
IPB020N04N G	SP000359157	IPB020N04NGATMA1	94	IPB180N04S3-02	SP000254821	IPB180N04S302ATMA1	80
IPB020NE7N3 G	SP000676950	IPB020NE7N3GATMA1	97	IPB180N04S4-00	SP000646176	IPB180N04S400ATMA1	80
IPB025N08N3 G	SP000311980	IPB025N08N3GATMA1	97	IPB180N04S4-H0	SP000711248	IPB180N04S4H0ATMA1	80
IPB025N10N3 G	SP000469888	IPB025N10N3GATMA1	98	IPB180N04S4-H1	SP000705694	IPB180N04S401ATMA1	80
IPB025N10N3 G	SP000939338	IPB025N10N3GE8187ATMA1	98	IPB180N06S4-H1	SP000415562	IPB180N06S4H1ATMA1	83
IPB026N06N	SP000962142	IPB026N06NATMA1	95	IPB180N06S4-H1	SP001028786	IPB180N06S4H1ATMA2	83
IPB027N10N3 G	SP000506508	IPB027N10N3GATMA1	98	IPB180N10S4-02	SP001057184	IPB180N10S402ATMA1	86
IPB029N06N3 G	SP000453052	IPB029N06N3GATMA1	95	IPB180P04P4-03	SP000840202	IPB180P04P403ATMA1	88
IPB029N06N3 G	SP000939334	IPB029N06N3GE8187ATMA1	95	IPB180P04P4L-02	SP000709460	IPB180P04P4L02ATMA1	88
IPB030N08N3 G	SP000444100	IPB030N08N3GATMA1	97	IPB200N15N3 G	SP000414740	IPB200N15N3GATMA1	100
IPB031NE7N3 G	SP000641730	IPB031NE7N3GATMA1	97	IPB200N25N3 G	SP000677896	IPB200N25N3GATMA1	101
IPB034N03L G	SP000304126	IPB034N03LGATMA1	92	IPB22N03S4L-15	SP000275308	IPB22N03S4L15ATMA1	79
IPB034N06L3 G	SP000398062	IPB034N06L3GATMA1	95	IPB320N20N3 G	SP000691172	IPB320N20N3GATMA1	101
IPB035N08N3 G	SP000457588	IPB035N08N3GATMA1	97	IPB35N10S3L-26	SP000776044	IPB35N10S3L26ATMA1	86
IPB036N12N3 G	SP000675204	IPB036N12N3GATMA1	100	IPB45N04S4-08	SP000711444	IPB45N04S4L08ATMA1	80
IPB037N06N3 G	SP000397986	IPB037N06N3GATMA1	95	IPB45N06S4-09	SP000374315	IPB45N06S409ATMA1	83
IPB038N12N3 G	SP000694160	IPB038N12N3GATMA1	100	IPB45N06S4-09	SP001028652	IPB45N06S409ATMA2	83
IPB039N10N3 G	SP000482428	IPB039N10N3GATMA1	98	IPB45N06S4L-08	SP000374316	IPB45N06S4L08ATMA1	83
IPB039N10N3 G	SP000939340	IPB039N10N3GE8187ATMA1	98	IPB45N06S4L-08	SP001028654	IPB45N06S4L08ATMA2	83
IPB042N03L G	SP000304124	IPB042N03LGATMA1	92	IPB45P03P4L-11	SP000396276	IPB45P03P4L11ATMA1	89
IPB042N10N3 G	SP000446880	IPB042N10N3GATMA1	98	IPB47N10S-33	SP000225702	IPB47N10S33ATMA1	86
IPB042N10N3 G	SP000939332	IPB042N10N3GE8187ATMA1	98	IPB47N10SL-26	SP000225701	IPB47N10SL26ATMA1	86
IPB049NE7N3 G	SP000641752	IPB049NE7N3GATMA1	97	IPB50N10S3L-16	SP000386183	IPB50N10S3L16ATMA1	86
IPB054N06N3 G	SP000446782	IPB054N06N3GATMA1	95	IPB50R140CP	SP000212746	IPB50R140CPATMA1	104
IPB054N08N3 G	SP000395166	IPB054N08N3GATMA1	97	IPB50R199CP	SP000236092	IPB50R199CPATMA1	104
IPB055N03L G	SP000304110	IPB055N03LGATMA1	92	IPB50R250CP	SP000236093	IPB50R250CPATMA1	104
IPB057N06N	SP000962140	IPB057N06NATMA1	95	IPB50R299CP	SP000236094	IPB50R299CPATMA1	104
IPB065N03L G	SP000254709	IPB065N03LGATMA1	92	IPB530N15N3 G	SP000521718	IPB530N15N3GATMA1	100
IPB065N15N3 G	SP000521724	IPB065N15N3GATMA1	100	IPB600N25N3 G	SP000676408	IPB600N25N3GATMA1	101

Summary of Types

Type	Ordering Code	Orderable Part Number	Page	Type	Ordering Code	Orderable Part Number	Page
IPB60R099C6	SP000687468	IPB60R099C6ATMA1	106	IPB80N06S2L-11	SP000218177	IPB80N06S2L11ATMA1	82
IPB60R099CP	SP000088490	IPB60R099CPATMA1	108	IPB80N06S2L-H5	SP000219068	IPB80N06S2LH5ATMA1	82
IPB60R099CPA	SP000315443	IPB60R099CPAATMA1	87	IPB80N06S4-05	SP000415566	IPB80N06S405ATMA1	83
IPB60R125C6	SP000687456	IPB60R125C6ATMA1	106	IPB80N06S4-05	SP001028718	IPB80N06S405ATMA2	83
IPB60R125CP	SP000297368	IPB60R125CPATMA1	108	IPB80N06S4-07	SP000415568	IPB80N06S407ATMA1	83
IPB60R160C6	SP000687552	IPB60R160C6ATMA1	106	IPB80N06S4-07	SP001028672	IPB80N06S407ATMA2	83
IPB60R165CP	SP000096439	IPB60R165CPATMA1	108	IPB80N06S4L-05	SP000415570	IPB80N06S4L05ATMA1	83
IPB60R190C6	SP000641916	IPB60R190C6ATMA1	106	IPB80N06S4L-05	SP001028720	IPB80N06S4L05ATMA2	83
IPB60R199CP	SP000223256	IPB60R199CPATMA1	108	IPB80N06S4L-07	SP000415572	IPB80N06S4L07ATMA1	83
IPB60R199CPA	SP000539966	IPB60R199CPAATMA1	87	IPB80N06S4L-07	SP001028674	IPB80N06S4L07ATMA2	83
IPB60R250CP	SP000358140	IPB60R250CPATMA1	108	IPB80N08S2-07	SP000219048	IPB80N08S207ATMA1	85
IPB60R280C6	SP000687550	IPB60R280C6ATMA1	106	IPB80N08S2L-07	SP000219051	IPB80N08S2L07ATMA1	85
IPB60R299CP	SP000301161	IPB60R299CPATMA1	108	IPB80P03P4-05	SP000396282	IPB80P03P405ATMA1	89
IPB60R299CPA	SP000539970	IPB60R299CPAATMA1	87	IPB80P03P4L-04	SP000396284	IPB80P03P4L04ATMA1	89
IPB60R380C6	SP000660634	IPB60R380C6ATMA1	106	IPB80P03P4L-07	SP000396288	IPB80P03P4L07ATMA1	89
IPB60R385CP	SP000228365	IPB60R385CPATMA1	108	IPB80P04P4-05	SP000652618	IPB80P04P405ATMA1	88
IPB60R520CP	SP000405868	IPB60R520CPATMA1	108	IPB80P04P4-07	SP000842038	IPB80P04P407ATMA1	88
IPB60R600C6	SP000660626	IPB60R600C6ATMA1	106	IPB80P04P4L-04	SP000840196	IPB80P04P4L04ATMA1	88
IPB60R600CP	SP000405892	IPB60R600CPATMA1	108	IPB80P04P4L-06	SP000842046	IPB80P04P4L06ATMA1	88
IPB60R950C6	SP000660620	IPB60R950C6ATMA1	106	IPB80P04P4L-08	SP000840208	IPB80P04P4L08ATMA1	88
IPB64N25S3-20	SP000876596	IPB64N25S320ATMA1	86	IPB90N04S4-02	SP000646182	IPB90N04S402ATMA1	80
IPB65R045C7	SP000929420	IPB65R045C7ATMA1	112	IPB90N06S4-04	SP000379632	IPB90N06S404ATMA1	83
IPB65R065C7	SP001080110	IPB65R065C7ATMA1	112	IPB90N06S4-04	SP001028754	IPB90N06S404ATMA2	83
IPB65R095C7	SP001080124	IPB65R095C7ATMA1	112	IPB90N06S4L-04	SP000415574	IPB90N06S4L04ATMA1	83
IPB65R099C6	SP000895224	IPB65R099C6ATMA1	111	IPB90N06S4L-04	SP001028756	IPB90N06S4L04ATMA2	83
IPB65R110CFD	SP000896400	IPB65R110CFDATMA1	113	IPB90R340C3	SP000944226	IPB90R340C3ATMA1	115
IPB65R110CFDA	SP000896402	IPB65R110CFDAATMA1	87	IPD025N06N	SP000988276	IPD025N06NATMA1	95
IPB65R125C7	SP001080134	IPB65R125C7ATMA1	112	IPD031N03L G	SP000680554	IPD031N03LGATMA1	92
IPB65R150CFD	SP000907034	IPB65R150CFDATMA1	113	IPD031N06L3 G	SP000451076	IPD031N06L3GATMA1	95
IPB65R150CFDA	SP000928270	IPB65R150CFDAATMA1	87	IPD034N06N3 G	SP000451070	IPD034N06N3GATMA1	95
IPB65R190C6	SP000863890	IPB65R190C6ATMA1	111	IPD036N04L G	SP000387945	IPD036N04LGBTMA1	94
IPB65R190C7	SP000929424	IPB65R190C7ATMA1	112	IPD038N06N3 G	SP000397994	IPD038N06N3GATMA1	95
IPB65R190CFD	SP000905378	IPB65R190CFDATMA1	113	IPD040N03L G	SP000680628	IPD040N03LGATMA1	92
IPB65R190CFDA	SP000928264	IPB65R190CFDAATMA1	87	IPD042P03L3 G	SP000473922	IPD042P03L3GBTMA1	117
IPB65R225C7	SP000992480	IPB65R225C7ATMA1	112	IPD048N06L3 G	SP000453334	IPD048N06L3GBTMA1	95
IPB65R280C6	SP000745030	IPB65R280C6ATMA1	111	IPD050N03L G	SP000680630	IPD050N03LGATMA1	92
IPB65R280E6	SP000795274	IPB65R280E6ATMA1	114	IPD053N06N	SP000962138	IPD053N06NATMA1	96
IPB65R310CFD	SP000745032	IPB65R310CFDATMA1	113	IPD053N08N3 G	SP000395183	IPD053N08N3GBTMA1	97
IPB65R310CFDA	SP000879440	IPB65R310CFDAATMA1	87	IPD060N03L G	SP000680632	IPD060N03LGATMA1	92
IPB65R380C6	SP000785084	IPB65R380C6ATMA1	111	IPD068N10N3 G	SP000469892	IPD068N10N3GBTMA1	99
IPB65R420CFD	SP000890680	IPB65R420CFDATMA1	113	IPD068P03L3 G	SP000472988	IPD068P03L3GBTMA1	117
IPB65R600C6	SP000794382	IPB65R600C6ATMA1	111	IPD075N03L G	SP000680634	IPD075N03LGATMA1	92
IPB65R660CFD	SP000861698	IPB65R660CFDATMA1	113	IPD079N06L3 G	SP000453626	IPD079N06L3GBTMA1	96
IPB65R660CFDA	SP000875794	IPB65R660CFDAATMA1	87	IPD082N10N3 G	SP000485986	IPD082N10N3GBTMA1	99
IPB70N04S3-07	SP000279556	IPB70N04S307ATMA1	80	IPD088N06N3 G	SP000453620	IPD088N06N3GBTMA1	96
IPB70N04S4-06	SP000711476	IPB70N04S406ATMA1	80	IPD090N03L G	SP000680636	IPD090N03LGATMA1	92
IPB70N10S3-05	SP000261246	IPB70N10S312ATMA1	86	IPD096N08N3 G	SP000474196	IPD096N08N3GBTMA1	97
IPB70N10S3L-12	SP000379631	IPB70N10S3L12ATMA1	86	IPD100N04S4-02	SP000646184	IPD100N04S402ATMA1	80
IPB70N10SL-16	SP000225700	IPB70N10SL16ATMA1	86	IPD100N06S4-03	SP000415576	IPD100N06S403ATMA1	83
IPB70P04P4-09	SP000735964	IPB70P04P409ATMA1	88	IPD100N06S4-03	SP001028766	IPD100N06S403ATMA2	83
IPB77N06S2-12	SP000218173	IPB77N06S212ATMA1	82	IPD105N03L G	SP000254717	IPD105N03LGBTMA1	92
IPB80N03S4L-02	SP000273282	IPB80N03S4L02ATMA1	79	IPD105N03L G	SP000796910	IPD105N03LGATMA1	92
IPB80N03S4L-03	SP000274982	IPB80N03S4L03ATMA1	79	IPD110N12N3 G	SP000674466	IPD110N12N3GBUMA1	100
IPB80N04S2-04	SP000218154	IPB80N04S204ATMA1	80	IPD122N10N3 G	SP000485966	IPD122N10N3GBTMA1	99
IPB80N04S2-H4	SP000218165	IPB80N04S2H4ATMA1	80	IPD127N06L G	SP000443740	IPD127N06LGBTMA1	96
IPB80N04S2L-03	SP000220158	IPB80N04S2L03ATMA1	80	IPD12CN10N G	SP000096476	IPD12CN10NGBUMA1	99
IPB80N04S3-03	SP000260848	IPB80N04S303ATMA1	80	IPD135N03L G	SP000236951	IPD135N03LGBTMA1	92
IPB80N04S3-04	SP000261217	IPB80N04S304ATMA1	80	IPD135N03L G	SP000796912	IPD135N03LGATMA1	92
IPB80N04S3-06	SP000254822	IPB80N04S306ATMA1	80	IPD135N08N3 G	SP000454266	IPD135N08N3GBTMA1	97
IPB80N04S3-H4	SP000415564	IPB80N04S3H4ATMA1	80	IPD14N06S2-80	SP000252161	IPD14N06S280ATMA1	82
IPB80N04S4-03	SP000671628	IPB80N04S403ATMA1	80	IPD15N06S2L-64	SP000252162	IPD15N06S2L64ATMA1	82
IPB80N04S4-04	SP000646178	IPB80N04S404ATMA1	80	IPD180N10N3 G	SP000482438	IPD180N10N3GBTMA1	99
IPB80N04S4L-04	SP000646180	IPB80N04S4L04ATMA1	80	IPD200N15N3 G	SP000386665	IPD200N15N3GBTMA1	100
IPB80N06S2-05	SP000218877	IPB80N06S205ATMA1	82	IPD220N06L3 G	SP000453644	IPD220N06L3GBTMA1	96
IPB80N06S2-07	SP000218818	IPB80N06S207ATMA1	82	IPD22N08S2L-50	SP000252163	IPD22N08S2L50ATMA1	85
IPB80N06S2-08	SP000218830	IPB80N06S208ATMA1	82	IPD25CN10N G	SP000096456	IPD25CN10NGBUMA1	99
IPB80N06S2-09	SP000218741	IPB80N06S209ATMA1	82	IPD25N06S2-40	SP000252164	IPD25N06S240ATMA1	82
IPB80N06S2-H5	SP000377048	IPB80N06S2H5AUMA1	82	IPD25N06S4L-30	SP000481508	IPD25N06S4L30ATMA1	84
IPB80N06S2-H5	SP000218162	IPB80N06S2H5ATMA1	82	IPD25N06S4L-30	SP001028636	IPD25N06S4L30ATMA2	84
IPB80N06S2L-05	SP000219004	IPB80N06S2L05ATMA1	82	IPD26N06S2L-35	SP000252165	IPD26N06S2L35ATMA1	82
IPB80N06S2L-06	SP000218163	IPB80N06S2L06ATMA1	82	IPD30N03S2L-07	SP000254463	IPD30N03S2L07ATMA1	79
IPB80N06S2L-07	SP000218867	IPB80N06S2L07ATMA1	82	IPD30N03S2L-10	SP000254465	IPD30N03S2L10ATMA1	79
IPB80N06S2L-09	SP000218743	IPB80N06S2L09ATMA1	82	IPD30N03S2L-20	SP000254466	IPD30N03S2L20ATMA1	79



Summary of Types

Type	Ordering Code	Orderable Part Number	Page	Type	Ordering Code	Orderable Part Number	Page
IPD30N03S4L-09	SP000415578	IPD30N03S4L09ATMA1	79	IPD60R520CP	SP000680640	IPD60R520CPATMA1	108
IPD30N03S4L-14	SP000275919	IPD30N03S4L14ATMA1	79	IPD60R520CP	SP000405852	IPD60R520CPBTMA1	108
IPD30N06S2-15	SP000252160	IPD30N06S215ATMA1	82	IPD60R600C6	SP001117726	IPD60R600C6ATMA1	107
IPD30N06S2-23	SP000252166	IPD30N06S223ATMA1	82	IPD60R600C6	SP000660622	IPD60R600C6BTMA1	107
IPD30N06S2L-13	SP000252167	IPD30N06S2L13ATMA1	82	IPD60R600CP	SP000405878	IPD60R600CPBTMA1	108
IPD30N06S2L-23	SP000252168	IPD30N06S2L23ATMA1	82	IPD60R600E6	SP000797374	IPD60R600E6BTMA1	110
IPD30N06S4L-23	SP000374320	IPD30N06S4L23ATMA1	84	IPD60R600P6	SP001017050	IPD60R600P6BTMA1	110
IPD30N06S4L-23	SP001028638	IPD30N06S4L23ATMA2	84	IPD60R750E6	SP001117728	IPD60R750E6ATMA1	110
IPD30N08S2-22	SP000252169	IPD30N08S222ATMA1	85	IPD60R750E6	SP000801094	IPD60R750E6BTMA1	110
IPD30N08S2L-21	SP000252170	IPD30N08S2L21ATMA1	85	IPD60R950C6	SP001117730	IPD60R950C6ATMA1	107
IPD30N10S3L-34	SP000261248	IPD30N10S3L34ATMA1	86	IPD60R950C6	SP000629368	IPD60R950C6BTMA1	107
IPD320N20N3 G	SP000677838	IPD320N20N3GBTMA1	101	IPD64N06L G	SP000443766	IPD64N06LGBTMA1	96
IPD33CN10N G	SP000096458	IPD33CN10NGBUMA1	99	IPD65R190C7	SP000928648	IPD65R190C7ATMA1	112
IPD350N06L G	SP000443746	IPD350N06LGBTMA1	96	IPD65R1K4C6	SP001107078	IPD65R1K4C6ATMA1	111
IPD35N10S3L-26	SP000386184	IPD35N10S3L26ATMA1	86	IPD65R1K4CFD	SP001117732	IPD65R1K4CFDATMA1	113
IPD400N06L G	SP000443744	IPD400N06NGBTMA1	96	IPD65R1K4CFD	SP000953126	IPD65R1K4CFDBTMA1	113
IPD40N03S4L-08	SP000475916	IPD40N03S4L08ATMA1	79	IPD65R225C7	SP000929430	IPD65R225C7ATMA1	112
IPD50N03S2-07	SP000254462	IPD50N03S207ATMA1	79	IPD65R250C6	SP000898654	IPD65R250C6XTMA1	111
IPD50N03S2L-06	SP000254461	IPD50N03S2L06ATMA1	79	IPD65R250E6	SP000898656	IPD65R250E6XTMA1	114
IPD50N03S4L-06	SP000415580	IPD50N03S4L06ATMA1	79	IPD65R380C6	SP001117734	IPD65R380C6ATMA1	111
IPD50N04S3-08	SP000261218	IPD50N04S308ATMA1	80	IPD65R380C6	SP000745022	IPD65R380C6BTMA1	111
IPD50N04S3-09	SP000415582	IPD50N04S309ATMA1	80	IPD65R380E6	SP001117736	IPD65R380E6ATMA1	114
IPD50N04S4-08	SP000711450	IPD50N04S408ATMA1	80	IPD65R380E6	SP000795278	IPD65R380E6BTMA1	114
IPD50N04S4-10	SP000711466	IPD50N04S410ATMA1	80	IPD65R420CFD	SP001117738	IPD65R420CFDATMA1	113
IPD50N04S4L-08	SP000711456	IPD50N04S4L08ATMA1	80	IPD65R420CFD	SP000891704	IPD65R420CFDBTMA1	113
IPD50N06S2-14	SP000252171	IPD50N06S214ATMA1	82	IPD65R420CFDA	SP000928262	IPD65R420CFDAATMA1	87
IPD50N06S2L-13	SP000252172	IPD50N06S2L13ATMA1	82	IPD65R600C6	SP000745020	IPD65R600C6BTMA1	111
IPD50N06S4-09	SP000374321	IPD50N06S409ATMA1	84	IPD65R600E6	SP001117096	IPD65R600E6ATMA1	114
IPD50N06S4-09	SP001028662	IPD50N06S409ATMA2	84	IPD65R600E6	SP000800216	IPD65R600E6BTMA1	114
IPD50N06S4L-08	SP000374322	IPD50N06S4L08ATMA1	83	IPD65R660CFD	SP001117748	IPD65R660CFDATMA1	113
IPD50N06S4L-08	SP001028664	IPD50N06S4L08ATMA2	83	IPD65R660CFD	SP000745024	IPD65R660CFDBTMA1	113
IPD50N06S4L-12	SP000476422	IPD50N06S4L12ATMA1	84	IPD65R660CFDA	SP000928260	IPD65R660CFDAATMA1	87
IPD50N06S4L-12	SP001028640	IPD50N06S4L12ATMA2	84	IPD65R950C6	SP001107082	IPD65R950C6ATMA1	111
IPD50N10S3L-16	SP000386185	IPD50N10S3L16ATMA1	86	IPD65R950CFD	SP001117750	IPD65R950CFDATMA1	113
IPD50P03P4L-11	SP000396290	IPD50P03P4L11ATMA1	89	IPD65R950CFD	SP000953124	IPD65R950CFDBTMA1	113
IPD50P04P4-13	SP000840204	IPD50P04P413ATMA1	88	IPD70N03S4L-04	SP000274986	IPD70N03S4L04ATMA1	79
IPD50P04P4L-11	SP000671156	IPD50P04P4L11ATMA1	88	IPD70N04S3-07	SP000261221	IPD70N04S307ATMA1	80
IPD50R1K4CE	SP000992072	IPD50R1K4CEBTMA1	103	IPD70N10S3-12	SP000427248	IPD70N10S312ATMA1	86
IPD50R280CE	SP000920282	IPD50R280CEBTMA1	103	IPD70N10S3L-12	SP000261250	IPD70N10S3L12ATMA1	86
IPD50R2K0CE	SP001023988	IPD50R2K0CEBTMA1	103	IPD70P04P4-09	SP000709326	IPD70P04P409ATMA1	88
IPD50R380CE	SP001117698	IPD50R380CEATMA1	103	IPD70P04P4L-08	SP000840206	IPD70P04P4L08ATMA1	88
IPD50R380CE	SP000992080	IPD50R380CEBTMA1	103	IPD75N04S4-06	SP000711472	IPD75N04S406ATMA1	90
IPD50R399CP	SP001117700	IPD50R399CPATMA1	104	IPD78CN10N G	SP000096460	IPD78CN10NGBUMA1	89
IPD50R399CP	SP000307379	IPD50R399CPBTMA1	104	IPD80N04S3-06	SP000261220	IPD80N04S306ATMA1	80
IPD50R3K0CE	SP000992074	IPD50R3K0CEBTMA1	103	IPD80P03P4L-07	SP000396296	IPD80P03P4L07ATMA1	89
IPD50R500CE	SP001117704	IPD50R500CEATMA1	103	IPD80R1K0CE	SP001130974	IPD80R1K0CEATMA1	115
IPD50R500CE	SP000988424	IPD50R500CEBTMA1	103	IPD80R1K0CE	SP001100606	IPD80R1K0CEBTMA1	115
IPD50R520CP	SP001117706	IPD50R520CPATMA1	104	IPD80R1K4CE	SP001130972	IPD80R1K4CEATMA1	115
IPD50R520CP	SP000307380	IPD50R520CPBTMA1	104	IPD80R1K4CE	SP001100604	IPD80R1K4CEBTMA1	115
IPD50R650CE	SP001117708	IPD50R650CEATMA1	103	IPD80R2K8CE	SP001130970	IPD80R2K8CEATMA1	115
IPD50R650CE	SP000992078	IPD50R650CEBTMA1	103	IPD80R2K8CE	SP001100602	IPD80R2K8CEBTMA1	115
IPD50R800CE	SP001117710	IPD50R800CEATMA1	103	IPD85P04P4-07	SP000842066	IPD85P04P407ATMA1	88
IPD50R800CE	SP000992076	IPD50R800CEBTMA1	103	IPD85P04P4L-06	SP000842056	IPD85P04P4L06ATMA1	88
IPD50R950CE	SP000992070	IPD50R950CEBTMA1	103	IPD90N03S4L-02	SP000273284	IPD90N03S4L02ATMA1	79
IPD530N15N3 G	SP000521720	IPD530N15N3GBTMA1	100	IPD90N03S4L-03	SP000274978	IPD90N03S4L03ATMA1	79
IPD5N25S3-430	SP000876584	IPD5N25S3430ATMA1	86	IPD90N04S3-04	SP000261222	IPD90N04S304ATMA1	80
IPD600N25N3 G	SP000676404	IPD600N25N3GBTMA1	101	IPD90N04S3-H4	SP000415584	IPD90N04S3H4ATMA1	80
IPD60N10S4L-12	SP000866550	IPD60N10S4L12ATMA1	86	IPD90N04S4-02	SP000673890	IPD90N04S402ATMA1	80
IPD60R1K4C6	SP000799134	IPD60R1K4C6BTMA1	107	IPD90N04S4-03	SP000671630	IPD90N04S403ATMA1	80
IPD60R2K0C6	SP000799132	IPD60R2K0C6BTMA1	107	IPD90N04S4-04	SP000646186	IPD90N04S404ATMA1	80
IPD60R380C6	SP001117716	IPD60R380C6ATMA1	106	IPD90N04S4-05	SP000711460	IPD90N04S405ATMA1	80
IPD60R380C6	SP000660628	IPD60R380C6BTMA1	106	IPD90N04S4L-04	SP000646188	IPD90N04S4L04ATMA1	80
IPD60R380E6	SP001105392	IPD60R380E6BTMA1	110	IPD90N06S4-04	SP000374323	IPD90N06S404ATMA1	83
IPD60R380P6	SP001017052	IPD60R380P6BTMA1	110	IPD90N06S4-04	SP001028762	IPD90N06S404ATMA2	83
IPD60R380P6	SP001135814	IPD60R380P6ATMA1	110	IPD90N06S4-05	SP000481510	IPD90N06S405ATMA1	83
IPD60R385CP	SP000680638	IPD60R385CPATMA1	108	IPD90N06S4-05	SP001028730	IPD90N06S405ATMA2	83
IPD60R385CP	SP000307381	IPD60R385CPBTMA1	108	IPD90N06S4-07	SP000415586	IPD90N06S407ATMA1	83
IPD60R3K3C6	SP001117718	IPD60R3K3C6ATMA1	107	IPD90N06S4-07	SP001028680	IPD90N06S407ATMA2	83
IPD60R3K3C6	SP000799130	IPD60R3K3C6BTMA1	107	IPD90N06S4L-03	SP000374326	IPD90N06S4L03ATMA1	83
IPD60R450E6	SP001117720	IPD60R450E6ATMA1	110	IPD90N06S4L-03	SP001028764	IPD90N06S4L03ATMA2	83
IPD60R450E6	SP000801092	IPD60R450E6BTMA1	110	IPD90N06S4L-05	SP000415588	IPD90N06S4L05ATMA1	83
IPD60R520C6	SP001117722	IPD60R520C6ATMA1	107	IPD90N06S4L-05	SP001028748	IPD90N06S4L05ATMA2	83
IPD60R520C6	SP000645070	IPD60R520C6BTMA1	107	IPD90N06S4L-06	SP000415594	IPD90N06S4L06ATMA1	83

Summary of Types

Type	Ordering Code	Orderable Part Number	Page	Type	Ordering Code	Orderable Part Number	Page
IPD90N06S4L-06	SP001028682	IPD90N06S4L06ATMA2	83	IPI180N10N3 G	SP000683076	IPI180N10N3GXKSA1	99
IPD90N10S4L-06	SP000866562	IPD90N10S4L06ATMA1	86	IPI200N15N3 G	SP000680722	IPI200N15N3GXKSA1	100
IPD90P03P4-04	SP000396298	IPD90P03P404ATMA1	89	IPI200N25N3 G	SP000714308	IPI200N25N3GAKSA1	101
IPD90P03P4L-04	SP000396300	IPD90P03P4L04ATMA1	89	IPI22N03S4L-15	SP000277016	IPI22N03S4L15AKSA1	79
IPD90P04P4-05	SP000671164	IPD90P04P405ATMA1	88	IPI320N20N3 G	SP000714312	IPI320N20N3GAKSA1	101
IPD90P04P4-05	SP001004240	IPD90P04P405AUMA1	88	IPI45N06S4-09	SP000374332	IPI45N06S409AKSA1	84
IPD90P04P4L-04	SP000840194	IPD90P04P4L04ATMA1	88	IPI45N06S4-09	SP001028656	IPI45N06S409AKSA2	84
IPD90R1K2C3	SP001117752	IPD90R1K2C3ATMA1	115	IPI45N06S4L-08	SP000374333	IPI45N06S4L08AKSA1	84
IPD90R1K2C3	SP000413720	IPD90R1K2C3BTMA1	115	IPI45N06S4L-08	SP001028660	IPI45N06S4L08AKSA2	84
IPG16N10S4-61	SP000892972	IPG16N10S461ATMA1	86	IPI45P03P4L-11	SP000396310	IPI45P03P4L11AKSA1	89
IPG20N04S4-08	SP000705582	IPG20N04S408ATMA1	81	IPI47N10S-33	SP000225703	IPI47N10S33AKSA1	86
IPG20N04S4-08A	SP000938100	IPG20N04S408AATMA1	81	IPI47N10SL-26	SP000225704	IPI47N10SL26AKSA1	86
IPG20N04S4-09	SP000705570	IPG20N04S409ATMA1	81	IPI50N10S3L-16	SP000407120	IPI50N10S3L16AKSA1	86
IPG20N04S4-12	SP000705560	IPG20N04S412ATMA1	81	IPI50R140CP	SP000680734	IPI50R140CPXKSA1	104
IPG20N04S4-12A	SP000938098	IPG20N04S412AATMA1	81	IPI50R199CP	SP000523756	IPI50R199CPXKSA1	104
IPG20N04S4L-07	SP000705484	IPG20N04S4L07ATMA1	81	IPI50R250CP	SP000523750	IPI50R250CPXKSA1	104
IPG20N04S4L-07A	SP001061264	IPG20N04S4L07AATMA1	81	IPI50R299CP	SP000523748	IPI50R299CPXKSA1	104
IPG20N04S4L-08	SP000705576	IPG20N04S4L08ATMA1	81	IPI50R350CP	SP000680736	IPI50R350CPXKSA1	104
IPG20N04S4L-11	SP000705564	IPG20N04S4L11ATMA1	81	IPI50R399CP	SP000259979	IPI50R399CPXKSA1	104
IPG20N06S2L-35	SP000613718	IPG20N06S2L35ATMA1	82	IPI50R399CP	SP000680738	IPI50R399CPXKSA1	104
IPG20N06S2L-35A	SP001023838	IPG20N06S2L35AATMA1	82	IPI530N15N3 G	SP000807642	IPI530N15N3GXKSA1	100
IPG20N06S2L-50	SP000613728	IPG20N06S2L50ATMA1	82	IPI600N25N3 G	SP000714316	IPI600N25N3GAKSA1	101
IPG20N06S2L-50A	SP001023842	IPG20N06S2L50AATMA1	82	IPI60R099CP	SP000297356	IPI60R099CPXKSA1	108
IPG20N06S2L-65	SP000613722	IPG20N06S2L65ATMA1	82	IPI60R099CPA	SP000315454	IPI60R099CPAAXSA1	87
IPG20N06S2L-65A	SP001023844	IPG20N06S2L65AATMA1	82	IPI60R125CP	SP000297355	IPI60R125CPXKSA1	108
IPG20N06S4-15	SP000705490	IPG20N06S415ATMA1	84	IPI60R165CP	SP000680744	IPI60R165CPXKSA1	108
IPG20N06S4-15	SP001028634	IPG20N06S415ATMA2	84	IPI60R190C6	SP000660618	IPI60R190C6XKSA1	107
IPG20N06S4L-11	SP000705550	IPG20N06S4L11ATMA1	84	IPI60R199CP	SP000103248	IPI60R199CPXKSA1	108
IPG20N06S4L-14	SP000705540	IPG20N06S4L14ATMA1	84	IPI60R250CP	SP000358141	IPI60R250CPAKSA1	108
IPG20N06S4L-14	SP001028632	IPG20N06S4L14ATMA2	84	IPI60R280C6	SP000687554	IPI60R280C6XKSA1	107
IPG20N06S4L-14A	SP001023846	IPG20N06S4L14AATMA1	84	IPI60R299CP	SP000103249	IPI60R299CPXKSA1	108
IPG20N06S4L-26	SP000705588	IPG20N06S4L26ATMA1	84	IPI60R380C6	SP000660630	IPI60R380C6XKSA1	107
IPG20N06S4L-26A	SP001023848	IPG20N06S4L26AATMA1	84	IPI60R385CP	SP000103250	IPI60R385CPXKSA1	108
IPG20N10S4L-22	SP000866570	IPG20N10S4L22ATMA1	86	IPI60R520CP	SP000405872	IPI60R520CPAKSA1	108
IPG20N10S4L-35	SP000859022	IPG20N10S4L35ATMA1	86	IPI60R600CP	SP000405896	IPI60R600CPAKSA1	108
IPI030N10N3 G	SP000680648	IPI030N10N3GXKSA1	99	IPI65R110CFD	SP000895222	IPI65R110CFDXKSA1	111
IPI020N06N	SP000962132	IPI020N06NAKSA1	96	IPI65R110CFD	SP000896398	IPI65R110CFDXKSA1	113
IPI023NE7N3 G	SP000641732	IPI023NE7N3GAKSA1	97	IPI65R150CFD	SP000907028	IPI65R150CFDXKSA1	113
IPI024N06N3 G	SP000680644	IPI024N06N3GXKSA1	96	IPI65R190C6	SP000863900	IPI65R190C6XKSA1	111
IPI029N06N	SP000962134	IPI029N06NAKSA1	96	IPI65R190CFD	SP000905386	IPI65R190CFDXKSA1	113
IPI032N06N3 G	SP000680650	IPI032N06N3GAKSA1	96	IPI65R280C6	SP000785056	IPI65R280C6XKSA1	111
IPI034NE7N3 G	SP000641734	IPI034NE7N3GAKSA1	97	IPI65R280E6	SP000795270	IPI65R280E6XKSA1	114
IPI037N08N3 G	SP000680654	IPI037N08N3GXKSA1	97	IPI65R310CFD	SP000891700	IPI65R310CFDXKSA1	113
IPI040N06N3 G	SP000680656	IPI040N06N3GXKSA1	96	IPI65R380C6	SP000785080	IPI65R380C6XKSA1	111
IPI041N12N3 G	SP000652748	IPI041N12N3GAKSA1	100	IPI65R420CFD	SP000891702	IPI65R420CFDXKSA1	113
IPI045CN10N3 G	SP000683068	IPI045N10N3GXKSA1	99	IPI65R600C6	SP000850504	IPI65R600C6XKSA1	111
IPI052NE7N3 G	SP000657442	IPI052NE7N3GAKSA1	97	IPI65R660CFD	SP000861696	IPI65R660CFDXKSA1	113
IPI072CN10N3 G	SP000680674	IPI072N10N3GXKSA1	99	IPI70N04S3-03	SP000279551	IPI70N04S307AKSA1	81
IPI075N15N3 G	SP000680676	IPI075N15N3GXKSA1	100	IPI70N04S4-06	SP000711484	IPI70N04S406AKSA1	81
IPI076N12N3 G	SP000652738	IPI076N12N3GAKSA1	100	IPI70N10S3-05	SP000407124	IPI70N10S312AKSA1	86
IPI084N06L3 G	SP001065242	IPI084N06L3GXKSA1	96	IPI70N10S3L-12	SP000427250	IPI70N10S3L12AKSA1	86
IPI086CN10N3 G	SP000683070	IPI086N10N3GXKSA1	99	IPI70N10SL-16	SP000225705	IPI70N10SL16AKSA1	86
IPI100N04S3-03	SP000465798	IPI100N04S303MATMA2	81	IPI70P04P4-09	SP000735974	IPI70P04P409AKSA1	88
IPI100N04S3-03	SP000261223	IPI100N04S303AKSA1	81	IPI80N03S4L-03	SP000273285	IPI80N03S4L03AKSA1	79
IPI100N04S4-03M	SP000850484	IPI100N04S403DXKSA1	81	IPI80N03S4L-04	SP000274983	IPI80N03S4L04AKSA1	79
IPI100N04S4-H2	SP000711282	IPI100N04S4H2AKSA1	81	IPI80N04S2-04	SP000219058	IPI80N04S204AKSA1	81
IPI100N08S2-07	SP000219041	IPI100N08S207AKSA1	85	IPI80N04S2-H4	SP000218171	IPI80N04S2H4AKSA1	81
IPI100N10S3-05	SP000407128	IPI100N10S305AKSA1	86	IPI80N04S3-03	SP000261238	IPI80N04S303AKSA1	81
IPI110N20N3 G	SP000714304	IPI110N20N3GAKSA1	101	IPI80N04S3-04	SP000261226	IPI80N04S304AKSA1	81
IPI111N15N3 G	SP000680232	IPI111N15N3GAKSA1	100	IPI80N04S3-06	SP000261237	IPI80N04S306AKSA1	81
IPI120N04S3-02	SP000261225	IPI120N04S302AKSA1	81	IPI80N04S3-H4	SP000415630	IPI80N04S3H4AKSA1	81
IPI120N04S4-01	SP000705722	IPI120N04S401AKSA1	81	IPI80N04S4-03	SP000671634	IPI80N04S403AKSA1	81
IPI120N04S4-02	SP000764742	IPI120N04S402AKSA1	81	IPI80N04S4-04	SP000646190	IPI80N04S404AKSA1	81
IPI120N06S4-02	SP000415622	IPI120N06S402AKSA1	84	IPI80N04S4L-04	SP000646192	IPI80N04S4L04AKSA1	81
IPI120N06S4-02	SP001028778	IPI120N06S402AKSA2	84	IPI80N06S2-07	SP000218817	IPI80N06S207AKSA1	82
IPI120N06S4-03	SP000396308	IPI120N06S403AKSA1	84	IPI80N06S2-08	SP000218828	IPI80N06S208AKSA1	82
IPI120N06S4-03	SP001028772	IPI120N06S403AKSA2	84	IPI80N06S2L-05	SP000219002	IPI80N06S2L05AKSA1	82
IPI120N06S4-H1	SP000415620	IPI120N06S4H1AKSA1	84	IPI80N06S2L-11	SP000218176	IPI80N06S2L11AKSA1	82
IPI120N06S4-H1	SP001028784	IPI120N06S4H1AKSA2	84	IPI80N06S4-05	SP000415632	IPI80N06S405AKSA1	84
IPI120P04P4-04	SP000842274	IPI120P04P404AKSA1	88	IPI80N06S4-05	SP001028724	IPI80N06S405AKSA2	84
IPI120P04P4L-03	SP000842296	IPI120P04P4L03AKSA1	88	IPI80N06S4-07	SP000415690	IPI80N06S407AKSA1	84
IPI126N10N3 G	SP000683072	IPI126N10N3GXKSA1	99	IPI80N06S4-07	SP001028676	IPI80N06S407AKSA2	84
IPI147N12N3 G	SP000652744	IPI147N12N3GAKSA1	100	IPI80N06S4L-05	SP000415692	IPI80N06S4L05AKSA1	84



Summary of Types

Type	Ordering Code	Orderable Part Number	Page	Type	Ordering Code	Orderable Part Number	Page
IPI80N06S4L-07	SP000415694	IPI80N06S4L07AKSA1	84	IPP093N06N3 G	SP000680852	IPP093N06N3GXKSA1	96
IPI80N06S4L-07	SP001028678	IPI80N06S4L07AKSA2	84	IPP096N03L G	SP000254737	IPP096N03LGHKSA1	91
IPI80N08S2-07	SP000219043	IPI80N08S207AKSA1	85	IPP100N04S2-04	SP000219056	IPP100N04S204AKSA1	82
IPI80P03P4-04	SP000396318	IPI80P03P4L04AKSA1	89	IPP100N04S2L-03	SP000219062	IPP100N04S2L03AKSA1	81
IPI80P03P4-05	SP000396316	IPI80P03P405AKSA1	89	IPP100N04S3-03	SP000850486	IPP100N04S403DXKSA1	81
IPI80P03P4-07	SP000396320	IPI80P03P4L07AKSA1	89	IPP100N04S3-03	SP000261227	IPP100N04S303AKSA1	81
IPI80P04P4-05	SP000652620	IPI80P04P405AKSA1	88	IPP100N04S4-H2	SP000711278	IPP100N04S4H2AKSA1	81
IPI80P04P4-07	SP000842042	IPI80P04P407AKSA1	88	IPP100N06S2-05	SP000218872	IPP100N06S205AKSA1	82
IPI80P04P4L-04	SP000840198	IPI80P04P4L04AKSA1	88	IPP100N06S2L-05	SP000218879	IPP100N06S2L05AKSA1	82
IPI80P04P4L-06	SP000842050	IPI80P04P4L06AKSA1	88	IPP100N08N3 G	SP000680856	IPP100N08N3GXKSA1	97
IPI80P04P4L-08	SP000840210	IPI80P04P4L08AKSA1	88	IPP100N08S2-07	SP000219005	IPP100N08S207AKSA1	85
IPI90N04S4-04	SP000646194	IPI90N04S402AKSA1	81	IPP100N08S2L-07	SP000219052	IPP100N08S2L07AKSA1	85
IPI90N06S4-04	SP000379633	IPI90N06S404AKSA1	84	IPP100N10S3-05	SP000407126	IPP100N10S305AKSA1	86
IPI90N06S4-04	SP001028758	IPI90N06S404AKSA2	84	IPP110N20N3 G	SP000677892	IPP110N20N3GXKSA1	101
IPI90N06S4L-04	SP000415696	IPI90N06S4L04AKSA1	84	IPP110N20NA	SP000877672	IPP110N20NAAKSA1	101
IPI90N06S4L-04	SP001028760	IPI90N06S4L04AKSA2	84	IPP111N15N3 G	SP000677860	IPP111N15N3GXKSA1	100
IPI90R1K0C3	SP000683078	IPI90R1K0C3XKSA1	115	IPP114N03L G	SP000264168	IPP114N03LGHKSA1	92
IPI90R1K2C3	SP000683080	IPI90R1K2C3XKSA1	115	IPP114N12N3 G	SP000652740	IPP114N12N3GXKSA1	100
IPI90R340C3	SP000683082	IPI90R340C3XKSA1	115	IPP120N04S3-02	SP000261228	IPP120N04S302AKSA1	81
IPI90R500C3	SP000683084	IPI90R500C3XKSA1	115	IPP120N04S4-01	SP000705704	IPP120N04S401AKSA1	81
IPI90R800C3	SP000683086	IPI90R800C3XKSA1	115	IPP120N04S4-02	SP000764734	IPP120N04S402AKSA1	81
IPL60R199CP	SP000841892	IPL60R199CPAUMA1	108	IPP120N06S4-02	SP000415700	IPP120N06S402AKSA1	85
IPL60R299CP	SP000841896	IPL60R299CPAUMA1	108	IPP120N06S4-02	SP001028774	IPP120N06S402AKSA2	85
IPL60R385CP	SP000841898	IPL60R385CPAUMA1	108	IPP120N06S4-03	SP000396380	IPP120N06S403AKSA1	85
IPL65R130C7	SP001032724	IPL65R130C7AUMA1	112	IPP120N06S4-03	SP001028768	IPP120N06S403AKSA2	85
IPL65R230C7	SP001032728	IPL65R230C7AUMA1	112	IPP120N06S4-H1	SP000415698	IPP120N06S4H1AKSA1	85
IPL65R340CFD	SP000949258	IPL65R340CFDAUMA1	113	IPP120N06S4-H1	SP001028780	IPP120N06S4H1AKSA2	85
IPL65R460CFD	SP000949260	IPL65R460CFDAUMA1	113	IPP120P04P4-04	SP000842278	IPP120P04P404AKSA1	88
IPL65R725CFD	SP000949266	IPL65R725CFDAUMA1	113	IPP120P04P4L-03	SP000842300	IPP120P04P4L03AKSA1	88
IPN10EL-S	SP000862494	IPN10ELSXUMA1	141	IPP126N10N3 G	SP000683088	IPP126N10N3GXKSA1	99
IPP015N04N G	SP000680760	IPP015N04NGXKSA1	94	IPP12CN10L G	SP000680864	IPP12CN10LGHKSA1	99
IPP020N06N	SP000917406	IPP020N06NAKSA1	96	IPP139N08N3 G	SP000680870	IPP139N08N3GXKSA1	97
IPP023N04N G	SP000680762	IPP023N04NGXKSA1	94	IPP147N03L G	SP000266315	IPP147N03LGHKSA1	92
IPP023NE7N3 G	SP000641722	IPP023NE7N3GXKSA1	97	IPP147N12N3 G	SP000652742	IPP147N12N3GXKSA1	100
IPP024N06N3 G	SP000680764	IPP024N06N3GXKSA1	96	IPP17N25S3-100	SP001025116	IPP17N25S3100AKSA1	86
IPP028N08N3 G	SP000680766	IPP028N08N3GXKSA1	97	IPP180N10N3 G	SP000683090	IPP180N10N3GXKSA1	99
IPP029N06N	SP000917404	IPP029N06NAKSA1	96	IPP200N15N3 G	SP000680884	IPP200N15N3GXKSA1	100
IPP030N10N3 G	SP000680768	IPP030N10N3GXKSA1	96	IPP200N25N3 G	SP000677894	IPP200N25N3GXKSA1	101
IPP032N06N3 G	SP000680770	IPP032N06N3GXKSA1	96	IPP22N03S4L-15	SP000275290	IPP22N03S4L15AKSA1	79
IPP034N03L G	SP000680772	IPP034N03LGHKSA1	92	IPP320N20N3 G	SP000677842	IPP320N20N3GXKSA1	101
IPP034NE7N3 G	SP000843890	IPP034NE7N3GHKSA1	97	IPP45N06S4-09	SP000374339	IPP45N06S409AKSA1	85
IPP034NE7N3 G	SP000641724	IPP034NE7N3GXKSA1	97	IPP45N06S4-09	SP001028648	IPP45N06S409AKSA2	85
IPP037N06L3 G	SP000680774	IPP037N06L3GXKSA1	96	IPP45N06S4L-08	SP000374340	IPP45N06S4L08AKSA1	85
IPP037N08N3 G	SP000680776	IPP037N08N3GXKSA1	97	IPP45N06S4L-08	SP001028650	IPP45N06S4L08AKSA2	85
IPP039N04L G	SP000680782	IPP039N04LGHKSA1	94	IPP45P03P4L-11	SP000396382	IPP45P03P4L11AKSA1	89
IPP040N06N	SP000959820	IPP040N06NAKSA1	96	IPP47N10S-33	SP000225706	IPP47N10S33AKSA1	86
IPP040N06N3 G	SP000680788	IPP040N06N3GXKSA1	96	IPP47N10SL-26	SP000225707	IPP47N10SL26AKSA1	86
IPP041N04N G	SP000680790	IPP041N04NGXKSA1	94	IPP50N10S3L-16	SP000407118	IPP50N10S3L16AKSA1	86
IPP041N12N3 G	SP000652746	IPP041N12N3GXKSA1	100	IPP50R140CP	SP000234986	IPP50R140CPHKSA1	104
IPP042N03L G	SP000680792	IPP042N03LGHKSA1	92	IPP50R140CP	SP000680932	IPP50R140CPXKSA1	104
IPP045N10N3 G	SP000680794	IPP045N10N3GXKSA1	99	IPP50R190CE	SP000850802	IPP50R190CEXKSA1	103
IPP048N04N G	SP000648308	IPP048N04NGXKSA1	94	IPP50R199CP	SP000236074	IPP50R199CPHKSA1	104
IPP048N12N3 G	SP000652734	IPP048N12N3GXKSA1	100	IPP50R199CP	SP000680934	IPP50R199CPXKSA1	104
IPP04CN10N G	SP000680796	IPP04CN10NGXKSA1	99	IPP50R250CP	SP000236071	IPP50R250CPHKSA1	104
IPP052N06L3 G	SP000680802	IPP052N06L3GXKSA1	96	IPP50R250CP	SP000680936	IPP50R250CPXKSA1	104
IPP052NE7N3 G	SP000846650	IPP052NE7N3GHKSA1	97	IPP50R280CE	SP000850810	IPP50R280CEXKSA1	103
IPP052NE7N3 G	SP000641726	IPP052NE7N3GXKSA1	97	IPP50R299CP	SP000236070	IPP50R299CPHKSA1	104
IPP055N03L G	SP000680806	IPP055N03LGHKSA1	92	IPP50R299CP	SP000680938	IPP50R299CPXKSA1	104
IPP057N06N3 G	SP000680808	IPP057N06N3GXKSA1	96	IPP50R350CP	SP000236069	IPP50R350CPHKSA1	104
IPP057N08N3 G	SP000680810	IPP057N08N3GXKSA1	97	IPP50R350CP	SP000680940	IPP50R350CPXKSA1	104
IPP05CN10N G	SP000680814	IPP05CN10NGXKSA1	99	IPP50R380CE	SP000850818	IPP50R380CEXKSA1	103
IPP060N06N	SP000917402	IPP060N06NAKSA1	96	IPP50R399CP	SP000234985	IPP50R399CPHKSA1	104
IPP062NE7N3 G	SP000846652	IPP062NE7N3GHKSA1	97	IPP50R399CP	SP000680942	IPP50R399CPXKSA1	104
IPP062NE7N3 G	SP000819768	IPP062NE7N3GXKSA1	97	IPP50R500CE	SP000939326	IPP50R500CEXKSA1	103
IPP065N03L G	SP000680818	IPP065N03LGHKSA1	92	IPP50R520CP	SP000236068	IPP50R520CPHKSA1	104
IPP065N04N G	SP000648268	IPP065N04NGXKSA1	94	IPP50R520CP	SP000680944	IPP50R520CPXKSA1	104
IPP070N08N3 G	SP000680828	IPP070N08N3GXKSA1	97	IPP530N15N3 G	SP000521722	IPP530N15N3GXKSA1	100
IPP072N10N3 G	SP000680830	IPP072N10N3GXKSA1	99	IPP600N25N3 G	SP000677832	IPP600N25N3GXKSA1	101
IPP075N15N3 G	SP000680832	IPP075N15N3GXKSA1	100	IPP60R074C6	SP000898652	IPP60R074C6XKSA1	107
IPP076N12N3 G	SP000652736	IPP076N12N3GXKSA1	100	IPP60R099C6	SP000687556	IPP60R099C6XKSA1	107
IPP080N03L G	SP000264166	IPP080N03LGHKSA1	92	IPP60R099CP	SP000057021	IPP60R099CPXKSA1	108
IPP084N06L3 G	SP000680838	IPP084N06L3GXKSA1	96	IPP60R099CPA	SP000315418	IPP60R099CPAAXKSA1	87
IPP086N10N3 G	SP000680840	IPP086N10N3GXKSA1	99	IPP60R125C6	SP000685844	IPP60R125C6XKSA1	107

Summary of Types

Type	Ordering Code	Orderable Part Number	Page	Type	Ordering Code	Orderable Part Number	Page
IPP60R125CP	SP000088488	IPP60R125CPXKSA1	108	IPP80N04S4-03	SP000671756	IPP80N04S403AKSA1	81
IPP60R160C6	SP000652796	IPP60R160C6XKSA1	107	IPP80N04S4-04	SP000646198	IPP80N04S404AKSA1	81
IPP60R160P6	SP001017068	IPP60R160P6XKSA1	110	IPP80N04S4L-04	SP000646198	IPP80N04S4L04AKSA1	81
IPP60R165CP	SP000084279	IPP60R165CPXKSA1	108	IPP80N06S2-05	SP000218873	IPP80N06S205AKSA1	82
IPP60R190C6	SP000621158	IPP60R190C6XKSA1	107	IPP80N06S2-07	SP000218810	IPP80N06S207AKSA1	82
IPP60R190E6	SP000797378	IPP60R190E6XKSA1	110	IPP80N06S2-08	SP000218826	IPP80N06S208AKSA1	82
IPP60R190P6	SP001017066	IPP60R190P6XKSA1	110	IPP80N06S2-09	SP000218740	IPP80N06S209AKSA1	82
IPP60R199CP	SP000084278	IPP60R199CPXKSA1	108	IPP80N06S2-H5	SP000218155	IPP80N06S2H5AKSA1	82
IPP60R1K4C6	SP000931536	IPP60R1K4C6XKSA1	107	IPP80N06S2L-05	SP000219000	IPP80N06S2L05AKSA1	82
IPP60R230P6	SP001017064	IPP60R230P6XKSA1	110	IPP80N06S2L-06	SP000218824	IPP80N06S2L06AKSA1	82
IPP60R250CP	SP000358136	IPP60R250CPXKSA1	108	IPP80N06S2L-07	SP000218831	IPP80N06S2L07AKSA1	82
IPP60R280C6	SP000645028	IPP60R280C6XKSA1	107	IPP80N06S2L-09	SP000218742	IPP80N06S2L09AKSA1	82
IPP60R280E6	SP000797290	IPP60R280E6XKSA1	110	IPP80N06S2L-11	SP000218175	IPP80N06S2L11AKSA1	83
IPP60R280P6	SP001017062	IPP60R280P6XKSA1	110	IPP80N06S2L-H5	SP000219067	IPP80N06S2LH5AKSA1	82
IPP60R299CP	SP000084280	IPP60R299CPXKSA1	109	IPP80N06S4-05	SP000415704	IPP80N06S405AKSA1	85
IPP60R330P6	SP001017060	IPP60R330P6XKSA1	110	IPP80N06S4-05	SP001028712	IPP80N06S405AKSA2	85
IPP60R380C6	SP000645062	IPP60R380C6XKSA1	107	IPP80N06S4-07	SP000415706	IPP80N06S407AKSA1	85
IPP60R380E6	SP000795310	IPP60R380E6XKSA1	110	IPP80N06S4-07	SP001028666	IPP80N06S407AKSA2	85
IPP60R380P6	SP001017058	IPP60R380P6XKSA1	110	IPP80N06S4L-05	SP000415708	IPP80N06S4L05AKSA1	85
IPP60R385CP	SP000082281	IPP60R385CPXKSA1	109	IPP80N06S4L-05	SP001028716	IPP80N06S4L05AKSA2	85
IPP60R450E6	SP000842486	IPP60R450E6XKSA1	110	IPP80N06S4L-07	SP000415710	IPP80N06S4L07AKSA1	85
IPP60R520C6	SP000645068	IPP60R520C6XKSA1	107	IPP80N06S4L-07	SP001028668	IPP80N06S4L07AKSA2	85
IPP60R520CP	SP000405860	IPP60R520CPXKSA1	109	IPP80N08S2-07	SP000219040	IPP80N08S207AKSA1	85
IPP60R520E6	SP000797294	IPP60R520E6XKSA1	110	IPP80N08S2L-07	SP000219050	IPP80N08S2L07AKSA1	85
IPP60R600C6	SP000645074	IPP60R600C6XKSA1	107	IPP80P03P4-04	SP000396390	IPP80P03P4L04AKSA1	89
IPP60R600CP	SP000405888	IPP60R600CPXKSA1	109	IPP80P03P4-05	SP000396388	IPP80P03P405AKSA1	89
IPP60R600E6	SP000797630	IPP60R600E6XKSA1	110	IPP80P03P4-07	SP000396392	IPP80P03P4L07AKSA1	89
IPP60R600P6	SP001017054	IPP60R600P6XKSA1	110	IPP80P04P4-05	SP000652622	IPP80P04P405AKSA1	88
IPP60R750E6	SP000842482	IPP60R750E6XKSA1	110	IPP80P04P4-07	SP000842044	IPP80P04P407AKSA1	88
IPP60R950C6	SP000629364	IPP60R950C6XKSA1	107	IPP80P04P4L-04	SP000840200	IPP80P04P4L04AKSA1	88
IPP65R045C7	SP000929422	IPP65R045C7XKSA1	112	IPP80P04P4L-06	SP000842052	IPP80P04P4L06AKSA1	88
IPP65R065C7	SP001080100	IPP65R065C7XKSA1	112	IPP80P04P4L-08	SP000840212	IPP80P04P4L08AKSA1	88
IPP65R074C6	SP000898650	IPP65R074C6XKSA1	111	IPP90N04S4-02	SP000646200	IPP90N04S402AKSA1	81
IPP65R095C7	SP001080122	IPP65R095C7XKSA1	112	IPP90N06S4-04	SP000379634	IPP90N06S404AKSA1	85
IPP65R099C6	SP000895218	IPP65R099C6XKSA1	111	IPP90N06S4-04	SP001028750	IPP90N06S404AKSA2	85
IPP65R110CFD	SP000895226	IPP65R110CFDXKSA1	113	IPP90N06S4L-04	SP000415712	IPP90N06S4L04AKSA1	85
IPP65R110CFDA	SP000895234	IPP65R110CFDAAKSA1	87	IPP90N06S4L-04	SP001028752	IPP90N06S4L04AKSA2	85
IPP65R125C7	SP001080132	IPP65R125C7XKSA1	112	IPP90R1K0C3	SP000683094	IPP90R1K0C3XKSA1	115
IPP65R150CFD	SP000907024	IPP65R150CFDXKSA1	113	IPP90R2K2C3	SP000683096	IPP90R1K2C3XKSA1	115
IPP65R150CFDA	SP000928272	IPP65R150CFDAAKSA1	87	IPP90R340C3	SP000683098	IPP90R340C3XKSA1	115
IPP65R190C6	SP000849360	IPP65R190C6XKSA1	112	IPP90R500C3	SP000683100	IPP90R500C3XKSA1	115
IPP65R190C7	SP000929426	IPP65R190C7FKSA1	112	IPP90R800C3	SP000683102	IPP90R800C3XKSA1	115
IPP65R190CFD	SP000881160	IPP65R190CFDXKSA1	113	IPS031N03L G	SP000788214	IPS031N03LGAKMA1	92
IPP65R190CFDA	SP000928266	IPP65R190CFDAAKSA1	87	IPS040N03L G	SP000810846	IPS040N03LGAKMA1	92
IPP65R190E6	SP000849876	IPP65R190E6XKSA1	114	IPS050N03L G	SP000810848	IPS050N03LGAKMA1	92
IPP65R225C7	SP000929432	IPP65R225C7XKSA1	112	IPS060N03L G	SP000705724	IPS060N03LGAKMA1	92
IPP65R280C6	SP000785058	IPP65R280C6XKSA1	112	IPS075N03L G	SP000705726	IPS075N03LGAKMA1	92
IPP65R280E6	SP000795268	IPP65R280E6XKSA1	114	IPS090N03L G	SP000788216	IPS090N03LGAKMA1	92
IPP65R310CFD	SP000745028	IPP65R310CFDXKSA1	113	IPS105N03L G	SP000788218	IPS105N03LGAKMA1	92
IPP65R310CFDA	SP000879438	IPP65R310CFDAAKSA1	87	IPS110N12N3 G	SP000674456	IPS110N12N3GBKMA1	100
IPP65R380C6	SP000785082	IPP65R380C6XKSA1	112	IPS135N03L G	SP000788220	IPS135N03LGAKMA1	92
IPP65R380E6	SP000795280	IPP65R380E6XKSA1	114	IPS50R520CP	SP000307420	IPS50R520CPBKMA1	104
IPP65R420CFD	SP000876824	IPP65R420CFDXKSA1	113	IPS65R1K4C6	SP000991120	IPS65R1K4C6AKMA1	112
IPP65R600C6	SP000661310	IPP65R600C6XKSA1	112	IPS65R950C6	SP000991122	IPS65R950C6AKMA1	112
IPP65R600E6	SP000805000	IPP65R600E6XKSA1	114	IPT007N06N	SP001100158	IPT007N06NATMA1	99
IPP65R660CFD	SP000745026	IPP65R660CFDXKSA1	113	IPT020N10N3	SP001100160	IPT020N10N3ATMA1	99
IPP65R660CFDA	SP000875802	IPP65R660CFDAAKSA1	87	IPT059N15N3 G	SP001100162	IPT059N15N3ATMA1	100
IPP70N04S3-07	SP000279559	IPP70N04S307AKSA1	81	IPU50R1K4CE	SP001022958	IPU50R1K4CEBKMA1	103
IPP70N04S4-06	SP000711480	IPP70N04S406AKSA1	81	IPU50R2K0CE	SP001053984	IPU50R2K0CEBKMA1	103
IPP70N10S3-12	SP000407122	IPP70N10S312AKSA1	86	IPU50R3K0CE	SP001022960	IPU50R3K0CEBKMA1	103
IPP70N10S3L-12	SP000427252	IPP70N10S3L12AKSA1	86	IPU50R950CE	SP001022956	IPU50R950CEBKMA1	103
IPP70N10SL-16	SP000225708	IPP70N10SL16AKSA1	86	IPU60R1K4C6	SP000931530	IPU60R1K4C6BKMA1	107
IPP70P04P4-09	SP000735978	IPP70P04P409AKSA1	88	IPU60R2K0C6	SP000931528	IPU60R2K0C6BKMA1	107
IPP77N06S2-12	SP000218172	IPP77N06S212AKSA1	83	IPU60R600C6	SP000931534	IPU60R600C6BKMA1	107
IPP80N03S4L-03	SP000275328	IPP80N03S4L03AKSA1	79	IPU60R950C6	SP000931532	IPU60R950C6BKMA1	107
IPP80N03S4L-04	SP000274981	IPP80N03S4L04AKSA1	79	IPU80R1K0CE	SP001100624	IPU80R1K0CEBKMA1	115
IPP80N04S2-04	SP000219054	IPP80N04S204AKSA1	81	IPU80R1K4CE	SP001100620	IPU80R1K4CEBKMA1	115
IPP80N04S2-H4	SP000218169	IPP80N04S2H4AKSA1	81	IPU80R2K8CE	SP001100622	IPU80R2K8CEBKMA1	115
IPP80N04S2L-03	SP000219063	IPP80N04S2L03AKSA1	81	IPW50R140CP	SP000234989	IPW50R140CPFKSA1	104
IPP80N04S3-03	SP000261229	IPP80N04S303AKSA1	81	IPW50R190CE	SP000850798	IPW50R190CEFKSA1	103
IPP80N04S3-04	SP000261230	IPP80N04S304AKSA1	81	IPW50R199CP	SP000236096	IPW50R199CPFKSA1	104
IPP80N04S3-06	SP000261233	IPP80N04S306AKSA1	81	IPW50R250CP	SP000301162	IPW50R250CPFKSA1	104
IPP80N04S3-H4	SP000415702	IPP80N04S3H4AKSA1	81	IPW50R280CE	SP000850804	IPW50R280CEFKSA1	103



Summary of Types

Type	Ordering Code	Orderable Part Number	Page	Type	Ordering Code	Orderable Part Number	Page
IPW50R299CP	SP000301163	IPW50R299CPFKA1	104	ISP752R	SP000219825	ISP752RFUMA1	134
IPW50R350CP	SP000301164	IPW50R350CPFKA1	104	ISP752T	SP000211730	ISP752TFUMA1	134
IPW50R399CP	SP000259980	IPW50R399CPFKA1	104	ISP762T	SP000221228	ISP762TFUMA1	134
IPW60R041C6	SP000718886	IPW60R041C6FKA1	107	ISP772T	SP000219824	ISP772TFUMA1	134
IPW60R045CP	SP000067149	IPW60R045CPFKA1	109	ITS4060S-SJ-N	SP001007686	ITS4060SSJNXUMA1	134
IPW60R045CPA	SP000539772	IPW60R045CPAFKA1	87	ITS4100S-SJ-N	SP001007688	ITS4100SSJNXUMA1	134
IPW60R070C6	SP000645060	IPW60R070C6FKA1	107	ITS4140N	SP000240073	ITS4140NHUMA1	134
IPW60R075CP	SP000358192	IPW60R075CPFKA1	109	ITS4141D	SP000221235	ITS4141DBUMA1	134
IPW60R099C6	SP000641908	IPW60R099C6FKA1	107	ITS4141N	SP000219536	ITS4141NHUMA1	134
IPW60R099CP	SP000067147	IPW60R099CPFKA1	109	ITS4142N	SP000221218	ITS4142NHUMA1	134
IPW60R099CPA	SP000597860	IPW60R099CPAFKA1	87	ITS41K0S-ME-N	SP001006700	ITS41K0SMENHUMA1	134
IPW60R125C6	SP000641912	IPW60R125C6FKA1	107	ITS42008-SB-D	SP001007690	ITS42008SBDAUMA1	138
IPW60R125CP	SP000088489	IPW60R125CPFKA1	109	ITS4200S-ME-N	SP001007692	ITS4200SMENHUMA1	134
IPW60R160C6	SP000652798	IPW60R160C6FKA1	107	ITS4200S-ME-O	SP001007694	ITS4200SMEOHUMA1	134
IPW60R160P6	SP001017092	IPW60R160P6FKA1	110	ITS4200S-ME-P	SP001007696	ITS4200SMEPHUMA1	134
IPW60R165CP	SP000095483	IPW60R165CPFKA1	110	ITS4200S-SJ-D	SP001007698	ITS4200SSJDXUMA1	134
IPW60R190C6	SP000621160	IPW60R190C6FKA1	107	ITS428L2	SP000525146	ITS428L2ATMA1	135
IPW60R190E6	SP000797384	IPW60R190E6FKA1	110	ITS4300S-SJ-D	SP001006698	ITS4300SSJDXUMA1	134
IPW60R190P6	SP001017090	IPW60R190P6FKA1	110	ITS4880R	SP000219527	ITS4880RCUMA1	138
IPW60R199CP	SP000089802	IPW60R199CPFKA1	109	ITS5215L	SP000219826	ITS5215LCUMA1	137
IPW60R230P6	SP001017088	IPW60R230P6FKA1	110	ITS711L1	SP000219532	ITS711L1FUMA1	138
IPW60R250CP	SP000310511	IPW60R250CPFKA1	109	ITS716G	SP000219534	ITS716GFUMA1	138
IPW60R280C6	SP000645032	IPW60R280C6FKA1	107	ITS724G	SP000219835	ITS724GFUMA1	138
IPW60R280E6	SP000797382	IPW60R280E6FKA1	110				
IPW60R280P6	SP001017086	IPW60R280P6FKA1	110				
IPW60R299CP	SP000103251	IPW60R299CPFKA1	109	K			
IPW60R330P6	SP001017084	IPW60R330P6FKA1	110	KP214N2611	SP000763326	KP214N2611XTMA1	211
IPW65R019C7	SP000928646	IPW65R019C7FKA1	112	KP215F1701	SP000698278	KP215F1701XTMA1	211
IPW65R037C6	SP000756284	IPW65R037C6FKA1	112	KP216H1416	SP000698282	KP216H1416XTMA1	211
IPW65R041CFD	SP000756288	IPW65R041CFDFKA1	113	KP216K1409	SP000698288	KP216K1409XTMA1	211
IPW65R045C7	SP000929412	IPW65R045C7FKA1	112	KP219N3621	SP000824058	KP219N3621XTMA1	211
IPW65R048CFDA	SP000895318	IPW65R048CFDAFKA1	87	KP229E2701	SP000699514	KP229E2701XTMA1	211
IPW65R065C7	SP001080116	IPW65R065C7XKSA1	112	KP229E3518	SP000808692	KP229E3518XTMA1	211
IPW65R070C6	SP000745034	IPW65R070C6FKA1	112	KP229L2920	SP000788810	KP229L2920XTMA1	211
IPW65R080CFD	SP000745036	IPW65R080CFDFKA1	113	KP234	SP000700772	KP234XTMA1	211
IPW65R080CFDA	SP000875806	IPW65R080CFDAFKA1	87	KP235	SP000700776	KP235XTMA1	211
IPW65R095C7	SP001080128	IPW65R095C7XKSA1	112	KP236	SP000700780	KP236XTMA1	211
IPW65R099C6	SP000896396	IPW65R099C6FKA1	112	KP236N6165	SP000700784	KP236N6165XTMA1	211
IPW65R110CFD	SP000895232	IPW65R110CFDFKA1	113	KP253	SP000843708	KP253XTMA1	211
IPW65R110CFDA	SP000895236	IPW65R110CFDAFKA1	87	KP254	SP000773948	KP254XTMA1	211
IPW65R125C7	SP001080138	IPW65R125C7XKSA1	112	KP256	SP000773952	KP256XTMA1	211
IPW65R150CFD	SP000907038	IPW65R150CFDFKA1	113				
IPW65R150CFDA	SP000928274	IPW65R150CFDAFKA1	87	P			
IPW65R190C6	SP000863902	IPW65R190C6FKA1	112	PMA5105	SP000463432	PMA5105XUMA1	218
IPW65R190C7	SP001080142	IPW65R190C7XKSA1	112	PMA5110	SP000373573	PMA5110XUMA1	218
IPW65R190CFD	SP000905376	IPW65R190CFDFKA1	113	PMA7105	SP000450408	PMA7105XUMA1	218
IPW65R190CFDA	SP000928268	IPW65R190CFDAFKA1	87	PMA7106	SP000450410	PMA7106XUMA1	218
IPW65R190E6	SP000863906	IPW65R190E6FKA1	114	PMA7107	SP000450412	PMA7107XUMA1	218
IPW65R280C6	SP000785060	IPW65R280C6FKA1	112	PMA7110	SP000430596	PMA7110XUMA1	218
IPW65R280E6	SP000795272	IPW65R280E6FKA1	114	PX3515BDDG-R4	SP000669876	PX3515BDDGR4XTMA1	161
IPW65R310CFD	SP000890688	IPW65R310CFDFKA1	113	PX3516ADDG-R4	SP000704414	PX3516ADDGR4XTMA1	161
IPW65R310CFDA	SP000879444	IPW65R310CFDAFKA1	87	PX3517	SP000923218	PX3517FTMA1	161
IPW65R420CFD	SP000890686	IPW65R420CFDFKA1	113	PX3519	SP000985712	PX3519XTMA1	161
IPW65R660CFD	SP000861700	IPW65R660CFDFKA1	113	PZTA14	1k SP000010688	PZTA14E6327HTSA1	199
IPW90R120C3	SP000413750	IPW90R120C3FKA1	115	PZTA42	1k SP000014780	PZTA42E6327HTSA1	199
IPW90R1K0C3	SP000413752	IPW90R1K0C3FKA1	115	PZTA92	4k SP000011009	PZTA92E6433HTMA1	199
IPW90R1K2C3	SP000413754	IPW90R1K2C3FKA1	115				
IPW90R340C3	SP000411306	IPW90R340C3FKA1	115				
IPW90R500C3	SP000413756	IPW90R500C3FKA1	115	S			
IPW90R800C3	SP000413758	IPW90R800C3FKA1	115	SAA-XC866-2FRA BE-Step	SP000281789	XC8662FRA5VBEAXUMA1	13
IPZ65R019C7	SP001024002	IPZ65R019C7XKSA1	112	SAA-XC866-4FRA BE-Step	SP000281792	XC8664FRA5VBEAXUMA1	13
IPZ65R045C7	SP001024004	IPZ65R045C7XKSA1	112	SAA-XC866-4RRA AB-Step	SP000266176	XC8664RRAABAZZZA1	14
IPZ65R065C7	SP001080120	IPZ65R065C7XKSA1	112	SAA-XC886CLM-8FFA AC-Step	SP000618282	XC886CLM8FFAACAXUMA1	18
IPZ65R095C7	SP001080130	IPZ65R095C7XKSA1	112	SAA-XC886CM-8FFA AC-Step	SP000639468	XC886CM8FFAVACAXUMA1	18
ISO1H801G	SP000722122	ISO1H801GAUMA1	148	SAA-XC886LM-8FFA AC-Step	SP000368485	XC886LM8FFAVACAXUMA1	19
ISO1H811G	SP000413798	ISO1H811GAUMA1	148	SAB-C161CS-LF CA-Step	SP000106860	C161CSLFCABXQMA1	26
ISO1H812G	SP000413800	ISO1H812GAUMA1	148	SAB-C161CS-LF CA-Step	SP000106861	C161CSLFCABXQMA1	26
ISO1H815G	SP000555576	ISO1H815GAUMA1	148	SAB-C161JC-LF CA-Step	SP000106862	C161JCLFCABXQMA1	26
ISO1H816G	SP000555578	ISO1H816GAUMA1	148	SAB-C161K-LM HA-Step	SP000011585	C161KLMHABXUMA1	27
ISO1H811T	SP000876494	ISO1H811TXUMA1	148	SAB-C161K-LM HA-Step	SP000011584	C161KLMHABXQMA1	27
ISO1H813T	SP000876504	ISO1H813TXUMA1	148	SAB-C161O-L25M HA-Step	SP000014268	C161OL25MHABXUMA1	27
ISP452	SP000219823	ISP452HUMA1	134	SAB-C161O-LM HA-Step	SP000011586	C161OLMLHABXQMA1	27
ISP742RI	SP000221229	ISP742RIFUMA1	134				

Summary of Types

Type	Ordering Code	Orderable Part Number	Page	Type	Ordering Code	Orderable Part Number	Page
SAB-C161O-LM HA-Step	SP000011587	C161OLMHABXUMA1	27	SAF-C505CA-4EM CA-Step	SP000106394	C505CA4EMCAFQXMA1	22
SAB-C161O-LM3V HA-Step	SP000011588	C161OLM3VHABXUMA1	27	SAF-C505CA-4EM CA-Step	SP000106395	C505CA4EMCAFQXMA1	22
SAB-C161PI-L25F CA-Step	SP000014362	C161PIL25FCABXUMA1	28	SAF-C505CA-LM CA-Step	SP000106669	C505CALMCAFQXMA1	22
SAB-C161PI-L25M CA-Step	SP000014367	C161PIL25MCABXUMA1	28	SAF-C505CA-LM CA-Step	SP000106390	C505CALMCAFQXMA1	22
SAB-C161PI-LF CA-Step	SP000014344	C161PILFCABXUMA1	28	SAF-C515C-8EM CA-Step	SP000106398	C515C8EMCAFQXMA1	22
SAB-C161PI-LF3V CA-Step	SP000014360	C161PILF3VCABXUMA1	28	SAF-C515C-8EM CA-Step	SP000106399	C515C8EMCAFQXMA1	22
SAB-C161PI-LM CA-Step	SP000014345	C161PILMCABXUMA1	28	SAF-C515C-8EM CA-Step	SP000106400	C515C8EMCAFQXMA2	22
SAB-C161PI-LM3V CA-Step	SP000014365	C161PILM3VCABXUMA1	28	SAF-XC161CJ-16F40F BB-Step	SP000280516	XC161CJ16F40FBBFXQMA1	23
SAB-C161S-L25M AA-Step	SP000014739	C161SL25MAABXUMA1	28	SAF-XC161CJ-16F40F BB-Step	SP000224537	XC161CJ16F40FBBFXQMA1	23
SAB-C161S-LM3V AA-Step	SP000014946	C161SLM3VAAABXUMA1	28	SAF-XC161CS-32F40F BB-A-Step	SP000224542	XC161CS32F40FBBAFXUMA1	23
SAB-C164CI-LM3V CA+-Step	SP000103494	C164CILM3VCABXUMA1	29	SAF-XC164CM-16F40F BA-Step	SP000258386	XC164CM16F40FBAFXQMA1	24
SAB-C165-L25F HA-Step	SP000011591	C165L25FHABFQMA1	30	SAF-XC164CM-8F40F AA-Step	SP000203865	XC164CM8F40FAAFXQMA1	24
SAB-C165-L25F HA-Step	SP000011592	C165L25FHABXUMA1	30	SAF-XC164CM-8F40F AA-Step	SP000065635	XC164CM8F40FAAFXUMA1	23
SAB-C165-L25M HA-Step	SP000011593	C165L25MHABXQMA1	30	SAF-XC164CS-16F40F BB-Step	SP000224553	XC164CS16F40FBBFXQMA1	24
SAB-C165-L25M HA-Step	SP000011594	C165L25MHABXUMA1	30	SAF-XC164CS-16F40F BB-Step	SP000224552	XC164CS16F40FBBFXUMA1	24
SAB-C165-LF HA-Step	SP000011595	C165LFHABXQMA1	30	SAF-XC164CS-32F40F BB-A-Step	SP000224593	XC164CS32F40FBBAFXQMA1	24
SAB-C165-LF HA-Step	SP000011596	C165LFHABXUMA1	30	SAF-XC167CI-32F40F BB-A-Step	SP000224592	XC167CI32F40FBBAFXUMA1	24
SAB-C165-LF3V HA-Step	SP000011597	C165LF3VHABXUMA1	30	SAF-XC167CI-16F40F BB-Step	SP000224690	XC167CI16F40FBBFXQMA1	25
SAB-C165-LM HA-Step	SP000011598	C165LMHABXQMA1	30	SAF-XC167CI-16F40F BB-Step	SP000224689	XC167CI16F40FBBFXUMA1	25
SAB-C165-LM HA-Step	SP000011599	C165LMHABXUMA1	30	SAF-XC167CI-32F40F BB-A-Step	SP000224703	XC167CI32F40FBBAFXQMA1	25
SAB-C167CR-LM HA+-Step	SP000103462	C167CRLMHABXQMA1	31	SAF-XC167CI-32F40F BB-A-Step	SP000224702	XC167CI32F40FBBAFXUMA1	25
SAB-C167CR-LM HA+-Step	SP000103463	C167CRLMHABXUMA1	31	SAF-XC2336A-56F80L AA-Step	SP000722428	XC2336A56F80LAAFXUMA1	57
SAB-C167CS-L40M CA+-Step	SP000103471	C167CSL40MCABXQMA1	32	SAF-XC2786X-96F66L AC-Step	SP000369364	XC2786X96F66LACKXUMA1	63
SAB-C167CS-L40M CA+-Step	SP000103468	C167CSL40MCABXUMA1	32	SAF-XC822-1FRA AA-Step	SP000873390	XC8221FRAAFXUMA1	11
SAB-C167CS-LM CA+-Step	SP000103483	C167CSLMCABXQMA1	31	SAF-XC822-1FRI AA-Step	SP000795354	XC8221FRIAAFXUMA1	11
SAB-C167CS-LM CA+-Step	SP000103484	C167CSLMCABXUMA1	31	SAF-XC822M-1FRI AA-Step	SP000771768	XC822M1FRIAAFXUMA1	11
SAB-C167SR-LM HA+-Step	SP000103456	C167SRLMHABXQMA1	32	SAF-XC822MT-1FRA AA-Step	SP000873396	XC822MT1FRAAFXUMA1	11
SAB-C167SR-LM HA+-Step	SP000103457	C167SRLMHABXUMA1	32	SAF-XC822MT-1FRI AA-Step	SP000795358	XC822MT1FRIAAFXUMA1	11
SAB-C505CA-4EM CA-Step	SP000106391	C505CA4EMCAFQXMA1	22	SAF-XC822T-0FRI AA-Step	SP000795350	XC822T0FRIAAFXUMA1	11
SAB-C505CA-4EM CA-Step	SP000106392	C505CA4EMCAFQXMA1	22	SAF-XC822T-1FRI AA-Step	SP000797572	XC822T1FRIAAFXUMA1	11
SAB2402EN1	SP000963776	SAB2402EN1XUMA2	161	SAF-XC836-2FRI AB-Step	SP000843562	XC8362FRIABFXUMA1	12
SAB2403EN1	SP000962100	SAB2403EN1XUMA1	161	SAF-XC836M-1FRI AB-Step	SP000843556	XC836M1FRIABFXUMA1	12
SAE0800G	SP000697948	SAE800GXLLA1	162	SAF-XC836M-2FRI AB-Step	SP000843558	XC836M2FRIABFXUMA1	12
SAF-C161CS-LF CA-Step	SP000106865	C161CSLFCAFXQMA1	26	SAF-XC836MT-2FRI AB-Step	SP000843560	XC836MT2FRIABFXUMA1	12
SAF-C161CS-LF CA-Step	SP000106866	C161CSLFCAFXUMA1	26	SAF-XC836T-2FRI AB-Step	SP000843554	XC836T2FRIABFXUMA1	12
SAF-C161K-LM HA-Step	SP000011620	C161KLMHAFQXMA1	27	SAF-XC866-1FRI AB-Step	SP000244527	XC8661FRIABFXUMA1	13
SAF-C161K-LM3V HA-Step	SP000011621	C161KLM3VHAFQXUMA1	27	SAF-XC866-2FRI BE-Step	SP000281796	XC8662FRABEFXUMA1	13
SAF-C161O-LM HA-Step	SP000011622	C161OLMHAFQXMA1	27	SAF-XC866-2FRI BE-Step	SP000245777	XC8662FRIBEFXUMA1	13
SAF-C161O-LM HA-Step	SP000011623	C161OLMHAFQXUMA1	27	SAF-XC866-2FRI BE-Step	SP000232712	XC8662FRIABFZZA1	14
SAF-C161O-LM3V HA-Step	SP000011624	C161OLM3VHAFQXUMA1	27	SAF-XC866-4FRA BE-Step	SP000281799	XC8664FRABEFXUMA1	13
SAF-C161PI-L25F CA-Step	SP000014363	C161PIL25FCAFXUMA1	28	SAF-XC866-4FRI BE-Step	SP000245780	XC8664FRIBEFXUMA1	14
SAF-C161PI-L25M CA-Step	SP000014368	C161PIL25MCAFQXUMA1	28	SAF-XC866-4FRI BE-Step	SP000232710	XC8664FRIABFZZA1	14
SAF-C161PI-LF CA-Step	SP000014359	C161PILFCAFXUMA1	28	SAF-XC878-13FFA 5V AC-Step	SP000756808	XC87813FFA5VACFXUMA1	16
SAF-C161PI-LF3V CA-Step	SP000014361	C161PILF3VCAFXUMA1	28	SAF-XC878-16FFI 5V AC-Step	SP000696772	XC87816FFI5VACFXUMA1	16
SAF-C161PI-LM CA-Step	SP000014364	C161PILMCAFQXUMA1	28	SAF-XC878CM-16FFA 5V AC-Step	SP000772210	XC878CM16FFA5VACFXUMA1	16
SAF-C161PI-LM3V CA-Step	SP000014366	C161PILM3VCAFQXUMA1	28	SAF-XC878CM-16FFI 3V3 AC-Step	SP000696786	XC878CM16FFI3V3ACFXUMA1	16
SAF-C161S-L25M AA-Step	SP000014947	C161SL25MAAFQXUMA1	28	SAF-XC878CM-16FFI 5V AC-Step	SP000679860	XC878CM16FFI5VACFXUMA1	16
SAF-C161S-LM3V AA-Step	SP000014948	C161SLM3VAAFQXUMA1	28	SAF-XC878M-13FFI 3V3 AC-Step	SP000696774	XC878M13FFI3V3ACFXUMA1	16
SAF-C164CI-8E25M DB-Step	SP000104053	C164CI8E25MDBFXQMA1	29	SAF-XC878M-16FFI 3V3 AC-Step	SP000696778	XC878M16FFI3V3ACFXUMA1	16
SAF-C164CI-8E25M DB-Step	SP000104054	C164CI8E25MDBFXUMA1	29	SAF-XC878M-16FFI 5V AC-Step	SP000696780	XC878M16FFI5VACFXUMA1	16
SAF-C164CI-8EM CB-Step	SP000103498	C164CI8EMCBFXQMA1	29	SAF-XC886-6FFI 5V AC-Step	SP000607048	XC8866FFI5VACFXUMA1	17
SAF-C164CI-8EM CB-Step	SP000103499	C164CI8EMCBFXUMA1	29	SAF-XC886-8FFI 5V AC-Step	SP000607054	XC8868FFI5VACFXUMA1	17
SAF-C164CI-8EM DB-Step	SP000104055	C164CI8EMDBFXQMA1	29	SAF-XC886C-6FFA 5V AC-Step	SP000607068	XC886C6FFA5VACFXUMA1	17
SAF-C164CI-8EM DB-Step	SP000104056	C164CI8EMDBFXUMA1	29	SAF-XC886C-6FFI 3V3 AC-Step	SP000655548	XC886C6FFI3V3ACFXUMA1	17
SAF-C164CI-8RM CA-Step	SP000957756	C164CI8RMCAFZZA1	29	SAF-XC886C-6FFI 5V AC-Step	SP000607056	XC886C6FFI5VACFXUMA1	17
SAF-C164CI-LM CA+-Step	SP0000103495	C164CILMCAFQXUMA1	29	SAF-XC886C-8FFI 5V AC-Step	SP000607010	XC886C8FFI5VACFXUMA1	17
SAF-C164CM-4EF AB-Step	SP000104062	C164CM4EFABFXUMA1	30	SAF-XC886CM-6RFA	SP000254732	XC886CM6RFAFZZA1	18
SAF-C165-L25F HA-Step	SP000012870	C165L25FHAFQXUMA1	30	SAF-XC886CM-8FFI 5V AC-Step	SP000607014	XC886CM8FFI5VACFXUMA1	19
SAF-C165-L25M HA-Step	SP000011629	C165L25MHAFQXMA1	30	SAF-XC886CM-8RFA AA-Step	SP000235443	XC886CM8RFAAAFZZA1	19
SAF-C165-L25M HA-Step	SP000011630	C165L25MHAFQXUMA1	30	SAF-XC886LM-6FFA 5V AC-Step	SP000657428	XC886LM6FFA5VACFXUMA1	19
SAF-C165-LF HA-Step	SP000011631	C165LFHAFQXUMA1	30	SAF-XC886LM-6FFI 5V AC-Step	SP000607050	XC886LM6FFI5VACFXUMA1	19
SAF-C165-LF3V HA-Step	SP000011632	C165LF3VHAFQXUMA1	30	SAF-XC886LM-8FFI 5V AC-Step	SP000607052	XC886LM8FFI5VACFXUMA1	19
SAF-C165-LM HA-Step	SP000011633	C165LMHAFQXMA1	30	SAF-XC888-6FFI 5V AC-Step	SP000607062	XC8886FFI5VACFXUMA1	20
SAF-C165-LM HA-Step	SP000011634	C165LMHAFQXUMA1	30	SAF-XC888-8FFI 5V AC-Step	SP000646588	XC8888FFI5VACFXUMA1	20
SAF-C165-LM3V HA-Step	SP000011635	C165LM3VHAFQXUMA1	30	SAF-XC888CLM-8FFI 5V AC-Step	SP000253397	XC888CLM8FFI5VACFXUMA1	20
SAF-C167CR-LM HA+-Step	SP000103464	C167CRLMHAFQMA1	31	SAF-XC888CM-6RFA	SP000257476	XC888CM6RFAFZZA1	21
SAF-C167CR-LM HA+-Step	SP000103465	C167CRLMHAFQXMA1	31	SAF-XC888CM-8FFI 3V3 AC-Step	SP000607084	XC888CM8FFI3V3ACFXUMA1	21
SAF-C167CS-L16M3V CA+-Step	SP000103469	C167CSL16M3VCAFQXQMA1	31	SAF-XC888CM-8FFI 5V AC-Step	SP000655550	XC888CM8FFI5VACFXUMA1	21
SAF-C167CS-L16M3V CA+-Step	SP000103470	C167CSL16M3VCAFQXUMA1	31	SAF-XC888CM-8RFA AA-Step	SP000245812	XC888CM8RFAAAFZZA1	21
SAF-C167CS-L33M CA+-Step	SP000103485	C167CSL33MCAFQXQMA1	31	SAF-XC888LM-6FFI 3V3 AC-Step	SP000307472	XC888LM6FFI3V3ACFXUMA1	21
SAF-C167CS-L33M CA+-Step	SP000103486	C167CSL33MCAFQXUMA1	31	SAF-XC888LM-8FFI 5V AC-Step	SP000607064	XC888LM8FFI5VACFXUMA1	21
SAF-C167CS-LM CA+-Step	SP000103487	C167CSLMCAFQXQMA1	31	SAF-XE160FU-4F66R AA-Step	SP000859274	XE160FU4F66RAAFXUMA1	33
SAF-C167CS-LM CA+-Step	SP000103488	C167CSLMCAFQXUMA1	31	SAF-XE160FU-8F66R AA-Step	SP000859278	XE160FU8F66RAAFXUMA1	33



Summary of Types

Type	Ordering Code	Orderable Part Number	Page	Type	Ordering Code	Orderable Part Number	Page
SAF-XE161FL-12F80V AA-Step	SP000859298	XE161FL12F80VAAFUXUMA1	33	SAH-XC2361B-40F66L AA-Step	SP000365913	XC2361B40F66LAAHXUMA1	58
SAF-XE161FL-20F80V AA-Step	SP000859290	XE161FL20F80VAAFUXUMA1	34	SAH-XC2361B-40F80L AA-Step	SP000524448	XC2361B40F80LAAHXUMA1	58
SAF-XE161FU-4F66V AA-Step	SP000859282	XE161FU4F66VAAFUXUMA1	34	SAK-C161CS-LF CA-Step	SP000106868	C161CSLFCAXKQMA1	26
SAF-XE161FU-8F66V AA-Step	SP000859286	XE161FU8F66VAAFUXUMA1	34	SAK-C161JC-LF CA-Step	SP000106870	C161JCLFCAXKQMA1	26
SAF-XE161HL-12F80V AA-Step	SP000859302	XE161HL12F80VAAFUXUMA1	34	SAK-C164CI-8E25M DB-Step	SP000104057	C164CI8E25MDBKXQMA1	29
SAF-XE161HL-20F80V AA-Step	SP000966484	XE161HL20F80VAAFUXUMA1	34	SAK-C164CI-8E25M DB-Step	SP000104058	C164CI8E25MDBKXQMA1	29
SAF-XE161HL-20F80V AA-Step	SP000859294	XE161HL20F80VAAFUXUMA1	34	SAK-C164CI-8EM CB-Step	SP000103500	C164CI8EMCBKXQMA1	29
SAF-XE162FL-12F80L AA-Step	SP000859314	XE162FL12F80LAAFQXSA1	35	SAK-C164CI-8EM CB-Step	SP000103501	C164CI8EMCBKXQMA1	29
SAF-XE162FL-20F80L AA-Step	SP000859306	XE162FL20F80LAAFQXSA1	35	SAK-C164CI-8EM DB-Step	SP000104059	C164CI8EMDBKXQMA1	29
SAF-XE162FM-24F80L AA-Step	SP000397634	XE162FM24F80LAAFUXUMA1	35	SAK-C164CI-8EM DB-Step	SP000104060	C164CI8EMDBKXQMA1	29
SAF-XE162FM-72F80L AA-Step	SP000397630	XE162FM72F80LAAFUXUMA1	35	SAK-C164CI-L25M CA+-Step	SP000103496	C164CIL25MCAKXUMA1	29
SAF-XE162FN-16F80L AA-Step	SP000518060	XE162FN16F80LAAFUXUMA1	35	SAK-C164CI-LM CA+-Step	SP000103497	C164CILMCAKXUMA1	29
SAF-XE162FN-24F80L AA-Step	SP000518062	XE162FN24F80LAAFUXUMA1	36	SAK-C164CM-4EF AB-Step	SP000104063	C164CM4EFABKXUMA1	30
SAF-XE162FN-40F80L AA-Step	SP000726684	XE162FN40F80LAAFQXSA1	36	SAK-C167CR-L33M HA+-Step	SP000103460	C167CRL33MHAKXQMA1	31
SAF-XE162HL-12F80L AA-Step	SP000859318	XE162HL12F80LAAFQXSA1	36	SAK-C167CR-L33M HA+-Step	SP000103461	C167CRL33MHAKXQMA1	31
SAF-XE162HL-20F80L AA-Step	SP000859310	XE162HL20F80LAAFQXSA1	36	SAK-C167CR-LM HA+-Step	SP000103466	C167CRLMHAKXQMA1	31
SAF-XE162HL-20F80L AA-Step	SP000966486	XE162HL20F80LAAFQXSA2	36	SAK-C167CR-LM HA+-Step	SP000103467	C167CRLMHAKXQMA1	31
SAF-XE162HM-72F80L AA-Step	SP000397638	XE162HM72F80LAAFUXUMA1	36	SAK-C167CS-L33M CA+-Step	SP000103489	C167CSL33MCAKXUMA1	31
SAF-XE162HN-16F80L AA-Step	SP000518066	XE162HN16F80LAAFUXUMA1	36	SAK-C167CS-L40M CA+-Step	SP000103491	C167CSL40MCAKXUMA1	32
SAF-XE162HN-24F80L AA-Step	SP000518068	XE162HN24F80LAAFUXUMA1	37	SAK-C167CS-LM CA+-Step	SP000103492	C167CSLMCAKXQMA1	31
SAF-XE164F-24F66L AC-Step	SP000363794	XE164F24F66LACFXQMA1	38	SAK-C167CS-LM CA+-Step	SP000103493	C167CSLMCAKXUMA1	31
SAF-XE164F-24F66L AC-Step	SP000363793	XE164F24F66LACFXQMA1	38	SAK-C167SR-LM HA+-Step	SP000103458	C167SRMLHAKXQMA1	32
SAF-XE164F-48F66L AC-Step	SP000363785	XE164F48F66LACFXQMA1	38	SAK-C167SR-LM HA+-Step	SP000103459	C167SRMLHAKXQMA1	32
SAF-XE164F-48F66L AC-Step	SP000363784	XE164F48F66LACFXQMA1	38	SAK-C505CA-4EM CA-Step	SP000106396	C505CA4EMCAKXQMA1	22
SAF-XE164F-72F66L AC-Step	SP000363775	XE164F72F66LACFXQMA1	38	SAK-C505CA-4EM CA-Step	SP000106397	C505CA4EMCAKXUMA1	22
SAF-XE164F-96F66L AC-Step	SP000363762	XE164F96F66LACFXQMA1	38	SAK-TC1197-256F180E AC-Step	SP000627556	TC1197256F180EACKXUMA1	64
SAF-XE164F-96F66L AC-Step	SP000363761	XE164F96F66LACFXQMA1	38	SAK-TC1197-512F180E AC-Step	SP000602872	TC1197512F180EACKXUMA1	64
SAF-XE164F-96F80L AC-Step	SP000884948	XE164F96F80LACFXQMA1	38	SAK-TC1724N-192F133HR AC-Step	SP001064674	TC1724N192F133HRACKXUMA1	65
SAF-XE164F-96F80L AC-Step	SP000450812	XE164F96F80LACFXQMA1	39	SAK-TC1736-128F80HL AC-Step	SP000366518	TC1736128F80HLAAKXQMA1	65
SAF-XE164FM-24F80L AA-Step	SP000397562	XE164FM24F80LAAFUXUMA1	38	SAK-TC1766-192F80HL BD-Step	SP000771726	TC1766192F80HLBDKXUMA2	66
SAF-XE164FM-72F80L AA-Step	SP000397558	XE164FM72F80LAAFUXUMA1	39	SAK-TC1767-256F133HR AD-Step	SP000855112	TC1767256F133HRADKQMA1	66
SAF-XE164FN-16F80L AA-Step	SP000518034	XE164FN16F80LAAFUXUMA1	39	SAK-TC1767-256F133HR AD-Step	SP001007278	TC1767256F133HRADKXUMA1	66
SAF-XE164FN-40F80L AA-Step	SP000726688	XE164FN40F80LAAFQXSA1	39	SAK-TC1782F-320F180HR BA-Step	SP000862218	TC1782F320F180HRBAKXUMA1	66
SAF-XE164FN-40F80L AA-Step	SP000518038	XE164FN40F80LAAFUXUMA1	39	SAK-TC1782N-320F180HL BA-Step	SP000884904	TC1782N320F180HLBAKXUMA1	66
SAF-XE164G-24F66L AC-Step	SP000363797	XE164G24F66LACFXQMA1	40	SAK-TC1782N-320F180HR BA-Step	SP000874788	TC1782N320F180HRBAKXUMA1	66
SAF-XE164G-24F66L AC-Step	SP000363795	XE164G24F66LACFXQMA1	40	SAK-TC1784N-320F180EL BA-Step	SP000947718	TC1784N320F180ELBAKXUMA1	66
SAF-XE164G-48F66L AC-Step	SP000363787	XE164G48F66LACFXQMA1	40	SAK-TC1791N-384F200EP AB-Step	SP000947722	TC1791N384F200EPABKXUMA1	67
SAF-XE164G-96F66L AC-Step	SP000363764	XE164G96F66LACFXQMA1	40	SAK-TC1793F-512F270EB AB-Step	SP000887646	TC1793F512F270EBABKXUMA1	67
SAF-XE164GM-24F80L AA-Step	SP000397568	XE164GM24F80LAAFUXUMA1	40	SAK-TC1793FN-512F270EF AB-Step	SP000947760	TC1793FN512F270EFABKXUMA1	67
SAF-XE164GM-72F80L AA-Step	SP000397564	XE164GM72F80LAAFUXUMA1	40	SAK-TC1796-256F150E BE-Step	SP000438972	TC1796256F150EBEKXUMA1	68
SAF-XE164H-72F66L AC-Step	SP000363780	XE164H72F66LACFXQMA1	41	SAK-TC1797-384F150E AC-Step	SP000608762	TC1797384F150EACKXUMA1	68
SAF-XE164H-72F66L AC-Step	SP000363779	XE164H72F66LACFXQMA1	41	SAK-TC1797-512F180E AC-Step	SP000478918	TC1797512F180EACKXUMA1	68
SAF-XE164H-96F66L AC-Step	SP000363766	XE164H96F66LACFXQMA1	41	SAK-TC1798N-512F300EP AB-Step	SP000947796	TC1798N512F300EPABKXUMA1	68
SAF-XE164H-96F66L AC-Step	SP000363765	XE164H96F66LACFXQMA1	41	SAK-XC161CJ-16F40F BB-Step	SP000224540	XC161CJ16F40FBBKXUMA1	23
SAF-XE164HM-72F80L AA-Step	SP000397570	XE164HM72F80LAAFUXUMA1	41	SAK-XC161CS-32F40F BB-A-Step	SP000224544	XC161CS32F40FBBKXUMA1	23
SAF-XE164HN-16F80L AA-Step	SP000518046	XE164HN16F80LAAFUXUMA1	41	SAK-XC164CM-16F20F BA-Step	SP000245661	XC164CM16F20FBAKXUMA1	24
SAF-XE164HN-40F80L AA-Step	SP000518048	XE164HN40F80LAAFUXUMA1	41	SAK-XC164CM-16F40F BA-Step	SP000258408	XC164CM16F40FBAKXQMA1	24
SAF-XE164K-48F66L AC-Step	SP000363791	XE164K48F66LACFXQMA1	42	SAK-XC164CM-16F40F BA-Step	SP000258407	XC164CM16F40FBAKXUMA1	24
SAF-XE164K-96F66L AC-Step	SP000363771	XE164K96F66LACFXQMA1	42	SAK-XC164CM-8F20F AA-Step	SP000065643	XC164CM8F20FAAKXUMA1	23
SAF-XE164K-96F66L AC-Step	SP000363770	XE164K96F66LACFXQMA1	42	SAK-XC164CM-8F40F AA-Step	SP000203869	XC164CM8F40FAAKXQMA1	23
SAF-XE164KM-48F80L AA-Step	SP000397578	XE164KM48F80LAAFUXUMA1	42	SAK-XC164CM-8F40F AA-Step	SP000065644	XC164CM8F40FAAKXUMA1	23
SAF-XE164KM-72F80L AA-Step	SP000397576	XE164KM72F80LAAFUXUMA1	42	SAK-XC164CS-16F40F BB-Step	SP000224561	XC164CS16F40FBBKXQMA1	24
SAF-XE164KN-16F80L AA-Step	SP000518054	XE164KN16F80LAAFUXUMA1	42	SAK-XC164CS-16F40F BB-Step	SP000224560	XC164CS16F40FBBKXUMA1	24
SAF-XE167F-48F66L AC-Step	SP000363822	XE167F48F66LACFXQMA1	43	SAK-XC164CS-32F20F BB-A-Step	SP000224594	XC164CS32F20FBBKXUMA1	24
SAF-XE167F-72F66L AC-Step	SP000363813	XE167F72F66LACFXQMA1	43	SAK-XC164CS-32F40F BB-A-Step	SP000224597	XC164CS32F40FBBKXQMA1	24
SAF-XE167F-96F66L AC-Step	SP000363803	XE167F96F66LACFXQMA1	43	SAK-XC164CS-32F40F BB-A-Step	SP000224596	XC164CS32F40FBBKXUMA1	24
SAF-XE167F-96F66L AC-Step	SP000363802	XE167F96F66LACFXQMA1	43	SAK-XC167CI-16F40F BB-Step	SP000224695	XC167CI16F40FBBKXQMA1	25
SAF-XE167F-96F80L AC-Step	SP000450816	XE167F96F80LACFXQMA1	43	SAK-XC167CI-16F40F BB-Step	SP000224694	XC167CI16F40FBBKXUMA1	25
SAF-XE167FH-136F100L AB-Step	SP000874840	XE167FH136F100LABFXUMA1	43	SAK-XC167CI-32F40F BB-A-Step	SP000224707	XC167CI32F40FBBKXQMA1	25
SAF-XE167FH-200F100L AB-Step	SP000856466	XE167FH200F100LABFXUMA1	43	SAK-XC167CI-32F40F BB-A-Step	SP000224706	XC167CI32F40FBBKXUMA1	25
SAF-XE167FM-72F80L AA-Step	SP000397582	XE167FM72F80LAAFUXUMA1	44	SAK-XC2030N-40F80L AA-Step	SP000905004	XC2030N40F80LAAKXUMA1	48
SAF-XE167G-72F66L AC-Step	SP000363815	XE167G72F66LACFXQMA1	44	SAK-XC2060-96F66L AC-Step	SP000919142	XC206096F66LACKXUMA1	50
SAF-XE167G-96F66L AC-Step	SP000363805	XE167G96F66LACFXQMA1	44	SAK-XC2060-96F80L AC-Step	SP000904994	XC206096F80LACKXUMA1	50
SAF-XE167H-48F66L AC-Step	SP000363826	XE167H48F66LACFXQMA1	45	SAK-XC2060N-40F80L AA-Step	SP000905002	XC2060N40F80LAAKXUMA1	50
SAF-XE167H-96F66L AC-Step	SP000363806	XE167H96F66LACFXQMA1	45	SAK-XC2080-96F66L AC-Step	SP000919146	XC208096F66LACKXUMA1	53
SAF-XE167HM-72F80L AA-Step	SP000397594	XE167HM72F80LAAFUXUMA1	45	SAK-XC2080-96F80L AC-Step	SP000904992	XC208096F80LACKXUMA1	53
SAF-XE167K-48F66L AC-Step	SP000363828	XE167K48F66LACFXQMA1	46	SAK-XC2080H-200F100L AB-Step	SP000905006	XC2080H200F100LABKXUMA1	53
SAF-XE167K-72F66L AC-Step	SP000363819	XE167K72F66LACFXQMA1	46	SAK-XC2210U-4F40R AA-Step	SP000858094	XC2210U4F40RAAKXUMA1	47
SAF-XE167K-96F66L AC-Step	SP000363809	XE167K96F66LACFXQMA1	46	SAK-XC2220U-4F40V AA-Step	SP000858088	XC2220U4F40VAAKXUMA1	47
SAF-XE169FH-136F100L AB-Step	SP000874844	XE169FH136F100LABFXUMA1	46	SAK-XC2220U-8F40V AA-Step	SP000846742	XC2220U8F40VAAKXUMA1	47
SAF-XE169FH-200F100L AB-Step	SP000874838	XE169FH200F100LABFXUMA1	46	SAK-XC2224L-20F66V AA-Step	SP000846740	XC2224L20F66VAAKXUMA1	47
SAH-XC2237M-104F80L AA-Step	SP000720382	XC2237M104F80LAAHXUMA1	48	SAK-XC2234L-20F66L AA-Step	SP000846738	XC2234L20F66LAAKXUMA1	48
SAH-XC2336B-40F80L AA-Step	SP000847032	XC2336B40F80LAAHXUMA1	57	SAK-XC2236N-40F80L AA-Step	SP000605510	XC2236N40F80LAAKXUMA1	48

Summary of Types

Type	Ordering Code	Orderable Part Number	Page	Type	Ordering Code	Orderable Part Number	Page
SAK-XC2238N-24F40L AA-Step	SP000720844	XC2238N24F40LAAKXUMA1	49	SAK-XC874LM-13FVA 5V AC-Step	SP000858082	XC874LM13FVA5VACKXUMA1	15
SAK-XC2238N-40F40L AA-Step	SP000691244	XC2238N40F80LAAKXUMA1	49	SAK-XC874LM-16FVA 5V AC-Step	SP000858086	XC874LM16FVA5VACKXUMA1	15
SAK-XC2263N-24F40L AA-Step	SP000527764	XC2263N24F40LAAKXUMA1	50	SAK-XC878-13FFA 5V AC-Step	SP000847062	XC87813FFA5VACKXUMA1	16
SAK-XC2263N-40F40L AA-Step	SP000527768	XC2263N40F40LAAKXUMA1	50	SAK-XC878-16FFA 5V AC-Step	SP000847066	XC87816FFA5VACKXUMA1	16
SAK-XC2264-56F66L AC-Step	SP000300114	XC226456F66LACKXUMA1	51	SAK-XC878CLM-16FFA 5V AC-Step	SP000761974	XC878CLM16FFA5VACKXUMA1	16
SAK-XC2265N-40F80L AA-Step	SP000527774	XC2265N40F80LAAKXUMA1	51	SAK-XC878CM-16FFA 5V AC-Step	SP000847064	XC878CM16FFA5VACKXUMA1	16
SAK-XC2267-56F66L AC-Step	SP000300104	XC226756F66LACKXUMA1	51	SAK-XC878LM-16FFA 5V AC-Step	SP000844190	XC878LM16FFA5VACKXUMA1	16
SAK-XC2267-96F66L AC-Step	SP000250942	XC226796F66LACKXUMA1	51	SAK-XC886-6FFA 5V AC-Step	SP000210978	XC8866FFA5VACKXUMA1	17
SAK-XC2267-96F80L AC-Step	SP000300101	XC226796F80LACKXUMA1	52	SAK-XC886-8FFI 5V AC-Step	SP000607058	XC8868FFI5VACKXUMA1	17
SAK-XC2267M-104F80L AC-Step	SP000398034	XC2267M104F80LAAKXUMA1	52	SAK-XC886C-6FFA 5V AC-Step	SP000607004	XC886C6FFA5VACKXUMA1	17
SAK-XC2267M-72F80L AC-Step	SP000455314	XC2267M72F80LAAKXUMA1	52	SAK-XC886C-8FFA 5V AC-Step	SP000606668	XC886C8FFA5VACKXUMA1	17
SAK-XC2268-136F128L AA-Step	SP000893180	XC2268136F128LAAKXUMA1	52	SAK-XC886CLM-8FFA 5V AC-Step	SP000606750	XC886CLM8FFA5VACKXUMA1	18
SAK-XC2268N-40F80L AA-Step	SP000720866	XC2268N40F80LAAKXUMA1	52	SAK-XC886CM-6RFA 5V AA-Step	SP000245804	XC886CM6RFA5VAAKZZZA1	18
SAK-XC2269-136F128L AA-Step	SP000858186	XC2269136F128LAAKXUMA1	52	SAK-XC886CM-8FFA 3V3 AC-Step	SP000607082	XC886CM8FFA3V3ACKXUMA1	18
SAK-XC2267-96F66L AC-Step	SP000432418	XC226796F66LACKXUMA1	53	SAK-XC886CM-8FFA 5V AC-Step	SP000606964	XC886CM8FFA5VACKXUMA1	19
SAK-XC2267-96F80L AC-Step	SP000300037	XC226796F80LACKXUMA1	53	SAK-XC886CM-8RFA 5V AA-Step	SP000245801	XC886CM8RFA5VAAKZZZA1	19
SAK-XC2287M-104F80L AA-Step	SP000436560	XC2287M104F80LAAKXUMA1	54	SAK-XC886LM-6FFA 5V AC-Step	SP000606754	XC886LM6FFA5VACKXUMA1	19
SAK-XC2287M-72F80L AA-Step	SP000455428	XC2287M72F80LAAKXUMA1	54	SAK-XC886LM-8FFA 5V AC-Step	SP000606752	XC886LM8FFA5VACKXUMA1	19
SAK-XC2288H-200F100L AB-Step	SP000844806	XC2288H200F100LABKXUMA1	54	SAK-XC888C-8FFA 5V AC-Step	SP000606958	XC888C8FFA5VACKXUMA1	20
SAK-XC2289H-200F100L AB-Step	SP000700616	XC2289H200F100LABKXUMA1	54	SAK-XC888CLM-8FFA 5V AC-Step	SP000606756	XC888CLM8FFA5VACKXUMA1	20
SAK-XC2289-136F128L AB-Step	SP000858172	XC2289136F128LABKXUMA1	54	SAK-XC888CM-6RFA 5V AA-Step	SP000257472	XC888CM6RFA5VAAKZZZA1	21
SAK-XC2298H-200F100L AB-Step	SP000844810	XC2298H200F100LABKXUMA1	55	SAK-XC888CM-8FFA 3V3 AC-Step	SP000715010	XC888CM8FFA3V3ACKXUMA1	21
SAK-XC2299H-200F100L AB-Step	SP000761326	XC2299H200F100LABKXUMA1	55	SAK-XC888CM-8FFA 5V AC-Step	SP000607006	XC888CM8FFA5VACKXUMA1	21
SAK-XC2310S-8F40R AA-Step	SP000870600	XC2310S8F40RAAKXUMA1	56	SAK-XC888LM-6FFA 5V AC-Step	SP000210994	XC888LM6FFA5VACKXUMA1	21
SAK-XC2321D-20F66V AA-Step	SP000846748	XC2321D20F66VAAKXUMA1	56	SAK-XE160FU-4F40R AA-Step	SP000859272	XE160FU4F40RAAKXUMA1	33
SAK-XC2331D-12F66L AA-Step	SP000914768	XC2331D12F66LAAKFUMA1	56	SAK-XE160FU-8F40R AA-Step	SP000859276	XE160FU8F40RAAKXUMA1	33
SAK-XC2331D-20F66L AA-Step	SP000870660	XC2331D20F66LAAKXUMA1	56	SAK-XE161FL-12F66V AA-Step	SP000859296	XE161FL12F66VAAKXUMA1	33
SAK-XC2336B-40F20L AA-Step	SP000559070	XC2336B40F20LAAKXUMA1	57	SAK-XE161FL-20F66V AA-Step	SP000859288	XE161FL20F66VAAKXUMA1	33
SAK-XC2336B-40F66L AA-Step	SP000541986	XC2336B40F66LAAKXUMA1	57	SAK-XE161FU-4F40V AA-Step	SP000859280	XE161FU4F40VAAKXUMA1	34
SAK-XC2336B-40F80L AA-Step	SP000541980	XC2336B40F80LAAKXUMA1	57	SAK-XE161FU-8F40V AA-Step	SP000859284	XE161FU8F40VAAKXUMA1	34
SAK-XC2361E-136F128L AA-Step	SP000886966	XC2361E136F128LAAKXUMA1	58	SAK-XE161HL-12F66V AA-Step	SP000859300	XE161HL12F66VAAKXUMA1	34
SAK-XC2364A-104F80L AA-Step	SP000526792	XC2364A104F80LAAKXUMA1	59	SAK-XE161HL-20F66V AA-Step	SP000859292	XE161HL20F66VAAKXUMA1	34
SAK-XC2364B-40F80L AA-Step	SP000541956	XC2364B40F80LAAKXUMA1	59	SAK-XE162FL-12F66L AA-Step	SP000859312	XE162FL12F66LAAKXQSA1	35
SAK-XC2365A-104F80L AA-Step	SP000448776	XC2365A104F80LAAKXUMA1	59	SAK-XE162FL-20F66L AA-Step	SP000859304	XE162FL20F66LAAKXUMA1	35
SAK-XC2365A-72F80L AA-Step	SP000448774	XC2365A72F80LAAKXUMA1	59	SAK-XE162FN-40F80L AA-Step	SP000726686	XE162FN40F80LAAKXQSA1	36
SAK-XC2365B-40F80L AA-Step	SP000541896	XC2365B40F80LAAKXUMA1	59	SAK-XE162FN-40F80L AA-Step	SP000634794	XE162FN40F80LAAKXUMA1	36
SAK-XC2387A-104F80L AA-Step	SP000448780	XC2387A104F80LAAKXUMA1	60	SAK-XE162HL-12F66L AA-Step	SP000859316	XE162HL12F66LAAKXQSA1	36
SAK-XC2387A-56F80L AA-Step	SP000526972	XC2387A56F80LAAKXUMA1	60	SAK-XE162HL-20F66L AA-Step	SP000859308	XE162HL20F66LAAKXQSA1	36
SAK-XC2387C-136F100L AB-Step	SP000722460	XC2387C136F100LABKXUMA1	60	SAK-XE162HN-24F80L AA-Step	SP000692014	XE162HN24F80LAAKXUMA1	37
SAK-XC2387C-200F100L AB-Step	SP001060934	XC2387C200F100LABKXUMA1	60	SAK-XE162HN-40F80L AA-Step	SP000692016	XE162HN40F80LAAKXUMA1	37
SAK-XC2388E-136F128L AA-Step	SP000886984	XC2388E136F128LAAKXUMA1	60	SAK-XE164FM-48F80L AA-Step	SP000628602	XE164FM48F80LAAKXUMA1	38
SAK-XC2723X-20F66V AA-Step	SP000847088	XC2723X20F66VAAKXUMA1	61	SAK-XE164FM-72F80L AA-Step	SP000628606	XE164FM72F80LAAKXUMA1	39
SAK-XC2733X-20F66L AA-Step	SP000847086	XC2733X20F66LAAKXUMA1	61	SAK-XE164FN-40F80L AA-Step	SP000634792	XE164FN40F80LAAKXUMA1	39
SAK-XC2734X-40F80L AA-Step	SP000627030	XC2734X40F80LAAKXUMA1	61	SAK-XE164GM-72F80L AA-Step	SP000628618	XE164GM72F80LAAKXUMA1	40
SAK-XC2764X-40F80L AA-Step	SP000627028	XC2764X40F80LAAKXUMA1	62	SAK-XE167FH-200F100L AB-Step	SP000845650	XE167FH200F100LABKXUMA1	43
SAK-XC2765X-104F80L AA-Step	SP000443762	XC2765X104F80LAAKXUMA1	62	SAK-XE167FM-72F80L AA-Step	SP000966480	XE167FM72F80LAAKXQMA1	44
SAK-XC2765X-72F80L AA-Step	SP000448084	XC2765X72F80LAAKXUMA1	62	SAK-XE167FM-72F80L AA-Step	SP000628636	XE167FM72F80LAAKXUMA1	44
SAK-XC2768X-136F128L AA-Step	SP000886994	XC2768X136F128LAAKXUMA1	62	SAK-XE167HM-72F80L AA-Step	SP000628646	XE167HM72F80LAAKXUMA1	45
SAK-XC2785X-104F80L AA-Step	SP000439080	XC2785X104F80LAAKXUMA1	63	SAK-XE169FH-200F100L AB-Step	SP000966482	XE169FH200F100LABKXQSA1	46
SAK-XC2787X-200F100L AB-Step	SP000804404	XC2787X200F100LABKXUMA1	63	SAK-XE169FH-200F100L AB-Step	SP000845654	XE169FH200F100LABKXUMA1	46
SAK-XC2788X-136F128L AA-Step	SP000886706	XC2788X136F128LAAKXUMA1	63	SAK167CS-L40M CA+-Step	SP000103490	C167CSL40MCAKXQLA1	32
SAK-XC2797X-200F100L AB-Step	SP000804406	XC2797X200F100LABKXUMA1	63	SAL-XC866-4FRA 3V BE-Step	SP000908370	XC8664FRA3VBELXUMA1	14
SAK-XC822-1FRA AA-Step	SP000873388	XC8221FRAAAKXUMA1	11	SAL-XC866-4FRA 5V BE-Step	SP000876776	XC8664FRA5VBELXUMA1	14
SAK-XC822MT-0FRA AA-Step	SP000898396	XC822MT0FRAAAKXUMA1	11	SAL-XC866L-2FRA 3V BE-Step	SP000915406	XC866L2FRA3VBELXUMA1	14
SAK-XC822MT-1FRA AA-Step	SP000847976	XC822MT1FRAAAKXUMA1	11	SAL-XC866L-2FRA 5V BE-Step	SP000914682	XC866L2FRA5VBELXUMA1	14
SAK-XC836MT-1FRA AB-Step	SP000848856	XC836MT1FRAABKXUMA1	12	SAL-XC866L-4FRA 3V BE-Step	SP000908378	XC866L4FRA3VBELXUMA1	15
SAK-XC836MT-2FRA AB-Step	SP000847972	XC836MT2FRAABKXUMA1	12	SAL-XC866L-4FRA 5V BE-Step	SP000876778	XC866L4FRA5VBELXUMA1	15
SAK-XC866-1FRA AB-Step	SP000235420	XC8661FRAABKXUMA1	13	SAL-XC886CLM-8FFA 5V AC-Step	SP000829526	XC886CLM8FFA5VACLXUMA1	18
SAK-XC866-2FRA BE-Step	SP000272971	XC8662FRABEKXUMA1	13	SAL-XC886CM-8FFA AC-Step	SP000844270	XC886CM8FFA5VACLXUMA1	19
SAK-XC866-2FRI BE-Step	SP000245783	XC8662FRIBEKXUMA1	13	SAL-XC886LM-8FFA 5V AC-Step	SP000844272	XC886LM8FFA5VACLXUMA1	19
SAK-XC866-2RRA AB-Step	SP000232708	XC8662RRAABKZZZA1	14	SAX-XC878CLM-16FFA5V AC-Step	SP000808972	XC878CLM16FFA5VACKXUMA1	16
SAK-XC866-4FRA BE-Step	SP000245770	XC8664FRABEKXUMA1	13	SAX-XC878CM-16FFA 5V AC-Step	SP000409562	XC878CM16FFA5VACKXUMA1	16
SAK-XC866-4FRI BE-Step	SP000245786	XC8664FRIBEKXUMA1	14	SAX-XC878LM-13FFA 5V AC-Step	SP000447320	XC878LM13FFA5VACKXUMA1	16
SAK-XC866-4RRA AB-Step	SP000232706	XC8664RRAABKZZZA1	14	SLE 5528 M3.2	SP000268874	SLE5528M32XHSA2	223
SAK-XC866L-1FRA AB-Step	SP000235421	XC866L1FRAABKXUMA1	14	SLE 5532 M3.2	SP000232944	SLE5532M32XHSA2	223
SAK-XC866L-4FRA 3V BE-Step	SP000442054	XC866L4FRA3VBELXUMA1	15	SLE 5542 M3.2	SP000232943	SLE5542M32XHSA2	223
SAK-XC866L-4FRA BE-Step	SP000245771	XC866L4FRABEKXUMA1	15	SLE 66R01LN NB	SP000953268	SLE66R01LNBNB1SA1	225
SAK-XC866L-4FRI BE-Step	SP000245787	XC866L4FRIBEKXUMA1	15	SLE 66R01PN NB	SP000953914	SLE66R01PNBNB1SA2	225
SAK-XC874-13FVA 5V AC-Step	SP000858084	XC87413FVA5VACKXUMA1	15	SLE 66R04S NB	SP000410344	SLE66R04SNBZZZA1	226
SAK-XC874-16FVA 5V AC-Step	SP000858096	XC87416FVA5VACKXUMA1	15	SLE 66R16P MCC2	SP000410330	SLE66R16PMCC2ZZZA1	226
SAK-XC874CLM-16FVA5V AC-Step	SP000858092	XC874CLM16FVA5VACKXUMA1	15	SLE 66R16P MCC8I	SP000953280	SLE66R16PMCC8IXHSA1	226
SAK-XC874CM-13FVA 5V AC-Step	SP000793736	XC874CM13FVA5VACKXUMA1	15	SLE 66R16S MCC2	SP000410360	SLE66R16SMCC2XHSA1	226
SAK-XC874CM-16FVA 5V AC-Step	SP000858090	XC874CM16FVA5VACKXUMA1	15	SLE 66R16S MCC8	SP000671906	SLE66R16SMCC8XHSA1	226



Summary of Types

Type	Ordering Code	Orderable Part Number	Page	Type	Ordering Code	Orderable Part Number	Page
SLE 66R32P MCC8I	SP000953284	SLE66R32PMCC8IXHSA1	226	SPB08P06P G	SP000102179	SPB08P06PGATMA1	116
SLE 66R32P NB	SP000410340	SLE66R32PMCC2ZZZA1	226	SPB11N60C3	SP000013519	SPB11N60C3ATMA1	105
SLE 66R32S MCC2	SP000410368	SLE66R32SMCC2ZZZA1	226	SPB12N50C3	SP000014894	SPB12N50C3ATMA1	102
SLE 66R32S MCC8	SP000714848	SLE66R32SMCC8ZZZA1	226	SPB16N50C3	SP000014895	SPB16N50C3ATMA1	102
SLE 66R32S NB	SP000410364	SLE66R32SNBZZZA1	226	SPB17N80C3	SP000013370	SPB17N80C3ATMA1	114
SLE 66R35 MCC8I	SP000921134	SLE66R35MCC8IXHSA1	225	SPB18P06P G	SP000102181	SPB18P06PGATMA1	116
SLE 66R35E7 MCC2	SP000883304	SLE66R35E7MCC2ZZZA1	225	SPB20N60C3	SP000013520	SPB20N60C3ATMA1	105
SLE 66R35I MCC8	SP000893184	SLE66R35IMCC8XHSA1	225	SPB21N50C3	SP000013833	SPB21N50C3ATMA1	102
SLE 66R35R MCC2	SP000907630	SLE66R35RMCC2XHSA1	225	SPB80N03S2-03 G	SP000200139	SPB80N03S203GATMA1	79
SLE 66R35R MCC8	SP000907710	SLE66R35RMCC8XHSA1	225	SPB80N06S-08	SP000084808	SPB80N06S08ATMA1	83
SLE 66R35R MCC8	SP000907732	SLE66R35RMCC8IXHSA1	225	SPB80P06P G	SP000096088	SPB80P06PGATMA1	116
SLF 9620 M5.1	SP000949930	SLF9620M51XHSA1	226	SPD01N60C3	SP000307382	SPD01N60C3BTMA1	105
SLF 9620 VQFN8A	SP000949926	SLF9620VQFN8AXUMA1	226	SPD02N50C3	SP000313942	SPD02N50C3BTMA1	102
SLS10ERE USON 3	SP001094082	SLS10EREUSON3XTMA1	227	SPD02N60C3	SP000308771	SPD02N60C3BTMA1	105
SMBD7000 (Dual)	3k SP000014938	SMBD7000E6327HTSA1	200	SPD02N80C3	SP001117754	SPD02N80C3ATMA1	114
SMBD914	3k SP000010209	SMBD914E6327HTSA1	200	SPD02N80C3	SP000315409	SPD02N80C3BTMA1	114
SMBT2222A	3k SP000011176	SMBT2222AE6327HTSA1	198	SPD03N50C3	SP001117756	SPD03N50C3ATMA1	102
SMBT2907A	3k SP000011181	SMBT2907AE6327HTSA1	198	SPD03N50C3	SP000307392	SPD03N50C3BTMA1	102
SMBT3904	10k SP000011675	SMBT3904E6433HTMA1	198	SPD03N60C3	SP001117760	SPD03N60C3ATMA1	105
SMBT3904	3k SP000011673	SMBT3904E6327HTSA1	198	SPD03N60C3	SP000308772	SPD03N60C3BTMA1	105
SMBT3904PN	3k SP0000749584	SMBT3904PNH6327XTSA1	198	SPD04N50C3	SP001117762	SPD04N50C3ATMA1	102
SMBT3904S	3k SP0000749590	SMBT3904SH6327XTSA1	198	SPD04N50C3	SP000313945	SPD04N50C3BTMA1	102
SMBT3904UPN	3k SP000012617	SMBT3904UPNE6327HTSA1	198	SPD04N60C3	SP001117764	SPD04N60C3ATMA1	105
SMBT3906	3k SP000011680	SMBT3906E6327HTSA1	198	SPD04N60C3	SP000313944	SPD04N60C3BTMA1	105
SMBT3906S	3k SP0000749596	SMBT3906SH6327XTSA1	198	SPD04N80C3	SP001117768	SPD04N80C3ATMA1	114
SMBT3906U	3k SP000012616	SMBT3906UE6327HTSA1	198	SPD04N80C3	SP000315410	SPD04N80C3BTMA1	114
SMBTA06	10k SP000011688	SMBTA06E6433HTMA1	196	SPD04P10P G	SP000212230	SPD04P10PGBTMA1	116
SMBTA06	3k SP000011686	SMBTA06E6327HTSA1	196	SPD04P10PL G	SP000212231	SPD04P10PLGBTMA1	116
SMBTA06UPN	3k SP000012393	SMBTA06UPNE6327HTSA1	196	SPD06N60C3	SP001117770	SPD06N60C3ATMA1	105
SMBTA14	3k SP000010872	SMBTA14E6327HTSA1	199	SPD06N60C3	SP000307394	SPD06N60C3BTMA1	105
SMBTA42	3k SP000011000	SMBTA42E6327HTSA1	199	SPD06N80C3	SP001117772	SPD06N80C3ATMA1	114
SMBTA56	3k SP000011692	SMBTA56E6327HTSA1	196	SPD06N80C3	SP000318350	SPD06N80C3BTMA1	114
SMBTA56	10k SP000011695	SMBTA56E6433HTMA1	196	SPD07N20 G	SP000449008	SPD07N20GBTMA1	101
SMBTA92	3k SP000011004	SMBTA92E6327HTSA1	199	SPD07N60C3	SP001117774	SPD07N60C3ATMA1	105
SN7002N	SP000929188	SN7002NH6327XTSA2	96	SPD07N60C3	SP000313947	SPD07N60C3BTMA1	105
SN7002N	SP000924072	SN7002NH6433XTMA1	96	SPD08N50C3	SP001117776	SPD08N50C3ATMA1	102
SN7002W	SP000917572	SN7002WH6327XTSA1	96	SPD08N50C3	SP000307395	SPD08N50C3BTMA1	102
SN7002W	SP000917588	SN7002WH6433XTMA1	96	SPD08P06P G	SP000450534	SPD08P06PGBTMA1	116
SP270-25-256-0	SP000921782	SP270252560XTMA1	211	SPD09P06PL G	SP000443928	SPD09P06PLGBTMA1	116
SP370-23-156-0	SP000878364	SP370231560XTMA1	211	SPD15P10P G	SP000212233	SPD15P10PGBTMA1	116
SP370-25-106-0	SP000934274	SP370251060XTMA1	211	SPD15P10PL G	SP000317393	SPD15P10PLGBTMA1	116
SP370-25-116-0	SP000910344	SP370251160XTMA1	211	SPD18P06P G	SP000443926	SPD18P06PGBTMA1	116
SPA02N80C3	SP000216295	SPA02N80C3XKSA1	114	SPD30N03S2L-07 G	SP000443922	SPD30N03S2L07GBTMA1	79
SPA03N60C3	SP000216296	SPA03N60C3XKSA1	105	SPD30N03S2L-10 G	SP000443918	SPD30N03S2L10GBTMA1	79
SPA04N50C3	SP000216298	SPA04N50C3XKSA1	102	SPD30N03S2L-20 G	SP000443768	SPD30N03S2L20GBTMA1	79
SPA04N60C3	SP000216299	SPA04N60C3XKSA1	105	SPD30P06P G	SP000441776	SPD30P06PGBTMA1	116
SPA04N80C3	SP000216300	SPA04N80C3XKSA1	104	SPD50N03S2-07 G	SP000443920	SPD50N03S207GBTMA1	79
SPA06N60C3	SP000216301	SPA06N60C3XKSA1	105	SPD50N03S2L-06 G	SP000443924	SPD50N03S2L06GBTMA1	79
SPA06N80C3	SP000216302	SPA06N80C3XKSA1	114	SPD50P03L G	SP000371908	SPD50P03LGBTMA1	117
SPA07N60C3	SP000216303	SPA07N60C3XKSA1	105	SPI07N60C3	SP000013521	SPI07N60C3HKSA1	105
SPA07N60CFD	SP000264431	SPA07N60CFDXKSA1	109	SPI07N60C3	SP000680976	SPI07N60C3XKSA1	105
SPA07N65C3	SP000216305	SPA07N65C3XKSA1	111	SPI07N65C3	SP000014632	SPI07N65C3HKSA1	111
SPA08N50C3	SP000216306	SPA08N50C3XKSA1	102	SPI07N65C3	SP000680982	SPI07N65C3XKSA1	111
SPA08N80C3	SP000216310	SPA08N80C3XKSA1	114	SPI08N50C3	SP000014461	SPI08N50C3HKSA1	102
SPA11N60C3	SP000216312	SPA11N60C3XKSA1	105	SPI08N50C3	SP000680984	SPI08N50C3XKSA1	102
SPA11N60CFD	SP000216317	SPA11N60CFDXKSA1	109	SPI08N80C3	SP000683148	SPI08N80C3XKSA1	114
SPA11N65C3	SP000216318	SPA11N65C3XKSA1	111	SPI11N60C3	SP000013522	SPI11N60C3HKSA1	105
SPA11N80C3	SP000216320	SPA11N80C3XKSA1	114	SPI11N60C3	SP000680986	SPI11N60C3XKSA1	105
SPA12N50C3	SP000216322	SPA12N50C3XKSA1	102	SPI11N60CFD	SP000229994	SPI11N60CFDXKSA1	109
SPA15N60C3	SP000216325	SPA15N60C3XKSA1	105	SPI11N60CFD	SP000680990	SPI11N60CFDXKSA1	109
SPA15N60CFD	SP000264432	SPA15N60CFDXKSA1	109	SPI11N65C3	SP000014526	SPI11N65C3HKSA1	111
SPA15N65C3	SP000293730	SPA15N65C3XKSA1	111	SPI11N65C3	SP000680994	SPI11N65C3XKSA1	111
SPA16N50C3	SP000216351	SPA16N50C3XKSA1	102	SPI12N50C3	SP000014467	SPI12N50C3HKSA1	102
SPA17N80C3	SP000216353	SPA17N80C3XKSA1	114	SPI12N50C3	SP000680996	SPI12N50C3XKSA1	102
SPA20N60C3	SP000216354	SPA20N60C3XKSA1	105	SPI15N60C3	SP000014528	SPI15N60C3HKSA1	105
SPA20N60CFD	SP000216361	SPA20N60CFDXKSA1	109	SPI15N60C3	SP000680998	SPI15N60C3XKSA1	105
SPA20N65C3	SP000216362	SPA20N65C3XKSA1	111	SPI15N60CFD	SP000264433	SPI15N60CFDXKSA1	109
SPA21N50C3	SP000216364	SPA21N50C3XKSA1	102	SPI15N60CFD	SP000681000	SPI15N60CFDXKSA1	109
SPB02N60C3	SP000013516	SPB02N60C3ATMA1	105	SPI15N65C3	SP000294825	SPI15N65C3HKSA1	111
SPB03N60C3	SP000013517	SPB03N60C3ATMA1	105	SPI15N65C3	SP000681002	SPI15N65C3XKSA1	111
SPB04N50C3	SP000014477	SPB04N50C3ATMA1	102	SPI16N50C3	SP000014470	SPI16N50C3HKSA1	102
SPB04N60C3	SP000013533	SPB04N60C3ATMA1	105	SPI16N50C3	SP000681004	SPI16N50C3XKSA1	102
SPB07N60C3	SP000013518	SPB07N60C3ATMA1	105	SPI20N60C3	SP000014453	SPI20N60C3HKSA1	105

Summary of Types

Type	Ordering Code	Orderable Part Number	Page	Type	Ordering Code	Orderable Part Number	Page
TDA5225	SP000507672	TDA5225XUMA1	217	TLE4263GM	SP000300931	TLE4263GMXUMA1	150
TDA5230	SP000076520	TDA5230XUMA1	217	TLE4263GS	SP000306724	TLE4263GSXUMA1	150
TDA5231	SP000202847	TDA5231XUMA1	217	TLE4264-2G	SP000804364	TLE42642GHTSA2	152
TDA5235	SP000507674	TDA5235XUMA1	217	TLE42644G	SP001159844	TLE42644GHTSA3	150
TDA5240	SP000550860	TDA5240XUMA1	217	TLE4264G	SP000300936	TLE4264GHTSA1	150
TDA5250	SP000012956	TDA5250XUMA1	219	TLE4266-2G	SP000804726	TLE42662GHTMA2	152
TDA5251	SP000014554	TDA5251XUMA1	219	TLE4266-2GS V33	SP000804764	TLE42662GSV33HTMA2	151
TDA5252	SP000057332	TDA5252XUMA1	219	TLE42664G	SP001159808	TLE42664GHTMA2	150
TDA5255	SP000014555	TDA5255XUMA1	219	TLE4266G	SP000300941	TLE4266GHTMA1	150
TDA5340	SP000803722	TDA5340XUMA1	219	TLE4266GS V10	SP000317563	TLE4266GSV10HTMA1	151
TDA7100	SP000296466	TDA7100HTMA1	218	TLE4267-2G	SP000559108	TLE42672GATMA2	150
TDA7110	SP000524278	TDA7110XUMA1	218	TLE4267G	SP000357710	TLE4267GATMA1	150
TDA7110F	SP000611108	TDA7110FHTMA1	218	TLE4267GM	SP000306737	TLE4267GMXUMA1	150
TDA7116F	SP000611114	TDA7116FHTMA1	218	TLE4267S	SP000011771	TLE4267SNKSA1	150
TDA7200	SP000296473	TDA7200XUMA1	217	TLE4268G	SP000300943	TLE4268GXUMA1	150
TDA7210	SP000524274	TDA7210XUMA1	217	TLE4268GS	SP000306725	TLE4268GSXUMA1	150
TDA7210V	SP000698080	TDA7210VXUMA1	217	TLE42694-2EL	SP000948644	TLE426942ELXUMA1	150
TDA7255V	SP000698114	TDA7255VXUMA1	219	TLE42694E	SP000371264	TLE42694EXUMA1	150
TDK5100	SP000014557	TDK5100XUMA1	218	TLE42694G	SP000317802	TLE42694GXUMA1	150
TDK5100F	SP000014745	TDK5100FHTMA1	218	TLE42694GM	SP000317800	TLE42694GMXUMA1	150
TDK5101	SP000014559	TDK5101XUMA1	218	TLE4269G	SP000300944	TLE4269GXUMA1	150
TDK5101F	SP000014744	TDK5101FHTMA1	218	TLE4269GL	SP000306742	TLE4269GLXUMA1	150
TDK5110	SP000013532	TDK5110XUMA1	218	TLE4269GM	SP000306726	TLE4269GMXUMA1	150
TDK5110F	SP000056180	TDK5110FHTMA1	218	TLE4270-2D	SP000304937	TLE42702DATMA1	151
TDK5111	SP000014017	TDK5111XUMA1	218	TLE4270-2G	SP000304929	TLE42702GATMA1	151
TDK5111F	SP000056181	TDK5111FHTMA1	218	TLE4270-2S	SP000304936	TLE42702SAKSA1	151
TDK5116F	SP000056182	TDK5116FHTMA1	218	TLE4271-2	SP000306836	TLE42712AKSA1	151
TLD1121EL	SP000809166	TLD1121ELXUMA1	207	TLE4271-2G	SP000300945	TLE42712GATMA1	151
TLD1124EL	SP001092708	TLD1124ELXUMA1	207	TLE4271-2S	SP000306320	TLE42712SAKSA1	151
TLD1125EL	SP000809220	TLD1125ELXUMA1	207	TLE4274 V10	SP000011811	TLE4274V10NKSA1	151
TLD1211SJ	SP000735204	TLD1211SJFUMA1	207	TLE4274 V50	SP000269680	TLE4274V50AKSA1	150
TLD1313EL	SP000809208	TLD1313ELXUMA1	207	TLE42744D V33	SP000644994	TLE42744DV33ATMA1	151
TLD1314EL	SP001092706	TLD1314ELXUMA1	207	TLE42744D V50	SP000461576	TLE42744DV50ATMA1	152
TLD2311EL	SP000809216	TLD2311ELXUMA1	207	TLE42744E V50	SP000540120	TLE42744EV50XUMA1	152
TLD2314EL	SP001092710	TLD2314ELXUMA1	207	TLE42744G V33	SP000619810	TLE42744GV33ATMA1	151
TLD5045EJ	SP000769888	TLD5045EJXUMA1	208	TLE42744G V50	SP000463264	TLE42744GV50ATMA1	152
TLD5085EJ	SP000550912	TLD5085EJFUMA1	208	TLE42744GS V33	SP000653070	TLE42744GSV33HUMA1	151
TLD5095EL	SP000464524	TLD5095ELXUMA1	208	TLE4274D V33	SP000362357	TLE4274DV33ATMA1	150
TLD5098EL	SP000671268	TLD5098ELXUMA1	208	TLE4274D V50	SP000300149	TLE4274DV50ATMA1	150
TLD7305EK	SP000990746	TLD7305EKXUMA2	208	TLE4274G V10	SP000362359	TLE4274GV10ATMA1	151
TLD7306EK	SP000847704	TLD7306EKXUMA1	208	TLE4274G V50	SP000300975	TLE4274GV50ATMA1	150
TLD7395EK	SP000847706	TLD7395EKXUMA1	208	TLE4274G V85	SP000362362	TLE4274GV85ATMA1	151
TLD7396EK	SP000847680	TLD7396EKXUMA1	208	TLE4274GS V25	SP000395822	TLE4274GSV25HTSA1	149
TLE4205G	SP000011747	TLE4205GNTMA1	143	TLE4274GS V33	SP000396456	TLE4274GSV33HTSA1	149
TLE4206-2G	SP000303750	TLE42062GXUMA1	143	TLE42754D	SP000354517	TLE42754DATMA1	151
TLE4206-4G	SP000840122	TLE42064GXUMA1	143	TLE42754E	SP000441598	TLE42754EXUMA1	151
TLE4206G	SP000298150	TLE4206GXUMA1	143	TLE42754G	SP000354518	TLE42754GATMA1	151
TLE4207G	SP000305202	TLE4207GXUMA1	142	TLE4275D	SP000300949	TLE4275DATMA1	151
TLE4208G	SP000305242	TLE4208GXUMA1	142	TLE4275D V33	SP000262517	TLE4275DV33ATMA1	149
TLE4209A	SP000305193	TLE4209AHKLA1	143	TLE4275G	SP000297816	TLE4275GATMA1	151
TLE4209G	SP000270563	TLE4209GXUMA1	143	TLE4275G V33	SP000262524	TLE4275GV33ATMA1	149
TLE42344G	SP000719022	TLE42344GHTSA1	150	TLE4276-2DV	SP000409086	TLE42762DVATMA1	149
TLE42364G	SP000719024	TLE42364GHTMA1	150	TLE4276-2GV	SP000409088	TLE42762GVATMA1	149
TLE4241GM	SP000410436	TLE4241GMFUMA1	207	TLE42764D V50	SP000636156	TLE42764DV50ATMA1	152
TLE4242G	SP000299340	TLE4242GATMA1	207	TLE42764DV	SP000427326	TLE42764DVATMA1	151
TLE4242G	SP000977146	TLE4242GATMA2	207	TLE42764E V50	SP000707564	TLE42764EV50XUMA1	152
TLE4247EL30	SP001065752	TLE4247EL30XUMA1	153	TLE42764G V50	SP000636154	TLE42764GV50ATMA1	152
TLE4247EL40	SP000558508	TLE4247EL40XUMA1	153	TLE42764GV	SP000427324	TLE42764GVATMA1	151
TLE4250-2G	SP000255450	TLE42502GHTSA1	153	TLE4276D V50	SP000306323	TLE4276DV50ATMA1	151
TLE4251D	SP000258501	TLE4251DATMA1	153	TLE4276DV	SP000300955	TLE4276DVATMA1	149
TLE4251G	SP000306322	TLE4251GATMA1	153	TLE4276G V10	SP000300972	TLE4276GV10ATMA1	151
TLE4252D	SP000300938	TLE4252DATMA1	153	TLE4276G V50	SP000306743	TLE4276GV50ATMA1	151
TLE4252G	SP000393071	TLE4252GATMA1	153	TLE4276G V85	SP000357978	TLE4276GV85ATMA1	151
TLE4253E	SP000484230	TLE4253EXUMA1	153	TLE4276GV	SP000306744	TLE4276GVATMA1	149
TLE4253GS	SP000253854	TLE4253GSXUMA1	153	TLE4276SV	SP000357986	TLE4276SVAKSA1	149
TLE4254EJ A	SP000358630	TLE4254EJAXUMA1	153	TLE4278G	SP000305157	TLE4278GXUMA1	150
TLE4254EJ S	SP000358633	TLE4254EJJSXUMA1	153	TLE42794E	SP000371265	TLE42794EXUMA1	150
TLE4254GA	SP000297354	TLE4254GAXUMA1	153	TLE42794G	SP000358646	TLE42794GXUMA1	150
TLE4254GS	SP000297353	TLE4254GSXUMA1	153	TLE42794GM	SP000358648	TLE42794GMXUMA1	150
TLE4262G	SP000306732	TLE4262GXUMA1	150	TLE4279G	SP000306727	TLE4279GXUMA1	150
TLE4262GM	SP000306723	TLE4262GMXUMA1	150	TLE4279GM	SP000306728	TLE4279GMXUMA1	150
TLE4263-2ES	SP000366102	TLE42632ESXUMA1	150	TLE4284D V15	SP000362366	TLE4284DV15ATMA1	149
TLE4263G	SP000300935	TLE4263GXUMA1	150	TLE4284D V18	SP000300973	TLE4284DV18ATMA1	149

Summary of Types

Type	Ordering Code	Orderable Part Number	Page	Type	Ordering Code	Orderable Part Number	Page
TLE4284D V26	SP000362369	TLE4284DV26ATMA1	149	TLE4954C E4	SP001050144	TLE4954CE4CAMA1	212
TLE4284D V33	SP000362370	TLE4284DV33ATMA1	149	TLE4957C E6247	SP000857052	TLE4957CE6247HAMA1	212
TLE4284D V50	SP000362371	TLE4284DV50ATMA1	151	TLE4957C E6747	SP000649296	TLE4957CE6747HAMA1	212
TLE4284DV	SP000356994	TLE4284DVATMA1	149	TLE4957C-2 E6247	SP000849660	TLE4957C2E6247HAMA1	212
TLE4285G	SP000011850	TLE4285GHTSA1	149	TLE4957C-2 E6747	SP000745374	TLE4957C2E6747HAMA1	212
TLE4286G	SP000011851	TLE4286GNTSA1	149	TLE4961-1K	SP000848008	TLE49611KXTSA1	214
TLE4286G	SP000950138	TLE4286GHTSA1	149	TLE4961-1L	SP000848038	TLE49611LHALA1	214
TLE4287G	SP000362372	TLE4287GXUMA1	150	TLE4961-1M	SP000923322	TLE49611MXTSA1	214
TLE4290D	SP000360722	TLE4290DATMA1	151	TLE4961-2M	SP000997954	TLE49612MXTSA1	214
TLE4290G	SP000362375	TLE4290GATMA1	151	TLE4961-3K	SP000848004	TLE49613KXTSA1	214
TLE4291E	SP000754260	TLE4291EXUMA1	151	TLE4961-3L	SP000848034	TLE49613LHALA1	214
TLE4294G V50	SP000361641	TLE4294GV50HTSA1	149	TLE4961-3M	SP000909960	TLE49613MXTSA1	214
TLE4295G V26	SP000012503	TLE4295GV26NTSA1	149	TLE4961-4M	SP001042410	TLE49614MXTSA1	214
TLE4295G V26	SP000294730	TLE4295GV26HTMA1	149	TLE4961-5K	SP000910192	TLE49615KXTSA1	214
TLE4295G V26	SP000950324	TLE4295GV26HTSA1	149	TLE4961-5M	SP001013854	TLE49615MXTSA1	214
TLE4295G V30	SP000012502	TLE4295GV30NTSA1	149	TLE4964-1K	SP000848000	TLE49641KXTSA1	215
TLE4295G V30	SP000950306	TLE4295GV30HTSA1	149	TLE4964-1M	SP000923326	TLE49641MXTSA1	215
TLE4295G V33	SP000950292	TLE4295GV33HTSA1	149	TLE4964-2K	SP000847996	TLE49642KXTSA1	215
TLE4295G V50	SP000950272	TLE4295GV50HTSA1	150	TLE4964-2M	SP000923330	TLE49642MXTSA1	215
TLE4296-2G V33	SP000014332	TLE42962GV33HTSA1	149	TLE4964-3K	SP000910188	TLE49643KXTSA1	215
TLE4296-2G V50	SP000014333	TLE42962GV50HTSA1	150	TLE4964-3M	SP001013860	TLE49643MXTSA1	215
TLE4296G V30	SP000950200	TLE4296GV30HTSA1	149	TLE4964-4M	SP001042414	TLE49644MXTSA1	215
TLE4296G V33	SP000950236	TLE4296GV33HTSA1	149	TLE4964-5M	SP000997958	TLE49645MXTSA1	215
TLE4296G V50	SP000950240	TLE4296GV50HTSA1	150	TLE4964-6M	SP001042418	TLE49646MXTSA1	215
TLE42994E	SP000371266	TLE42994EXUMA1	150	TLE4966-2K	SP000788888	TLE49662KXTSA1	214
TLE42994E V33	SP000678668	TLE42994EV33XUMA1	149	TLE4966-3K	SP000835522	TLE49663KXTSA1	214
TLE42994G	SP000253851	TLE42994GXUMA1	150	TLE4966K	SP000392740	TLE4966KXTSA1	214
TLE42994GM	SP000253853	TLE42994GMXUMA1	150	TLE4966L	SP000014135	TLE4966LHALA1	214
TLE42994GM V33	SP000678670	TLE42994GMV33XUMA1	149	TLE4968-1K	SP000847992	TLE49681KXTSA1	215
TLE4299G V33	SP000306730	TLE4299GV33XUMA1	151	TLE4968-1L	SP000848030	TLE49681LHALA1	215
TLE4299GM V33	SP000300974	TLE4299GMV33XUMA1	151	TLE4968-1M	SP000923334	TLE49681MXTSA1	214
TLE4305G	SP000362379	TLE4305GXUMA1	155	TLE4976-1K	SP000475038	TLE49761KXTSA1	215
TLE4309G	1k SP000299342	TDA4309GATMA1	205	TLE4976-2K	SP000505028	TLE49762KXTSA1	215
TLE4470G	SP000306745	TLE4470GXUMA1	153	TLE4976L	SP000012951	TLE4976LHALA1	215
TLE4470GS	SP000306746	TLE4470GSXUMA1	153	TLE4983C-HT E6547	SP000614788	TLE4983CHTE6547HAMA1	212
TLE4471G	SP000305246	TLE4471GAUMA1	153	TLE4983C-HT E6747	SP000374275	TLE4983CHTE6747HAMA1	212
TLE4473G V55-2	SP000295344	TLE4473GV552AUMA1	153	TLE4984C-HT E6747	SP000374268	TLE4984CHTE6747HAMA1	212
TLE4473G V53	SP000557254	TLE4473GV53AUMA1	153	TLE4997E2	SP000235288	TLE4997E2XALA1	216
TLE4675D	SP000315008	TLE4675DATMA1	151	TLE4998C3	SP000476468	TLE4998C3XALA1	216
TLE4675G	SP000315009	TLE4675GATMA1	151	TLE4998C3C	SP000481482	TLE4998C3CHAMA1	216
TLE4678EL	SP000677644	TLE4678ELXUMA1	150	TLE4998C4	SP000440972	TLE4998C4HALA1	216
TLE4678GM	SP000358635	TLE4678GMXUMA1	150	TLE4998P3	SP000412104	TLE4998P3XALA1	216
TLE4699E	SP000358639	TLE4699EXUMA1	150	TLE4998P3C	SP000481486	TLE4998P3CHAMA1	216
TLE4699GM	SP000479486	TLE4699GMXUMA1	150	TLE4998P3CE1200	SP000597466	TLE4998P3CE1200HAMA1	216
TLE4726G	SP000306733	TLE4726GXUMA1	143	TLE4998P4	SP000412106	TLE4998P4HALA1	216
TLE4729G	SP000398988	TLE4729GXUMA1	143	TLE4998S3	SP000412108	TLE4998S3XALA1	216
TLE4906-2K	SP000868840	TLE49062KHTSA1	215	TLE4998S3C	SP000481484	TLE4998S3CHAMA1	216
TLE4906-3K	SP000868844	TLE49063KHTSA1	215	TLE4998S4	SP000412110	TLE4998S4HALA1	216
TLE4906K	SP000475028	TLE4906KHTSA1	215	TLE5009 E1000	SP000912764	TLE5009E1000FUMA1	216
TLE4906L	SP000012949	TLE4906LHALA1	215	TLE5009 E1010	SP000912774	TLE5009E1010FUMA1	216
TLE4913	SP000013490	TLE4913HTSA1	214	TLE5009 E2000	SP000912760	TLE5009E2000FUMA1	216
TLE4916-1K	SP000649954	TLE49161KHTSA1	214	TLE5009 E2010	SP000912770	TLE5009E2010FUMA1	216
TLE4917	SP000013477	TLE4917HTSA1	214	TLE5011	SP000857850	TLE5011FUMA1	216
TLE4921-5U	SP000013593	TLE49215UHALA1	212	TLE5012B E1000	SP000905682	TLE5012BE1000FUMA1	216
TLE4924C-1 E6547	SP000718170	TLE4924C1E6547HAMA1	212	TLE5012B E3005	SP000905686	TLE5012BE3005FUMA1	216
TLE4924C-2 E6547	SP000718250	TLE4924C2E6547HAMA1	212	TLE5012B E5000	SP000905690	TLE5012BE5000FUMA1	216
TLE4924CB-2 E6547	SP001056512	TLE4924CB2E6547XTMA1	213	TLE5012B E9000	SP000905694	TLE5012BE9000FUMA1	216
TLE4926C-HT E6547	SP000718258	TLE4926CHTE6547HAMA1	212	TLE5025C E6747	SP000317777	TLE5025CE6747HAMA1	213
TLE4927C E6547	SP000718266	TLE4927CE6547HAMA1	212	TLE5027C-1 E6747	SP000481606	TLE5027C1E6747HAMA1	212
TLE4928	SP000700818	TLE4928HALA1	212	TLE5027C-N E6747	SP000317780	TLE5027CNE6747HAMA1	212
TLE4928C E6547	SP000718274	TLE4928CE6547HAMA1	212	TLE5041 PLUSCAAMA1	SP001029256	TLE5041PLUSCAAMA1	213
TLE4941 PLUSC	SP000478508	TLE4941PLUSCAAMA1	212	TLE5205-2	SP000377306	TLE52052AKSA1	142
TLE4941C	SP000710666	TLE4941CBAMA1	212	TLE5205-2G	SP000377307	TLE52052GAUMA1	142
TLE4942-1C	SP000710676	TLE49421CBAMA1	212	TLE5205-2S	SP000377308	TLE52052SAKSA1	142
TLE4946-1L	SP000015003	TLE49461LHALA1	214	TLE5206-2	SP000377309	TLE52062AKSA1	142
TLE4946-2K	SP000472424	TLE49462KHTSA1	214	TLE5206-2G	SP000377310	TLE52062GAUMA1	142
TLE4946-2L	SP000398352	TLE49462LHALA1	214	TLE5206-2S	SP000377311	TLE52062SAKSA1	142
TLE4946K	SP000392737	TLE4946KHTSA1	214	TLE6208-3G	SP000305935	TLE62083GXUMA1	142
TLE4953	SP000278512	TLE4953HALA1	212	TLE6208-6G	SP000305936	TLE62086GXUMA1	142
TLE4953C	SP000710696	TLE4953CBAMA1	212	TLE6209R	SP000732082	TLE6209RAUMA2	142
TLE4954C	SP000848260	TLE4954CCAMA1	212	TLE6212	SP000451438	TLE6212XUMA1	167
TLE4954C E1	SP000848264	TLE4954CE1CAMA1	212	TLE6217G	SP000435876	TLE6217GAUMA1	132
TLE4954C E2	SP000848268	TLE4954CE2CAMA1	212	TLE6220GP	SP000691118	TLE6220GPAUMA2	132



Summary of Types

Type	Ordering Code	Orderable Part Number	Page	Type	Ordering Code	Orderable Part Number	Page
TLE6228GP	SP000801282	TLE6228GPAUMA2	132	TLE7269G	SP000104277	TLE7269GXUMA1	165
TLE6230GP	SP000691114	TLE6230GPAUMA1	132	TLE7270-2D	SP000457356	TLE72702DATMA1	152
TLE6232GP	SP000691110	TLE6232GPAUMA2	132	TLE7270-2E	SP000457382	TLE72702EXUMA1	152
TLE6240GP	SP000627670	TLE6240GPAUMA1	132	TLE7270-2G	SP000457384	TLE72702GATMA1	152
TLE6244X	SP000304416	TLE6244XAUMA1	132	TLE7272-2D	SP000468052	TLE72722DATMA1	152
TLE6250G	SP000316311	TLE6250GXUMA1	164	TLE7272-2E	SP000457386	TLE72722EXUMA1	152
TLE6250G V33	SP000382100	TLE6250GV33XUMA1	164	TLE7273-2E V50	SP000369460	TLE72732EV50XUMA1	152
TLE6251-2G	SP000407102	TLE62512GXUMA1	164	TLE7273-2G V26	SP000369461	TLE72732GV26XUMA1	151
TLE6251-3G	SP000823130	TLE62513GXUMA1	164	TLE7273-2G V33	SP000369462	TLE72732GV33XUMA1	152
TLE6251D	SP000836844	TLE6251DXUMA1	164	TLE7273-2G V50	SP000369463	TLE72732GV50XUMA1	152
TLE6251DS	SP000294173	TLE6251DSXUMA1	164	TLE7274-2D	SP000468054	TLE72742DATMA1	152
TLE6251G	SP000082094	TLE6251GNTMA1	164	TLE7274-2E	SP000457388	TLE72742EXUMA1	152
TLE6254-3G	SP000316313	TLE62543GXUMA1	165	TLE7274-2G	SP000468056	TLE72742GATMA1	152
TLE6254-3G	SP000692476	TLE62543GXUMA2	165	TLE7274D	SP000055849	TLE7274DNTMA1	152
TLE6258-2G	SP000297762	TLE62582GXUMA1	165	TLE7276-2D	SP000457394	TLE72762DATMA1	152
TLE6259-2G	SP000316315	TLE62592GXUMA1	165	TLE7276-2E	SP000457396	TLE72762EXUMA1	152
TLE6263-3G	SP000314997	TLE62633GXUMA1	163	TLE7278-2E V50	SP000369464	TLE72782EV50XUMA1	152
TLE6280GP	SP000712092	TLE6280GPAUMA2	141	TLE7278-2G V26	SP000369465	TLE72782GV26XUMA1	152
TLE6288R	SP000691124	TLE6288RAUMA2	132	TLE7278-2G V33	SP000369466	TLE72782GV33XUMA1	152
TLE6365G	SP000317609	TLE6365GXUMA1	154	TLE7278-2G V50	SP000369467	TLE72782GV50XUMA1	152
TLE6368G2	SP000656590	TLE6368G2AUMA1	154	TLE7279-2E V50	SP000369468	TLE72792EV50XUMA1	152
TLE6389-2G V50	SP000317610	TLE63892GV50XUMA1	154	TLE7279-2G V26	SP000369469	TLE72792GV26XUMA1	152
TLE6389-2GV	SP000317611	TLE63892GVXUMA1	154	TLE7279-2G V33	SP000369470	TLE72792GV33XUMA1	152
TLE6389-3G V50	SP000317612	TLE63893GV50XUMA1	154	TLE7279-2G V50	SP000369471	TLE72792GV50XUMA1	152
TLE6710Q	SP000013708	TLE6710QNUMA1	167	TLE7368-2E	SP000768086	TLE73682EXUMA1	154
TLE6711G	SP000317613	TLE6711GXUMA1	154	TLE7368-3E	SP000794336	TLE73683EXUMA1	154
TLE6711GL	SP000317614	TLE6711GLXUMA1	154	TLE7368E	SP000307244	TLE7368EXUMA1	154
TLE6712G	SP000013710	TLE6712GNTMA1	167	TLE7469GV52	SP000316703	TLE7469GV52AUMA1	153
TLE6714G	SP000013709	TLE6714GNTMA1	167	TLE7469GV53	SP000316704	TLE7469GV53AUMA1	153
TLE7181EM	SP000628808	TLE7181EMXUMA1	141	TLE7729T	SP000312977	TLE7729TXUMA1	167
TLE7182EM	SP000628810	TLE7182EMXUMA1	141	TLE7810G	SP000313890	TLE7810GXUMA1	166
TLE7183F	SP000317385	TLE7183FXUMA2	141	TLE7824G	SP000264461	TLE7824GXUMA1	166
TLE7183F	SP000317391	TLE7183FXUMA3	141	TLE7826G	SP000264462	TLE7826GXUMA1	166
TLE7183F	SP000065802	TLE7183FXUMA4	141	TLE8080-2EM	SP001052526	TLE80802EMXUMA1	167
TLE7183F	SP000317389	TLE7183FXUMA5	141	TLE8080EM	SP000823824	TLE8080EMXUMA1	167
TLE7183QU	SP000868988	TLE7183QUXUMA1	141	TLE8088EM	SP000685716	TLE8088EMXUMA1	167
TLE7183QU	SP000935748	TLE7183QUXUMA2	141	TLE8102SG	SP000377621	TLE8102SGAUMA1	132
TLE7183QU	SP000959816	TLE7183QUXUMA3	141	TLE8104E	SP000766202	TLE8104EXUMA2	132
TLE7183QU	SP000960560	TLE7183QUXUMA4	141	TLE8108EM	SP000766920	TLE8108EMXUMA1	132
TLE7183QU	SP000960572	TLE7183QUXUMA5	141	TLE8110EE	SP000263906	TLE8110EEEXUMA1	132
TLE7184F	SP000362096	TLE7184FXUMA1	141	TLE8110EE	SP001113476	TLE8110EEEXUMA2	132
TLE7184F3V	SP000864920	TLE7184F3VXUMA1	141	TLE8201R	SP000107174	TLE8201RAUMA1	142
TLE7185-1E	SP000851146	TLE71851EXUMA1	141	TLE8203E	SP000310729	TLE8203EXUMA1	142
TLE7186F	SP000470258	TLE7186FXUMA1	141	TLE8209-2E	SP000875410	TLE82092EXUMA2	142
TLE7189F	SP000248208	TLE7189FXUMA1	141	TLE8209-2SA	SP000541758	TLE82092SAUMA1	142
TLE7189QK	SP000528310	TLE7189QKXUMA1	141	TLE8209-4SA	SP000920440	TLE82094SAUMA1	142
TLE7209-2R	SP000723090	TLE72092RAUMA4	142	TLE8242-2L	SP000839948	TLE82422LXUMA2	132
TLE7230G	SP000311687	TLE7230GXUMA1	133	TLE82452SA	SP000934076	TLE82452SAUMA1	132
TLE7230R	SP000311685	TLE7230RAUMA1	133	TLE82452SA	SP001042680	TLE82452SAALLA1	132
TLE7231G	SP000297859	TLE7231GXUMA1	133	TLE82453SA	SP000666950	TLE82453SAUMA1	132
TLE7233G	SP000297860	TLE7233GXUMA1	133	TLE82453SA	SP001042682	TLE82453SAALLA1	132
TLE7234EM	SP000670334	TLE7234EMXUMA1	133	TLE8250G	SP000551642	TLE8250GXUMA1	164
TLE7234SE	SP000670264	TLE7234SEXUMA1	133	TLE8250GVIO	SP000691818	TLE8250GVIOXUMA1	164
TLE7235EM	SP000670336	TLE7235EMXUMA1	133	TLE8261-2E	SP000454466	TLE82612EXUMA1	163
TLE7235SE	SP000670266	TLE7235SEXUMA1	133	TLE8261-2E	SP001056114	TLE82612EXUMA2	163
TLE7236EM	SP000670338	TLE7236EMXUMA1	133	TLE8261E	SP000317792	TLE8261EXUMA1	163
TLE7236SE	SP000670268	TLE7236SEXUMA1	133	TLE8261E	SP001056112	TLE8261EXUMA2	163
TLE7237SL	SP000670304	TLE7237SLXUMA1	133	TLE8262-2E	SP000454468	TLE82622EXUMA1	163
TLE7238SL	SP000670306	TLE7238SLXUMA1	133	TLE8262-2E	SP001056116	TLE82622EXUMA2	163
TLE7239SL	SP000670308	TLE7239SLXUMA1	133	TLE8262E	SP000317793	TLE8262EXUMA1	163
TLE7240SL	SP000897440	TLE7240SLXUMA1	133	TLE8262E	SP001056118	TLE8262EXUMA2	163
TLE7241E	SP000485116	TLE7241EXUMA1	132	TLE8263-2E	SP000379937	TLE82632EXUMA1	164
TLE7242-2G	SP000318374	TLE72422GXUMA1	132	TLE8263-2E	SP001056126	TLE82632EXUMA2	164
TLE7243SL	SP000897478	TLE7243SLXUMA2	133	TLE8263E	SP000317795	TLE8263EXUMA1	163
TLE7244SL	SP000897480	TLE7244SLXUMA2	133	TLE8263E	SP001056124	TLE8263EXUMA2	163
TLE7250G	SP000735846	TLE7250GXUMA1	165	TLE8264-2E	SP000379938	TLE82642EXUMA1	164
TLE7250GVIO	SP000735852	TLE7250GVIOXUMA1	165	TLE8264-2E	SP001056122	TLE82642EXUMA2	164
TLE7257SJ	SP000966212	TLE7257SJXUMA1	165	TLE8264E	SP000317796	TLE8264EXUMA1	164
TLE7258SJ	SP000911018	TLE7258SJXUMA1	165	TLE8264E	SP001056120	TLE8264EXUMA2	164
TLE7259-2GE	SP000299877	TLE72592GEXUMA1	165	TLE8366E V33	SP000549726	TLE8366EV33XUMA1	154
TLE7259-2GU	SP000304077	TLE72592GUXUMA1	165	TLE8366E V50	SP000550310	TLE8366EV50XUMA1	154
TLE7259-3GE	SP001102542	TLE72593GEXUMA1	165	TLE8366EV	SP000297388	TLE8366EVXUMA1	154
TLE7263E	SP000075929	TLE7263EXUMA1	163	TLE8386-2EL	SP000685670	TLE83862ELXUMA1	154

1

Microcontrollers

2

Power Semiconductors

3

RF & Protection Devices

4

General Purpose Diodes & Transistors

5

LED Driver & Lighting ICs

6

Sensors & Wireless Control

7

Chip Card & Security ICs

8

Summary of Types

Ask Infineon. Get connected with the answers.

Infineon offers its toll-free 0800/4001 service hotline as one central number, available 24/7 in English, Mandarin and German.

Our global connection service goes way beyond standard switchboard services by offering qualified support on the phone. Call us!







- Germany 0800 951 951 951 (German/English)
- China, mainland 4001 200 951 (Mandarin/English)
- India 000 800 4402 951 (English)
- USA 1-866 951 9519 (English/German)
- Other countries 00* 800 951 951 951 (English/German)
- Direct access +49 89 234-0 (interconnection fee, German/English)

* Please note: Some countries may require you to dial a code other than "00" to access this international number, please visit www.infineon.com/service for your country!

Where to Buy

Infineon Distribution Partners and Sales Offices:
www.infineon.com/WhereToBuy

Stay connected

-  www.facebook.com/infineon
-  www.google.com/+infineon
-  www.twitter.com/infineon
-  www.infineon.com/linkedin
-  www.infineon.com/xing
-  www.youtube.com/infineon

Mobile Product Catalog

Mobile app for iOS and Android.



Infineon Technologies – innovative semiconductor solutions for energy efficiency, mobility and security.

Published by
Infineon Technologies AG
85579 Neubiberg, Germany

© 2014 Infineon Technologies AG.
All Rights Reserved.

Visit us:
www.infineon.com

Order Number: B192-H6780-G17-X-7600
Date: 03 / 2014

Attention please!

The information given in this document shall in no event be regarded as a guarantee of conditions or characteristics ("Beschaffenheitsgarantie"). With respect to any examples or hints given herein, any typical values stated herein and/or any information regarding the application of the device, Infineon Technologies hereby disclaims any and all warranties and liabilities of any kind, including without limitation warranties of non-infringement of intellectual property rights of any third party.

Information

For further information on technology, delivery terms and conditions and prices please contact your nearest Infineon Technologies Office (www.infineon.com).

Warnings

Due to technical requirements components may contain dangerous substances. For information on the types in question please contact your nearest Infineon Technologies Office. Infineon Technologies Components may only be used in life-support devices or systems with the express written approval of Infineon Technologies, if a failure of such components can reasonably be expected to cause the failure of that life-support device or system, or to affect the safety or effectiveness of that device or system. Life support devices or systems are intended to be implanted in the human body, or to support and/or maintain and sustain and/or protect human life. If they fail, it is reasonable to assume that the health of the user or other persons may be endangered.

Cross Reference List Fast IGBT & DuoPack

Company	Product Name	n-channel/ p-channel	Vce [V]	Package	Vgsth [V]	typ. VCE sat [V] @25°C	Ic@x°C [A]	Qgtotal @Vds @Id @Vgs	special features	Closest Siemens Equivalent
Fairchild (*)	SGR2N60UFD		600	DPAK		2.0	1.2A@100°C		anti-parallel diode	SKB02N60
Fairchild (*)	SGP10N60RUF		600	TO220		2.2	10A@100°C			SGP10N60
Fairchild (*)	SGP10N60RUFD		600	TO220		2.2	10A@100°C		anti-parallel diode	SKP10N60
Fairchild (*)	SGH10N60RUFD		600	TO3P		2.2	10A@100°C		anti-parallel diode	SKP10N60
Fairchild (*)	SGW10N60RUFD		600	TO220SMD		2.2	10A@100°C		anti-parallel diode	SKB10N60
Fairchild (*)	SGL10N60RUFD		600	TO-264		2.0	10A@100°C		anti-parallel diode	SKW10N60
Fairchild (*)	SGS10N60RUFD		600	TO-220FP		2.0	10A@100°C		anti-parallel diode	no device
Fairchild (*)	SGP23N60UF		600	TO220		2.0	12A@100°C			SGP15N60
Fairchild (*)	SGW23N60UFD		600	TO220		2.0	12A@100°C		anti-parallel diode	SKP15N60
Fairchild (*)	SGH23N60UFD		600	TO3P		2.0	12A@100°C		anti-parallel diode	SKP15N60
Fairchild (*)	SGW23N60UF		600	TO220SMD		2.0	12A@100°C			SGB15N60
Fairchild (*)	SGH23N60UF		600	TO3P		2.0	12A@100°C			SGW15N60
Fairchild (*)	SGP23N60UFD		600	TO-220		2.0	12A@100°C		anti-parallel diode	SKP15N60
Fairchild (*)	SGS23N60UF		600	TO-220FP		2.0	12A@100°C			no device
Fairchild (*)	SGP15N60RUF		600	TO220		2.2	15A@100°C			SGP15N60
Fairchild (*)	SGH23N60UFD		600	TO3P		2.0	15A@100°C		anti-parallel diode	SKP15N60
Fairchild (*)	SGH15N60RUFD		600	TO3P		2.2	15A@100°C		anti-parallel diode	SKP15N60
Fairchild (*)	SGL15N60RUFD		600	TO-264		2.0	15A@100°C		anti-parallel diode	SKW15N60
Fairchild (*)	SGP20N60RUF		600	TO220		2.2	20A@100°C			SGP20N60
Fairchild (*)	SGH20N60RUFD		600	TO3P		2.2	20A@100°C		anti-parallel diode	SKW20N60
Fairchild (*)	SGH40N60UFD		600	TO3P		2.0	20A@100°C		anti-parallel diode	SKW20N60
Fairchild (*)	SHG40N60UF		600	TO3P		2.0	20A@100°C			SGP20N60
Fairchild (*)	SGP20N60RUF		600	TO220		2.2	20A@100°C			SGP20N60
Fairchild (*)	SGP40N60UF		600	TO220		2.0	20A@100°C			SGP20N60
Fairchild (*)	SGW20N60RUF		600	TO220SMD		2.2	20A@100°C			SGB20N60
Fairchild (*)	SGL20N60RUFD		600	TO-264		2.0	20A@100°C		anti-parallel diode	SKW20N60
Fairchild (*)	SGH30N60RUFD		600	TO3P		2.2	30A@100°C			SKW30N60
Fairchild (*)	SGH30N60UFD		600	TO3P		2.0	30A@100°C		anti-parallel diode	SKW30N60
Fairchild (*)	SGH30N60RUFD		600	TO3P		2.2	30A@100°C		anti-parallel diode	SKW30N60
Fairchild (*)	SGL30N60RUFD		600	TO-264		2.0	30A@100°C		anti-parallel diode	SKW30N60
Fairchild (*)	SGP6N60UF		600	TO220		2.0	3A@100°C			SGP04N60
Fairchild (*)	SGP6N60UFD		600	TO220		2.0	3A@100°C		anti-parallel diode	SKP04N60
Fairchild (*)	SGW6N60UF		600	TO220SMD		2.0	3A@100°C			SGB04N60
Fairchild (*)	SGW6N60UFD		600	TO220SMD		2.0	3A@100°C		anti-parallel diode	SKB04N60
Fairchild (*)	SGU6N60UF		600	IPAK		2.0	3A@100°C			SGU04N60
Fairchild (*)	SGH80N60UF		600	TO3P		2.0	40A@100°C			no device
Fairchild (*)	SGH80N60RUFD		600	TO3P		2.2	40A@100°C		anti-parallel diode	no device
Fairchild (*)	SGH80N60UFD		600	TO3P		2.0	40A@100°C			no device
Fairchild (*)	SGL50N60RUFD		600	TO-264		2.0	50A@100°C		anti-parallel diode	no device

Cross Reference List Fast IGBT & DuoPack

Company	Product Name	n-channel/ p-channel	Vce [V]	Package	Vgsth [V]	typ. VCE sat [V] @25°C	Ic@x°C [A]	Qgtotal @Vds @Id @Vgs	special features	Closest Siemens Equivalent
Fairchild (*)	SGP5N60RUF		600	TO220		2.2	5A@100°C			SGP06N60
Fairchild (*)	SGP5N60RUFd		600	TO220		2.2	5A@100°C		anti-parallel diode	SKP06N60
Fairchild (*)	SGW5N60RUFd		600	TO220SMD		2.2	5A@100°C		anti-parallel diode	SKB06N60
Fairchild (*)	SGU5N60RUF		600	IPAK		2.2	5A@100°C			SGU06N60
Fairchild (*)	SGW5N60RUF		600	TO220SMD		2.2	5A@100°C			SGB06N60
Fairchild (*)	SGL5N60RUFd		600	TO-264		2.0	5A@100°C		anti-parallel diode	SKP06N60
Fairchild (*)	SGR5N60RUF		600	DPAK		2.0	5A@100°C			SGD06N60
Fairchild (*)	SGP13N60UF		600	TO220		2.0	7A@100°C			SGP06N60
Fairchild (*)	SGP13N60UFd		600	TO220		2.0	7A@100°C		anti-parallel diode	SKP10N60
Fairchild (*)	SGW13N60UFd		600	TO220SMD		2.0	7A@100°C		anti-parallel diode	SGB10N60
Fairchild (*)	SGW13N60UF		600	TO220SMD		2.0	7A@100°C			SKB10N60
Fairchild (*)	SGH13N60UFd		600	TO3P		2.0	7A@100°C		anti-parallel diode	SKP10N60
(*) previous Samsung Power Products										
ST	STGP10NB60S		600	TO220		1.35	10A@100°C			SGP10N60
ST	STGP20NB60H		600	TO220		2.3	20A@100°C			SGP20N60
ST	STGW20NB60H		600	TO247		2.3	20A@100°C			SGW20N60
ST	STGW20NB60HD		600	TO247		2.3	20A@100°C		anti-parallel diode	SKW20N60
ST	STGD7NB60H		600	DPAK		2.3	7A@100°C			SGD06N60
ST	STGP7NB60H		600	TO220		2.3	7A@100°C			SGP06N60
ST	STGP7NB60HD		600	TO220		2.3	7A@100°C		anti-parallel diode	SKP06N60
ST	STGB7NB60HD		600	D ² PAK		2.3	7A@100°C		anti-parallel diode	SKB06N60
ST	STGP7NB60HDFP		600	TO220FP		2.3	7A@100°C		anti-parallel diode	SKA06N60
Intersil (*)	HGTP3N60B3S		600	TO220		1.8	3A@110°C		Quantum Speed	SGP04N60
Intersil (*)	HGT1S3N60B3		600	TO262		1.8	3A@110°C		Quantum Speed	no device
Intersil (*)	HGTD3N60B3		600	IPAK		1.8	3A@110°C		Quantum Speed	SGU04N60
Intersil (*)	HGTP3N60B3S		600	DPAK		1.8	3A@110°C		Quantum Speed	SGD04N60
Intersil (*)	HGT1S3N60B3S		600	TO-220SMD		1.8	3A@110°C		Quantum Speed	SGB04N60
Intersil (*)	HGTP7N60B3		600	TO220		1.8	7A@110°C		Quantum Speed	SGP06N60 / SGP10N60
Intersil (*)	HGT1S7N60B3		600	TO262		1.8	7A@110°C		Quantum Speed	no device
Intersil (*)	HGTD7N60B3		600	IPAK		1.8	7A@110°C		Quantum Speed	SGU06N60 / SGP10N60
Intersil (*)	HGTD7N60B3S		600	DPAK		1.8	7A@110°C		Quantum Speed	SGD06N60 / SGB10N60
Intersil (*)	HGT1S7N60B3S		600	TO-220SMD		1.8	7A@110°C		Quantum Speed	SGB06N60 / SGB10N60
Intersil (*)	HGTP12N60B3		600	TO220		1.6	12A@110°C		Quantum Speed	SGP15N60
Intersil (*)	HGT1S12N60B3		600	TO262		1.6	12A@110°C		Quantum Speed	no device
Intersil (*)	HGT1S12N60B3S		600	TO220SMD		1.6	12A@110°C		Quantum Speed	SGB15N60
Intersil (*)	HGTG20N60B3		600	TO247		1.8	20A@110°C		Quantum Speed	SGW20N60
Intersil (*)	HGTP20N60B3		600	TO220			20A@110°C		Quantum Speed	SGP20N60
Intersil (*)	HGTG30N60B3		600	TO247		1.45	30A@110°C		Quantum Speed	SGW30N60
Intersil (*)	HGTG40N60B3		600	TO247		1.4	40A@110°C		Quantum Speed	no device

Cross Reference List Fast IGBT & DuoPack

Company	Product Name	n-channel/ p-channel	Vce [V]	Package	Vgsth [V]	typ. VCE sat [V] @25°C	Ic@x°C [A]	Qgtotal @Vds @Id @Vgs	special features	Closest Siemens Equivalent
Intersil (*)	HGTP3N60C3D		600	TO220		1.65	3A@110°C		anti-parallel diode	SKP04N60
Intersil (*)	HGT1S3N60C3D		600	TO262		1.65	3A@110°C		anti-parallel diode	no device
Intersil (*)	HGT1S3N60C3DS		600	TO220SMD		1.65	3A@110°C		anti-parallel diode	SKB04N60
Intersil (*)	HGTP7N60C3D		600	TO220		1.6	7A@110°C		anti-parallel diode	SKP06N60 / SKP10N60
Intersil (*)	HGT1S7N60C3D		600	TO262		1.6	7A@110°C		anti-parallel diode	no device
Intersil (*)	HGT1S7N60C3DS		600	TO220SMD		1.6	7A@110°C		anti-parallel diode	SKB06N60 / SKB10N60
Intersil (*)	HGTP12N60B3D		600	TO220		1.65	12A@110°C		anti-parallel diode	SKP15N60
Intersil (*)	HGT1S12N60C3D		600	TO262		1.65	12A@110°C		anti-parallel diode	no device
Intersil (*)	HGT1S12N60C3DS		600	TO220SMD		1.65	12A@110°C		anti-parallel diode	SKB15N60
Intersil (*)	HGTG20N60B3DR		600	TO247		1.8	20A@110°C		anti-parallel diode	SKW20N60
Intersil (*)	HGTG27N60B3DR		600	TO247		1.8	27A@110°C		anti-parallel diode	SKW30N60
Intersil (*)	HGTG30N60B3D		600	TO247		1.5	30A@110°C		anti-parallel diode	SKW30N60
Intersil (*)	HGTD3N60C3S		600	DPAK		1.65	3A@110°C		ultra-fast	SGD02N60,SGD04N60
Intersil (*)	HGTG20N60C3		600	TO247		1.4	20A@110°C		ultra-fast	SGW20N60
Intersil (*)	HGTP20N60C3		600	TO220		1.4	20A@110°C		ultra-fast	SGP20N60
Intersil (*)	HGT1S20N60C3		600	TO262		1.4	20A@110°C		ultra-fast	no device
Intersil (*)	HGT1S20N60C3S		600	TO220SMD		1.4	20A@110°C		ultra-fast	SGB20N60
Intersil (*)	HGTG20N60C3D		600	TO247		1.4	20A@110°C		anti-parallel diode	SKW20N60
Intersil (*)	HGTD7N60C3		600	IPAK		1.6	7A@110°C		ultra-fast	SGU06N60
Intersil (*)	HGTD7N60C3S		600	DPAK		1.6	7A@110°C		ultra-fast	SGD06N60
Intersil (*)	HGTP7N60C3		600	TO220		1.6	7A@110°C		ultra-fast	SGP06N60
Intersil (*)	HGTP12N60C3		600	TO220		1.65	12A@110°C		ultra-fast	SGP15N60
Intersil (*)	HGT1S12N60C3		600	TO262		1.65	12A@110°C		ultra-fast	no device
Intersil (*)	HGT1S12N60C3S		600	TO220SMD		1.65	12A@110°C		ultra-fast	SGB15N60
Intersil (*)	HGTG12N60C3D		600	TO247		1.65	12A@110°C		anti-parallel diode	SKW15N60
Intersil (*)	HGTP12N60C3D		600	TO220		1.65	12A@110°C		anti-parallel diode	SKP15N60
Intersil (*)	HGT1S12N60C3D		600	TO262		1.65	12A@110°C		anti-parallel diode	no device
Intersil (*)	HGT1S12N60C3DS		600	TO220SMD		1.65	12A@110°C		anti-parallel diode	SKB15N60
Intersil (*)	HGTG30N60C3		600	TO247		1.5	30A@110°C		ultra-fast	SGW30N60
Intersil (*)	HGTG30N60C3D		600	TO247		1.5	30A@110°C		anti-parallel diode	SKW30N60
Intersil (*)	HGTD1N120BNS		1200	TO252AA		2.5V @1A	2.7A @110°C		NPT	SGD02N120
Intersil (*)	HGTP1N120BN		1200	TO220AB		2.5V @1A	2.7A @110°C		NPT	SGP02N120
Intersil (*)	HGTP1N120BND		1200	TO220AB		2.5V @1A	2.7A @110°C		anti-parallel diode	SKP02N120
Intersil (*)	HGT1S1N120BNDS		1200	TO263AB		2.5V @1A	2.7A @110°C		anti-parallel diode	SKB02N120
Intersil (*)	HGTP1N120CND		1200	TO220AB		2.05V @1A	3.2A @110°C		anti-parallel diode	SKP02N120
Intersil (*)	HGT1S1N120CNDS		1200	TO263AB		2.05V @1A	3.2A @110°C		anti-parallel diode	SKB02N120
Intersil (*)	HGTD1N120CNS		1200	TO252AA		2.05V @1A	3.2A @110°C		NPT	SGD02N120
Intersil (*)	HGTP1N120CN		1200	TO220AB		2.05V @1A	3.2A @110°C		NPT	SGP02N120
Intersil (*)	HGTP2N120BN		1200	TO220AB		2.45V @2.3A	5.6A @110°C		NPT	SGP07N120

Cross Reference List Fast IGBT & DuoPack

Company	Product Name	n-channel/ p-channel	Vce [V]	Package	Vgsth [V]	typ. VCE sat [V] @25°C	Ic@x°C [A]	Qgtotal @Vds @Id @Vgs	special features	Closest Siemens Equivalent
Intersil (*)	HGTD2N120BNS		1200	TO252AA		2.45V @2.3A	5.6A @110°C		NPT	no device
Intersil (*)	HGT1S2N120BNS		1200	TO263AB		2.45V @2.3A	5.6A @110°C		NPT	SGB07N120
Intersil (*)	HGTP2N120BND		1200	TO220AB		2.45V @2.3A	5.6A @110°C		anti-parallel diode	SKP07N120
Intersil (*)	HGT1S2N120BNDS		1200	TO263AB		2.45V @2.3A	5.6A @110°C		anti-parallel diode	SKB07N120
Intersil (*)	HGTD2N120CNS		1200	TO220AB		2.05V @2.6A	7A @110°C		NPT	SGP07N120
Intersil (*)	HGTP2N120CN		1200	TO252AA		2.05V @2.6A	7A @110°C		NPT	no device
Intersil (*)	HGT1S2N120CNS		1200	TO263AB		2.05V @2.6A	7A @110°C		NPT	SGB07N120
Intersil (*)	HGTP2N120CND		1200	TO220AB		2.05V @2.6A	7A @110°C		anti-parallel diode	no device
Intersil (*)	HGT1S2N120CNDS		1200	TO263AB		2.05V @2.6A	7A @110°C		anti-parallel diode	no device
Intersil (*)	HGTP5N120BN		1200	TO220AB		2.45V @5A	10A @110°C		NPT	SGP07N120/SGP15N120
Intersil (*)	HGT1S5N120BNS		1200	TO263AB		2.45V @5A	10A @110°C		NPT	SGB07N120/SGB15N120
Intersil (*)	HGTG5N120BND		1200	TO247		2.45V @5A	10A @110°C		anti-parallel diode	SKW07N120/SKW15N120
Intersil (*)	HGTP5N120BND		1200	TO220AB		2.45V @5A	10A @110°C		anti-parallel diode	no device
Intersil (*)	HGT1S5N120BNDS		1200	TO263AB		2.45V @5A	10A @110°C		anti-parallel diode	no device
Intersil (*)	HGTP5N120CN		1200	TO220AB		2.1V @5.5A	12A @110°C		NPT	SGP15N120
Intersil (*)	HGT1S5N120CNS		1200	TO263AB		2.1V @5.5A	12A @110°C		NPT	SGB15N120
Intersil (*)	HGTG5N120CND		1200	TO247		2.1V @5.5A	12A @110°C		anti-parallel diode	SKW15N120
Intersil (*)	HGTP5N120CND		1200	TO220AB		2.1V @5.5A	12A @110°C		anti-parallel diode	no device
Intersil (*)	HGT1S5N120CNDS		1200	TO263AB		2.1V @5.5A	12A @110°C		anti-parallel diode	no device
Intersil (*)	HGTG10N120BND		1200	TO247		2.45V @10A	17A @110°C		anti-parallel diode	SKW15N120
Intersil (*)	HGTG10N120BN		1200	TO247		2.45V @10A	17A @110°C		NPT	SGW15N120
Intersil (*)	HGTP10N120BN		1200	TO220AB		2.45V @10A	17A @110°C		NPT	SGP15N120
Intersil (*)	HGT1S10N120BNS		1200	TO263AB		2.45V @10A	17A @110°C		NPT	SGB15N120
Intersil (*)	HGTG11N120CND		1200	TO247		2.1V @11A	22A @110°C		anti-parallel diode	SKW25N120
Intersil (*)	HGTG11N120CN		1200	TO247		2.1V @11A	22A @110°C		NPT	SGW25N120
Intersil (*)	HGTP11N120CN		1200	TO220AB		2.1V @11A	22A @110°C		NPT	no device
Intersil (*)	HGT1S11N120CNS		1200	TO263AB		2.1V @11A	22A @110°C		NPT	no device
Intersil (*)	HGTG18N120BN		1200	TO247		2.45V @18A	26A @110°C		NPT	SGW25N120
Intersil (*)	HGTG18N120BND		1200	TO247		2.45V @18A	26A @110°C		anti-parallel diode	SGW25N120
Intersil (*)	HGTG20N120CN		1200	TO247		2.1V @20A	30A @110°C		NPT	no device
Intersil (*)	HGTG20N120CND		1200	TO247		2.1V @20A	30A @110°C		anti-parallel diode	no device
Intersil (*)	HGTG27N120BN		1200	TO247		2.45V @27A	27A @110°C		NPT	no device
Intersil (*)	HGTG30N120CN		1200	TO247		2.1V @40A	40A @110°C		NPT	no device
(*) previous Harris Power Products										
IR	IRG4BC20W		600	TO220		2.16	6.5A@100°C		Warp	SGP06N60
IR	IRG4BC30W		600	TO220		2.70	12A@100°C		Warp	SGP10N60,SGP15N60
IR	IRG4BC40W		600	TO220		2.05	20A@100°C		Warp	SGP20N60
IR	IRG4PC50W		600	TO247		2.3	27A@100°C		Warp	SGW30N60
IR	IRG4PC30W		600	TO247		2.7	12A@100°C		Warp	SGW10N60,SGW15N60

Cross Reference List Fast IGBT & DuoPack

Company	Product Name	n-channel/ p-channel	Vce [V]	Package	Vgsth [V]	typ. VCE sat [V] @25°C	Ic@x°C [A]	Qgtotal @Vds @Id @Vgs	special features	Closest Siemens Equivalent
IR	IRG4BC30W-S		600	TO220SMD		2.7	12A@100°C		Warp	SGB10N60,SGB15N60
IR	IRG4PC40W		600	TO247		2.05	20A@100°C		Warp	SGW20N60
IR	IRG4RC10UD		600	DPAK		2.15	5A@100°C		anti-parallel diode	no device
IR	IRG4RC10U		600	DPAK		2.15	5A@100°C		ultra-fast	SGD06N60
IR	IRG4BC10UD		600	TO220		2.15	5A@100°C		anti-parallel diode	SKP06N60
IR	IRG4BC20UD		600	TO220		1.85	6,5A@100°C		anti-parallel diode	SKP06N60
IR	IRG4BC20U		600	TO220		1.85	6,5A@100°C		ultra-fast	SGD06N60
IR	IRG4BC30UD		600	TO220		1.95	12A@100°C		anti-parallel diode	SKP10N60,SKP15N60
IR	IRG4BC30U		600	TO220		1.95	12A@100°C		ultra-fast	SGP10N60,SGP15N60
IR	IRG4PC30UD		600	TO247		1.95	12A@100°C		anti-parallel diode	SKW10N60,SKW15N60
IR	IRG4PC30U		600	TO247		1.95	12A@100°C		ultra-fast	SGW10N60,SGW15N60
IR	IRG4PC40UD		600	TO247		1.72	20A@100°C		anti-parallel diode	SKW20N60
IR	IRG4PC40U		600	TO247		1.72	20A@100°C		ultra-fast	SGW20N60
IR	IRG4BC40U		600	TO220		1.72	20A@100°C		ultra-fast	SGP20N60
IR	IRG4PC50UD		600	TO247		1.65	27A@100°C		anti-parallel diode	SKW30N60
IR	IRG4PC50U		600	TO247		1.65	27A@100°C		ultra-fast	SGW30N60
IR	IRG4ZC70UD		600	SMD10		1.5	50A@100°C		anti-parallel diode	no device
IR	IRG4PSC71UD		600	Super247		1.67	60A@100°C		anti-parallel diode	no device
IR	IRG4PSC71U		600	Super247		1.67	60A@100°C		ultra-fast	no device
IR	IRG4IBC10UD		600	TO220Fullpak		2.15	5A@100°C		anti-parallel diode	SKA06N60
IR	IRG4IBC20UD		600	TO220Fullpak		1.85	6,5A@100°C		anti-parallel diode	SKA06N60
IR	IRG4BC30U-S		600	TO220SMD		1.95	12A@100°C		ultra-fast	SGB10N60
IR	IRG4PH40UD		1200	TO247		2.65	16A@100°C		anti-parallel diode	SKW15N120
IR	IRG4PH40U		1200	TO247		2.65	16A@100°C		ultra-fast	SGW15N120
IR	IRG4PH50UD		1200	TO247		2.78	24A@100°C		anti-parallel diode	SKW25N120
IR	IRG4PH50U		1200	TO247		2.78	24A@100°C		ultra-fast	SGW25N120
Motorola	MGW12N120		1200	TO247		3.5 @ 5A, 125°C	12A @ 90°C			SGW15N120 / BUP314S
Motorola	MGW12N120D		1200	TO247		3.8 @ 5A, 125°C	12A @ 90°C		anti-parallel diode	SKW15N120 / BUP311D
Motorola	MGW20N120		1200	TO247		2.4 @ 10A, 125°C	20A @ 90°C			SGW25N120 / BUP314
Motorola	MGY20N120D		1200	TO264		2.4 @ 10A, 125°C	20A @ 90°C		anti-parallel diode	SKW25N120 / BUP314D
Motorola	MGY25N120		1200	TO264		2.2 @ 12,5A, 125°C	25A @ 90°C			SGW25N120 / BUP314
Motorola	MGY25N120D		1200	TO264		2.2 @ 12,5A, 125°C	25A @ 90°C		anti-parallel diode	SKW25N120 / BUP314D
Motorola	MGP11N60E		600	TO220		2.0 @ 8A, 125°C	11A @ 90°C			SGP10N60
Motorola	MGP11N60ED		600	TO220		2.0 @ 8A, 125°C	11A @ 90°C		anti-parallel diode	SKP10N60
Motorola	MGP14N60E		600	TO220		2.0 @ 10A, 125°C	14A @ 90°C			SGP15N60
Motorola	MGP15N60U		600	TO220		1.7 @ 8A, 125°C	15A @ 90°C			SGP15N60
Motorola	MGP20N60U		600	TO220		1.7 @ 10A, 125°C	20A @ 90°C			SGP20N60
Motorola	MGP21N60E		600	TO220		2.1 @ 20A, 125°C	21A @ 90°C			SGP20N60
Motorola	MGP4N60E		600	TO220		2.0 @ 3A, 125°C	4A @ 90°C			SGP04N60

Cross Reference List Fast IGBT & DuoPack

Company	Product Name	n-channel/ p-channel	Vce [V]	Package	Vgsth [V]	typ. VCE sat [V] @25°C	Ic@x°C [A]	Qgtotal @Vds @Id @Vgs	special features	Closest Siemens Equivalent
Motorola	MGP4N60ED		600	TO220		2.0 @ 3A, 125°C	4A @ 90°C		anti-parallel diode	SKP04N60
Motorola	MGP7N60E		600	TO220		2.0 @ 5A, 125°C	7A @ 90°C			SGP06N60
Motorola	MGP7N60ED		600	TO220		2.0 @ 5A, 125°C	7A @ 90°C		anti-parallel diode	SKP06N60
Motorola	MGW14N60ED		600	TO247		2.0 @ 10A, 125°C	14A @ 90°C		anti-parallel diode	SKW15N60
Motorola	MGW21N60ED		600	TO247		2.1 @ 20A, 125°C	21A @ 90°C		anti-parallel diode	SKW20N60
Motorola	MGW30N60		600	TO247		2.0 @ 125°C	30A @ 90°C			SGW30N60
Motorola	MGY40N60		600	TO264		2.1 @ 125°C	40A @ 90°C			no device
IXYS	IXGA10N60		600	TO263		2.5 @ 25°C	10 @ 90°C		HiPerFast-IGBT	SGB10N60 / BUP400
IXYS	IXGA12N60C		600	TO263		2.1 @ 25°C	12 @ 90°C			SGB10N60 / BUP400
IXYS	IXGA12N60CD1		600	TO263		2.1 @ 25°C	12 @ 90°C		anti-parallel diode	SKB10N60
IXYS	IXGA20N60B		600	TO263		1.7 @ 25°C	20 @ 90°C			SGB20N60 / BUP402
IXYS	IXGA7N60B		600	TO263		1.5 @ 25°C	7 @ 90°C			SGB06N60
IXYS	IXGA7N60C		600	TO263		2 @ 25°C	7 @ 90°C			SGB06N60
IXYS	IXGH10N60		600	TO247		2.5 @ 25°C	10 @ 90°C		HiPerFast-IGBT	SGW10N60
IXYS	IXGH12N60C		600	TO247		2.1 @ 25°C	12 @ 90°C			SGW10N60
IXYS	IXGH20N60		600	TO247		2.5 @ 25°C	20 @ 90°C		HiPerFast-IGBT	SGB20N60 / BUP402
IXYS	IXGH20N60A		600	TO247		3 @ 25°C	20 @ 90°C			SGW20N60 / BUP313
IXYS	IXGH20N60B		600	TO247		1.7 @ 25°C	20 @ 90°C			SGW20N60 / BUP313
IXYS	IXGH20N60BD1		600	TO247		1.7 @ 25°C	20 @ 90°C		anti-parallel diode	SKW20N60
IXYS	IXGH28N60B		600	TO247		2 @ 25°C	28 @ 90°C		HiPerFast-IGBT	SGB30N60 / BUP403
IXYS	IXGH28N60D1		600	TO247		2 @ 25°C	28 @ 90°C		anti-parallel diode	SKW30N60 / BUP603D
IXYS	IXGH30N60		600	TO247		1.8 @ 25°C	30 @ 90°C		HiPerFast-IGBT	SGW30N60
IXYS	IXGH31N60		600	TO247		1.7 @ 25°C	31 @ 90°C		HiPerFast-IGBT	SGW30N60
IXYS	IXGH31N60D1		600	TO247		1.7 @ 25°C	31 @ 90°C		anti-parallel diode	SKW30N60 / BUP603D
IXYS	IXGH38N60		600	TO247		1.8 @ 25°C	38 @ 90°C		HiPerFast-IGBT	BUP604
IXYS	IXGH40N60		600	TO247		2.5 @ 25°C	40 @ 90°C		HiPerFast-IGBT	BUP604
IXYS	IXGH41N60		600	TO247		1.6 @ 25°C	41 @ 90°C		HiPerFast-IGBT	BUP604
IXYS	IXGH50N60B		600	TO247			50 @ 90°C			BUP604
IXYS	IXGH60N60		600	TO247		1.6 @ 25°C	60 @ 90°C		HiPerFast-IGBT	no device
IXYS	IXGK60N60		600	TO264		1.6 @ 25°C	60 @ 90°C		HiPerFast-IGBT	no device
IXYS	IXGM20N60		600	TO204		2.5 @ 25°C	20 @ 90°C		HiPerFast-IGBT	no device
IXYS	IXGM20N60A		600	TO204		3 @ 25°C	20 @ 90°C			no device
IXYS	IXGM28N60B		600	TO204		2 @ 25°C	28 @ 90°C		HiPerFast-IGBT	no device
IXYS	IXGM30N60		600	TO204		1.8 @ 25°C	30 @ 90°C		HiPerFast-IGBT	no device
IXYS	IXGM40N60		600	TO204		2.5 @ 25°C	40 @ 90°C		HiPerFast-IGBT	no device
IXYS	IXGP10N60		600	TO220		2.5 @ 25°C	10 @ 90°C		HiPerFast-IGBT	SGP10N60 / BUP400
IXYS	IXGP12N60C		600	TO220		2.1 @ 25°C	12 @ 90°C			SGP10N60 / BUP400
IXYS	IXGP12N60CD1		600	TO220		2.1 @ 25°C	12 @ 90°C		anti-parallel diode	SKP10N60
IXYS	IXGP20N60B		600	TO220		1.7 @ 25°C	20 @ 90°C			SGP20N60 / BUP402

Cross Reference List Fast IGBT & DuoPack

Company	Product Name	n-channel/ p-channel	Vce [V]	Package	Vgsth [V]	typ. VCE sat [V] @25°C	Ic@x°C [A]	Qgtotal @Vds @Id @Vgs	special features	Closest Siemens Equivalent
IXYS	IXGP7N60B		600	TO220		1.5 @ 25°C	7 @ 90°C			SGP06N60
IXYS	IXGP7N60C		600	TO220		2 @ 25°C	7 @ 90°C			SGP06N60
IXYS	IXGT20N60BD1		600	TO268		1.7 @ 25°C	20 @ 90°C		anti-parallel diode	no device
IXYS	IXGT28N60D1		600	TO268		2 @ 25°C	28 @ 90°C		anti-parallel diode	no device
IXYS	IXGT31N60		600	TO268		1.7 @ 25°C	31 @ 90°C		HiPerFast-IGBT	no device
IXYS	IXGT31N60D1		600	TO268		1.7 @ 25°C	31 @ 90°C		anti-parallel diode	no device
IXYS	IXGT60N60		600	TO268		1.6 @ 25°C	60 @ 90°C		HiPerFast-IGBT	no device
IXYS	IXSA12N60AU1		600	TO263		2.5 @ 25°C	12 @ 90°C		anti-parallel diode	SKB10N60 / BUP400D
IXYS	IXSA16N60		600	TO263		1.8 @ 25°C	16 @ 90°C			SGB15N60 / BUP401
IXYS	IXSH10N60A		600	TO247		3 @ 25°C	10 @ 90°C			SGW10N60
IXYS	IXSH16N60U1		600	TO247		1.8 @ 25°C	16 @ 90°C		anti-parallel diode	SKW15N60
IXYS	IXSH20N60AU1		600	TO247		3 @ 25°C	20 @ 90°C		anti-parallel diode	SKW20N60 / BUP602D
IXYS	IXSH24N60		600	TO247		2.2 @ 25°C	24 @ 90°C		HiPerFast-IGBT	SGW20N60
IXYS	IXSH24N60A		600	TO247		2.7 @ 25°C	24 @ 90°C		HiPerFast-IGBT	SGW20N60
IXYS	IXSH24N60U1		600	TO247		2.2 @ 25°C	24 @ 90°C		anti-parallel diode	SKW20N60 / BUP602D
IXYS	IXSH30N60		600	TO247		2.5 @ 25°C	30 @ 90°C			SGW30N60
IXYS	IXSH30N60U1		600	TO247		2.5 @ 25°C	30 @ 90°C		anti-parallel diode	SKW30N60 / BUP603D
IXYS	IXSH40N60		600	TO247		2.5 @ 25°C	40 @ 90°C			BUP604
IXYS	IXSP16N60		600	TO220		1.8 @ 25°C	16 @ 90°C			SGP15N60 / BUP401
IXYS	IXDA20N120AS		1200	TO263		2.8 @ 25°C	21 @ 90°C			SGW25N120
IXYS	IXDH20N120		1200	TO247		2.4 @ 25°C	25 @ 90°C			SGW25N120 / BUP314
IXYS	IXDH20N120D1		1200	TO247		2.4 @ 25°C	25 @ 90°C		anti-parallel diode	SKW25N120 / BUP314D
IXYS	IXDH30N120AU1		1200	TO247		2.5 @ 25°C	31 @ 90°C		anti-parallel diode	SKW25N120 / BUP314D
IXYS	IXDT30N120AU1		1200	TO268		2.5 @ 25°C	31 @ 90°C		anti-parallel diode	SKW25N120 / BUP314D
IXYS	IXGH25N120		1200	TO247		3.5 @ 25°C	25 @ 90°C			SGW25N120
IXYS	IXGH25N120A		1200	TO247		4 @ 25°C	25 @ 90°C			SGW25N120
IXYS	IXGH25N120AU1		1200	TO247			25 @ 90°C		anti-parallel diode	SKW25N120
IXYS	IXSH10N120A		1200	TO247			30 @ 90°C			SGW30N60
IXYS	IXSH10N120AU1		1200	TO247		4 @ 25°C	10 @ 90°C		anti-parallel diode	SKW07N120
IXYS	IXSH15N120A		1200	TO247		4 @ 25°C	15 @ 90°C			SGW15N120 / BUP314S
IXYS	IXSH15N120AU1		1200	TO247		4 @ 25°C	15 @ 90°C		anti-parallel diode	SKW15N120 / BUP313D
IXYS	IXSH25N120A		1200	TO247		4 @ 25°C	25 @ 90°C			SGW25N120 / BUP314
IXYS	IXSH25N120AU1		1200	TO247		4 @ 25°C	25 @ 90°C		anti-parallel diode	SKW25N120 / BUP314D
IXYS	IXSH45N120		1200	TO247		3 @ 25°C	45 @ 90°C			no device

IGBT, Wechselrichter / IGBT, Inverter

**Vorläufige Daten
Preliminary Data**

Höchstzulässige Werte / Maximum Rated Values

Kollektor-Emitter-Sperrspannung Collector-emitter voltage	$T_{vj} = 25^{\circ}\text{C}$	V_{CES}	1200	V
Kollektor-Dauergleichstrom Continuous DC collector current	$T_C = 65^{\circ}\text{C}, T_{vj\text{max}} = 150^{\circ}\text{C}$ $T_C = 25^{\circ}\text{C}, T_{vj\text{max}} = 150^{\circ}\text{C}$	$I_{C\text{nom}}$ I_C	75 100	A A
Periodischer Kollektor-Spitzenstrom Repetitive peak collector current	$t_P = 1\text{ ms}$	I_{CRM}	150	A
Gesamt-Verlustleistung Total power dissipation	$T_C = 25^{\circ}\text{C}, T_{vj\text{max}} = 150$	P_{tot}	500	W
Gate-Emitter-Spitzenspannung Gate-emitter peak voltage		V_{GES}	+/-20	V

Charakteristische Werte / Characteristic Values

			min.	typ.	max.	
Kollektor-Emitter-Sättigungsspannung Collector-emitter saturation voltage	$I_C = 75\text{ A}, V_{GE} = 15\text{ V}$ $I_C = 75\text{ A}, V_{GE} = 15\text{ V}$	$T_{vj} = 25^{\circ}\text{C}$ $T_{vj} = 125^{\circ}\text{C}$	$V_{CE\text{sat}}$	3,20 3,85	3,75	V V
Gate-Schwellenspannung Gate threshold voltage	$I_C = 3,00\text{ mA}, V_{CE} = V_{GE}, T_{vj} = 25^{\circ}\text{C}$		$V_{G\text{Eth}}$	4,5	5,5	6,5 V
Gateladung Gate charge	$V_{GE} = -15\text{ V} \dots +15\text{ V}$		Q_G	0,80		μC
Interner Gatewiderstand Internal gate resistor	$T_{vj} = 25^{\circ}\text{C}$		$R_{G\text{int}}$	5,0		Ω
Eingangskapazität Input capacitance	$f = 1\text{ MHz}, T_{vj} = 25^{\circ}\text{C}, V_{CE} = 25\text{ V}, V_{GE} = 0\text{ V}$		C_{ies}	5,10		nF
Rückwirkungskapazität Reverse transfer capacitance	$f = 1\text{ MHz}, T_{vj} = 25^{\circ}\text{C}, V_{CE} = 25\text{ V}, V_{GE} = 0\text{ V}$		C_{res}	0,30		nF
Kollektor-Emitter-Reststrom Collector-emitter cut-off current	$V_{CE} = 1200\text{ V}, V_{GE} = 0\text{ V}, T_{vj} = 25^{\circ}\text{C}$		I_{CES}		5,0	mA
Gate-Emitter-Reststrom Gate-emitter leakage current	$V_{CE} = 0\text{ V}, V_{GE} = 20\text{ V}, T_{vj} = 25^{\circ}\text{C}$		I_{GES}		400	nA
Einschaltverzögerungszeit, induktive Last Turn-on delay time, inductive load	$I_C = 75\text{ A}, V_{CE} = 600\text{ V}$ $V_{GE} = \pm 15\text{ V}$ $R_{Gon} = 7,5\ \Omega$	$T_{vj} = 25^{\circ}\text{C}$ $T_{vj} = 125^{\circ}\text{C}$	$t_{d\text{on}}$	0,12 0,13		μs μs
Anstiegszeit, induktive Last Rise time, inductive load	$I_C = 75\text{ A}, V_{CE} = 600\text{ V}$ $V_{GE} = \pm 15\text{ V}$ $R_{Gon} = 7,5\ \Omega$	$T_{vj} = 25^{\circ}\text{C}$ $T_{vj} = 125^{\circ}\text{C}$	t_r	0,05 0,06		μs μs
Abschaltverzögerungszeit, induktive Last Turn-off delay time, inductive load	$I_C = 75\text{ A}, V_{CE} = 600\text{ V}$ $V_{GE} = \pm 15\text{ V}$ $R_{Goff} = 7,5\ \Omega$	$T_{vj} = 25^{\circ}\text{C}$ $T_{vj} = 125^{\circ}\text{C}$	$t_{d\text{off}}$	0,31 0,36		μs μs
Fallzeit, induktive Last Fall time, inductive load	$I_C = 75\text{ A}, V_{CE} = 600\text{ V}$ $V_{GE} = \pm 15\text{ V}$ $R_{Goff} = 7,5\ \Omega$	$T_{vj} = 25^{\circ}\text{C}$ $T_{vj} = 125^{\circ}\text{C}$	t_f	0,02 0,03		μs μs
Einschaltverlustenergie pro Puls Turn-on energy loss per pulse	$I_C = 75\text{ A}, V_{CE} = 600\text{ V}, L_S = 30\text{ nH}$ $V_{GE} = \pm 15\text{ V}$ $R_{Gon} = 7,5\ \Omega$	$T_{vj} = 25^{\circ}\text{C}$ $T_{vj} = 125^{\circ}\text{C}$	E_{on}	9,00		mJ mJ
Abschaltverlustenergie pro Puls Turn-off energy loss per pulse	$I_C = 75\text{ A}, V_{CE} = 600\text{ V}, L_S = 30\text{ nH}$ $V_{GE} = \pm 15\text{ V}$ $R_{Goff} = 7,5\ \Omega$	$T_{vj} = 25^{\circ}\text{C}$ $T_{vj} = 125^{\circ}\text{C}$	E_{off}	3,80		mJ mJ
Kurzschlußverhalten SC data	$V_{GE} \leq 15\text{ V}, V_{CC} = 900\text{ V}$ $V_{CE\text{max}} = V_{CES} - L_{SCE} \cdot di/dt$	$t_P \leq 10\ \mu\text{s}, T_{vj} = 125^{\circ}\text{C}$	I_{SC}	450		A
Wärmewiderstand, Chip bis Gehäuse Thermal resistance, junction to case	pro IGBT / per IGBT		R_{thJC}		0,25	K/W
Temperatur im Schaltbetrieb Temperature under switching conditions			$T_{vj\text{op}}$	-40	125	$^{\circ}\text{C}$

prepared by: MK	date of publication: 2013-10-03
approved by: RS	revision: 2.0

**Vorläufige Daten
Preliminary Data**

**Diode, Wechselrichter / Diode, Inverter
Höchstzulässige Werte / Maximum Rated Values**

Periodische Spitzensperrspannung Repetitive peak reverse voltage	$T_{vj} = 25^{\circ}\text{C}$	V_{RRM}	1200	V
Dauergleichstrom Continuous DC forward current		I_F	75	A
Periodischer Spitzenstrom Repetitive peak forward current	$t_P = 1\text{ ms}$	I_{FRM}	150	A
Grenzlastintegral I^2t - value	$V_R = 0\text{ V}, t_P = 10\text{ ms}, T_{vj} = 125^{\circ}\text{C}$	I^2t	2450	A^2s

Charakteristische Werte / Characteristic Values

			min.	typ.	max.	
Durchlassspannung Forward voltage	$I_F = 75\text{ A}, V_{GE} = 0\text{ V}$ $I_F = 75\text{ A}, V_{GE} = 0\text{ V}$	$T_{vj} = 25^{\circ}\text{C}$ $T_{vj} = 125^{\circ}\text{C}$	V_F	2,00 1,70	2,55	V V
Rückstromspitze Peak reverse recovery current	$I_F = 75\text{ A}, -di_F/dt = 1800\text{ A}/\mu\text{s} (T_{vj}=125^{\circ}\text{C})$ $V_R = 600\text{ V}$ $V_{GE} = -15\text{ V}$	$T_{vj} = 25^{\circ}\text{C}$ $T_{vj} = 125^{\circ}\text{C}$	I_{RM}	43,0 62,0		A A
Sperrverzögerungsladung Recovered charge	$I_F = 75\text{ A}, -di_F/dt = 1800\text{ A}/\mu\text{s} (T_{vj}=125^{\circ}\text{C})$ $V_R = 600\text{ V}$ $V_{GE} = -15\text{ V}$	$T_{vj} = 25^{\circ}\text{C}$ $T_{vj} = 125^{\circ}\text{C}$	Q_r	4,50 13,0		μC μC
Abschaltenergie pro Puls Reverse recovery energy	$I_F = 75\text{ A}, -di_F/dt = 1800\text{ A}/\mu\text{s} (T_{vj}=125^{\circ}\text{C})$ $V_R = 600\text{ V}$ $V_{GE} = -15\text{ V}$	$T_{vj} = 25^{\circ}\text{C}$ $T_{vj} = 125^{\circ}\text{C}$	E_{rec}	1,70 4,70		mJ mJ
Wärmewiderstand, Chip bis Gehäuse Thermal resistance, junction to case	pro Diode / per diode		R_{thJC}		0,55	K/W
Temperatur im Schaltbetrieb Temperature under switching conditions			$T_{vj\text{ op}}$	-40	125	$^{\circ}\text{C}$

NTC-Widerstand / NTC-Thermistor

Charakteristische Werte / Characteristic Values

			min.	typ.	max.	
Nennwiderstand Rated resistance	$T_C = 25^{\circ}\text{C}$		R_{25}	5,00		k Ω
Abweichung von R100 Deviation of R100	$T_C = 100^{\circ}\text{C}, R_{100} = 493\ \Omega$		$\Delta R/R$	-5	5	%
Verlustleistung Power dissipation	$T_C = 25^{\circ}\text{C}$		P_{25}		20,0	mW
B-Wert B-value	$R_2 = R_{25} \exp [B_{25/50}(1/T_2 - 1/(298,15\text{ K}))]$		$B_{25/50}$	3375		K
B-Wert B-value	$R_2 = R_{25} \exp [B_{25/80}(1/T_2 - 1/(298,15\text{ K}))]$		$B_{25/80}$	t.b.d.		K
B-Wert B-value	$R_2 = R_{25} \exp [B_{25/100}(1/T_2 - 1/(298,15\text{ K}))]$		$B_{25/100}$	t.b.d.		K

Angaben gemäß gültiger Application Note.
Specification according to the valid application note.

prepared by: MK	date of publication: 2013-10-03
approved by: RS	revision: 2.0



**Vorläufige Daten
Preliminary Data**

Modul / Module

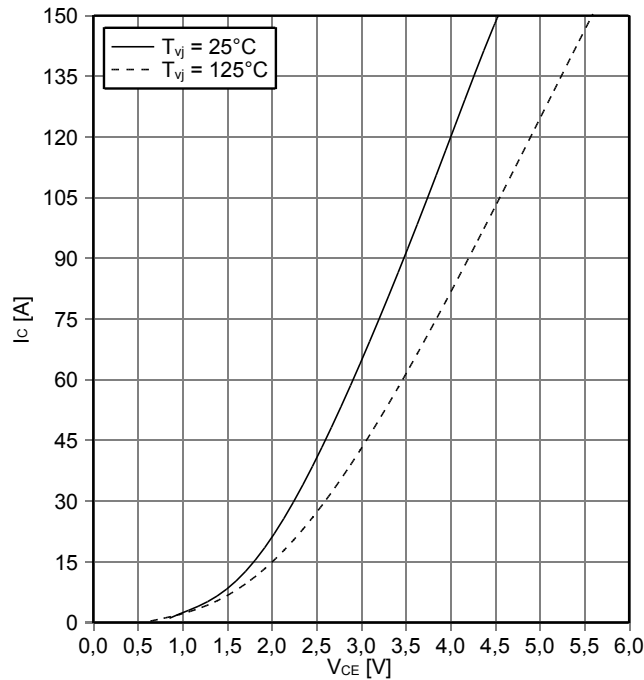
Isolations-Prüfspannung Isolation test voltage	RMS, f = 50 Hz, t = 1 min.	V _{ISOL}	2,5		kV
Material Modulgrundplatte Material of module baseplate			Cu		
Innere Isolation Internal isolation	Basisisolierung (Schutzklasse 1, EN61140) basic insulation (class 1, IEC 61140)		Al ₂ O ₃		
Kriechstrecke Creepage distance	Kontakt - Kühlkörper / terminal to heatsink Kontakt - Kontakt / terminal to terminal		10,0		mm
Luftstrecke Clearance	Kontakt - Kühlkörper / terminal to heatsink Kontakt - Kontakt / terminal to terminal		7,5		mm
Vergleichszahl der Kriechwegbildung Comperative tracking index		CTI	> 225		
			min.	typ.	max.
Wärmewiderstand, Gehäuse bis Kühlkörper Thermal resistance, case to heatsink	pro Modul / per module $\lambda_{\text{Paste}} = 1 \text{ W/(m}\cdot\text{K)} / \lambda_{\text{grease}} = 1 \text{ W/(m}\cdot\text{K)}$	R _{thCH}		0,02	K/W
Modulstreuintuktivität Stray inductance module		L _{sCE}		30	nH
Modulleitungswiderstand, Anschlüsse - Chip Module lead resistance, terminals - chip	T _c = 25°C, pro Schalter / per switch	R _{CC+EE'}		2,20	mΩ
Lagertemperatur Storage temperature		T _{stg}	-40		125 °C
Anzugsdrehmoment f. Modulmontage Mounting torque for modul mounting	Schraube M5 - Montage gem. gültiger Applikationsschrift Screw M5 - Mounting according to valid application note	M	3,00	-	6,00 Nm
Gewicht Weight		G		180	g

prepared by: MK	date of publication: 2013-10-03
approved by: RS	revision: 2.0

Vorläufige Daten
Preliminary Data

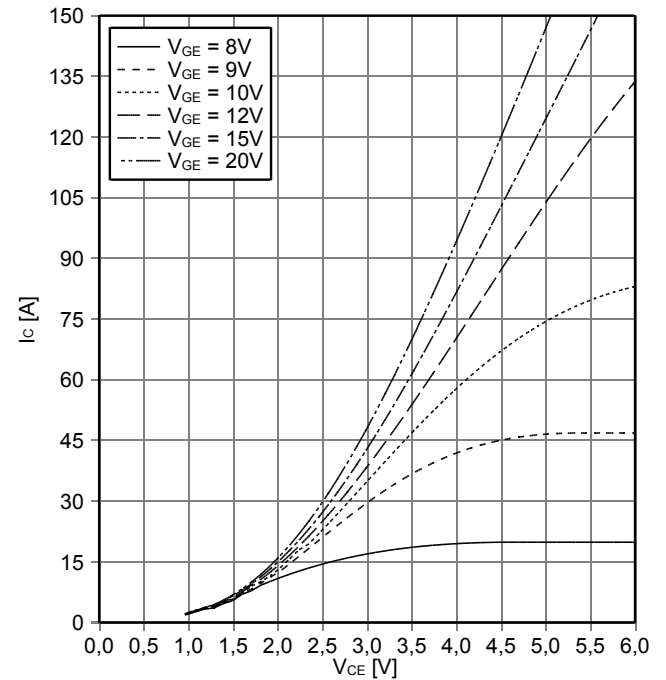
Ausgangskennlinie IGBT, Wechselrichter (typisch)
output characteristic IGBT, Inverter (typical)

$I_C = f(V_{CE})$
 $V_{GE} = 15\text{ V}$



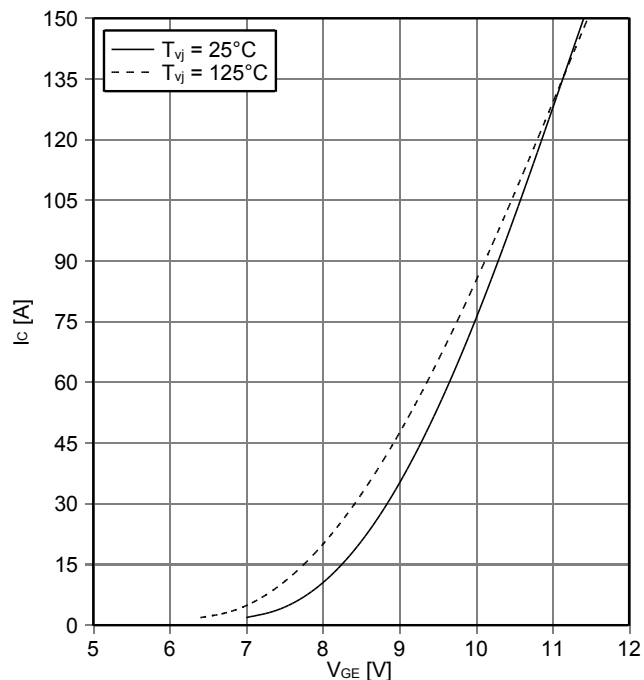
Ausgangskennlinienfeld IGBT, Wechselrichter (typisch)
output characteristic IGBT, Inverter (typical)

$I_C = f(V_{CE})$
 $T_{vj} = 125^\circ\text{C}$



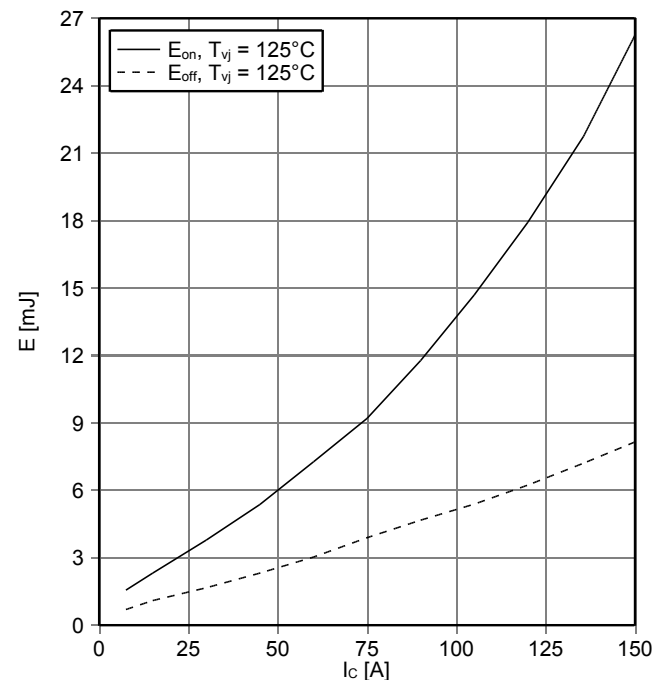
Übertragungscharakteristik IGBT, Wechselrichter (typisch)
transfer characteristic IGBT, Inverter (typical)

$I_C = f(V_{GE})$
 $V_{CE} = 20\text{ V}$



Schaltverluste IGBT, Wechselrichter (typisch)
switching losses IGBT, Inverter (typical)

$E_{on} = f(I_C), E_{off} = f(I_C)$
 $V_{GE} = \pm 15\text{ V}, R_{Gon} = 7.5\ \Omega, R_{Goff} = 7.5\ \Omega, V_{CE} = 600\text{ V}$



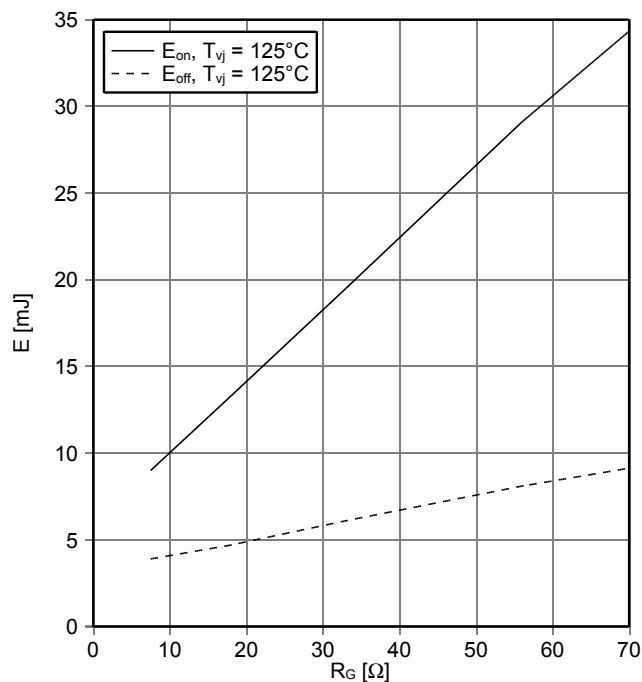
prepared by: MK	date of publication: 2013-10-03
approved by: RS	revision: 2.0



Vorläufige Daten Preliminary Data

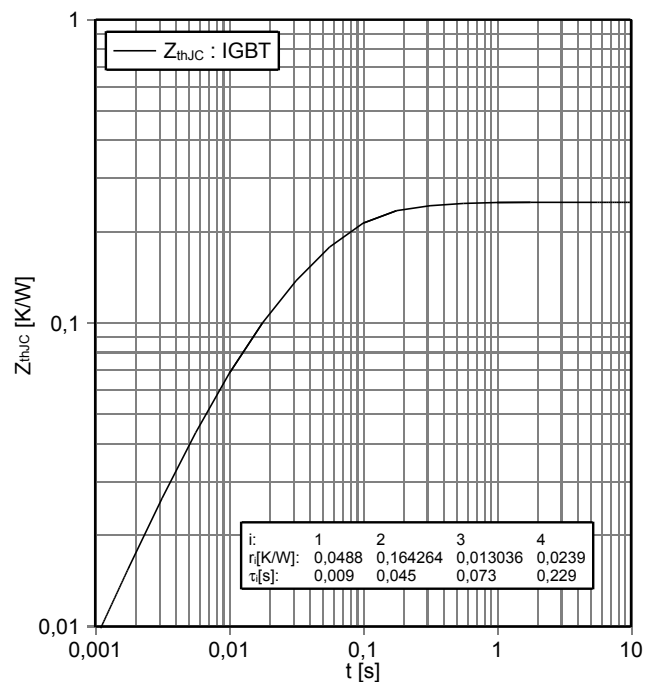
Schaltverluste IGBT, Wechselrichter (typisch) switching losses IGBT, Inverter (typical)

$E_{on} = f(R_G), E_{off} = f(R_G)$
 $V_{GE} = \pm 15\text{ V}, I_C = 75\text{ A}, V_{CE} = 600\text{ V}$



Transienter Wärmewiderstand IGBT, Wechselrichter transient thermal impedance IGBT, Inverter

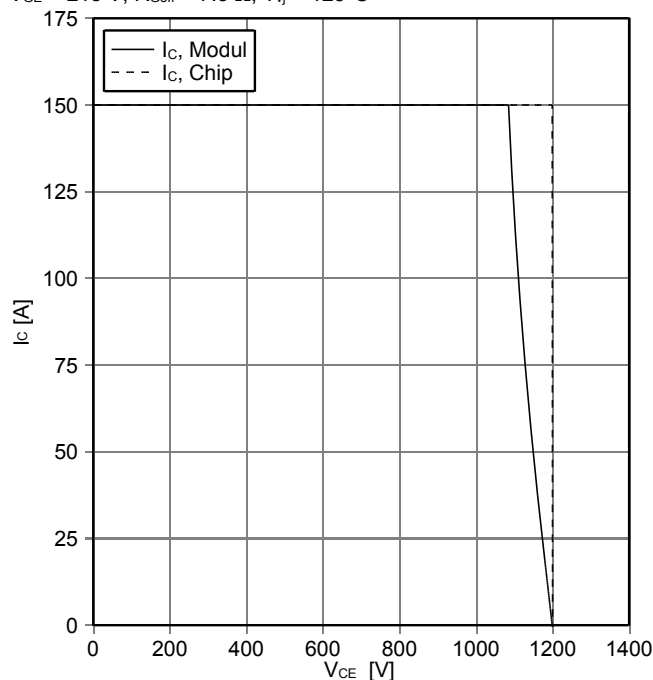
$Z_{thJC} = f(t)$



Sicherer Rückwärts-Arbeitsbereich IGBT, Wechselrichter (RBSOA)

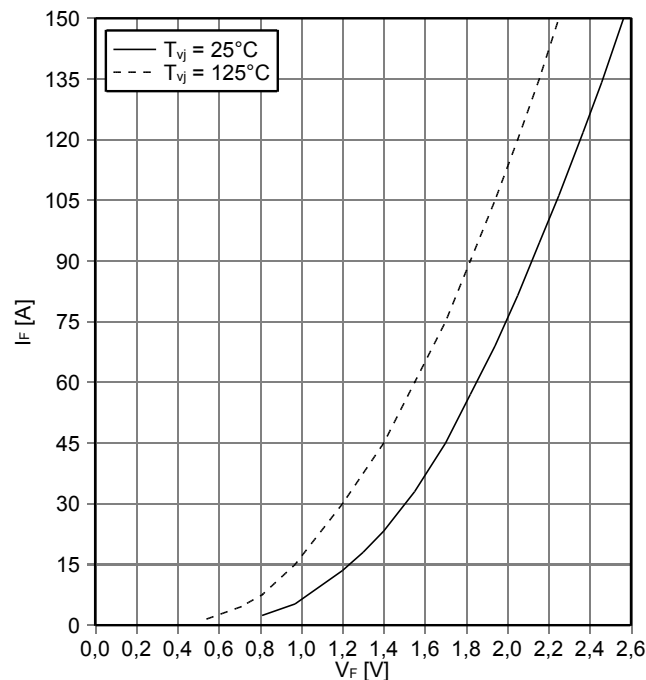
reverse bias safe operating area IGBT, Inverter (RBSOA)

$I_C = f(V_{CE})$
 $V_{GE} = \pm 15\text{ V}, R_{Goff} = 7.5\ \Omega, T_{vj} = 125^\circ\text{C}$



Durchlasskennlinie der Diode, Wechselrichter (typisch) forward characteristic of Diode, Inverter (typical)

$I_F = f(V_F)$



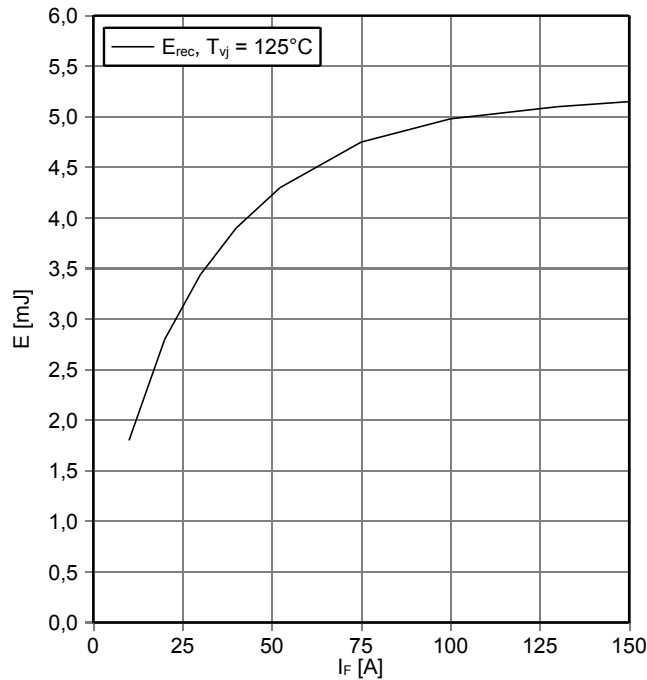
prepared by: MK	date of publication: 2013-10-03
approved by: RS	revision: 2.0



Vorläufige Daten Preliminary Data

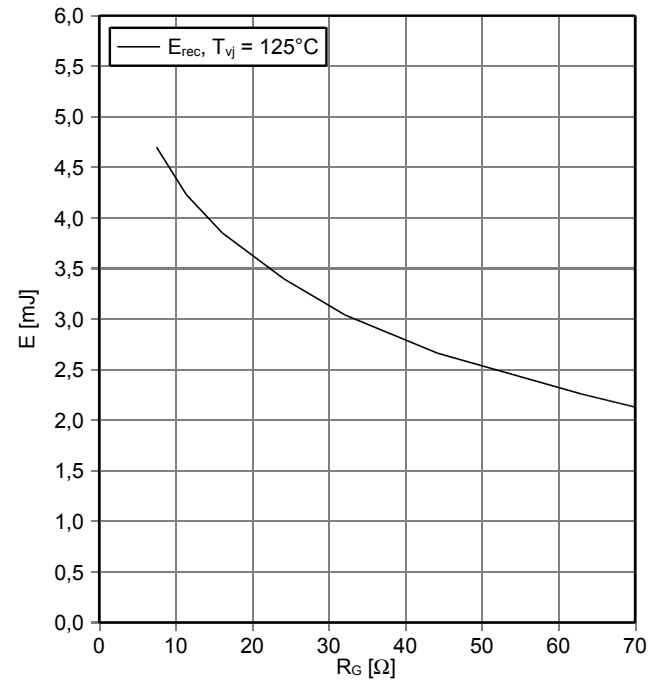
Schaltverluste Diode, Wechselrichter (typisch) switching losses Diode, Inverter (typical)

$E_{rec} = f(I_F)$
 $R_{Gon} = 7.5 \Omega, V_{CE} = 600 V$



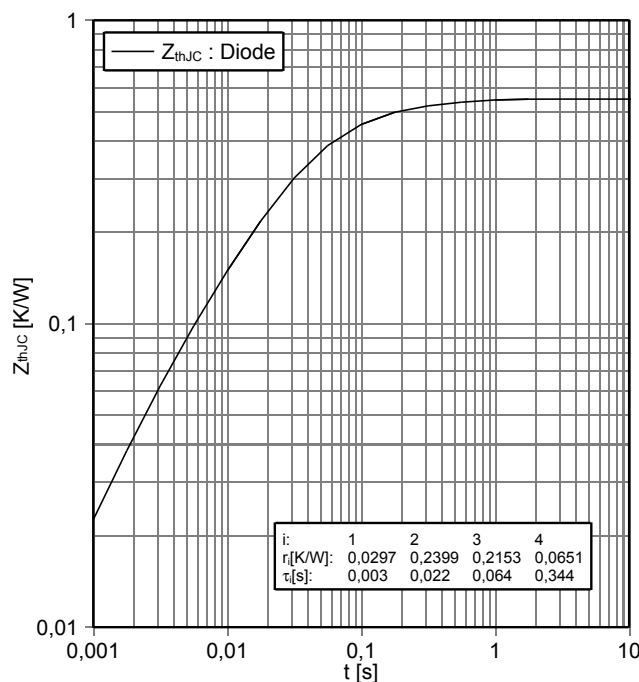
Schaltverluste Diode, Wechselrichter (typisch) switching losses Diode, Inverter (typical)

$E_{rec} = f(R_G)$
 $I_F = 75 A, V_{CE} = 600 V$



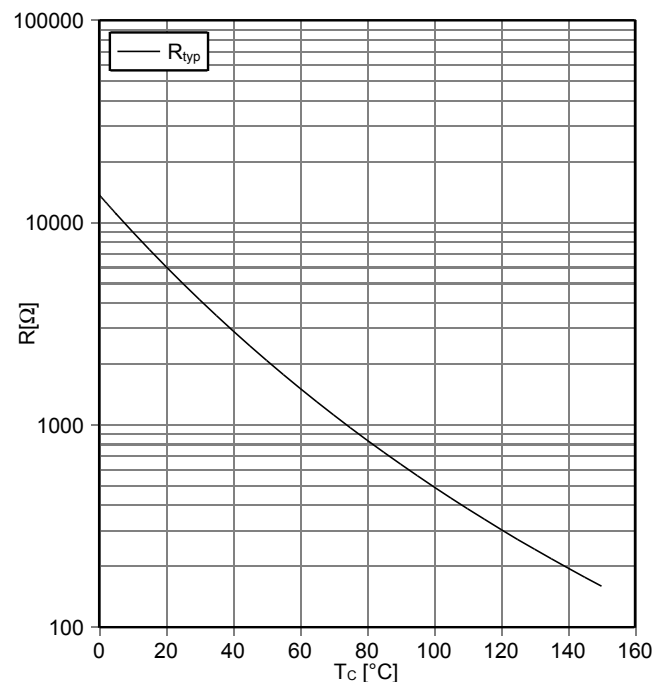
Transienter Wärmewiderstand Diode, Wechselrichter transient thermal impedance Diode, Inverter

$Z_{thJC} = f(t)$



NTC-Widerstand-Temperaturkennlinie (typisch) NTC-Thermistor-temperature characteristic (typical)

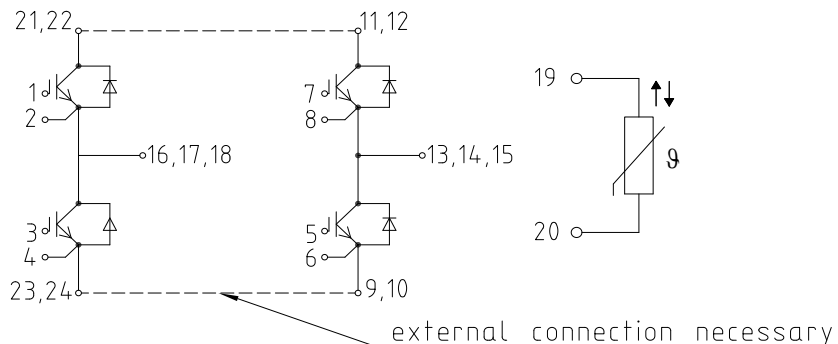
$R = f(T)$



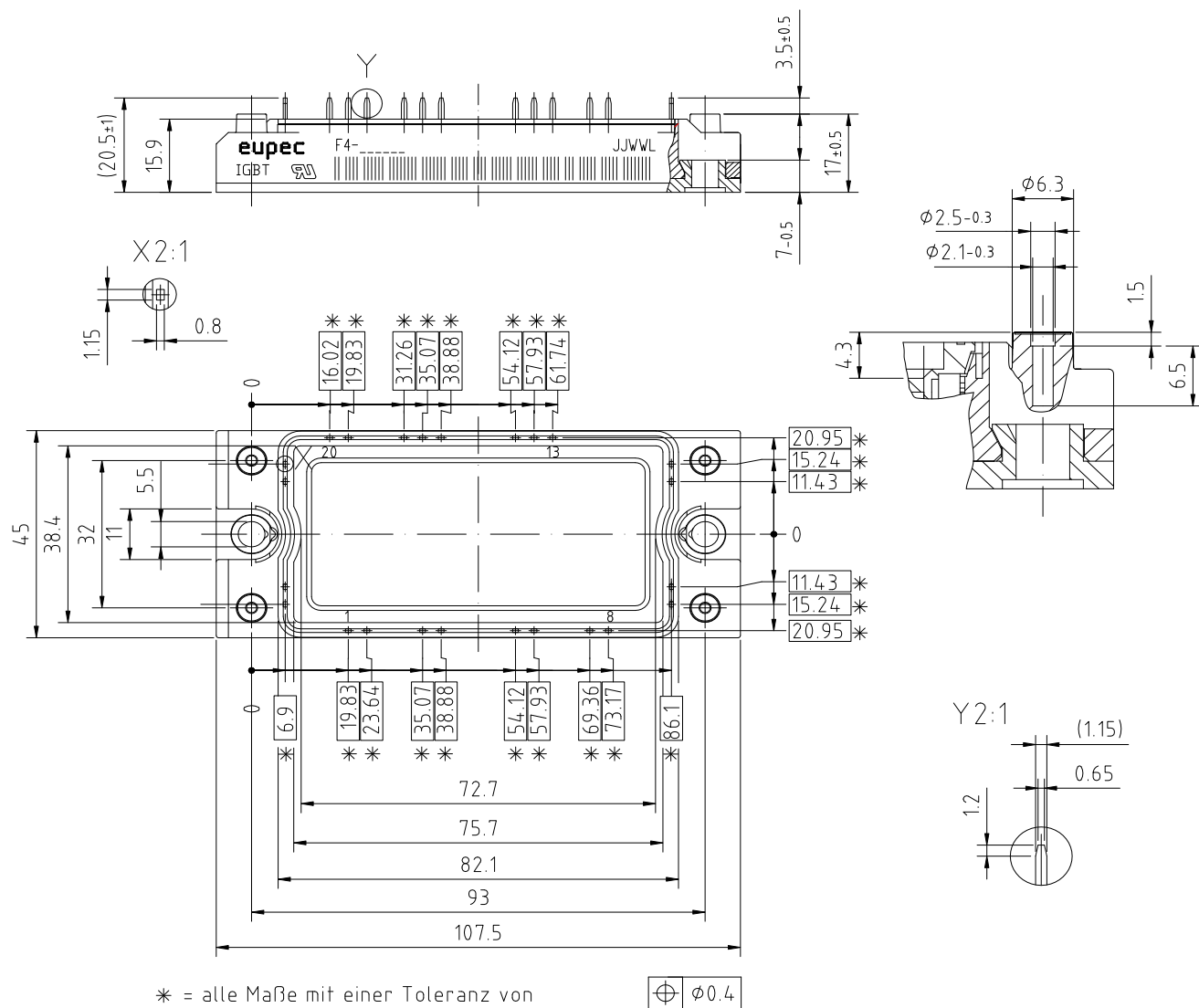
prepared by: MK	date of publication: 2013-10-03
approved by: RS	revision: 2.0

Vorläufige Daten
Preliminary Data

Schaltplan / circuit_diagram_headline



Gehäuseabmessungen / package outlines



prepared by: MK	date of publication: 2013-10-03
approved by: RS	revision: 2.0



**Vorläufige Daten
Preliminary Data**

Nutzungsbedingungen

Die in diesem Produktdatenblatt enthaltenen Daten sind ausschließlich für technisch geschultes Fachpersonal bestimmt. Die Beurteilung der Eignung dieses Produktes für Ihre Anwendung sowie die Beurteilung der Vollständigkeit der bereitgestellten Produktdaten für diese Anwendung obliegt Ihnen bzw. Ihren technischen Abteilungen.

In diesem Produktdatenblatt werden diejenigen Merkmale beschrieben, für die wir eine liefervertragliche Gewährleistung übernehmen. Eine solche Gewährleistung richtet sich ausschließlich nach Maßgabe der im jeweiligen Liefervertrag enthaltenen Bestimmungen. Garantien jeglicher Art werden für das Produkt und dessen Eigenschaften keinesfalls übernommen. Die Angaben in den gültigen Anwendungs- und Montagehinweisen des Moduls sind zu beachten.

Sollten Sie von uns Produktinformationen benötigen, die über den Inhalt dieses Produktdatenblatts hinausgehen und insbesondere eine spezifische Verwendung und den Einsatz dieses Produktes betreffen, setzen Sie sich bitte mit dem für Sie zuständigen Vertriebsbüro in Verbindung (siehe www.infineon.com, Vertrieb&Kontakt). Für Interessenten halten wir Application Notes bereit.

Aufgrund der technischen Anforderungen könnte unser Produkt gesundheitsgefährdende Substanzen enthalten. Bei Rückfragen zu den in diesem Produkt jeweils enthaltenen Substanzen setzen Sie sich bitte ebenfalls mit dem für Sie zuständigen Vertriebsbüro in Verbindung.

Sollten Sie beabsichtigen, das Produkt in Anwendungen der Luftfahrt, in gesundheits- oder lebensgefährdenden oder lebenserhaltenden Anwendungsbereichen einzusetzen, bitten wir um Mitteilung. Wir weisen darauf hin, dass wir für diese Fälle

- die gemeinsame Durchführung eines Risiko- und Qualitätsassessments;
- den Abschluss von speziellen Qualitätssicherungsvereinbarungen;
- die gemeinsame Einführung von Maßnahmen zu einer laufenden Produktbeobachtung dringend empfehlen und gegebenenfalls die Belieferung von der Umsetzung solcher Maßnahmen abhängig machen.

Soweit erforderlich, bitten wir Sie, entsprechende Hinweise an Ihre Kunden zu geben.

Inhaltliche Änderungen dieses Produktdatenblatts bleiben vorbehalten.

Terms & Conditions of usage

The data contained in this product data sheet is exclusively intended for technically trained staff. You and your technical departments will have to evaluate the suitability of the product for the intended application and the completeness of the product data with respect to such application.

This product data sheet is describing the characteristics of this product for which a warranty is granted. Any such warranty is granted exclusively pursuant the terms and conditions of the supply agreement. There will be no guarantee of any kind for the product and its characteristics. The information in the valid application- and assembly notes of the module must be considered.

Should you require product information in excess of the data given in this product data sheet or which concerns the specific application of our product, please contact the sales office, which is responsible for you (see www.infineon.com). For those that are specifically interested we may provide application notes.

Due to technical requirements our product may contain dangerous substances. For information on the types in question please contact the sales office, which is responsible for you.

Should you intend to use the Product in aviation applications, in health or live endangering or life support applications, please notify. Please note, that for any such applications we urgently recommend

- to perform joint Risk and Quality Assessments;
- the conclusion of Quality Agreements;
- to establish joint measures of an ongoing product survey, and that we may make delivery depended on the realization of any such measures.

If and to the extent necessary, please forward equivalent notices to your customers.

Changes of this product data sheet are reserved.

prepared by: MK	date of publication: 2013-10-03
approved by: RS	revision: 2.0

Модули, IGBT, Еурес, Infineon, купить в Минске tel. +375447584780
www.fotorele.net www.tiristor.by радиодетали, электронные компоненты
email minsk17@tut.by tel.+375 29 758 47 80 МТС

каталог, описание, технические, характеристики, datasheet, параметры, маркировка, габариты, фото

QR код

